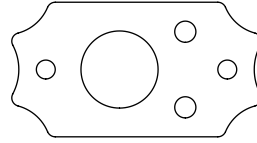


model

actual size

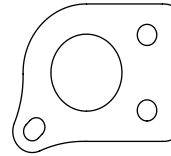
PRT-952-213 series

Gibson Style Screw Hole



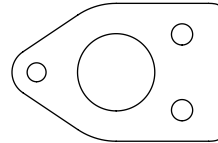
PRT-952-214 series

45 Degree Screw Hole



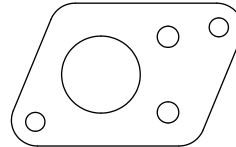
PRT-952-216 series

90 Degree Screw Hole



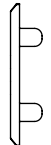
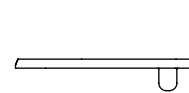
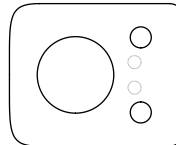
PRT-952-217 series

'F' Style Screw Hole



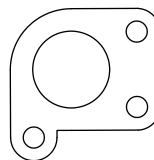
PRT-952-201 series

Fender Style 2 Pin Hole



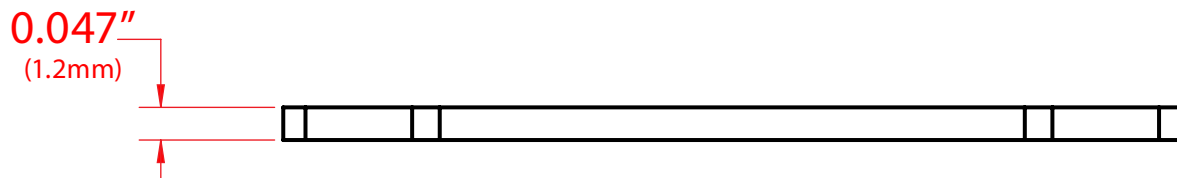
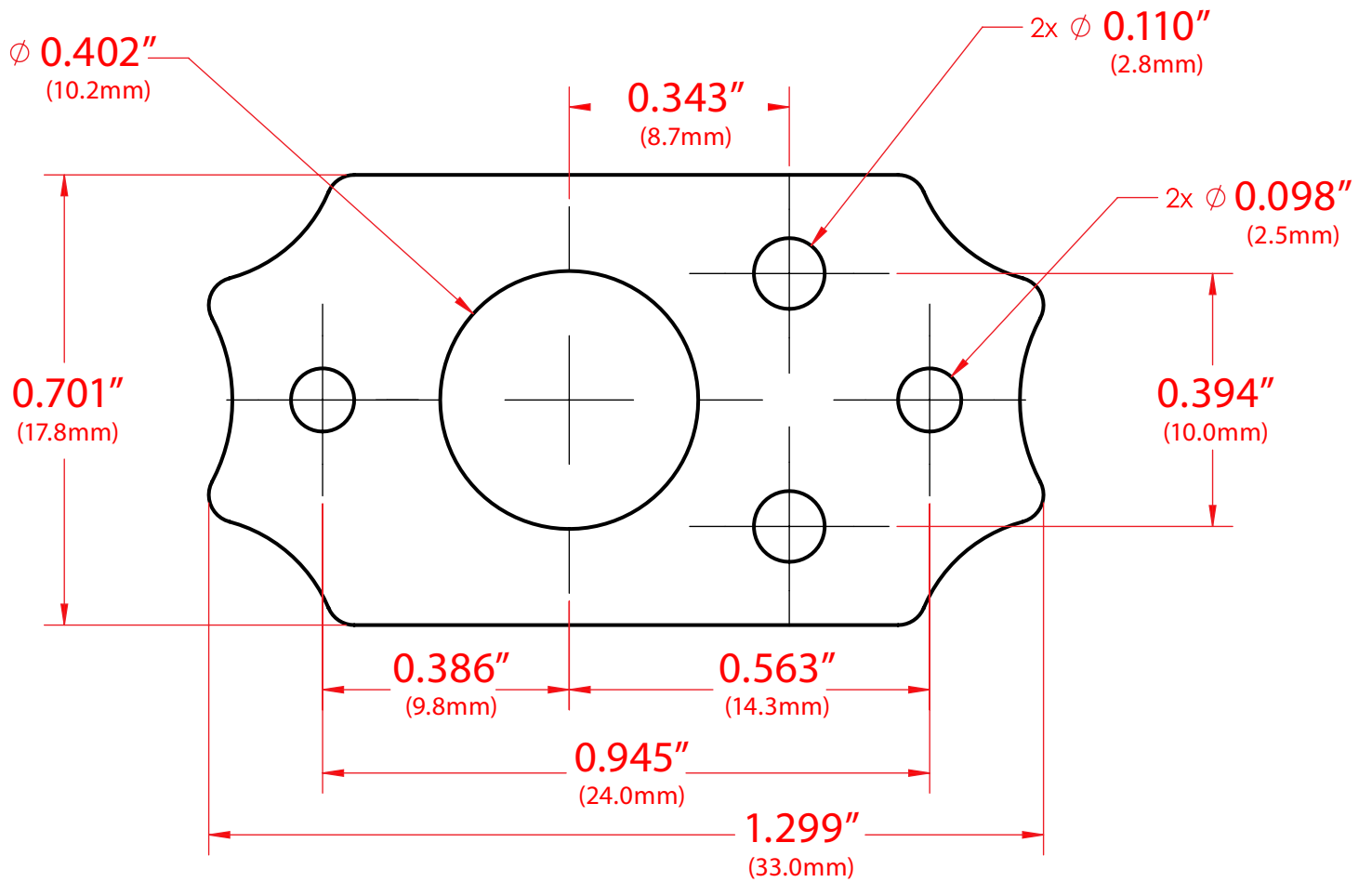
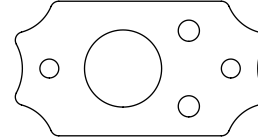
PRT-952-220 series

Schaller 90°



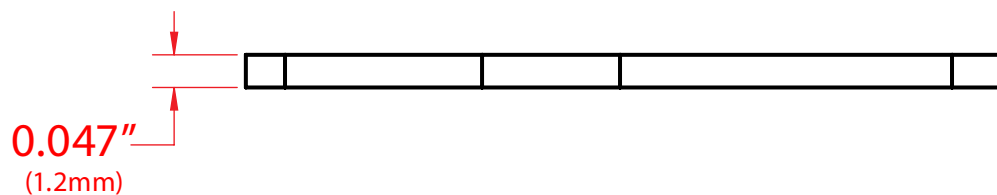
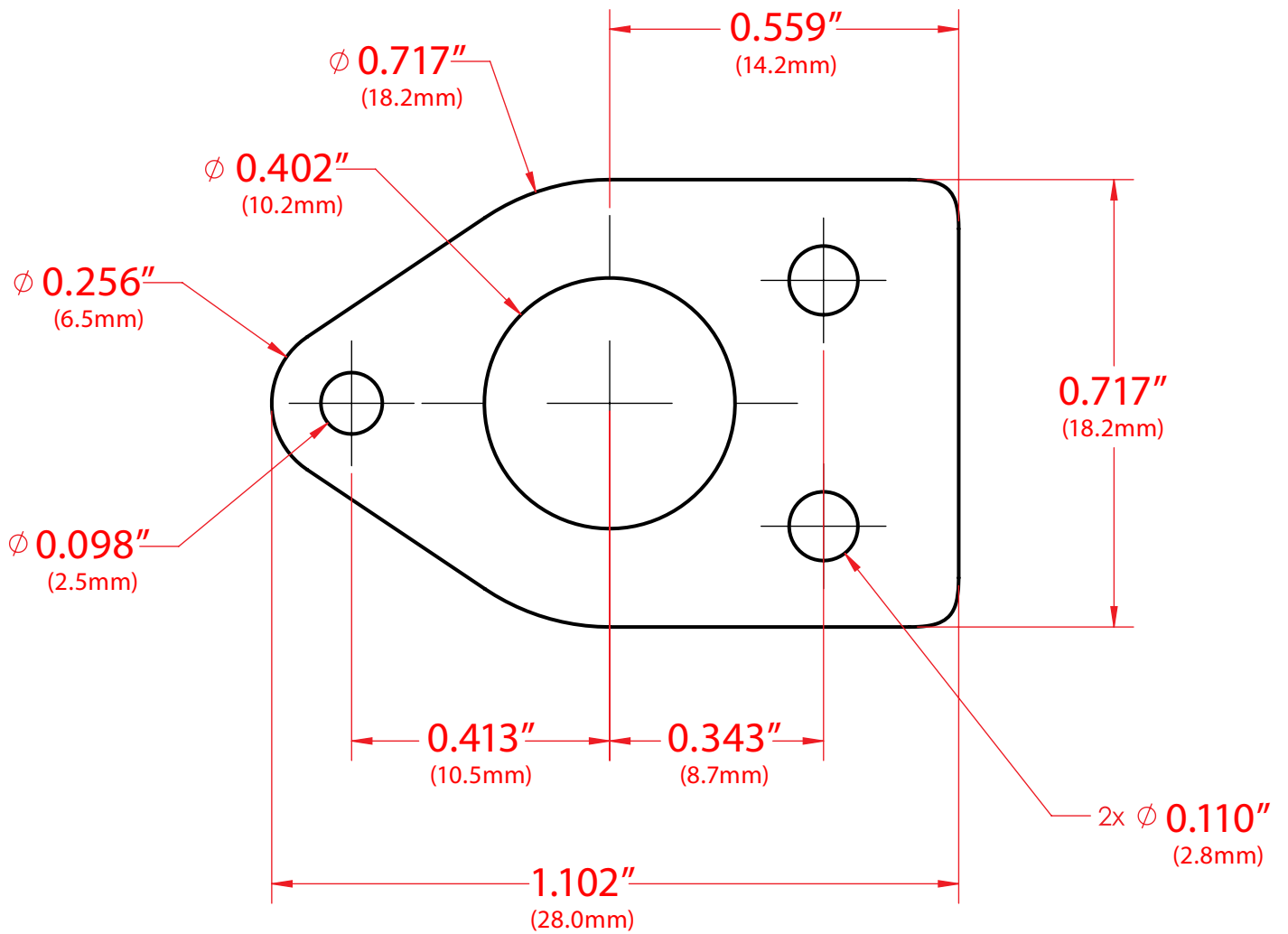
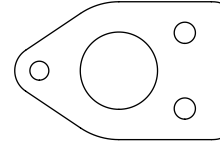
PRT-952-213 series

Gibson Style Screw Hole



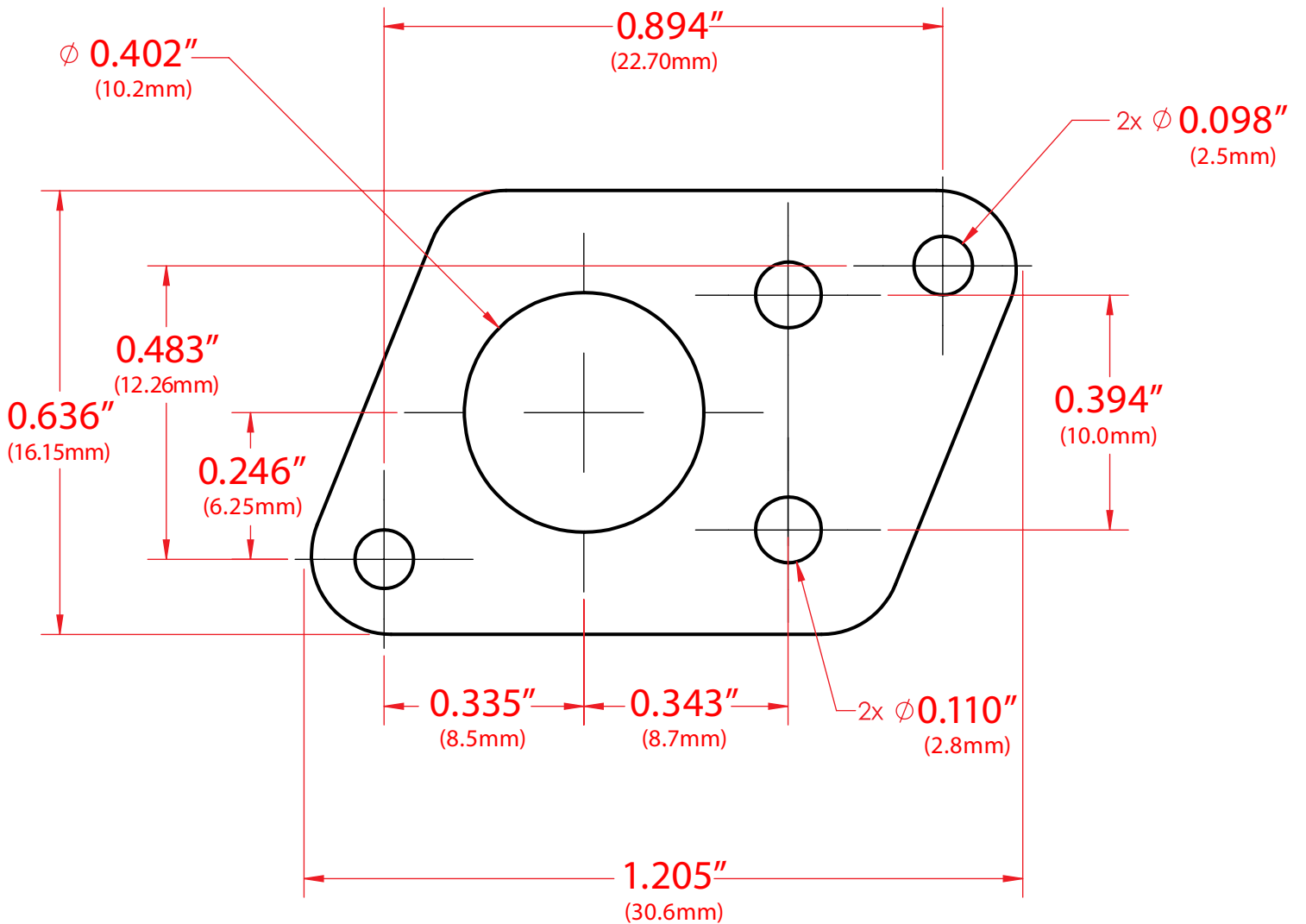
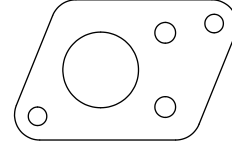
PRT-952-216 series

90 Degree Screw Hole

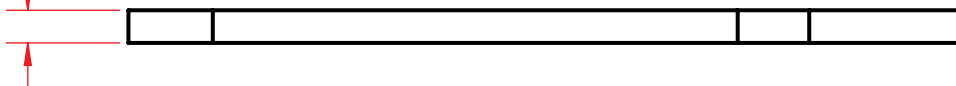


PRT-952-217 series

'F' Style Screw Hole

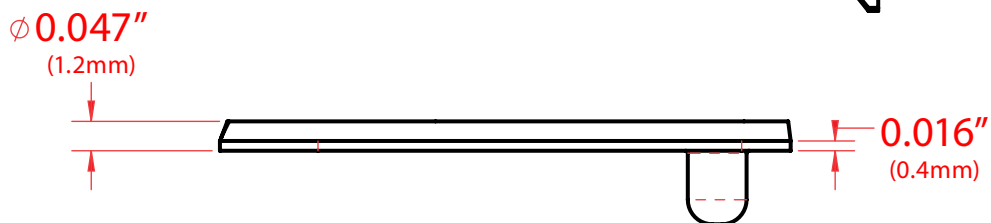
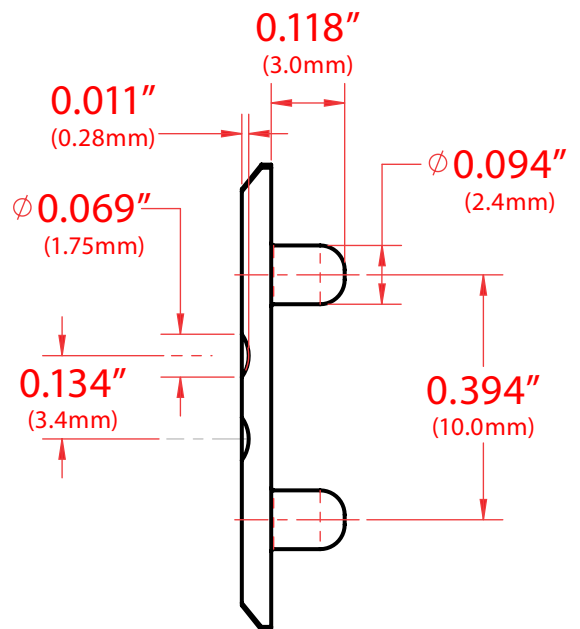
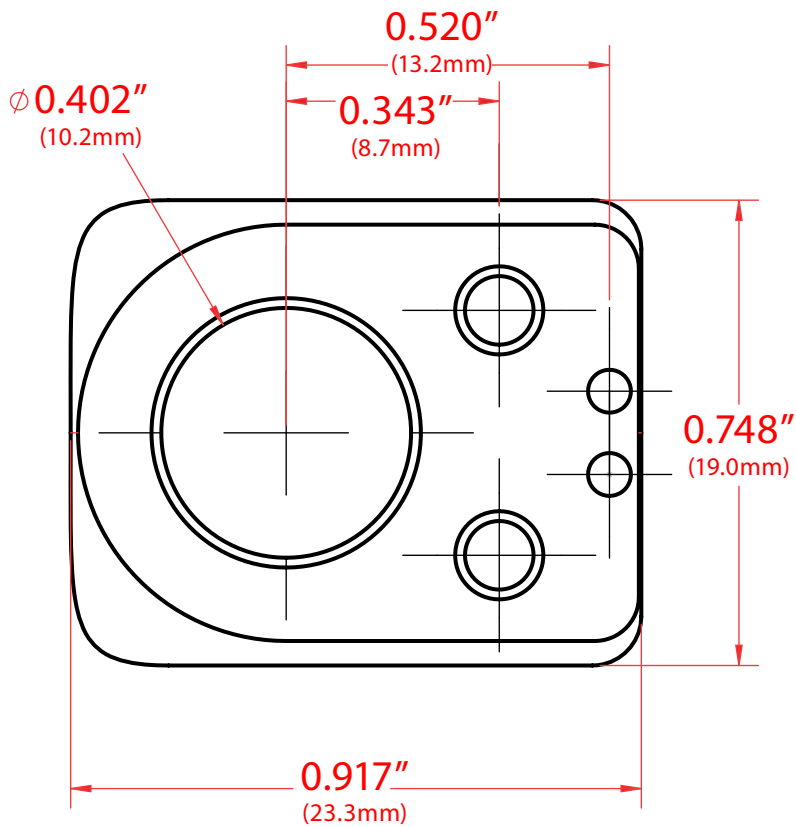
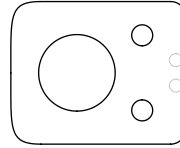


0.047"
(1.2mm)



PRT-952-201 series

Fender Style 2 Pin Hole



PRT-952-220 series

Schaller 90°

