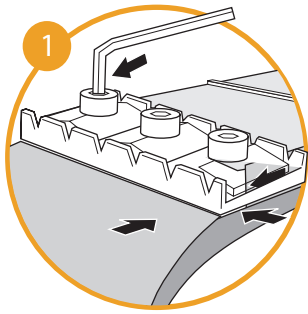
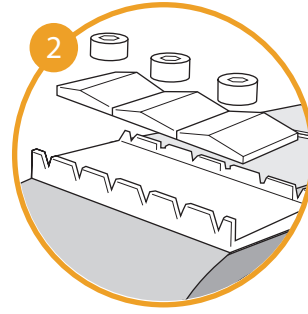


UNLOCKING NUT INSTALLATION GUIDE



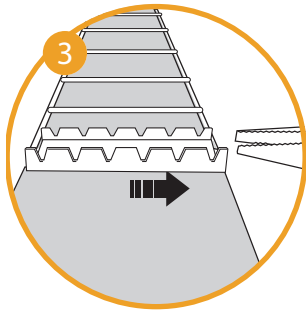
STEP 1

Remove the strings. Trace around (score) every edge of the nut with an exacto knife to prevent lacquer sticking to the nut and the neck and chipping away.



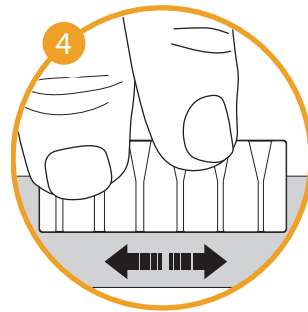
STEP 2

If the nut is not sitting in a slot, usually a light tap with a small block will set it free. If it is sitting in a slot, gently tap it out sideways using a hammer and a screwdriver.



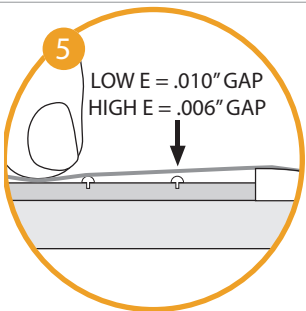
STEP 3

When it is sticking out the side, pull it out in the same direction with a pair of pliers, like you would a tooth. Scrape or file the nut slot free from old glue and finish residue while making sure that the slot remains square.



STEP 4

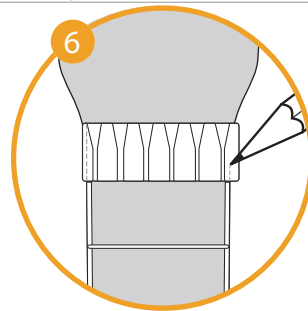
See if your new Graph Tech nut fits into the slot without force. If it's too thick, place a 400 to 600 grit sand paper face up on a flat surface and sand down the sides of the nut until it fits in the slot snugly, but is easily removable.



STEP 5

Restricting the high and low E strings and tune to pitch to check for correct height. Pushing down on the third note of the low E string should result in a .010" gap between the string and the first fret; high E string should be .006"

*NOTE: These measurements are general guidelines, so feel free to adjust the string clearance according to your personal preference and playing style.



STEP 6

Once you've adjusted the thickness and the height, you just need to sand the ends of the nut so that they are flush with the neck. Just use a pencil and mark the ends of the nut that are sticking out, remove it from the neck and sand it to your marks.

** If needed, wood glue (i.e. Elmer's) is recommended but not required to hold the nut in place*

NEED HELP? Contact **GRAPH TECH GUITAR LABS** at 604-940-5353, via e-mail at sales@graphtech.com, or consult our website at www.graphtech.com