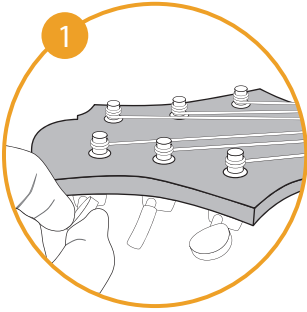
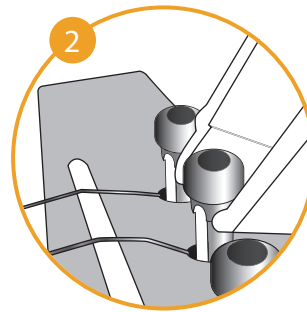


BRIDGE PIN INSTALLATION INSTRUCTIONS



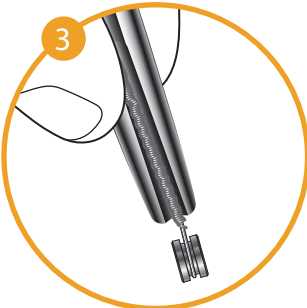
STEP 1

Loosen all six strings. Reduce the tension until they are loose enough that the notes can no longer be heard when a string is plucked.



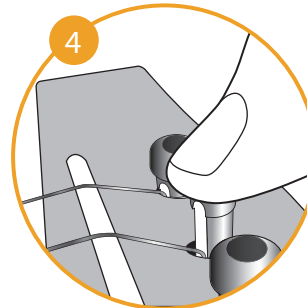
STEP 2

Remove your old bridge pins using your fingers or a pin puller like the one on the end of most string winders.



STEP 3

Align the string with the groove in the bridge pin, and let the ball end extend beyond the end of the pin. Insert the ball end and the bridge pin half way into the tapered hole in the bridge.



STEP 4

Pull up on the string to slide the ball end up the bridge pin and anchor it against the bridge plate, then **push the pin down** into the tapered hole. The pin does not have to be tight to hold the string firmly. Push gently to seat the pin.