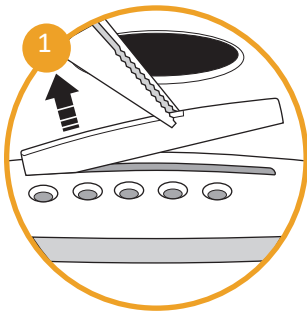
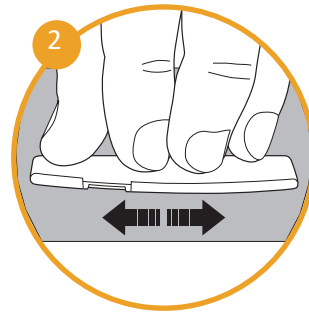


# ACOUSTIC SADDLE INSTALLATION GUIDE



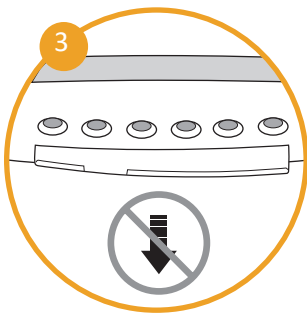
## STEP 1

**Remove the strings and bridge pins.** The saddle should lift out easily. If you find it is glued in, get a competent guitar tech to complete the replacement. **DO NOT** pry it out as you may take some wood from your bridge with it. Once removed, clean the slot of any debris.



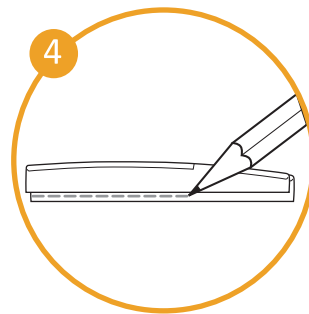
## STEP 2

Check if the Graph Tech saddle fits into the slot, without forcing it. If it's too thick, place a 240 to 400 grit sand paper on a flat surface and sand the sides of the saddle until it fits in the slot snugly but is easily removable. You may have to reduce the length also.



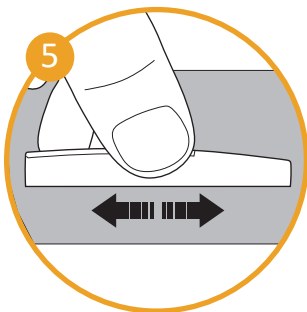
## STEP 3

The saddle should slip in easily, but still be snug enough that you can turn the guitar upside down without the saddle falling out.



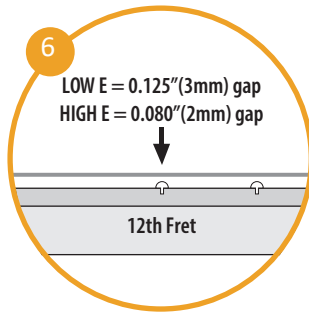
## STEP 4

**Adjust the string height.** Put your old saddle against the GraphTech saddle and align the tops. Using a pencil mark a line along the bottom of your new saddle.



## STEP 5

**Sand the bottom of the saddle** up to the line, keeping the bottom flat and square to the sides. Work in small increments and check your work frequently so you don't remove too much material.



## STEP 6

**Determine correct string height**, by measuring the gap between the top of the 12th fret and the bottom of the low E string. It should be around 0.125" (3mm), or about a stack of 12 business cards if you don't have a ruler. For the high E string, the gap should be around 0.080" (2mm), or about a stack of 8 business cards.