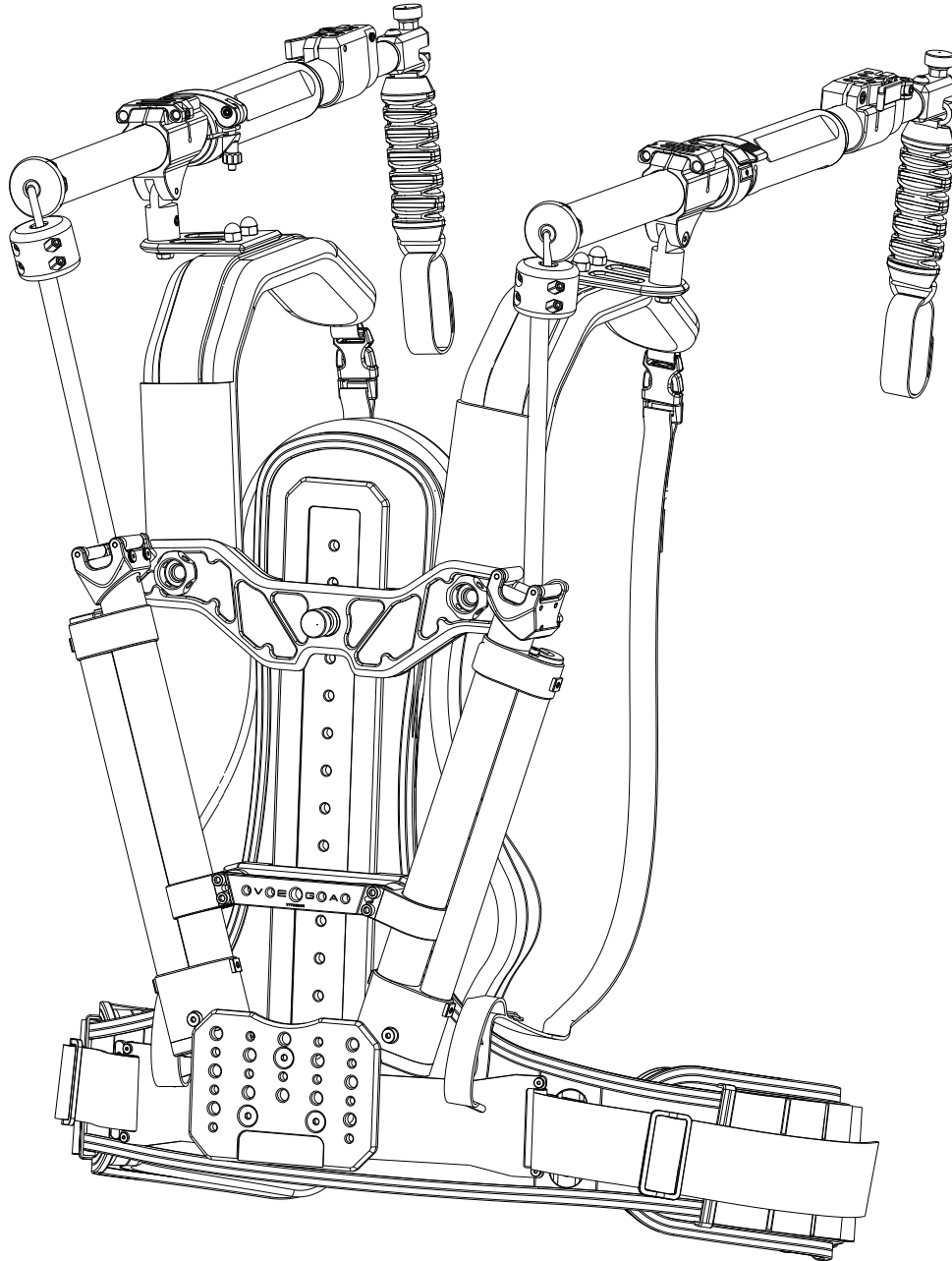


READYRIG®
V E G A

VEGA UPGRADE RR-VU INSTALLATION MANUAL









www.ready-rig.com

Safety Instructions and Recommendations

Before use, please read, understand and follow the safety instructions in this manual.

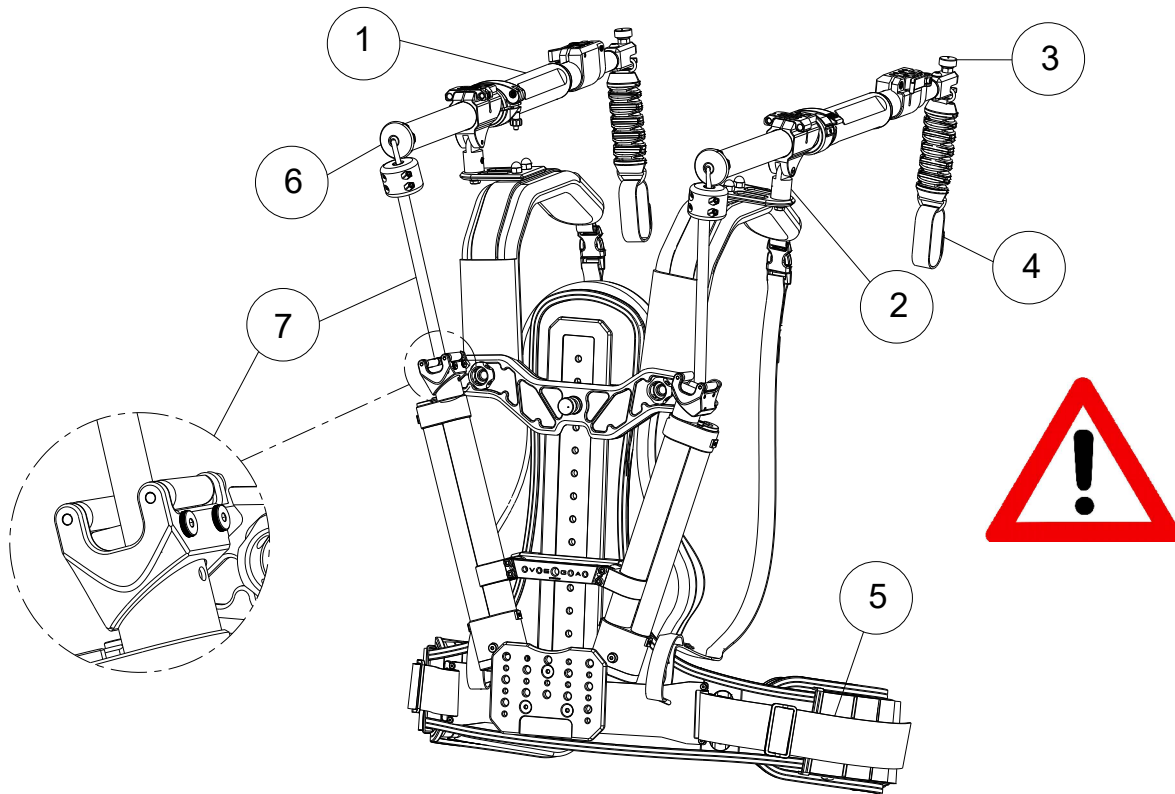
- Safety is your responsibility.
- Perform a complete safety inspection before every use as described in this manual, and inspect your Ready Rig for damage, loose parts, screws, or signs of damage. Stop operation immediately and contact your place of purchase if something does not feel right.
- Ready Rig is a professional tool designed to be used on film sets that follow strict safety guidelines such as those published by the Industry-Wide Labor-Management Safety Committee for the Motion Picture and Television Industry and OSHA etc. We recommend that you attend all safety classes required by your local camera union and follow all safety guidelines published on www.csatf.org/production-affairs-safety/safety-bulletins/ prior to using our products.
- NEVER use a Ready Rig in an unsafe environment.
- If you have any safety questions or concerns, we recommend you contact the ICG Safety Hotline, (877-ICG-HOTLINE) or your regional camera union.
- Do not lend or rent your Ready Rig to anyone unfamiliar with its operation. Ensure any new users are familiar with these instructions.
- Ready Rig has been designed to allow users to hold camera weight longer than normal, but the system relies on the operator being well rested and physically fit. Know your own limits and take breaks. Using the system when tired can result in injury.
- The Ready Rig system uses spring loaded support arms, therefore there are inherent risks in operating such systems such as arm releasing and causing body injury. You must ensure that no one is near the arms when in use, or when removing camera payloads.
- Follow all local laws, regulations, and safety requirements.

Important Safety Warnings

	<p>WARNING DO NOT EXCEED MAXIMUM SYSTEM PAYLOAD: Ready Rig GS Standard: Maximum weight capacity 30 lbs (13.6 kg) total, 15 lbs (6.8 kg) per arm. Ready Rig GS + ProArm: Maximum weight capacity 40 lbs (18.1 kg) total, 20 lbs (9 kg) per arm. Ready Rig with VEGA Upgrade: Maximum weight capacity 40 lbs (18.1 kg) total, 20 lbs (9 kg) per arm.</p>
	<p>WARNING FALL AND DROWNING RISK: Never operate your Ready Rig in high risk environments such as any location with a falling risk, trip hazards, or open bodies of water. The system is attached to the body and a fall can potentially lead to catastrophic injury or death.</p>
	<p>WARNING IMPACT HAZARD: The Ready Rig arms are spring loaded. Any rapid or uncontrolled release of the support arms, bungees/bands, or load can potentially cause catastrophic injury or death. You must maintain a safe distance from others at all times. When adjusting the system, stay clear of arms or moving components that are under tension.</p>
	<p>WARNING: Discontinue use immediately if you experience any discomfort, pain, tingling, or numbness anywhere in your body. Consult a medical professional prior to attempting to use the product again. Refer to manual sizing chart and contact customer service for further assistance support@ready-rig.com</p>
	<p>WARNING: Never use the Ready Rig as a safety harness. Ready Rig vests are not safety rated and should not be used to replace a safety harness.</p>
	<p>WARNING: Discontinue use if any component shows observable damage such as abrasions, cuts, gouges, or loose parts.</p>

SAFETY INSPECTION CHECK LIST

Before using any READY RIG complete the following safety check list.



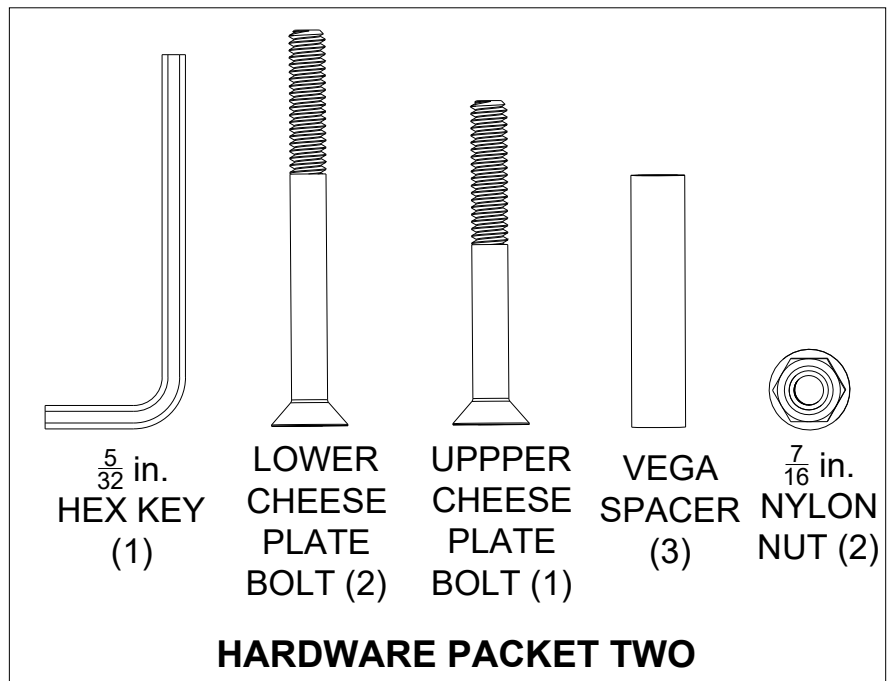
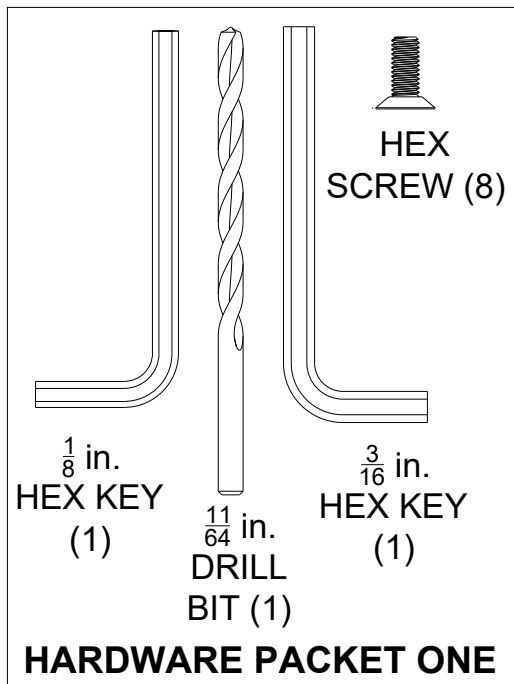
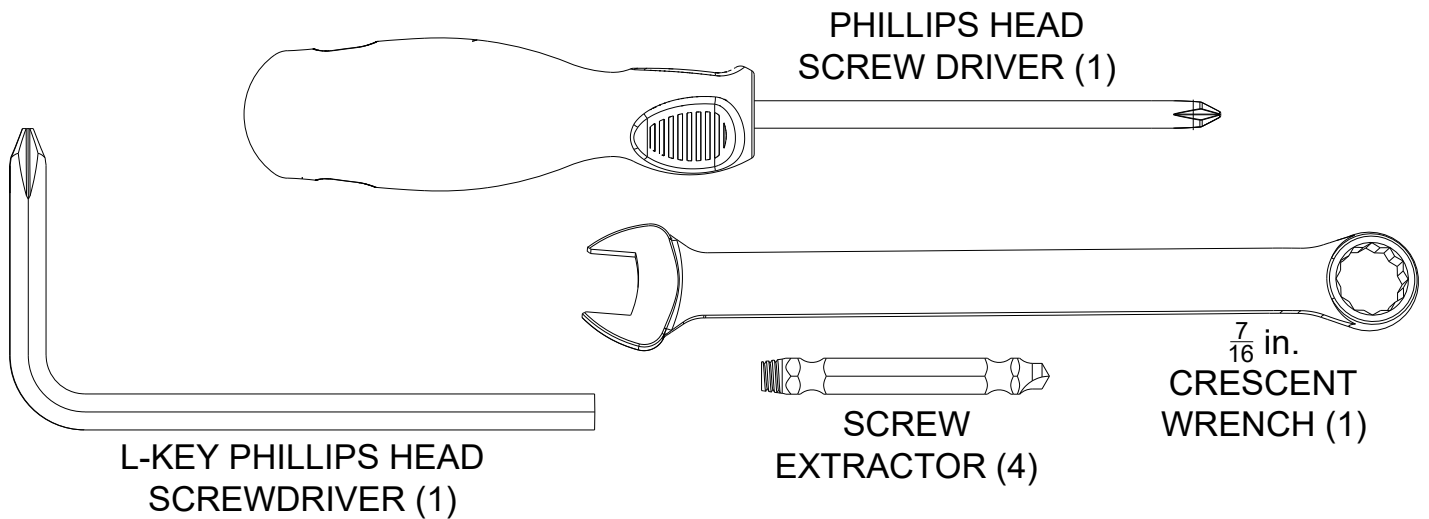
- 1. Confirm that the PROARMs have the VEGA ARM CLAMPs installed.
- 2. Check the SHOULDER WING for any damage such as loose or worn components.
- 3. Check that the SPRING BOLTS function properly and that the COBRA QUICK RELEASE is securely fastened to the CARBON FIBER SUPPORT ARMS.
- 4. Check UNIVERSAL GIMBAL ATTACHMENT to make sure that the Velcro straps have been attached correctly.
- 5. Check WAIST BELT to ensure the buckle functions properly and that the belt material is not damaged in any way.
- 6. Check the SUPPORT ARM to make sure that the VEGA bands are firmly attached to the SUPPORT ARMS.
- 7. Check to be sure each of the VEGA 4-post roller spin freely and check POLYCORE BANDS for any damage such as cracks, tears, abrasions, nicks, cuts, dents, or scuffing of the rubber.
- 8. Inspect the entire product for loose or damaged components.

READY RIG®

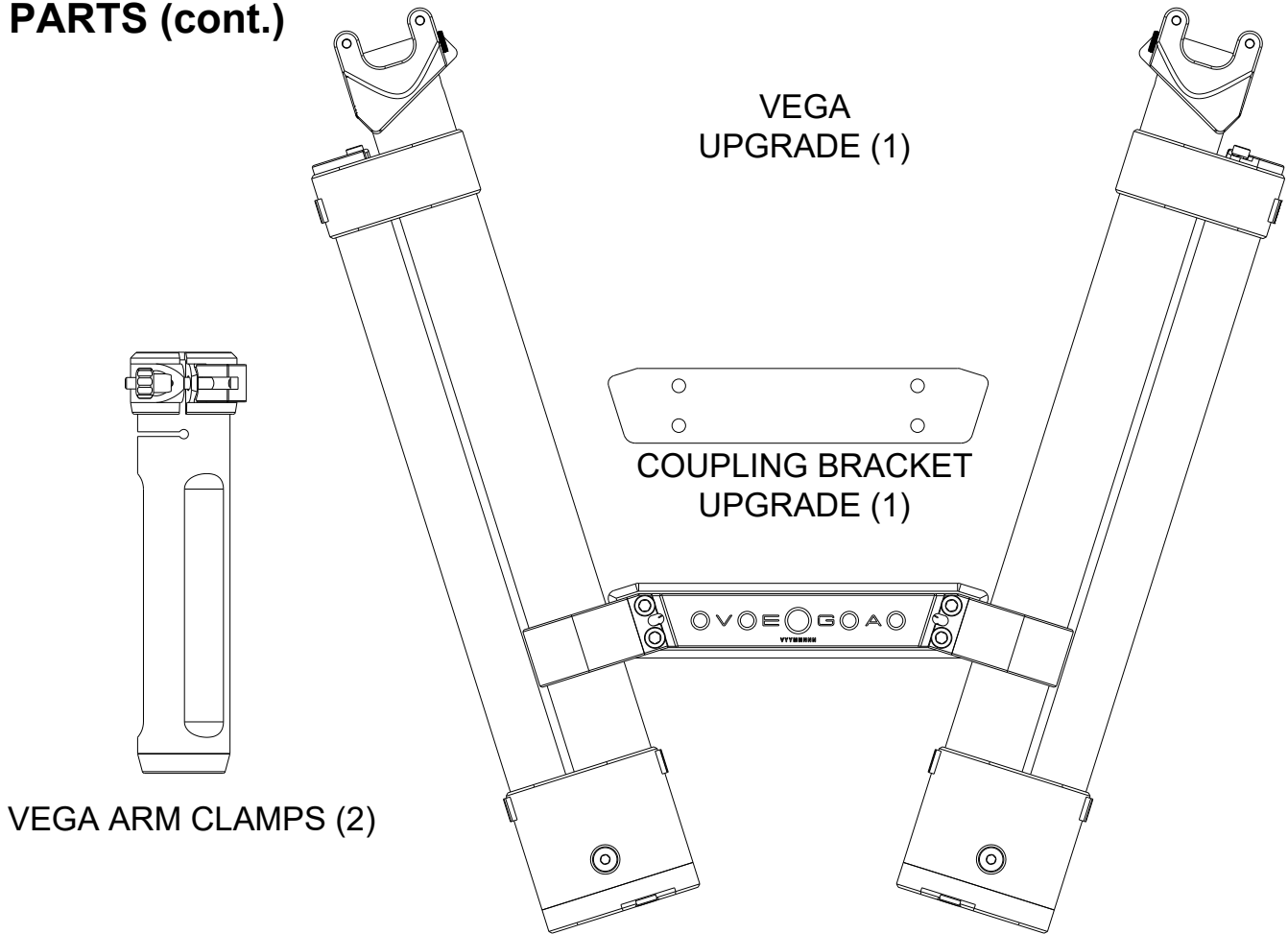
Congratulations on your purchase of a VEGA UPGRADE! This upgrade adds more stability to your READY RIG. These instructions assume you are already familiar with assembling your READY RIG. Instructions are also available in video format on our website at www.go.ready-rig.com/welcome.

PARTS

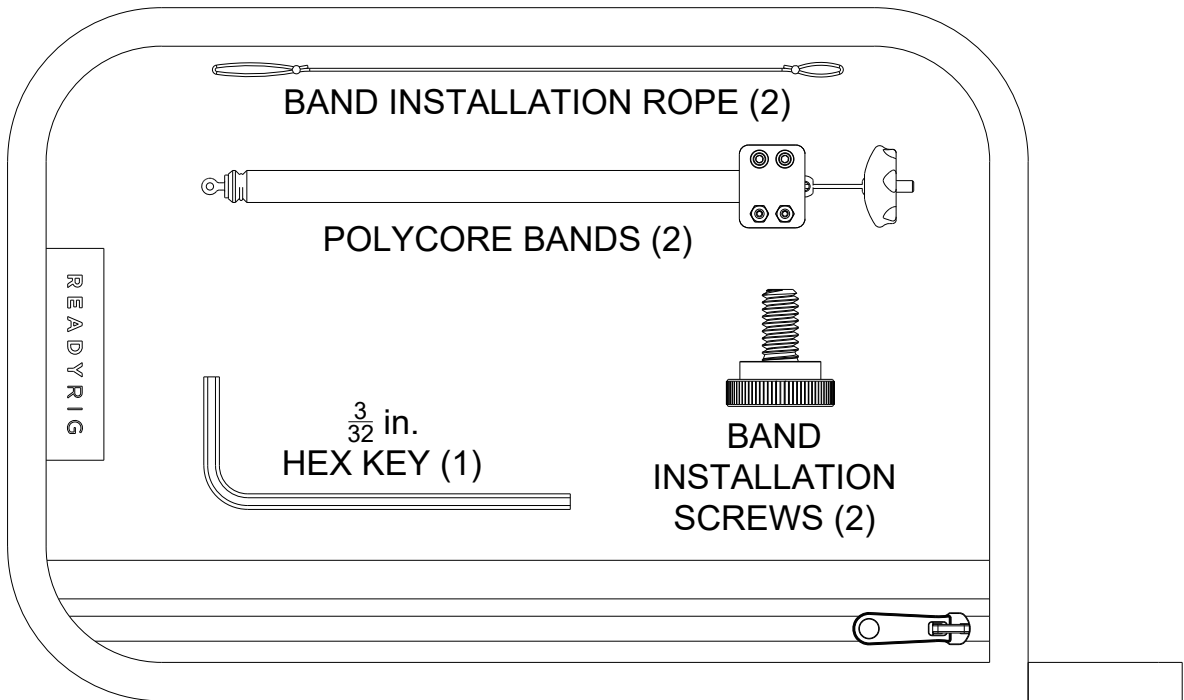
Be sure that the following parts have been included with your VEGA UPGRADE for assembly. If a part is missing contact our customer support for help. Our email is support@ready-rig.com.



PARTS (cont.)



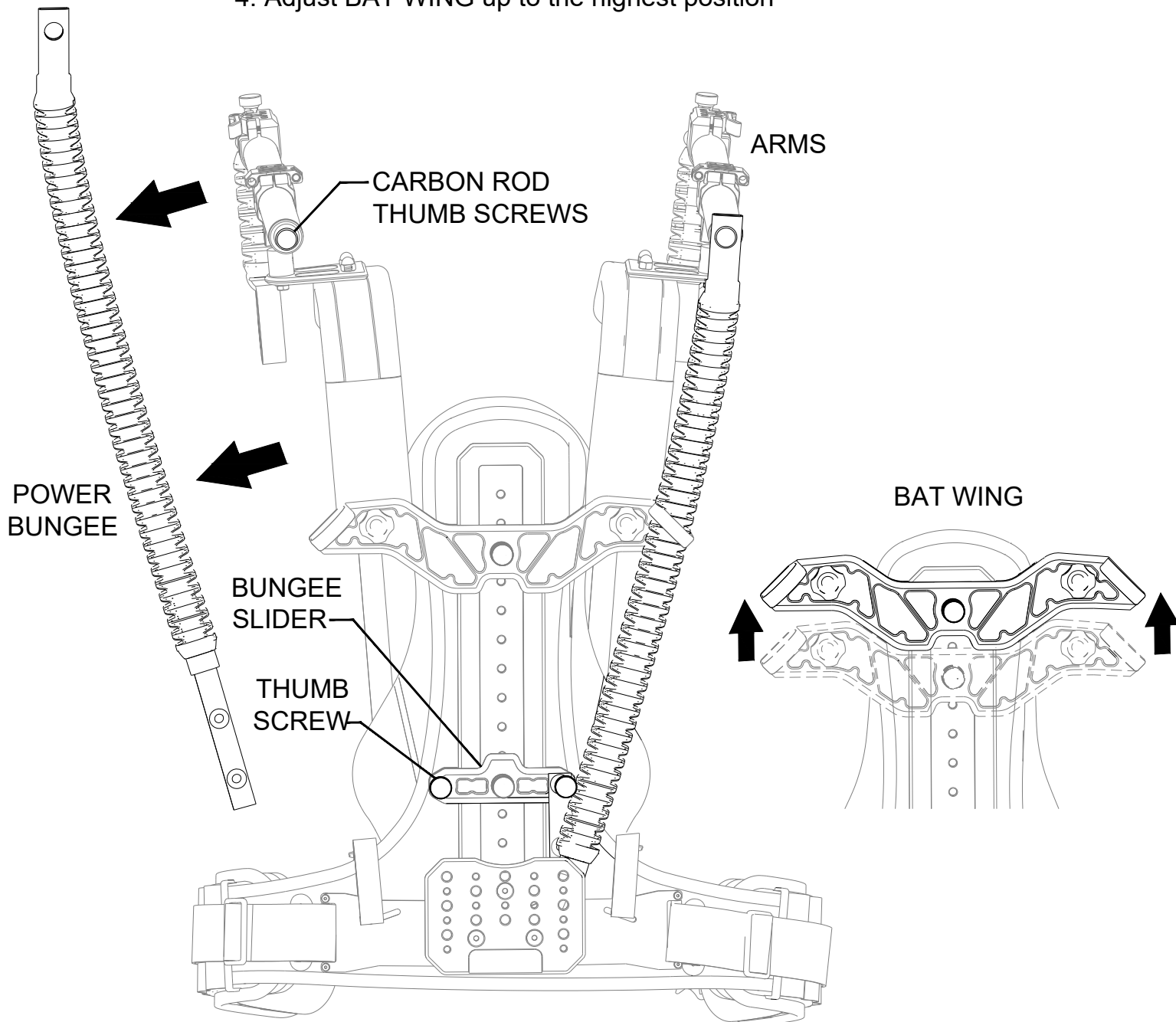
POLYCORE BAND BAG (1)



DISASSEMBLY

In order to install your VEGA UPGRADE, you will first need to remove the POWER BUNGEEES.

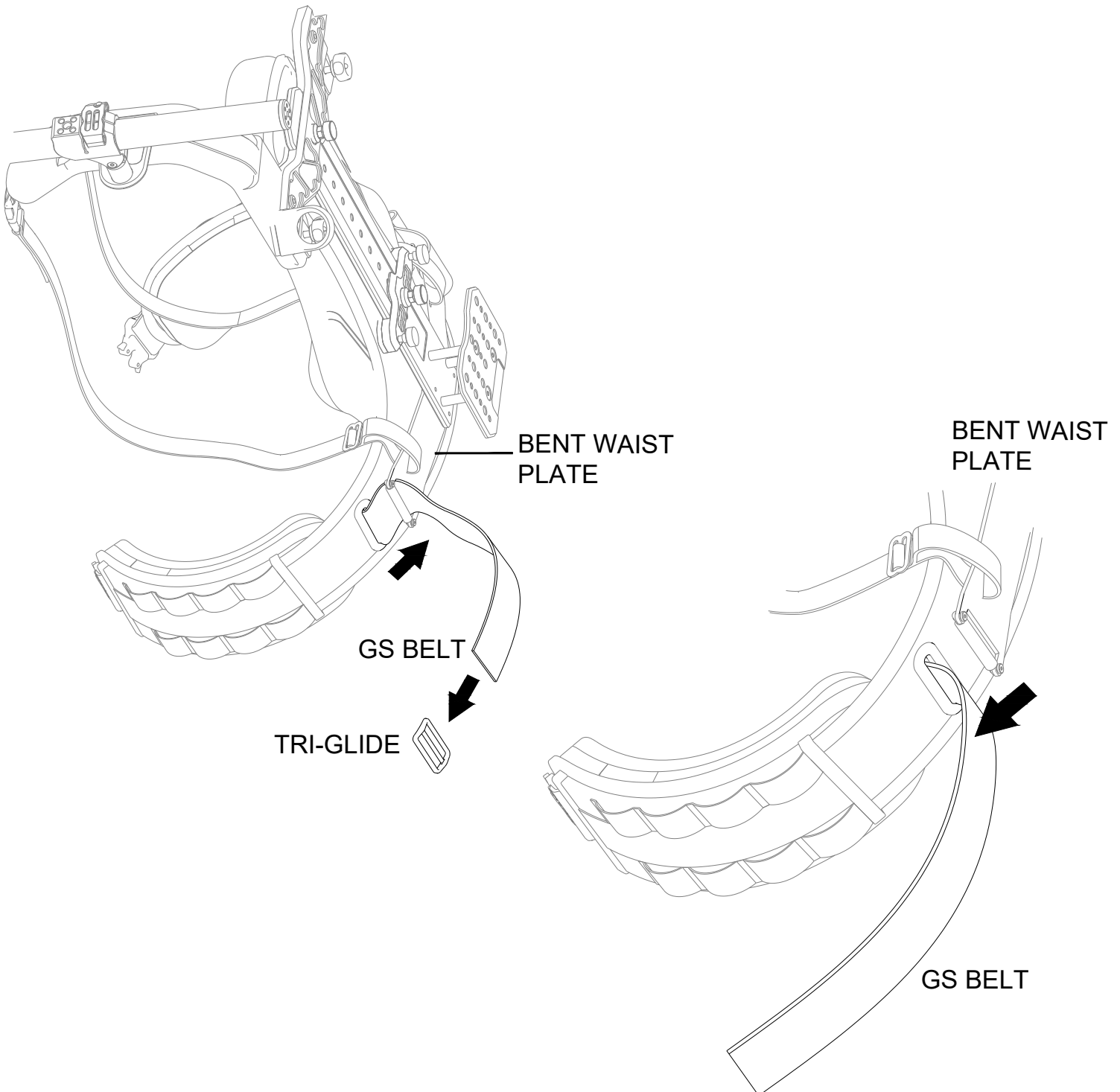
1. Lay your READY RIG flat on a table with the back facing up.
2. Remove CARBON ROD THUMB SCREWS on ARMS and THUMB SCREWS on BUNGEE SLIDER.
3. Pull POWER BUNGEEES out of READY RIG
4. Adjust BAT WING up to the highest position



DISASSEMBLY (cont.)

Remove the GS BELT from the BENT WAIST PLATE.

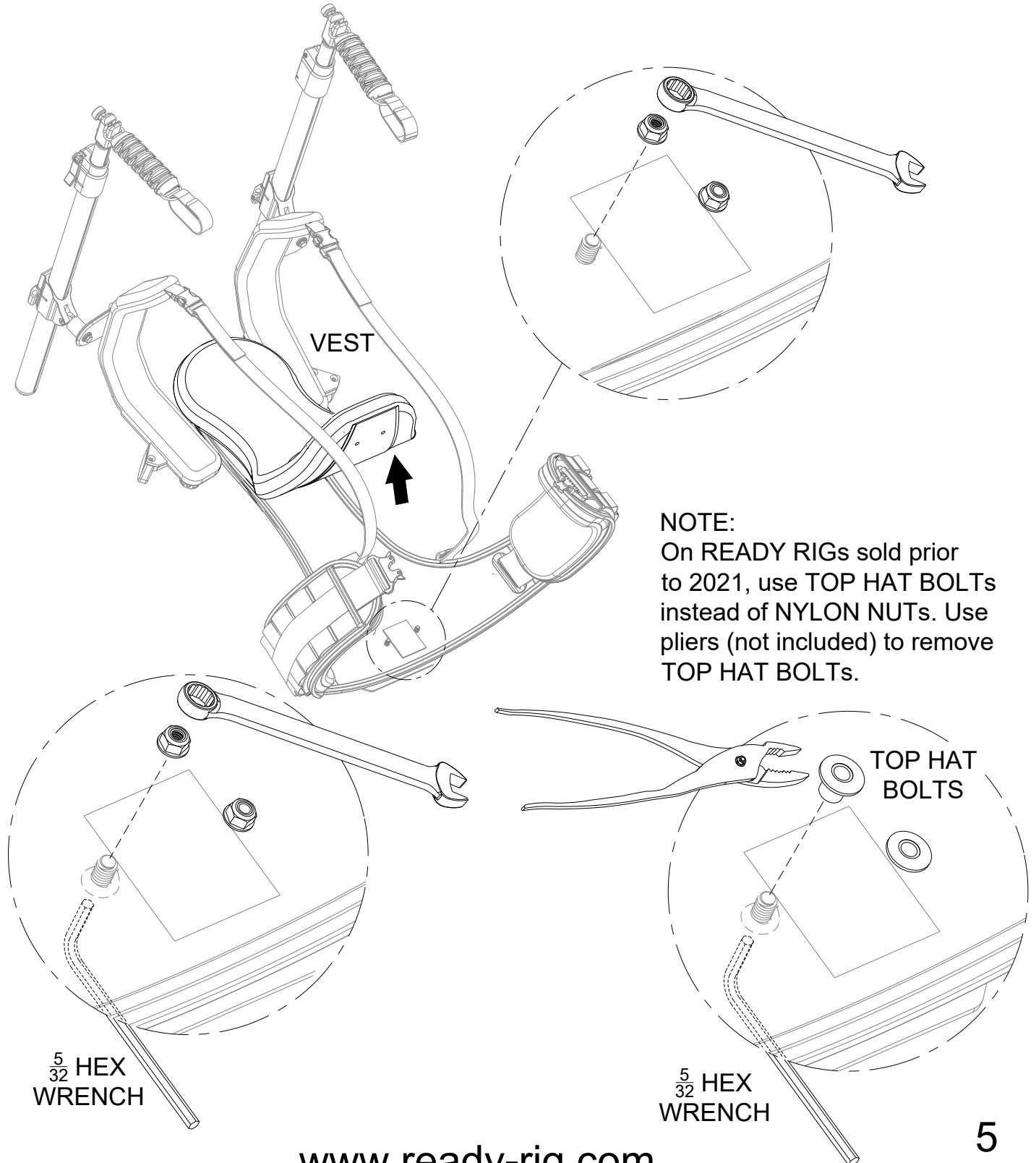
1. Pry GS BELT off the Ready Rig and slide off TRI-GLIDEs off of belts.
2. Pull GS BELT out of BENT WAIST PLATE.



DISASSEMBLY (cont.)

Remove the NYLON NUTS.

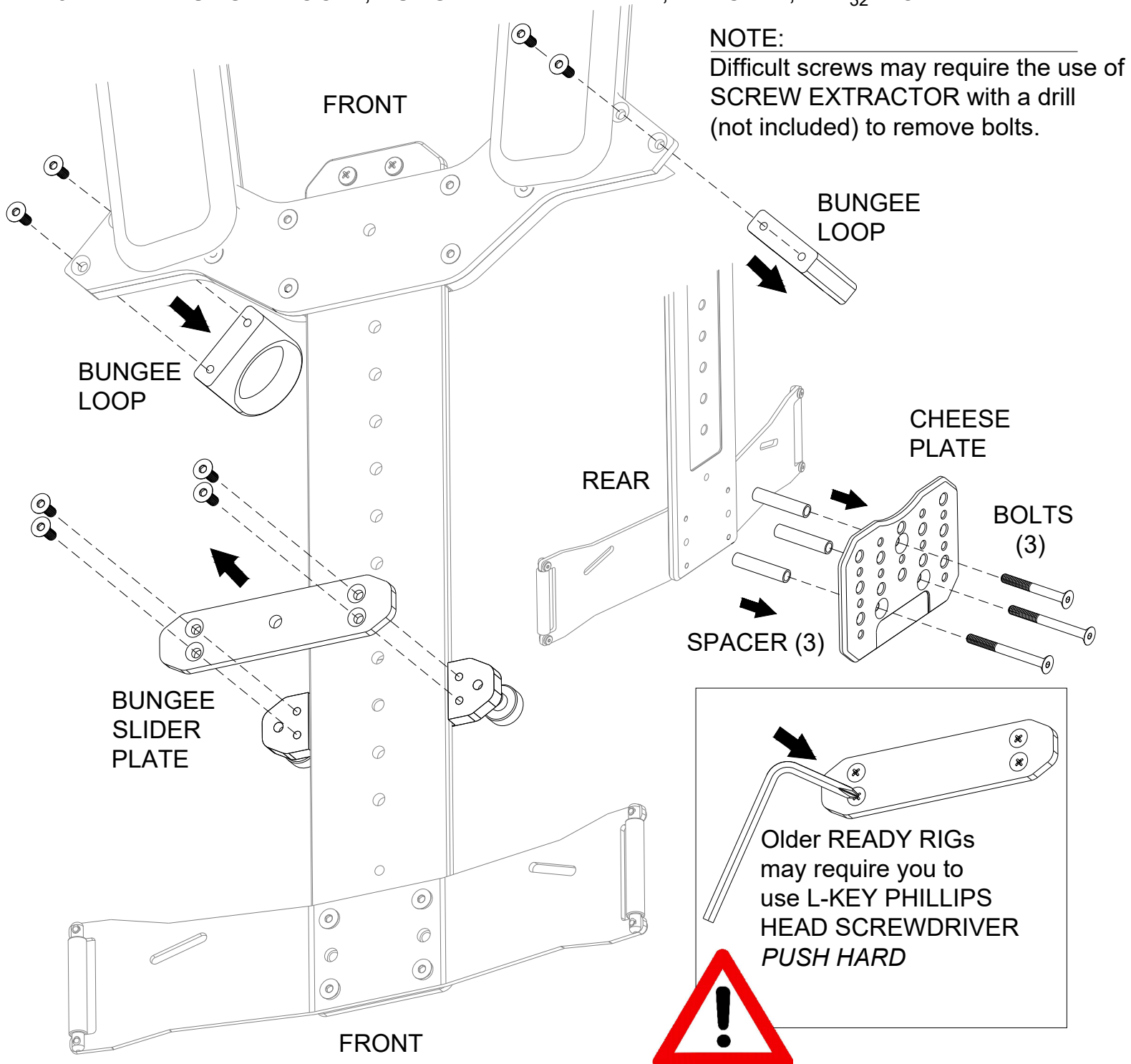
1. Pry VEST up from the READY RIG.
2. Use the CRESCENT WRENCH to remove NYLON NUTS (you may need to use the $\frac{5}{32}$ HEX WRENCH on the underside of LOWER CHEESE PLATE BOLTS to prevent spinning).
3. Flip the VEST over to access the back of the frame.



DISASSEMBLY (cont.)

Remove the BUNGEE SLIDER, BUNGEE LOOPS and CHEESE PLATE from the READY RIG.

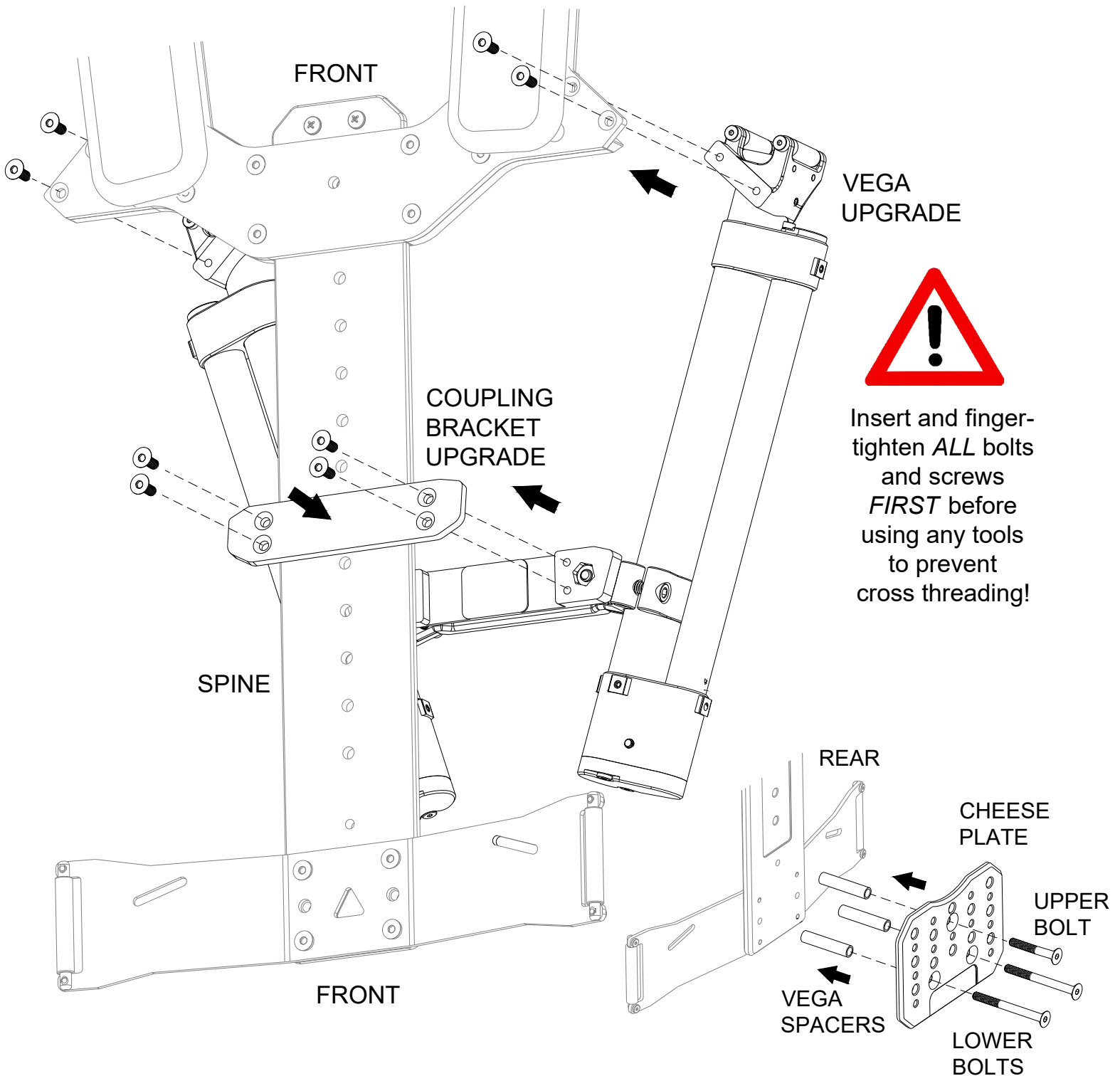
1. Use 1/8 HEX WRENCH (from HARDWARE PACK ONE) or L-KEY PHILLIPS HEAD SCREW DRIVER to remove SCREWS on BUNGEE LOOP and BUNGEE SLIDER PLATE.
2. Use $\frac{5}{32}$ HEX WRENCH (from HARDWARE PACK TWO) to remove bolts on CHEESE PLATE.
3. Discard BUNGEE LOOPS, BUNGEE SLIDER PLATE, SPACERS, and $\frac{5}{32}$ BOLTS.



ASSEMBLY

Install the VEGA UPGRADE to the back of READY RIG.

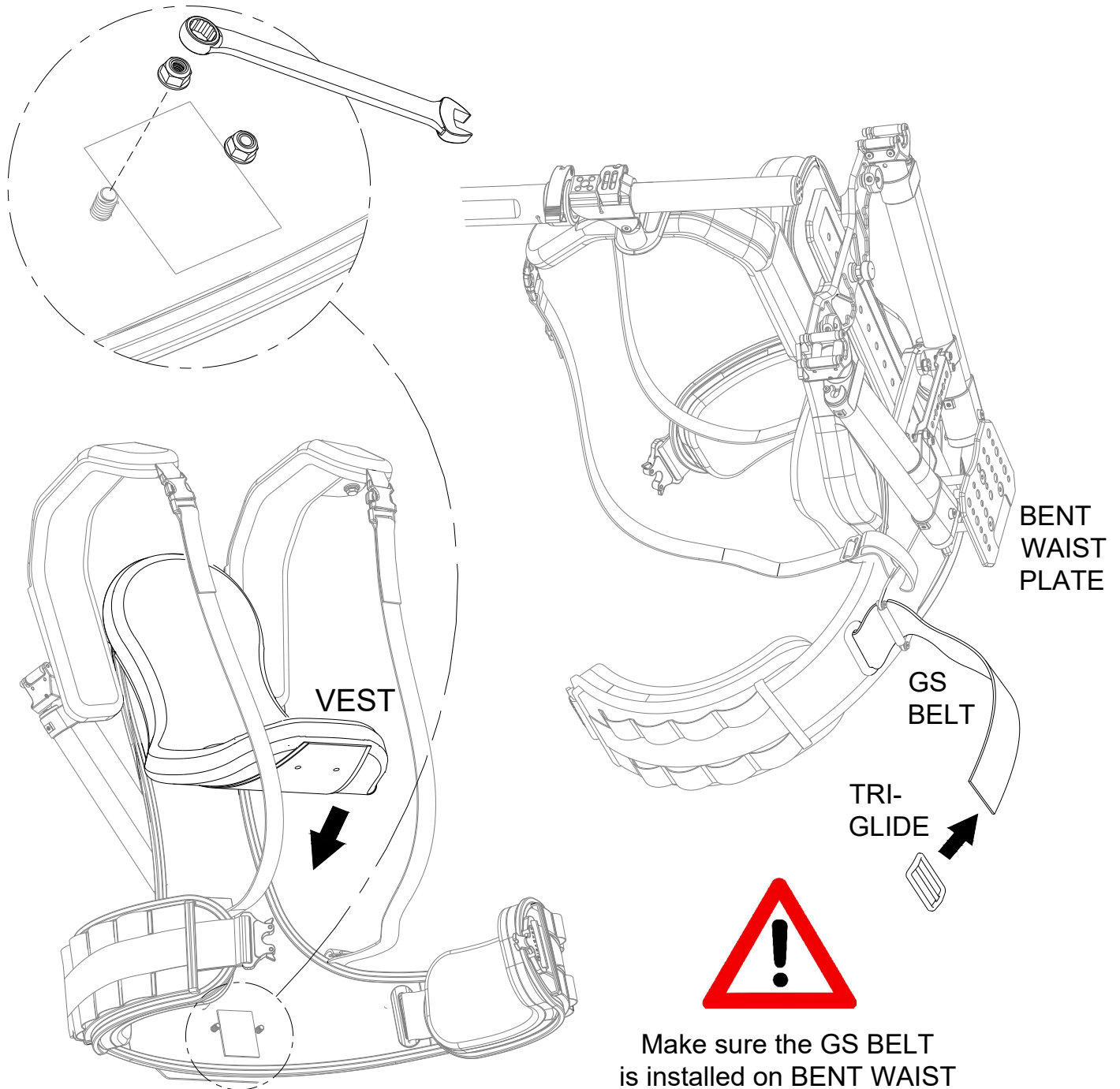
1. Use $\frac{1}{8}$ HEX WRENCH to *CAREFULLY* install the eight, HEX SCREWS (from HARDWARE PACKET ONE) that hold the VEGA UPGRADE onto the BAT WING and SPINE.
2. Install the CHEESE PLATE using the one UPPER and two LOWER CHEESE PLATE BOLTS along with VEGA SPACERS (from HARDWARE PACK TWO).



ASSEMBLY (cont.)

Reinstall VEST back onto BENT WAIST PLATE.

1. Align holes on VEST with BOLT so threads are visible.
2. Reinstall GS BELTs onto BENT WAIST PLATE and slide TRI-GLIDES onto GS BELTs.
3. Secure GS BELTs to the sides of the READY RIG.

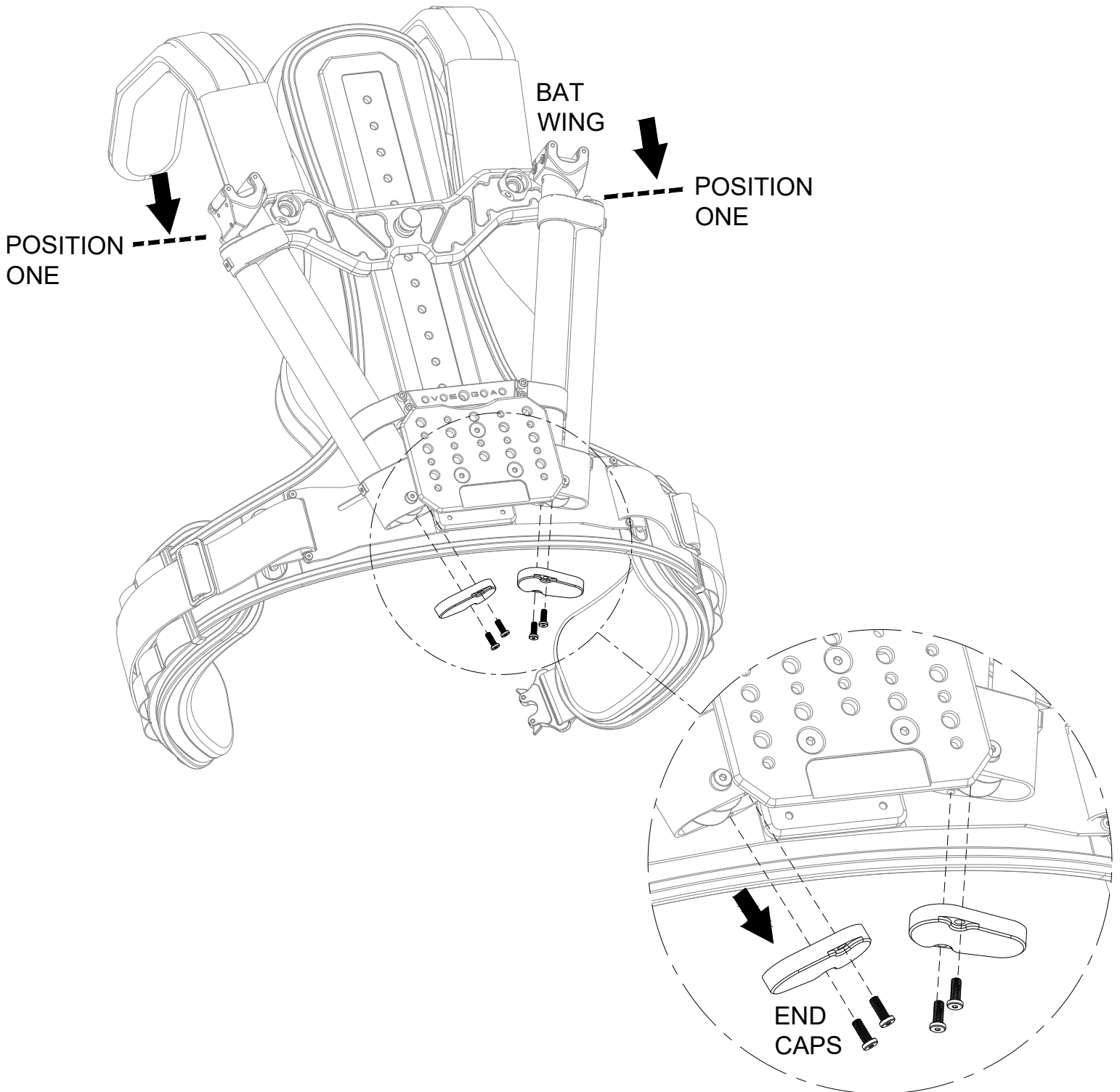


Make sure the GS BELT is installed on BENT WAIST PLATE before moving to next step.

ASSEMBLY (cont.)

Prepare the VEGA UPGRADE for POLYCORE BAND installation.

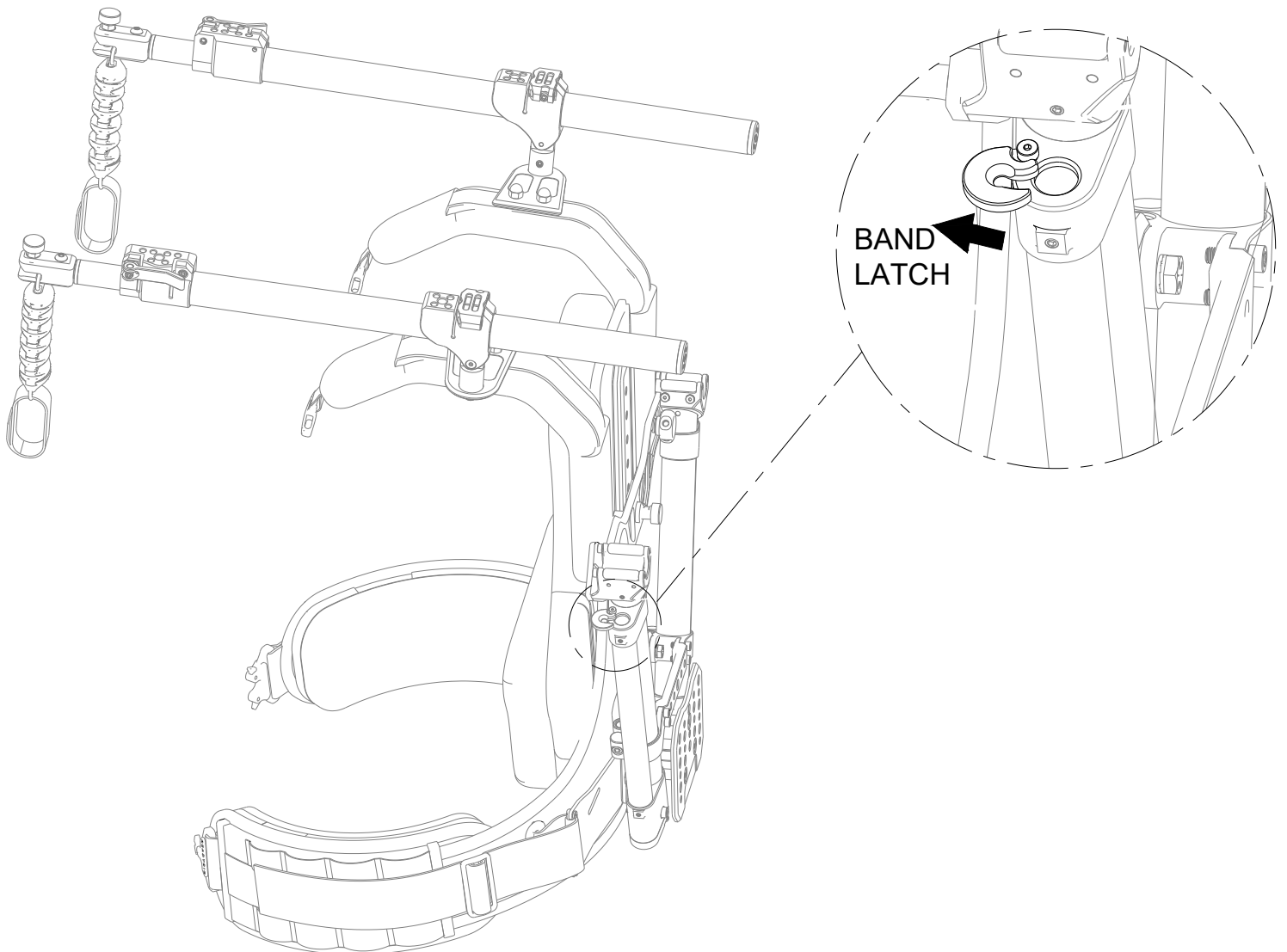
1. Move BAT WING to position one.
2. Use the $\frac{3}{32}$ HEX KEY (from POLYCORE BAND BAG) to remove END CAPS.



ASSEMBLY (cont.)

Prepare the VEGA UPGRADE for POLYCORE BAND installation.

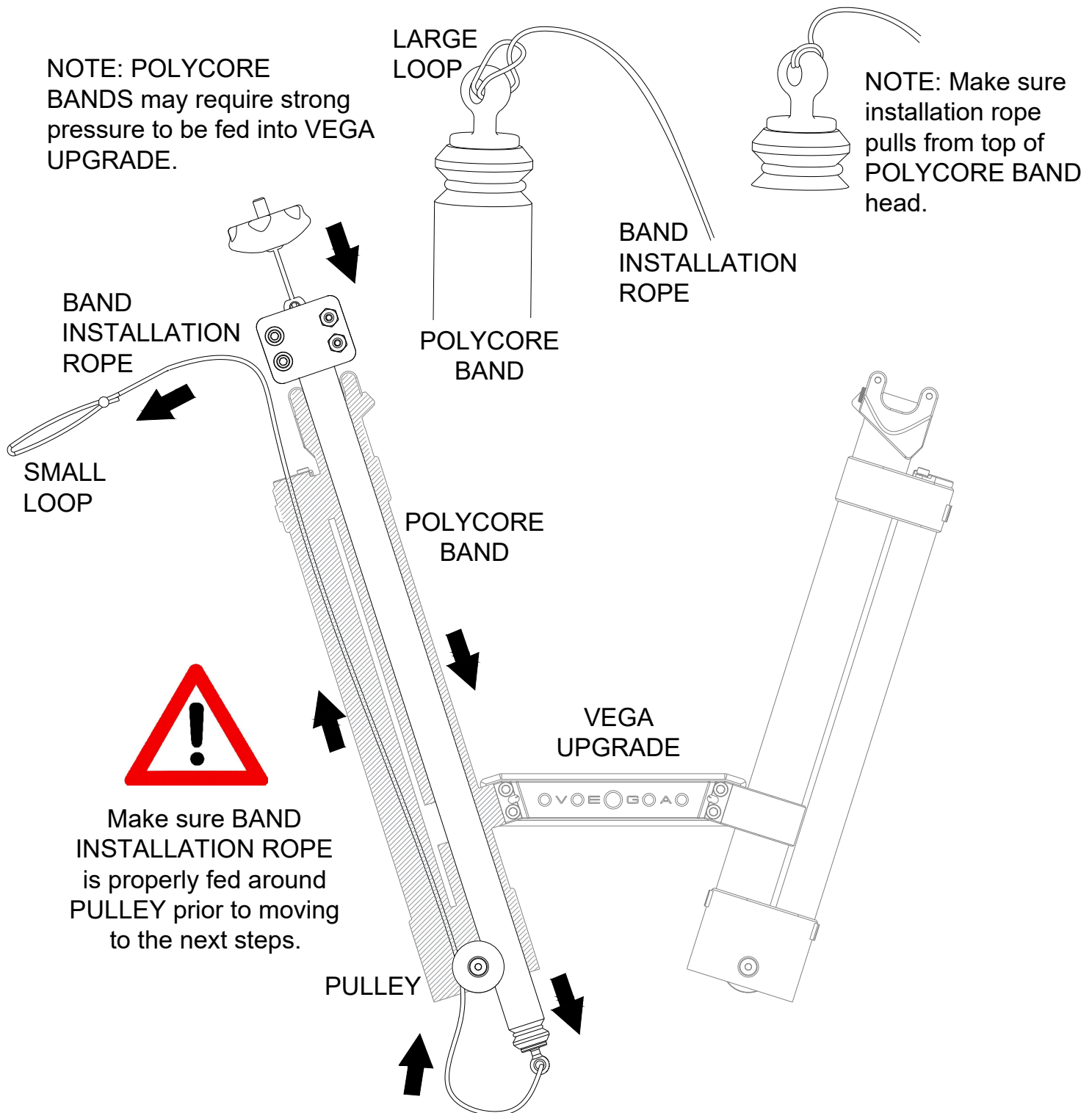
1. Unlock the BAND LATCH.
2. Remove POLYCORE BANDs form vacuum bag.



ASSEMBLY (cont.)

Insert the POLYCORE BAND into the VEGA UPGRADE.

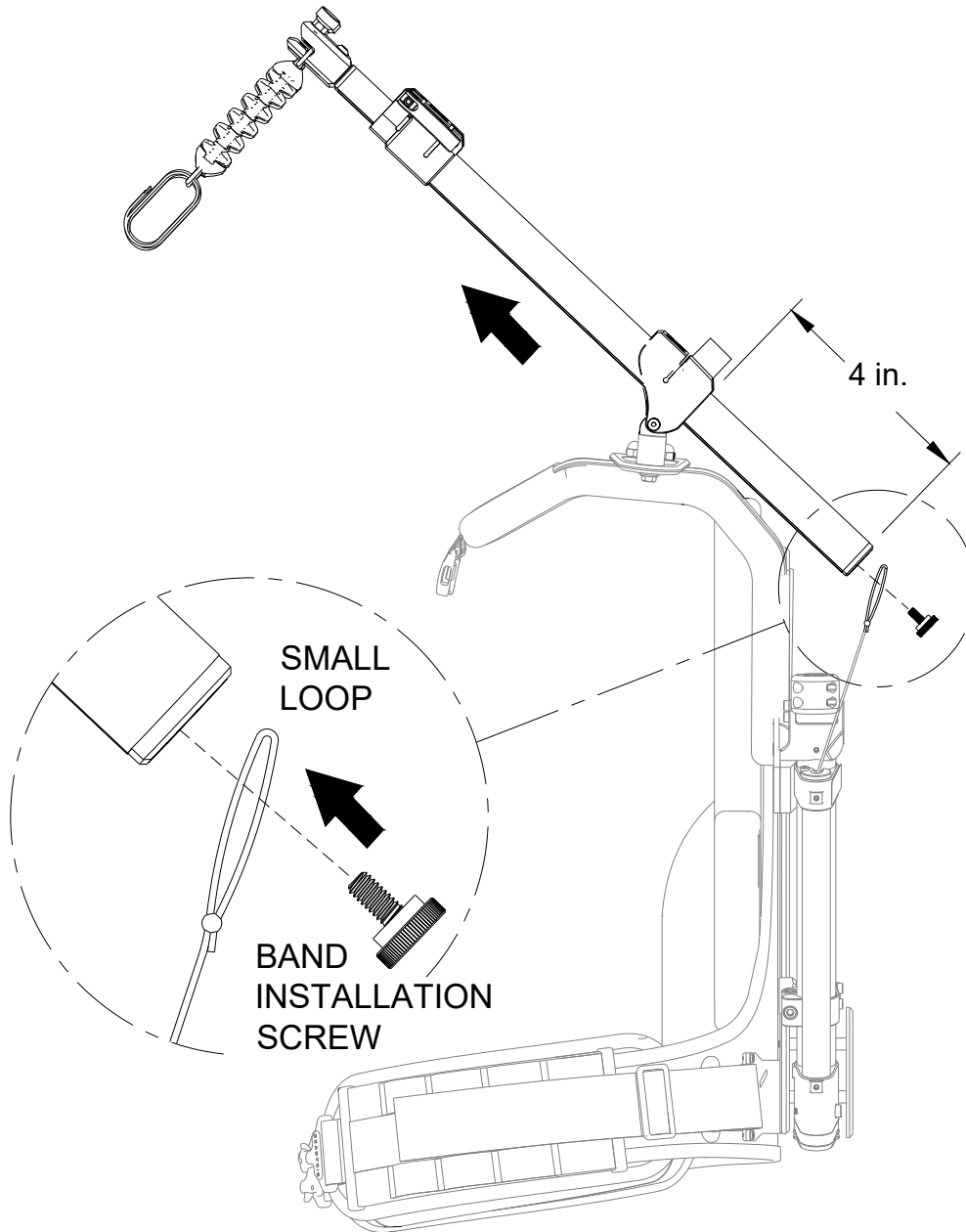
1. Tie the LARGE LOOP of BAND INSTALLATION ROPE to head of POLYCORE BAND.
2. Thread the BAND INSTALLATION ROPE into VEGA UPGRADE as shown.
3. Move POLYCORE BAND through and be sure it aligns onto the PULLEYs.



ASSEMBLY (cont.)

Loading the POLYCORE BAND inside the VEGA UPGRADE.

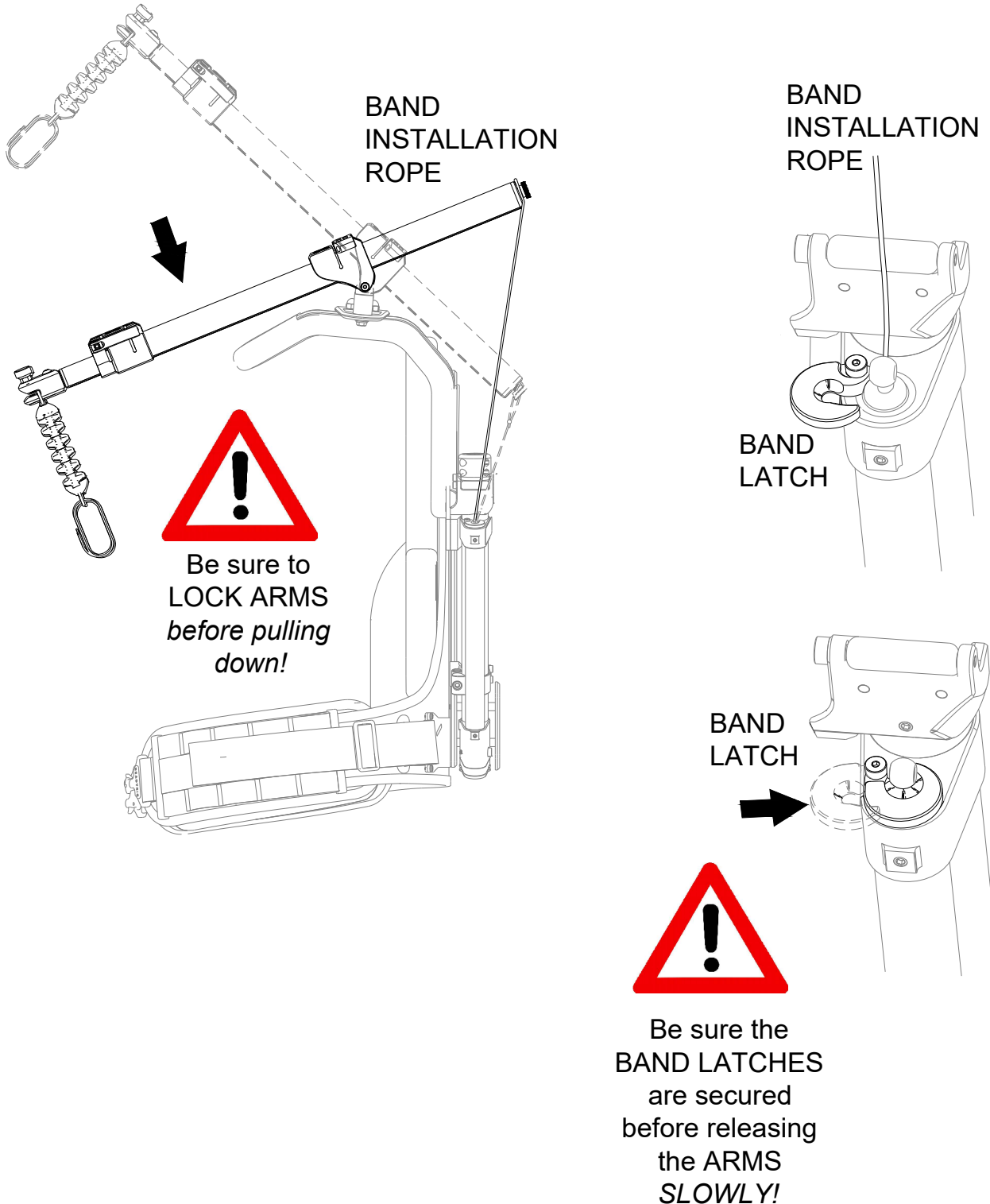
1. Flip open SHOULDER FULCRUM LEVER and secure LARGE LOOP to ARM.
2. Pull up on ARM until 4 inches remain on the bottom and lock SHOULDER FULCRUM LEVER.
3. Pull down on ARMS until head of POLYCORE BAND emerges from VEGA UPGRADE.
4. While holding ARMS down, lock the BAND LATCH around head of POLYCORE BAND.



ASSEMBLY (cont.)

Loading the POLYCORE BAND inside the VEGA UPGRADE.

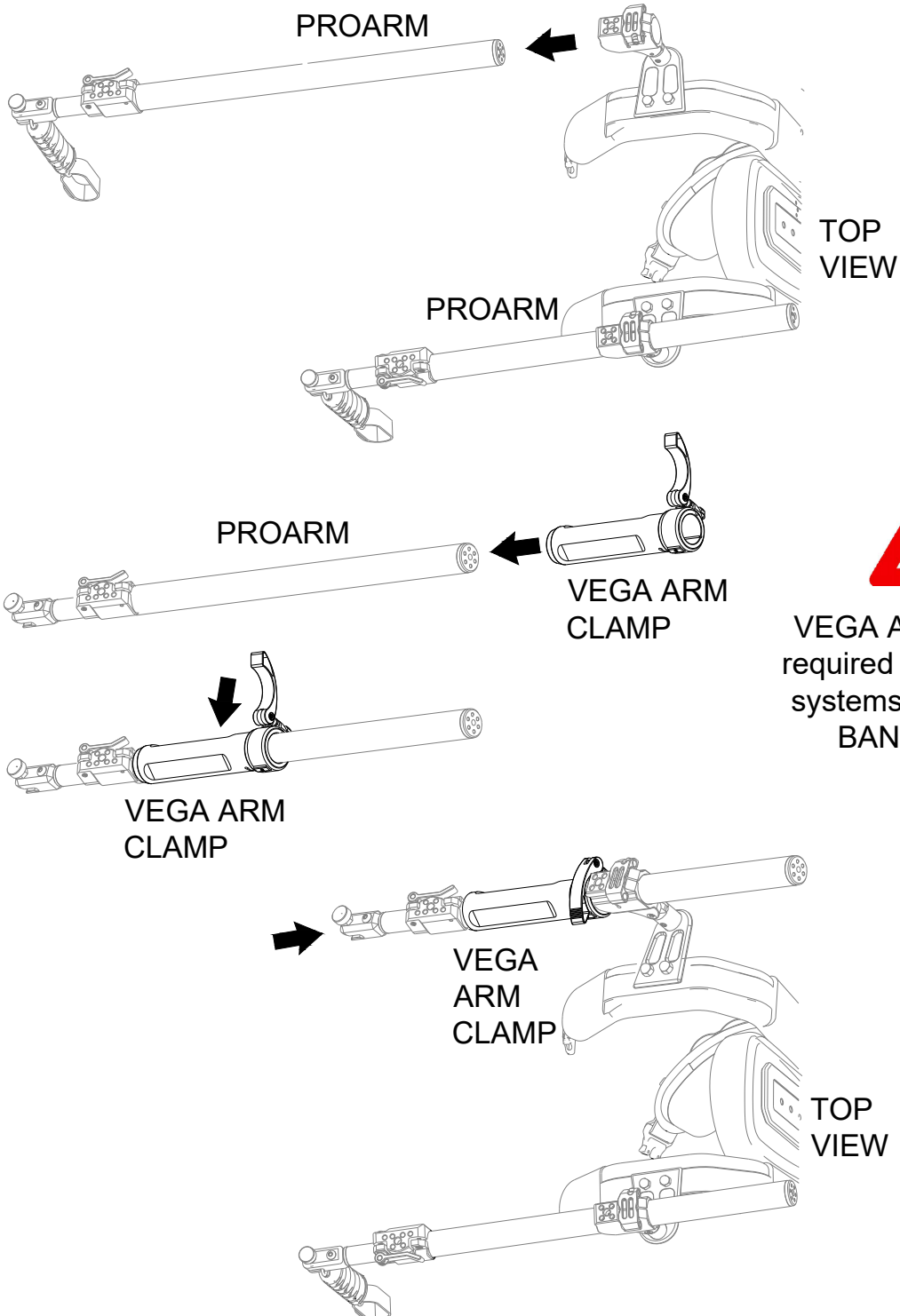
5. When BAND LATCHES are secured, undo the SMALL LOOP.
6. Reinstall END CAPS.



ASSEMBLY (cont.)

Installing the VEGA ARM CLAMPs to the PROARMS.

1. Remove the PROARMS and slide VEGA ARM CLAMPs onto the PROARMS.
2. Lock the VEGA ARM CLAMPs to the arms.
3. Return the PROARMS to the READY RIG.

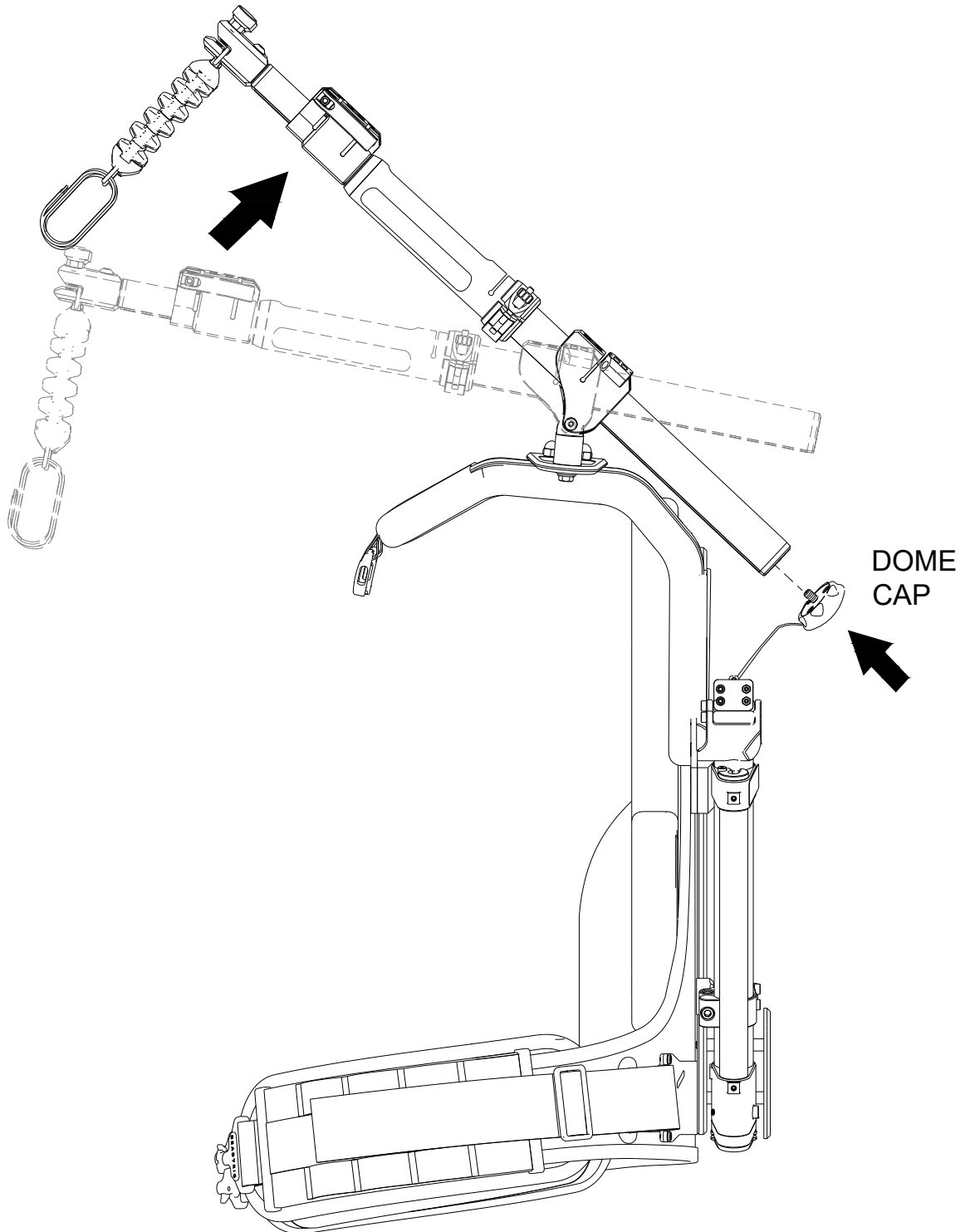


VEGA ARM CLAMPS are required when using VEGA systems with POLYCORE BAND V2 installed.

ASSEMBLY (cont.)

Final assembly of the VEGA UPGRADE.

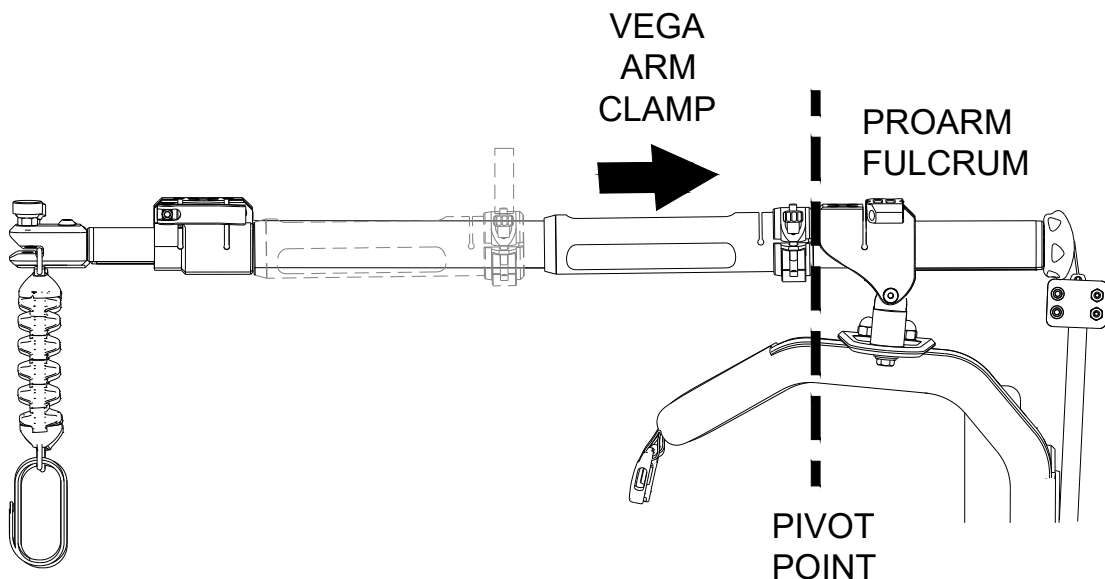
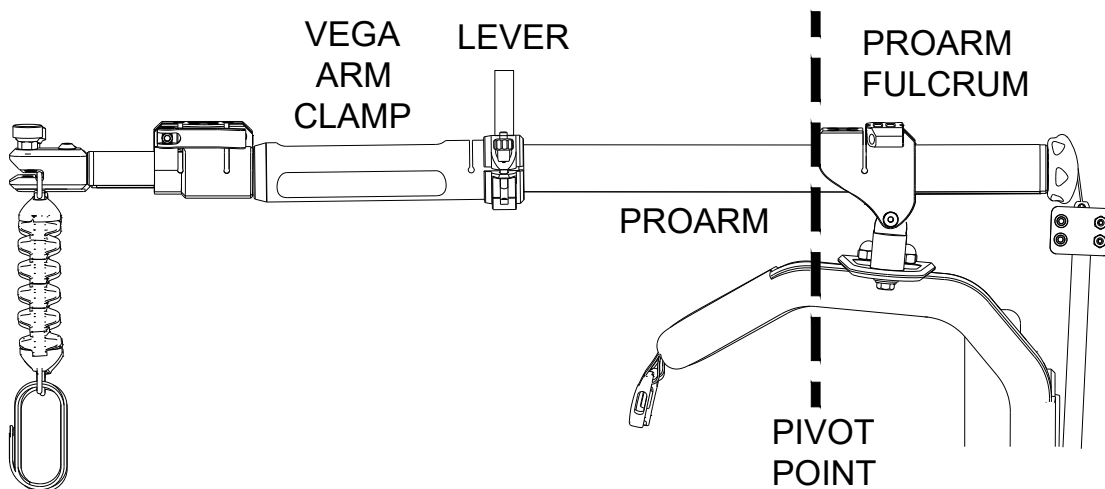
1. Tilt PROARMS up to reach Vega Upgrade at the back of the rig and lock PROARMS position on rig.
 2. Secure the DOME CAP to PROARMS.
- Your READY RIG upgrade is now complete.



USING THE VEGA ARM CLAMP

Use the VEGA ARM CLAMPS to remember pivot points along the PROARMS.

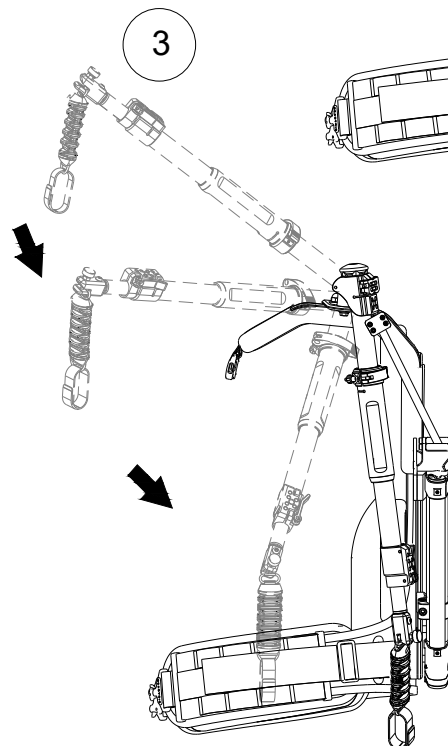
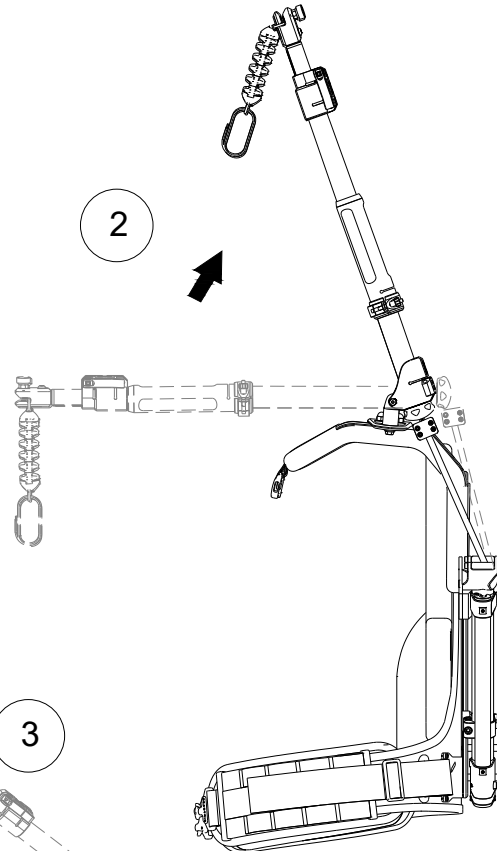
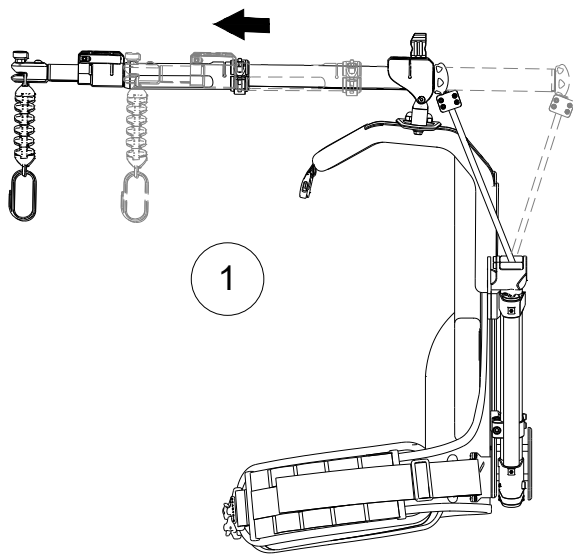
1. Adjust the PROARMS along the PROARM FULCRUM into desired position as normal.
2. Release the VEGA ARM CLAMPS from the PROARMS by flipping up the LEVERs.
3. Slide the VEGA ARM CLAMPS until they contact the PROARM FULCRUM.
4. Lock down the LEVERs on the VEGA ARM CLAMPS.



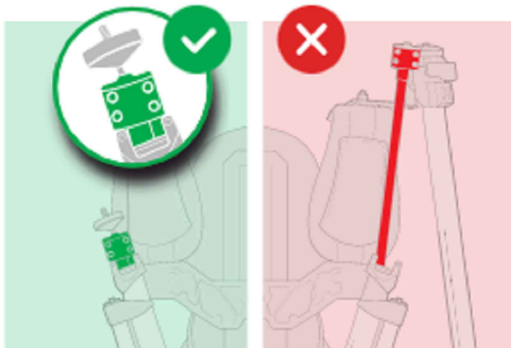
STOWING THE READY RIG PROARMS with VEGA

The VEGA allows users to stow the PROARMS away when not in use. When stowing the PROARMS, relieve the tension on the POLYCORE BANDS by moving the arms to the side of the READY RIG using the steps below:

1. Flip open SHOULDER FULCRUM LEVERs and move PROARMS away from the READY RIG until SHOULDER FULCRUMs contact the DOME CAP.
2. Lock SHOULDER FULCRUM LEVERs.
3. Swing PROARMS down along the sides of the READY RIG.



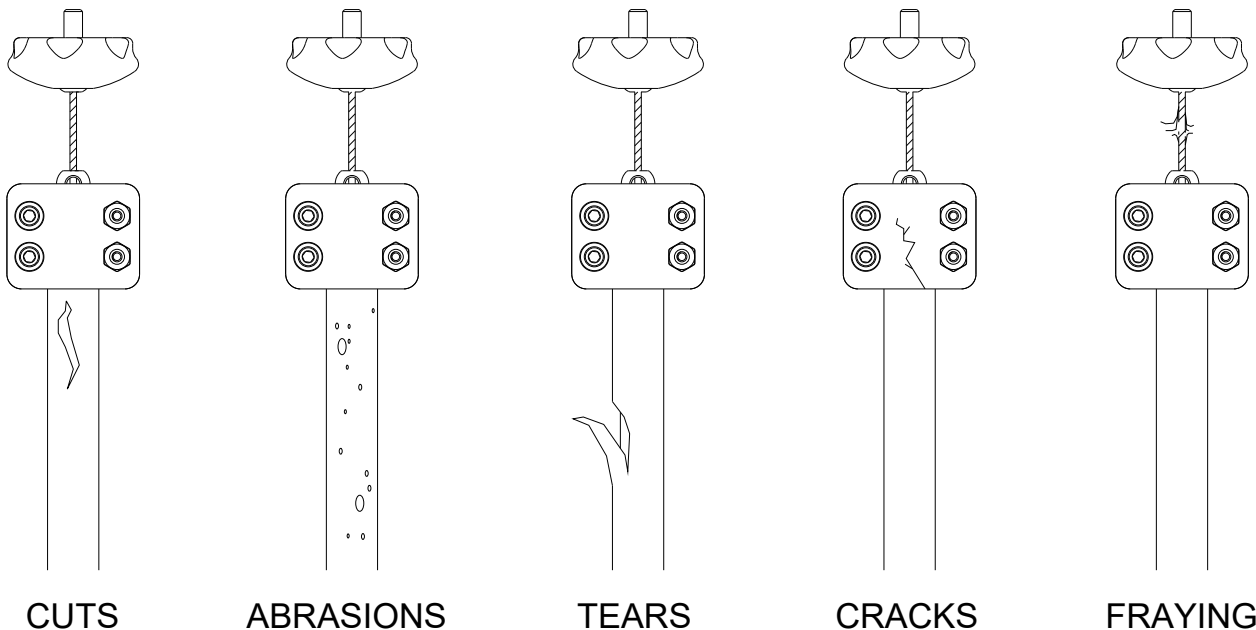
ALWAYS KEEP BANDS RETRACTED INSIDE THE VEGA CANISTERS WHEN NOT IN USE (this will extend the life of the POLYCORE BANDS).



POLYCORE BAND CARE

The POLYCORE BANDS are the heart of the VEGA system and require special attention and maintenance. Follow the recommendations below to keep the POLYCORE bands operating properly.

- Minimize exposure to direct sunlight and pollutants (such as vehicle exhaust) when not in use.
- NEVER lubricate the POLYCORE BANDS with ANY petroleum-based oils.
- NEVER use chemicals or soaps to clean the POLYCORE BANDS. We recommend using a commercial product called '303 Aerospace Protectant' to clean the bands.
- Always keep the bands retracted inside the VEGA canisters when not in use.
- Replace POLYCORE BANDS after one year - or when a significant drop in performance becomes noticeable.
- Replace POLYCORE BANDS that show signs of damage or significant wear (see examples below).



Limited Warranty Information

We're dedicated to making some of the most durable products on the planet. But sometimes the unexpected happens. So, if there's an issue with your Ready Rig product caused by a manufacturing defect, we provide the warranty below. To register your product for our 1-year limited warranty, please scan the QR to get started:



All Ready Rig products and their individual components are protected against all defects in material or workmanship for one (1) year after receipt of the Ready Rig product by the customer (the "Warranty Period"). This Limited Warranty is only applicable to United States purchases and in accordance with the following terms:

This limited warranty applies to the following products: Ready Rig VEGA Upgrade, Ready Rig VEGA Upgrade +Pro Arms | Ready Rig VEGA, Ready Rig GS +Pro Arms, and Ready Rig GS. Only the original owner of a Ready Rig purchased from Ready Rig's online or physical storefront is covered by this Limited Warranty. The Warranty Period begins upon your receipt of the product and shall end immediately upon the earlier of the end of the Warranty Period or any sale or transfer of the product to another person, and under no circumstances shall the Limited Warranty apply to any subsequent owner or other transferee of the product.

THIS LIMITED WARRANTY GIVES YOU SPECIFIC LEGAL RIGHTS AND YOU MAY ALSO HAVE OTHER RIGHTS, WHICH VARY FROM STATE TO STATE.

THIS LIMITED WARRANTY CAN ALSO BE FOUND AT WWW.READY-RIG.COM/WARRANTY AND IN THE DOCUMENTATION WE PROVIDE WITH THE PRODUCTS.

WE LIMIT THE DURATION AND REMEDIES OF ALL IMPLIED WARRANTIES, INCLUDING WITHOUT LIMITATION THE WARRANTIES OF MERCHANTABILITY AND FITNESS FOR A PARTICULAR PURPOSE, TO THE DURATION OF THIS LIMITED WARRANTY.

SOME STATES DO NOT ALLOW LIMITATIONS ON HOW LONG AN IMPLIED WARRANTY LASTS, SO THE ABOVE LIMITATION MAY NOT APPLY TO YOU. OUR RESPONSIBILITY FOR DEFECTIVE PRODUCTS IS LIMITED TO REPAIR, REPLACEMENT OR REFUND AS SET FORTH IN THIS WARRANTY STATEMENT. IN NO EVENT SHALL READY RIG BE LIABLE FOR ANY LOSS OF PROFIT, INDIRECT, INCIDENTAL, SPECIAL, PUNITIVE, OR CONSEQUENTIAL DAMAGES ARISING OUT OF OR RELATING TO THIS AGREEMENT OR THIS PRODUCT. NEITHER ANY PERFORMANCE OR OTHER CONDUCT, NOR ANY ORAL

Limited Warranty Information (cont.)

OR WRITTEN INFORMATION, STATEMENT OR ADVICE PROVIDED BY US OR ANY OF OUR SUPPLIERS, AGENTS OR EMPLOYEES WILL CREATE A WARRANTY, OR IN ANY WAY INCREASE THE SCOPE OR DURATION OF THIS LIMITED WARRANTY.

(a) Who May Use This Warranty?

This limited warranty extends only to the original purchaser of products. It does not extend to any subsequent or other owner or transferee of the product or any transferee or other beneficiary of the service.

(b) What Does This Warranty Cover?

This limited warranty covers during the Warranty Period (as defined below) defects in materials and workmanship in products and services purchased from the Site. All warranty returns shall be done in accordance with Ready Rig's warranty Return Merchandise Authorization ("RMA") policy.

(c) What Does This Warranty Not Cover?

This limited warranty does not cover any damages due to: transportation; storage; improper use or assembly; failure to follow the product instructions or to perform any preventive maintenance; modifications; combination or use with any products, materials, processes, systems or other matter not provided or authorized in writing by Ready Rig LLC; unauthorized service, unauthorized repair, or use of unauthorized parts; normal wear and tear; or external causes such as accidents, abuse, or other actions or events beyond our reasonable control, such as water damage, operator error, or misuse.

(d) What is the Period of Coverage?

This limited warranty starts on the date of your purchase and lasts for one (1) year (the "Warranty Period"). The Warranty Period is not extended if we repair or replace a warranted product or re-perform a warranted service. We may change the availability of this limited warranty at our discretion, but any changes will not be retroactive.

(e) What Are Your Remedies Under This Warranty?

With respect to any defective products during the Warranty Period, we will, in our sole discretion, repair or replace such products (or the defective part) free of charge. We will also pay for shipping and handling fees to return the repaired or replacement product to you if we elect to repair or replace the defective products.

(f) How Do You Obtain Warranty Service?

To obtain warranty service, you must email sales@ready-rig.com during the Warranty Period. No warranty service will be provided without contacting us and following instructions after contact. This warranty does not apply to the following: Normal wear and tear of any component, Consumables or normal wear and tear parts (including without limitation the bands). Any

Limited Warranty Information (cont.)

damage or defects to components resulting from failure to follow instructions in this manual, acts of God, accident, misuse, neglect, abuse, commercial use, alterations, modification, improper assembly, installation of parts or accessories not originally intended or compatible with the Ready Rig as sold, operator error, water damage, or improper maintenance. Ready Rig will not be liable and/or responsible for any damage, failure or loss caused by any unauthorized service or use of unauthorized parts. To file a warranty claim, email us at support@ready-rig.com - include your Ready Rig serial number(s), the date purchase, and a copy of the original sales receipt with dealer information in your email. When requesting warranty service/repair, A VALID PROOF OF PURCHASE MUST BE PROVIDED. After you have contacted and provided us with the necessary information, a Ready Rig technician will respond as soon as possible ((typically within 3-5 business days) after review of your request. Technical support program subject to change without notice. If your warranty claim is approved, you will be supplied with a Return Material Authorization number (RMA#). Product(s) must then be returned directly to Ready Rig in appropriate cardboard packaging offering sufficient degree of protection, postpaid and insured. Ready Rig, LLC will not be responsible for any loss or damage incurred in connection with the return of this product. A copy of the original sales receipt and the RMA number must be included with the product - shipments without an RMA number and copy of original sales receipt will be refused and returned to sender. We recommend keeping a copy of your tracking number for your records. Do not send any personal accessories or equipment. Ready Rig, LLC. will not be responsible for any lost or damaged accessories/equipment.

Product Terms and Conditions

THIS DOCUMENT CONTAINS VERY IMPORTANT INFORMATION REGARDING YOUR RIGHTS AND OBLIGATIONS, AS WELL AS CONDITIONS, LIMITATIONS, AND EXCLUSIONS THAT MIGHT APPLY TO YOU. PLEASE READ IT CAREFULLY.

THESE TERMS REQUIRE THE USE OF ARBITRATION TO RESOLVE DISPUTES, RATHER THAN JURY TRIALS OR CLASS ACTIONS.

BY USING THIS PRODUCT, YOU ACCEPT AND ARE BOUND BY THESE TERMS AND CONDITIONS.

YOU MAY NOT USE THIS PRODUCT IF YOU (A) DO NOT AGREE TO THESE TERMS AND (B) ARE NOT THE OLDER OF (i) AT LEAST 18 YEARS OF AGE OR (ii) LEGAL AGE TO FORM A BINDING CONTRACT WITH READY RIG LLC,

UNDER NO CIRCUMSTANCES, WHETHER FOR BREACH OF WARRANTY, BREACH OF CONTRACT, NEGLIGENCE, OR OTHER TORT, OR ANY STRICT LIABILITY THEORY, WILL READY RIG BE LIABLE FOR ANY INCIDENTAL OR CONSEQUENTIAL DAMAGES. Some States do not allow the exclusion or limitation of incidental or consequential damages, so the above limitation or exclusion may not apply to you. This warranty covers only repair or replacement for defective Ready Rig, LLC products, as provided above. This warranty excludes 3rd party equipment, and or equipment attached to

Product Terms and Conditions (cont.)

Ready Rig, LLC. products. No Ready Rig reseller, agent, or employee is authorized to make any modification, extension, or addition to this warranty. In the event of a claim, Ready Rig, LLC's sole obligation shall be repair/replacement of the product. In no event will Ready Rig, LLC. be responsible for incidental, consequential, or special loss of property, however caused. In no event will Ready Rig, LLC.'s employees have any personal liability whatsoever. This one-year warranty is the sole and exclusive warranty for Ready Rig, LLC.'s products. No employee, agent, dealers, or other person is authorized to alter this warranty or make any other warranty on behalf of Ready Rig, LLC. This warranty applies only to Ready Rig brand products that have been purchased from authorized dealers or other sellers. Ready Rig, LLC may, at its sole, refuse to honor the warranty of any such unauthorized product that may be presented for repair. Please see the full Terms & Conditions for additional details:

<https://www.ready-rig.com/pages/licensing>.

THE REMEDIES DESCRIBED ABOVE ARE YOUR SOLE AND EXCLUSIVE REMEDIES AND OUR ENTIRE OBLIGATION AND LIABILITY FOR ANY BREACH OF THIS LIMITED WARRANTY. OUR LIABILITY WILL UNDER NO CIRCUMSTANCES EXCEED THE ACTUAL AMOUNT PAID BY YOU FOR THE DEFECTIVE PRODUCT THAT YOU HAVE PURCHASED THROUGH THE SITE, NOR WILL WE UNDER ANY CIRCUMSTANCES BE LIABLE FOR ANY LOSS OF PRODUCTION, WORK, DATA, USE, BUSINESS, GOODWILL, REPUTATION, REVENUE OR PROFIT, ANY DIMINUTION IN VALUE, COSTS OF REPLACEMENT GOODS, OR ANY CONSEQUENTIAL, INCIDENTAL, SPECIAL OR PUNITIVE DAMAGES OR LOSSES, WHETHER DIRECT OR INDIRECT. SOME STATES DO NOT ALLOW THE EXCLUSION OR LIMITATION OF INCIDENTAL OR CONSEQUENTIAL DAMAGES, SO THE ABOVE LIMITATION OR EXCLUSION MAY NOT APPLY TO YOU.

Indemnification. You agree to indemnify, defend, and hold Ready Rig LLC and our officers, agents and other representatives harmless from all demands, claims, actions, causes of actions, proceedings, suits, assessments, losses, damages, liabilities, settlements, judgments, fines, penalties, interest, costs and expenses incurred (including fees and disbursements of legal counsel) of every kind (i) based upon personal injury or death or injury to property to the extent any of the foregoing is proximately caused by the misuse of the product or by your negligent or willful acts or omissions or (ii) based on any breach of this agreement by you, in particular any use of our proprietary rights in the product as identified in Section 9.

Governing Law and Jurisdiction. All matters arising out of or relating to these Terms are governed by and construed in accordance with the internal laws of the State of California without giving effect to any choice or conflict of law provision or rule (whether of the State of California or any other jurisdiction) that would cause the application of the laws of any jurisdiction other than those of the State of California.

Dispute Resolution and Binding Arbitration.

(a) YOU AND READY RIG LLC ARE AGREEING TO GIVE UP ANY RIGHTS TO LITIGATE CLAIMS IN A COURT OR BEFORE A JURY, OR TO PARTICIPATE IN A CLASS ACTION OR REPRESENTATIVE ACTION WITH RESPECT TO A CLAIM. OTHER RIGHTS THAT YOU

Product Terms and Conditions (cont.)

WOULD HAVE IF YOU WENT TO COURT MAY ALSO BE UNAVAILABLE OR MAY BE LIMITED IN ARBITRATION. ANY CLAIM, DISPUTE OR CONTROVERSY (WHETHER IN CONTRACT, TORT OR OTHERWISE, WHETHER PRE-EXISTING, PRESENT OR FUTURE, AND INCLUDING STATUTORY, CONSUMER PROTECTION, COMMON LAW, INTENTIONAL TORT, INJUNCTIVE AND EQUITABLE CLAIMS) BETWEEN YOU AND US ARISING FROM OR RELATING IN ANY WAY TO YOUR PURCHASE OF PRODUCTS OR SERVICES

THROUGH THE SITE, WILL BE RESOLVED EXCLUSIVELY AND FINALLY BY BINDING ARBITRATION.

(b) The arbitration will be administered by the American Arbitration Association ("AAA") in accordance with the Consumer Arbitration Rules (the "AAA Rules") then in effect, except as modified by this Section 13. (The AAA Rules are available at www.adr.org/arb_med or by calling the AAA at 1-800-778-7879.) The Federal Arbitration Act will govern the interpretation and enforcement of this section. The arbitrator will have exclusive authority to resolve any dispute relating to arbitrability and/or enforceability of this arbitration provision, including any unconscionability challenge or any other challenge that the arbitration provision or the Agreement is void, voidable or otherwise invalid. The arbitrator will be empowered to grant whatever relief would be available in court under law or in equity. Any award of the arbitrator(s) will be final and binding on each of the parties and may be entered as a judgment in any court of competent jurisdiction. If you prevail on any claim that affords the prevailing party attorneys' fees, the arbitrator may award reasonable fees to you under the standards for fee shifting provided by law.

(c) You may elect to pursue your claim in small-claims court rather than arbitration if you provide us with written notice of your intention to do so within 60 days of your purchase. The arbitration or small-claims court proceeding will be limited solely to your individual dispute or controversy.

(d) You agree to an arbitration on an individual basis. In any dispute, NEITHER YOU NOR READY RIG LLC WILL BE ENTITLED TO JOIN OR CONSOLIDATE CLAIMS BY OR AGAINST OTHER CUSTOMERS IN COURT OR IN ARBITRATION OR OTHERWISE PARTICIPATE IN ANY CLAIM AS A CLASS REPRESENTATIVE, CLASS MEMBER OR IN A PRIVATE ATTORNEY GENERAL CAPACITY. The arbitral tribunal may not consolidate more than one person's claims, and may not otherwise preside over any form of a representative or class proceeding. The arbitral tribunal has no power to consider the enforceability of this class arbitration waiver and any challenge to the class arbitration waiver may only be raised in a court of competent jurisdiction. If any provision of this arbitration agreement is found unenforceable, the unenforceable provision will be severed and the remaining arbitration terms will be enforced.

Severability. If any provision of these Terms is invalid, illegal, void or unenforceable, then that provision will be deemed severed from these Terms and will not affect the validity or enforceability of the remaining provisions of these Terms.

Disclaimer. Ready Rig LLC, its subsidiaries, affiliates, and authorized resellers do not assume any responsibility for losses incurred due to improper handling or configuration of the Ready Rig GS or other system components, and assumes no responsibility for any errors that may appear

Product Terms and Conditions (cont.)

in this document. This information is subject to change without notice. For instructions, safety, and product specification changes after this manual was published, refer to the latest published materials published at go.ready-rig.com/welcome. Ready Rig LLC, its subsidiaries, affiliates, and authorized resellers do not assume any liability for infringement of patents, copyrights, or other intellectual property rights of third parties by or arising from the use of Ready Rig products or any other liability arising from the use of such products. No license, express, implied, or otherwise, is granted under any patents, copyrights or other intellectual property right of Ready Rig LLC or others. Ready Rig LLC, its subsidiaries, affiliates, and authorized resellers expressly exclude any liability, warranty, demand or other obligation for any claim, representation, cause, action, or whatsoever, express or implied, whether in contract or not, including negligence, or incorporated in terms and conditions, whether by statute, law, or otherwise. In no event shall Ready Rig LLC, its subsidiaries, affiliates, and authorized resellers be liable for any special, direct, indirect, incidental, or consequential damages, including, but not limited to lost profits, lost savings, lost revenues, economic losses (of any kind), claims third parties, downtime, goodwill, damage to or replacement of equipment or property, any cost or recovery of any material or goods associated with the assembly or use of our products, or any other damages or injury of the persons and so on or under any other legal theory. If one or all of the foregoing clauses are not allowed by applicable law, the fullest extent permissible clauses by applicable law are validated.

Document revision: v20220125, April 19, 2022

Contact Information:

Ready Rig LLC
7095 Hollywood Blvd. Ste 1522
Hollywood, CA 90028 USA
support@ready-rig.com
www.ready-rig.com

Copyright © 2022 Ready Rig LLC

All Rights Reserved

No parts of this document may be reproduced without prior written consent of Ready Rig LLC. Specifications are subject to change without notice. Errors, omissions, and modifications excepted. READY RIG is a trademark or registered trademarks of Ready Rig LLC. All other brands or products are trademarks or registered trademarks of their respective holders and should be treated as such.

Trademarks Ready Rig®

Patents/Patents Pending For a list of patents and patents pending, refer to the Ready Rig website.