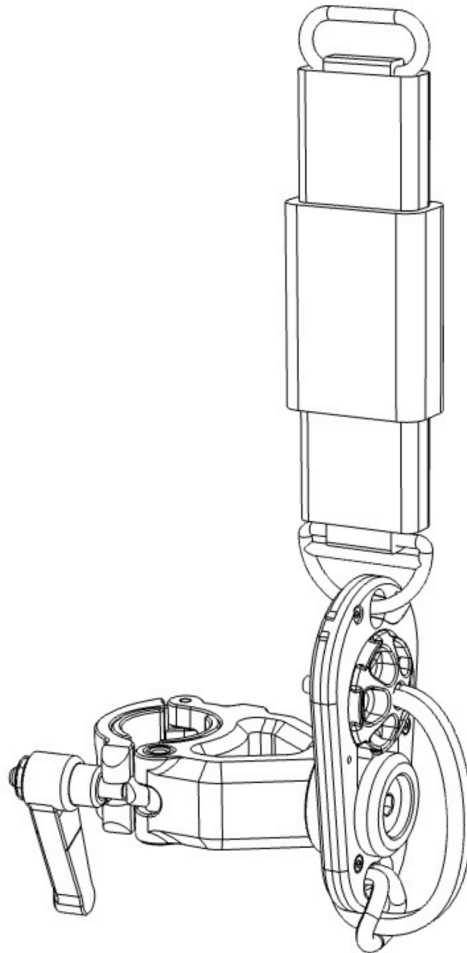


READY RIG[®]

Ready Rig Quick Connects v2 Manual v2023.08.17



You **MUST** read this manual in its entirety **BEFORE** operating your Ready Rig system.

BEFORE YOU START

It is important to read through, understand, and adhere to all instructions and safety warnings before operating your Ready Rig product.

Upon receiving and opening your Ready Rig product, please inspect the contents for signs of damage or loose screws from transport. If something doesn't feel right, please take a few pictures and contact your place of purchase immediately.

Your Ready Rig product comes with a one year limited warranty against manufacturing defects. In case of any issues beyond this time frame we will still help you out but may decide to charge a fee for spare parts or repairs. If you have purchased your Ready Rig from a dealer other than ready-rig.com, please contact them first in case of any issues. If you still need help or you have purchased directly from ready-rig.com, please feel free to contact us at support@ready-rig.com with any questions or concerns.

Make sure you understand and adhere to local rules, laws, and regulations. Using a Ready Rig comes with inherent risks and hazards. To minimize risk of falling or being injured, make sure you understand how to safely operate and control your Ready Rig. Always use good judgment and common sense.

Pursuant to our terms and conditions, Ready Rig LLC is not responsible for any indirect, consequential, punitive, incidental, or special damages, and you agree to indemnify and hold Ready Rig LLC harmless for damage or injury caused by your negligence.

Table of Contents

| | |
|---|-----------|
| BEFORE YOU START | 1 |
| Table of Contents | 3 |
| Safety Instructions and Recommendations | 4 |
| Important Safety Warnings | 5 |
| RISK OF INJURY - Safely Removing Tension from Ready Rig After Use | 6 |
| IMPORTANT: Safety Inspection Before Every Use | 7 |
| Product Overview | 8 |
| Quick Connects v2 Schematic | 9 |
| How to Setup Quick Connects — A Step-by-Step Guide | 10 |
| Step 1 — Determine the diameter of your gimbal ring, 25mm or 30mm | 10 |
| Step 2 — Find the center of gravity point of your gimbal setup | 11 |
| Step 3 — Attach your Quick Connects to the imaginary line and tighten down the lever clamps | 12 |
| Step 4 — Find vertical tilt center of gravity (up/down) | 13 |
| Step 5 — Balance Forward and Aft | 16 |
| Step 6 — Attach the Quick Connect straps to your Ready Rig | 18 |
| Step 7 — Put your Ready Rig on and reattach the Quick Connects to the gimbal. | 19 |
| Step 8 — Balance and adjust, if required. | 21 |
| Step 9 — Film your masterpiece. | 22 |
| Limited Warranty Information | 23 |
| Product Terms and Conditions | 26 |

Safety Instructions and Recommendations

Before use, please read, understand and follow the instructions in this manual.

- Safety is your responsibility.
- Perform a complete safety inspection before every use as described in this Ready Rig manual, and inspect your Ready Rig for damage, loose parts, screws, or signs of damage. Stop operation immediately and contact your place of purchase if something does not feel right.
- Ready Rig is a professional tool designed to be used on film sets that follow strict safety guidelines such as those published by the Industry-Wide Labor-Management Safety Committee for the Motion Picture and Television Industry. We recommend that you attend all safety classes required by your local camera union and follow all safety guidelines published on <https://www.csatf.org/production-affairs-safety/safety-bulletins/> prior to using our products.
- NEVER use a Ready Rig in an unsafe environment.
- If you have any safety questions or concerns, we recommend you contact the ICG Safety Hotline, (877-ICG-HOTLINE) or your regional camera union.
- Do not lend or rent your Ready Rig to anyone unfamiliar with its operation. Ensure any new users are familiar with these instructions.
- Ready Rig has been designed to allow users to hold camera weight longer than normal, but the system relies on the operator being well rested and physically fit. Know your own limits and take breaks. Using the system when tired can result in injury.
- The Ready Rig system uses spring loaded support arms, therefore there are inherent risks in operating such systems such as arm releasing and causing body injury. You must ensure that no one is near the arms when in use, or when removing camera payloads.
- Follow all local laws, regulations, and safety requirements.

Important Safety Warnings



WARNING DO NOT EXCEED MAXIMUM SYSTEM PAYLOAD:

Ready Rig GS Standard: Maximum weight capacity 30 lbs (13.6 kg) total, 15 lbs (6.8 kg) per arm. **Ready Rig GS + ProArm:** Maximum weight capacity 40 lbs (18.1 kg) total, 20 lbs (9 kg) per arm. **Ready Rig with VEGA Upgrade:** Maximum weight capacity 40 lbs (18.1 kg) total, 20 lbs (9 kg) per arm.



WARNING FALL AND DROWNING RISK: Never operate your Ready Rig in high risk environments such as any location with a falling risk, trip hazards, or open bodies of water. The system is attached to the body and a fall can potentially lead to catastrophic injury or death.



WARNING IMPACT HAZARD: The Ready Rig arms are spring loaded. Any rapid or uncontrolled release of the support arms, bungees/bands, or load can potentially cause catastrophic injury or death. You must maintain a safe distance from others at all times. When adjusting the system, stay clear of arms or moving components that are under tension.



WARNING: Discontinue use immediately if you experience any discomfort, pain, tingling, or numbness anywhere in your body. Consult a medical professional prior to attempting to use the product again. Refer to manual sizing chart and contact customer service for further assistance support@ready-rig.com



WARNING: Never use the Ready Rig as a safety harness. Ready Rig vests are not safety rated and should not be used to replace a safety harness.

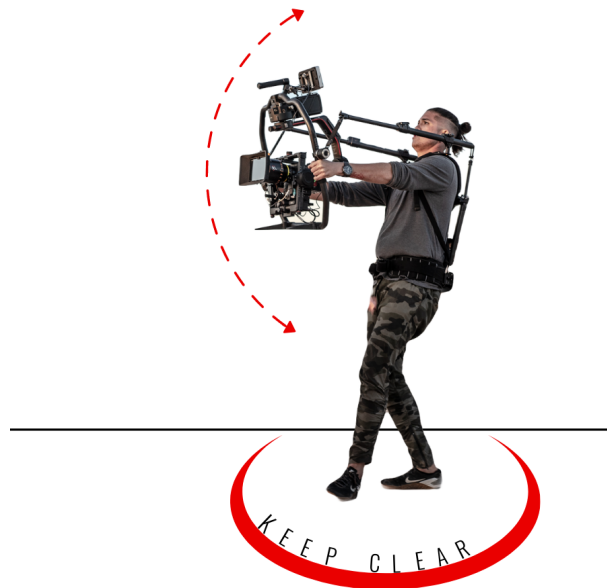


WARNING: Discontinue use if any component shows observable damage such as abrasions, cuts, gouges, or loose parts.

RISK OF INJURY - Safely Removing Tension from Ready Rig After Use

When removing tension from your Ready Rig, always be sure to release the tension from your ProArms gradually, in a controlled fashion, so they do not cause injury or damage. **We recommend that you keep one hand firmly on the ProArm while adjusting tension, as well as when you are attaching and detaching from your camera kit.**

 **MAINTAIN A SAFE DISTANCE**



For your safety and the safety of others, always be sure to maintain a safe distance from others when operating your Ready Rig, manipulating any Ready Rig settings, or when adding or removing a load from the system.



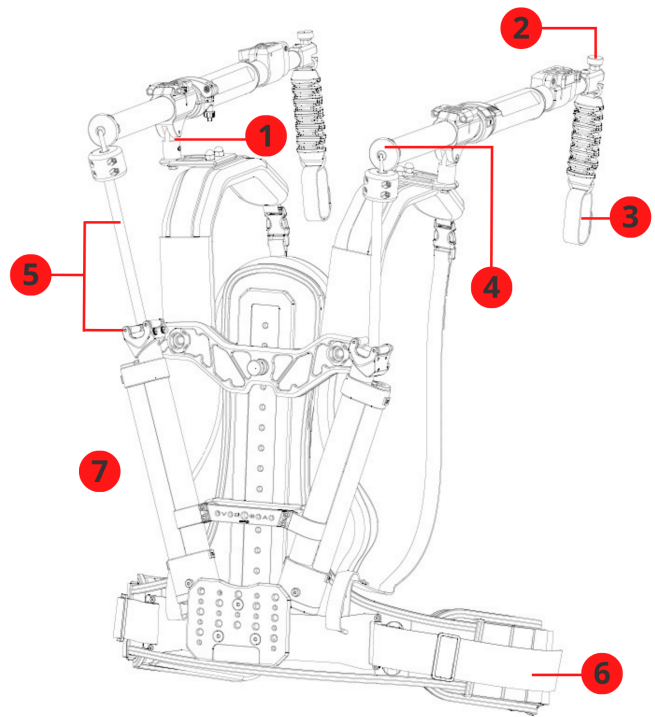
WARNING IMPACT HAZARD: The Ready Rig arms are spring loaded. Any rapid or uncontrolled release of the support arms, bungees/bands, or load can potentially cause catastrophic injury or death. You must maintain a safe distance from others at all times. When adjusting the system, stay clear of arms or moving components that are under tension.

IMPORTANT: Safety Inspection Before Every Use

Congratulations on your new Ready Rig! While this system is built to last, for your safety and the safety of others it is important to perform a safety inspection prior to every use to ensure safe operation:

1. Check the Shoulder Wing for any damage such as loose components or aluminum damage.
2. Check Cobra Quick Release - Make sure that the Spring Bolts function properly and that the Cobra Quick Release is securely fastened to the carbon fiber support arm.
3. Check Quick Connect Strap to make sure that there is no damage or missing components.
4. Check the Support Arm to make sure Power Bungee or VEGA bands are firmly attached to the Support Arms (ProArm or GS Arm).
5. Check Power Bungees/VEGA bands for any damage such as cracks, tears, abrasions, nicks, cuts, dents, or scuffing of the rubber.
6. Check Waist Belt to ensure buckle functions properly and that the belt material is not damaged in any way.
7. Inspect the entire product for loose or damaged components.
8. Ready Rig Quick Connects, inspect the Quick Connect body to ensure that it is securely attached to the gimbal. Check disconnect mechanism for damage, dirt, debris, and proper function before every use.

Safety Inspection



If you notice any issues during your inspection (for example, you notice visible damage to the Power Bungee or Vega Band) DO NOT OPERATE or use your Ready Rig. Please contact us as soon as possible, support@ready-rig.com

Product Overview



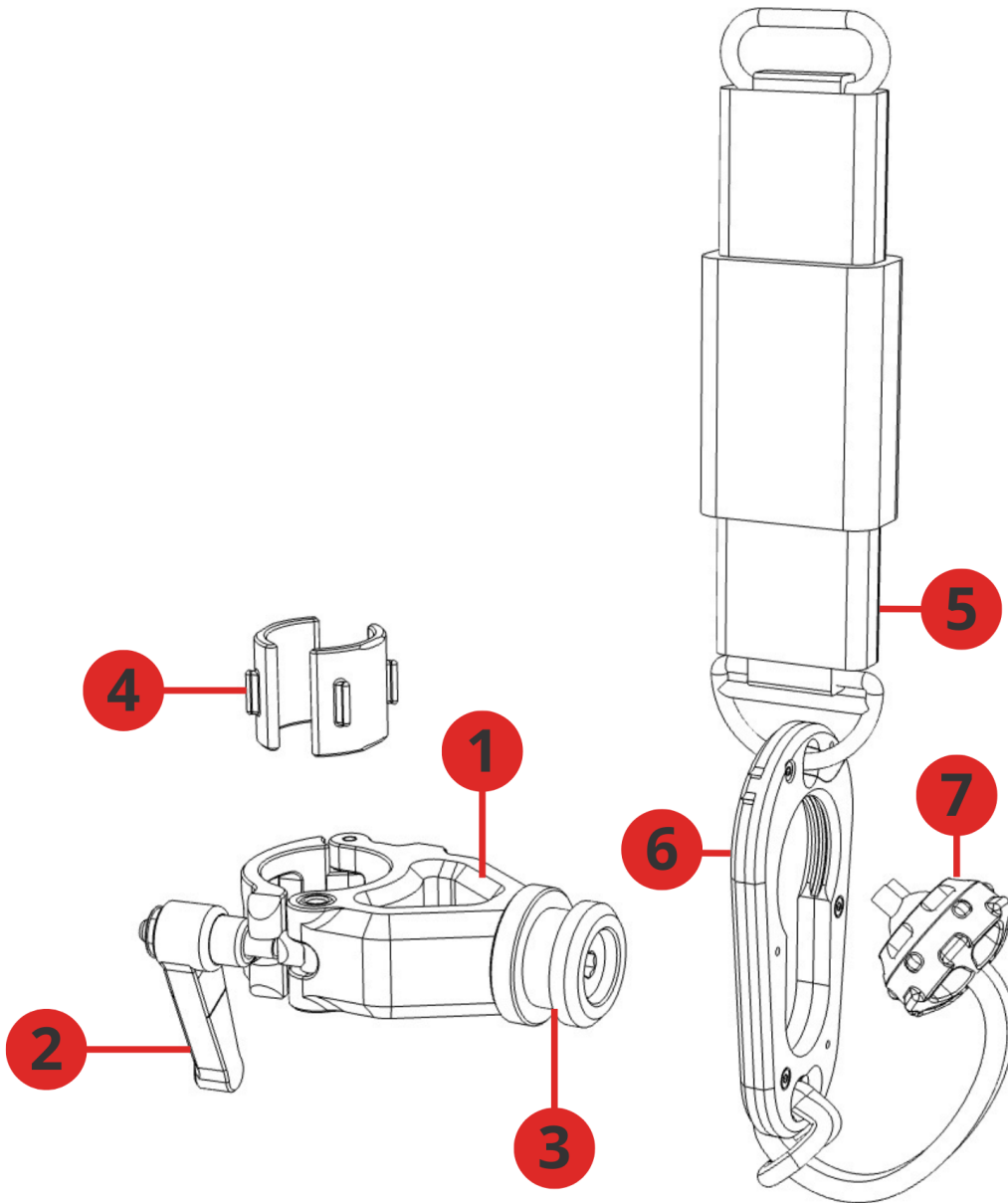
Ready Rig Quick Connect v2

SKU: RR-QCv2

Ready Rig Quick Connects v2 are accessory clamps that connect the Ready Rig to the sides of the gimbal ring and allow for effortless tilt control. They easily connect and disconnect to Ronin 2, Movi Pro, and other devices and are compatible with any gimbal ring with a tube diameters of 25mm or 30mm.

| Specifications & Features | Includes |
|--|---|
| <ul style="list-style-type: none">• Compatible with every 30mm and 25mm gimbal ring on the market, including Ronin 2, Movi Pro, and Tilta Rings for the DJI RS3.• Compatible with Ready Rig GS Standard, Ready Rig GS + ProArm, and Ready Rig VEGA.• 1/4-20" & 3/8-16" monitor and accessory mounts.• Machined Aerospace Aluminum and high-spec engineering Delrin construction.• Simple and reliable design.• Quickly and securely connect and disconnect within seconds.• Precise and effortless tilt control.• Featuring a safety latch and lightweight design. Each Strap is 67g (0.14 lbs) and the clamp is 112g (0.24 lbs), the total weight of 344.7g (.76 lbs). | <ul style="list-style-type: none">• 2x Quick Connect v2 Body• 2x Quick Connect Straps• 4x 25mm step-down spacers: Use these spacers on gimbal rings that have 25mm diameter tubing. |

Quick Connects v2 Schematic



1. Quick Connect Clamp
2. Lever
3. Connector Hub
4. 25mm Spacer

5. Bungee Strap
6. Connector Catch
7. Safety Plug

How to Setup Quick Connects — A Step-by-Step Guide

Step 1 — Determine the diameter of your gimbal ring, 25mm or 30mm

If you are using a Ronin 2, Movi Pro or other 30mm tube diameter ring, remove the 25mm spacer. To do this, use your nail to apply pressure and the spacer will pop out of the Quick Connect Body. Place 25mm spacers in the Quick Connect bag for later use.



Step 2 — Find the center of gravity point of your gimbal setup

Before attaching the Quick Connects, it's helpful to find the gimbal's approximate center of gravity. To determine this, you can visualize an imaginary line that goes from the top of the camera to the sides of the gimbal ring.



Step 3 — Attach your Quick Connects to the imaginary line and tighten down the lever clamps



Step 4 — Find vertical tilt center of gravity (up/down)

Similar to how you balance the vertical tilt on a gimbal, slide the Quick Connects up and down the gimbal ring until the gimbal center of gravity is in line with the Quick Connects. When the system is properly balanced, tilting the camera up and down will feel almost weightless with little resistance from the weight of the camera.



To get started balancing the vertical tilt, put your hands under the Quick Connect Clamps with the clamps resting on top of your hands and grip the gimbal ring. Slightly release your grip on the ring to let the gimbal freely rotate.



If the Ready Rig Quick Connect v2 clamps are mounted **too low**, the gimbal will want to flip upside down.



To fix this, slightly loosen the clamps and **move the Quick Connect Clamps up**.



If the Ready Rig Quick Connect v2 clamps are mounted **too high**, the gimbal will feel like it wants to settle in the correct orientation but tilting the camera up and down will feel difficult due to the camera's weight acting like a pendulum.



To fix this, **move the Quick Connect clamps down**.



Step 5 — Balance Forward and Aft

After balancing the vertical tilt (up/down), it's time to balance forward and aft. Place your hands under the Quick Connect body and slightly release your grip on the gimbal to allow the gimbal to rotate. If the ***gimbal falls towards you*** as you hold it, **slightly loosen** the Quick Connect's lever and ***rotate the Quick Connect Clamps towards yourself*** and retighten.



If the ***gimbal falls away from you*** as you hold it, **slightly loosen** the Quick Connect's lever and ***rotate the Quick Connect Clamps away from yourself*** and retighten.



Step 6 — Attach the Quick Connect straps to your Ready Rig

Attach the Quick Connect straps to the end of the Ready Rig support arms by lifting up the spring plunger and slotting Quick Connect Straps into the Cobra Quick Release slot.



Step 7 — Put your Ready Rig on and reattach the Quick Connects to the gimbal.

Load the Ready Rig support arms with tension. Next, grab the Quick Connect straps and bring the arms down **at the same time**. Once the Straps lined up with the Quick Connect Body, push the straps in and let the tension in the arms pull the strap upwards until the two components mate together.



Once the Quick Connects are securely, place the security plug into the receiver hole.



WARNING IMPACT HAZARD: The Ready Rig arms are spring loaded. Any rapid or uncontrolled release of the support arms, bungees/bands, or load can potentially cause catastrophic injury or death. You must maintain a safe distance from others at all times. When adjusting the system, stay clear of arms or moving components that are under tension.

Step 8 — Balance and adjust, if required.

At this point, you may want to adjust your Ready Rig arms to balance the camera package and provide more support.

You can also make smaller micro-adjustments to the Quick Connects on the gimbal by following the same steps mentioned above if necessary.

Important: If you do adjust the Quick Connects on the gimbal, make sure not to loosen the clamp too much while the Ready Rig arms are under tension, or the whole thing will slide straight up.

Step 9 — Film your masterpiece.

By now, you should have a very well-tuned setup to work long hours on set with ease.

Important: *Once you're ready to get back out of the system, remember that the arms are still under tension.*

When taking off the system, in the same way that you connected the Quick Connects simultaneously, it's best to also remove them from the camera package at the same time as well.

Limited Warranty Information

[Ready Rig VEGA Upgrade](#) | [Ready Rig VEGA Upgrade +ProArms](#) | [Ready Rig VEGA](#) | [Ready Rig GS +ProArms](#) | [Ready Rig GS](#)

We're dedicated to making some of the most durable products on the planet. But sometimes the unexpected happens. So if there's an issue with your Ready Rig product caused by a manufacturing defect, we provide the warranty below.

All Ready Rig products and their individual components are protected against all defects in material or workmanship for one (1) year after receipt of the Ready Rig product by the customer (the "Warranty Period"). This Limited Warranty is only applicable to United States purchases and in accordance with the following terms:

- Only the original owner of a Ready Rig purchased from Ready Rig's online or physical storefront is covered by this Limited Warranty. The Warranty Period begins upon your receipt of the product and shall end immediately upon the earlier of the end of the Warranty Period or any sale or transfer of the product to another person, and under no circumstances shall the Limited Warranty apply to any subsequent owner or other transferee of the product.

THIS LIMITED WARRANTY GIVES YOU SPECIFIC LEGAL RIGHTS AND YOU MAY ALSO HAVE OTHER RIGHTS, WHICH VARY FROM STATE TO STATE.

THIS LIMITED WARRANTY CAN ALSO BE FOUND AT WWW.READY-RIG.COM/WARRANTY AND IN THE DOCUMENTATION WE PROVIDE WITH THE PRODUCTS.

WE LIMIT THE DURATION AND REMEDIES OF ALL IMPLIED WARRANTIES, INCLUDING WITHOUT LIMITATION THE WARRANTIES OF MERCHANTABILITY AND FITNESS FOR A PARTICULAR PURPOSE, TO THE DURATION OF THIS LIMITED WARRANTY.

SOME STATES DO NOT ALLOW LIMITATIONS ON HOW LONG AN IMPLIED WARRANTY LASTS, SO THE ABOVE LIMITATION MAY NOT APPLY TO YOU.

OUR RESPONSIBILITY FOR DEFECTIVE PRODUCTS IS LIMITED TO REPAIR, REPLACEMENT OR REFUND AS SET FORTH IN THIS WARRANTY STATEMENT. NEITHER ANY PERFORMANCE OR OTHER CONDUCT, NOR ANY ORAL OR WRITTEN INFORMATION, STATEMENT OR ADVICE PROVIDED BY US OR ANY OF OUR SUPPLIERS, AGENTS OR EMPLOYEES WILL CREATE A WARRANTY, OR IN ANY WAY INCREASE THE SCOPE OR DURATION OF THIS LIMITED WARRANTY.

(a) [Who May Use This Warranty?](#)

This limited warranty extends only to the original purchaser of products. It does not extend to any subsequent or other owner or transferee of the product or any transferee or other beneficiary of the service.

(b) What Does This Warranty Cover?

This limited warranty covers during the Warranty Period (as defined below) defects in materials and workmanship in products and services purchased from the Site. All warranty returns shall be done in accordance with Ready Rig's warranty Return Merchandise Authorization ("RMA") policy.

(c) What Does This Warranty Not Cover?

This limited warranty does not cover any damages due to:

- i. transportation;
- ii. storage;
- iii. improper use or assembly;
- iv. failure to follow the product instructions or to perform any preventive maintenance;
- v. modifications;
- vi. combination or use with any products, materials, processes, systems or other matter not provided or authorized in writing by Ready Rig LLC;
- vii. unauthorized service, unauthorized repair, or use of unauthorized parts;
- viii. normal wear and tear; or
- ix. external causes such as accidents, abuse, or other actions or events beyond our reasonable control, such as water damage, operator error, or misuse.

(d) What is the Period of Coverage?

This limited warranty starts on the date of your purchase and lasts for one (1) year (the "**Warranty Period**"). The Warranty Period is not extended if we repair or replace a warranted product or re-perform a warranted service. We may change the availability of this limited warranty at our discretion, but any changes will not be retroactive.

(e) What Are Your Remedies Under This Warranty?

With respect to any defective products during the Warranty Period, we will, in our sole discretion, repair or replace such products (or the defective part) free of charge. We will also pay for shipping and handling fees to return the repaired or replacement product to you if we elect to repair or replace the defective products.

(f) How Do You Obtain Warranty Service?

To obtain warranty service, you must email sales@ready-rig.com during the Warranty Period. No warranty service will be provided without contacting us and following instructions after contact.

- Normal wear and tear of any component.
- Consumables or normal wear and tear parts (including without limitation the bands).
- Any damage or defects to components resulting from failure to follow instructions in this manual, acts of God, accident, misuse, neglect, abuse, commercial use, alterations, modification, improper assembly, installation of parts or accessories not originally intended or compatible with the Ready Rig as sold, operator error, water damage, or improper maintenance.
- Ready Rig will not be liable and/or responsible for any damage, failure or loss caused by any unauthorized service or use of unauthorized parts.

To file a warranty claim email us at support@ready-rig.com - include your Ready Rig serial number(s), the date purchase, and a copy of the original sales receipt with dealer information in your email. When requesting warranty service/repair, *a valid proof of purchase must be provided.*

After you have contacted and provided us with the necessary information, a Ready Rig technician will respond back within 3-5 business days after review of your request. Technical support program subject to change without notice.

If your warranty claim is approved, you will be supplied with a Return Material Authorization number (RMA#). Product(s) must then be returned directly to Ready Rig in appropriate cardboard packaging offering sufficient degree of protection, postpaid and insured. Ready Rig, LLC will not be responsible for any loss or damage incurred in connection with the return of this product.

A copy of the original sales receipt and the RMA number must be included with the product - shipments without an RMA number and copy of original sales receipt will be refused and returned to sender. We recommend keeping a copy of your tracking number for your records.

Do not send any personal accessories or equipment. Ready Rig, LLC. will not be responsible for any lost or damaged accessories/equipment.

Product Terms and Conditions

THIS DOCUMENT CONTAINS VERY IMPORTANT INFORMATION REGARDING YOUR RIGHTS AND OBLIGATIONS, AS WELL AS CONDITIONS, LIMITATIONS, AND EXCLUSIONS THAT MIGHT APPLY TO YOU. PLEASE READ IT CAREFULLY.

THESE TERMS REQUIRE THE USE OF ARBITRATION TO RESOLVE DISPUTES, RATHER THAN JURY TRIALS OR CLASS ACTIONS.

BY USING THIS PRODUCT, YOU ACCEPT AND ARE BOUND BY THESE TERMS AND CONDITIONS.

YOU MAY NOT USE THIS PRODUCT IF YOU (A) DO NOT AGREE TO THESE TERMS AND (B) ARE NOT THE OLDER OF (i) AT LEAST 18 YEARS OF AGE OR (ii) LEGAL AGE TO FORM A BINDING CONTRACT WITH READY RIG LLC,

UNDER NO CIRCUMSTANCES, WHETHER FOR BREACH OF WARRANTY, BREACH OF CONTRACT, NEGLIGENCE, OR OTHER TORT, OR ANY STRICT LIABILITY THEORY, WILL READY RIG BE LIABLE FOR ANY INCIDENTAL OR CONSEQUENTIAL DAMAGES. Some States do not allow the exclusion or limitation of incidental or consequential damages, so the above limitation or exclusion may not apply to you.

This warranty covers only repair or replacement for defective Ready Rig, LLC products, as provided above. This warranty excludes 3rd party equipment, and or equipment attached to Ready Rig, LLC. products. No Ready Rig reseller, agent, or employee is authorized to make any modification, extension, or addition to this warranty.

In the event of a claim, Ready Rig, LLC's sole obligation shall be repair/replacement of the product. In no event will Ready Rig, LLC. be responsible for incidental, consequential, or special loss of property, however caused. In no event will Ready Rig, LLC.'s employees have any personal liability whatsoever.

This one year warranty is the sole and exclusive warranty for Ready Rig, LLC.'s products. No employee, agent, dealers, or other person is authorized to alter this warranty or make any other warranty on behalf of Ready Rig, LLC.

This warranty applies only to Ready Rig brand products that have been purchased from authorized dealers or other sellers. **Ready Rig, LLC may, at its sole, refuse to honor the warranty of any such unauthorized product that may be presented for repair.**

Please see the [full Terms & Conditions](https://www.ready-rig.com/pages/licensing) for additional details:
<https://www.ready-rig.com/pages/licensing>

THE REMEDIES DESCRIBED ABOVE ARE YOUR SOLE AND EXCLUSIVE REMEDIES AND OUR ENTIRE OBLIGATION AND LIABILITY FOR ANY BREACH OF THIS LIMITED WARRANTY. OUR LIABILITY WILL UNDER NO CIRCUMSTANCES EXCEED THE ACTUAL

AMOUNT PAID BY YOU FOR THE DEFECTIVE PRODUCT THAT YOU HAVE PURCHASED THROUGH THE SITE, NOR WILL WE UNDER ANY CIRCUMSTANCES BE LIABLE FOR ANY LOSS OF PRODUCTION, WORK, DATA, USE, BUSINESS, GOODWILL, REPUTATION, REVENUE OR PROFIT, ANY DIMINUTION IN VALUE, COSTS OF REPLACEMENT GOODS, OR ANY CONSEQUENTIAL, INCIDENTAL, SPECIAL OR PUNITIVE DAMAGES OR LOSSES, WHETHER DIRECT OR INDIRECT.

SOME STATES DO NOT ALLOW THE EXCLUSION OR LIMITATION OF INCIDENTAL OR CONSEQUENTIAL DAMAGES, SO THE ABOVE LIMITATION OR EXCLUSION MAY NOT APPLY TO YOU.

Indemnification. You agree to indemnify, defend, and hold Ready Rig LLC and our officers, agents and other representatives harmless from all demands, claims, actions, causes of actions, proceedings, suits, assessments, losses, damages, liabilities, settlements, judgments, fines, penalties, interest, costs and expenses incurred (including fees and disbursements of legal counsel) of every kind (i) based upon personal injury or death or injury to property to the extent any of the foregoing is proximately caused by the misuse of the product or by your negligent or willful acts or omissions or (ii) based on any breach of this agreement by you, in particular any use of our proprietary rights in the product as identified in Section 9.

Governing Law and Jurisdiction. All matters arising out of or relating to these Terms are governed by and construed in accordance with the internal laws of the State of California without giving effect to any choice or conflict of law provision or rule (whether of the State of California or any other jurisdiction) that would cause the application of the laws of any jurisdiction other than those of the State of California.

Dispute Resolution and Binding Arbitration.

(a) YOU AND READY RIG LLC ARE AGREEING TO GIVE UP ANY RIGHTS TO LITIGATE CLAIMS IN A COURT OR BEFORE A JURY, OR TO PARTICIPATE IN A CLASS ACTION OR REPRESENTATIVE ACTION WITH RESPECT TO A CLAIM. OTHER RIGHTS THAT YOU WOULD HAVE IF YOU WENT TO COURT MAY ALSO BE UNAVAILABLE OR MAY BE LIMITED IN ARBITRATION.

ANY CLAIM, DISPUTE OR CONTROVERSY (WHETHER IN CONTRACT, TORT OR OTHERWISE, WHETHER PRE-EXISTING, PRESENT OR FUTURE, AND INCLUDING STATUTORY, CONSUMER PROTECTION, COMMON LAW, INTENTIONAL TORT, INJUNCTIVE AND EQUITABLE CLAIMS) BETWEEN YOU AND US ARISING FROM OR RELATING IN ANY WAY TO YOUR PURCHASE OF PRODUCTS OR SERVICES THROUGH THE SITE, WILL BE RESOLVED EXCLUSIVELY AND FINALLY BY BINDING ARBITRATION.

(b) The arbitration will be administered by the American Arbitration Association ("**AAA**") in accordance with the Consumer Arbitration Rules (the "**AAA Rules**") then in effect, except as modified by this Section 13. (The AAA Rules are available at www.adr.org/arb_med or by calling the AAA at 1-800-778-7879.) The Federal Arbitration Act will govern the interpretation and enforcement of this section.

The arbitrator will have exclusive authority to resolve any dispute relating to arbitrability and/or enforceability of this arbitration provision, including any unconscionability challenge or any other challenge that the arbitration provision or the Agreement is void, voidable or otherwise invalid.

The arbitrator will be empowered to grant whatever relief would be available in court under law or in equity. Any award of the arbitrator(s) will be final and binding on each of the parties and may be entered as a judgment in any court of competent jurisdiction.

If you prevail on any claim that affords the prevailing party attorneys' fees, the arbitrator may award reasonable fees to you under the standards for fee shifting provided by law.

(c) You may elect to pursue your claim in small-claims court rather than arbitration if you provide us with written notice of your intention do so within 60 days of your purchase. The arbitration or small-claims court proceeding will be limited solely to your individual dispute or controversy.

(d) You agree to an arbitration on an individual basis. In any dispute, **NEITHER YOU NOR READY RIG LLC WILL BE ENTITLED TO JOIN OR CONSOLIDATE CLAIMS BY OR AGAINST OTHER CUSTOMERS IN COURT OR IN ARBITRATION OR OTHERWISE PARTICIPATE IN ANY CLAIM AS A CLASS REPRESENTATIVE, CLASS MEMBER OR IN A PRIVATE ATTORNEY GENERAL CAPACITY.** The arbitral tribunal may not consolidate more than one person's claims, and may not otherwise preside over any form of a representative or class proceeding. The arbitral tribunal has no power to consider the enforceability of this class arbitration waiver and any challenge to the class arbitration waiver may only be raised in a court of competent jurisdiction.

If any provision of this arbitration agreement is found unenforceable, the unenforceable provision will be severed and the remaining arbitration terms will be enforced.

Severability. If any provision of these Terms is invalid, illegal, void or unenforceable, then that provision will be deemed severed from these Terms and will not affect the validity or enforceability of the remaining provisions of these Terms.

Disclaimer. Ready Rig LLC, its subsidiaries, affiliates, and authorized resellers do not assume any responsibility for losses incurred due to improper handling or configuration of the Ready Rig GS or other system components, and assumes no responsibility for any errors that may appear in this document. This information is subject to change without notice. For instructions, safety, and product specification changes after this manual was published, refer to the latest published materials published at go.ready-rig.com/welcome. Ready Rig LLC, its subsidiaries, affiliates, and authorized resellers do not assume any liability for infringement of patents, copyrights, or other intellectual property rights of third parties by or arising from the use of Ready Rig products or any other liability arising from the use of such products. No license, express, implied, or otherwise, is granted under any patents, copyrights or other intellectual property right of Ready Rig LLC or others.

Ready Rig LLC, its subsidiaries, affiliates, and authorized resellers expressly exclude any liability, warranty, demand or other obligation for any claim, representation, cause, action, or whatsoever, express or implied, whether in contract or not, including negligence, or incorporated in terms and conditions, whether by statute, law, or otherwise.

In no event shall Ready Rig LLC, its subsidiaries, affiliates, and authorized resellers be liable for any special, direct, indirect, incidental, or consequential damages, including, but not limited to lost profits, lost savings, lost revenues, economic losses (of any kind), claims third parties,

downtime, good-will, damage to or replacement of equipment or property, any cost or recovery of any material or goods associated with the assembly or use of our products, or any other damages or injury of the persons and so on or under any other legal theory. If one or all of the foregoing clauses are not allowed by applicable law, the fullest extent permissible clauses by applicable law are validated.

Document revision: v20230817, August 17th, 2023.

Contact Information:

Ready Rig LLC
7095 Hollywood Blvd. Ste 1522
Hollywood, CA 90028
USA

support@ready-rig.com

www.ready-rig.com

Copyright

© 2023 Ready Rig LLC

All Rights Reserved

No parts of this document may be reproduced without prior written consent of Ready Rig LLC. Specifications are subject to change without notice. Errors, omissions, and modifications excepted. READY RIG is a trademark or registered trademarks of Ready Rig LLC. All other brands or products are trademarks or registered trademarks of their respective holders and should be treated as such.

Trademarks

Ready Rig ®

Patents/Patents Pending

For a list of patents and patents pending, refer to the Ready Rig website.