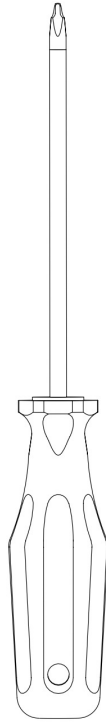


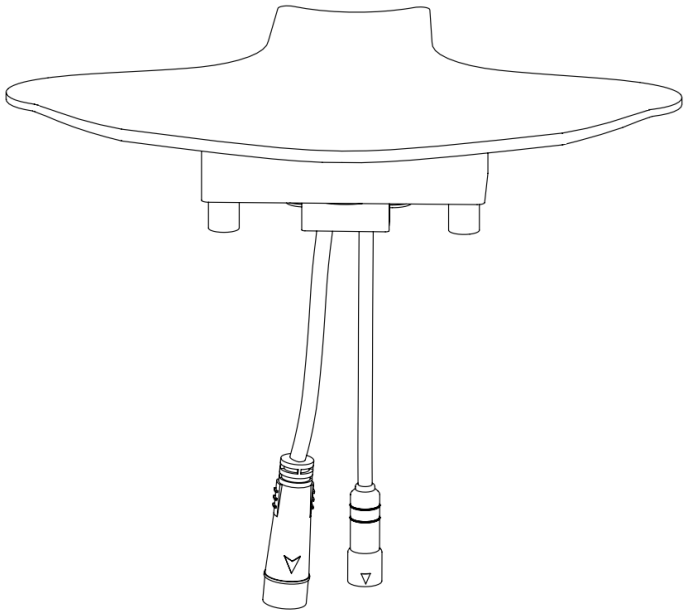
Replacing the display module on Evie S1 and T1

Tools



#1 Philip screw driver

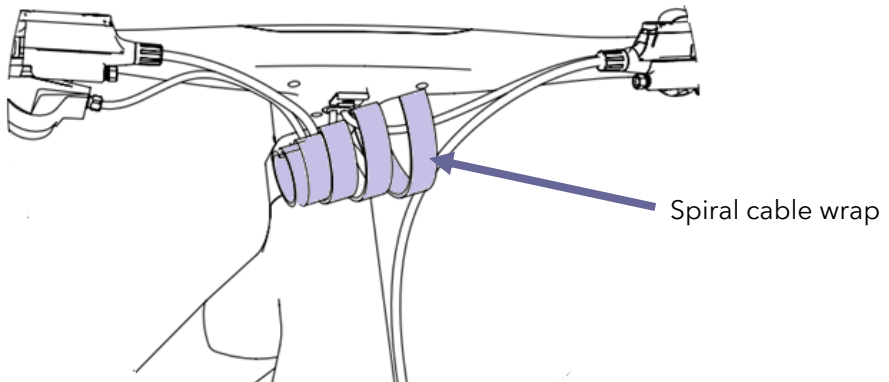
Component



Display module

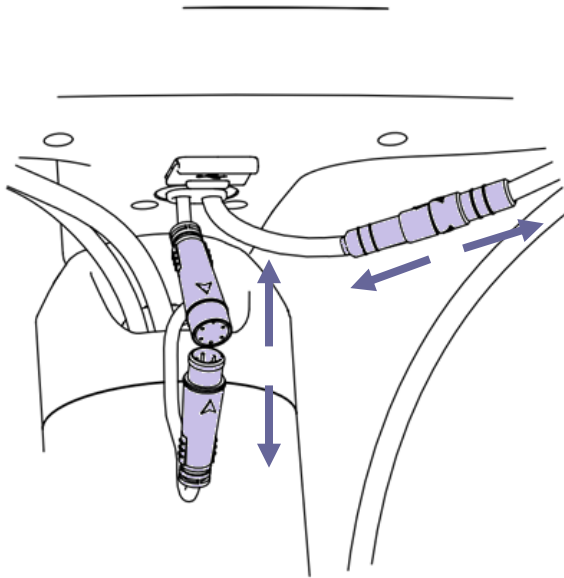
Step 1

Open the spiral cable wrap under the handle bar



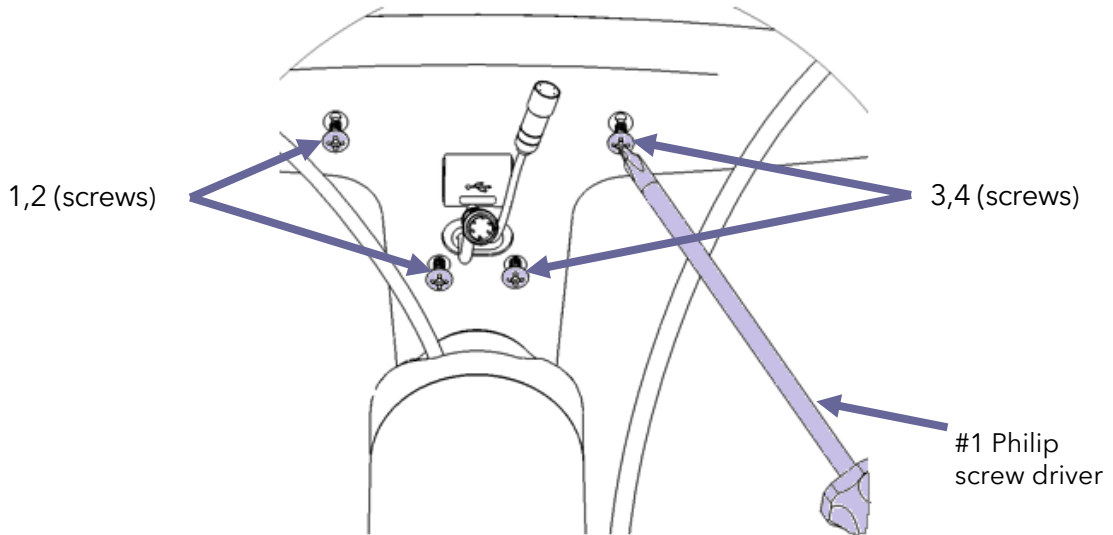
Step 2

Unplug the two cable under the handle bar



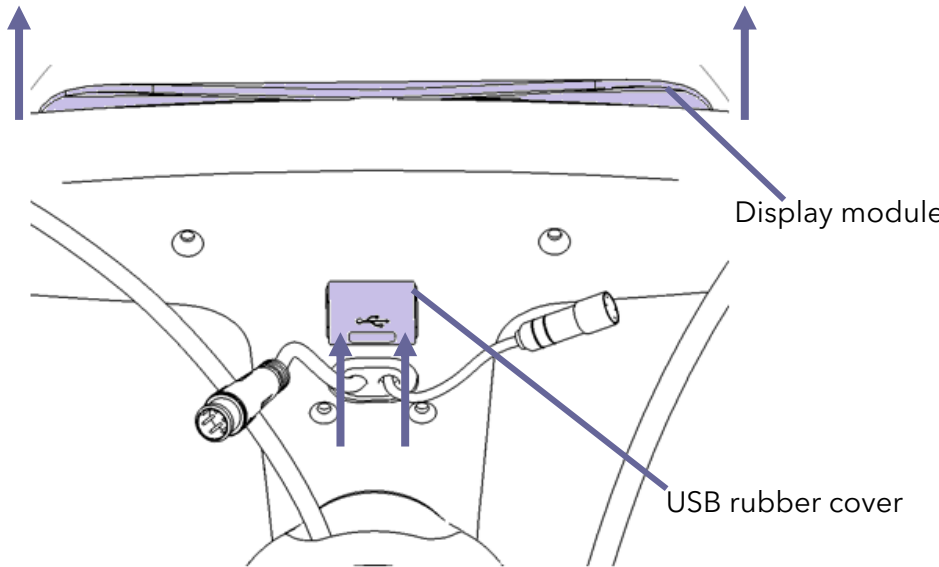
Step 3

Loosen up all four screw underneath the handle bar by using size #1 Philip screw driver



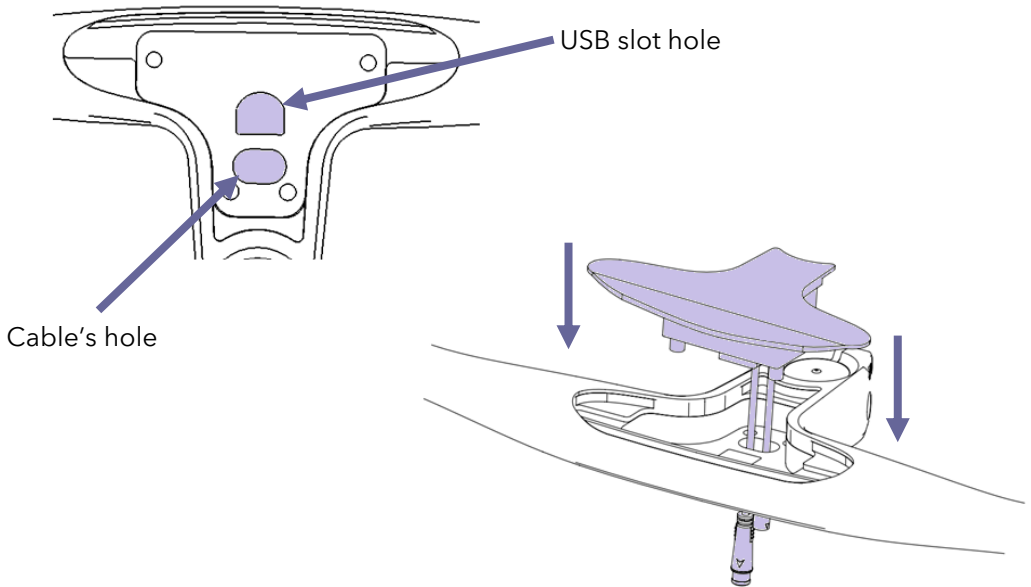
Step 4

Gently push the USB cover from below the handle bar until the display module pops up to remove the display module



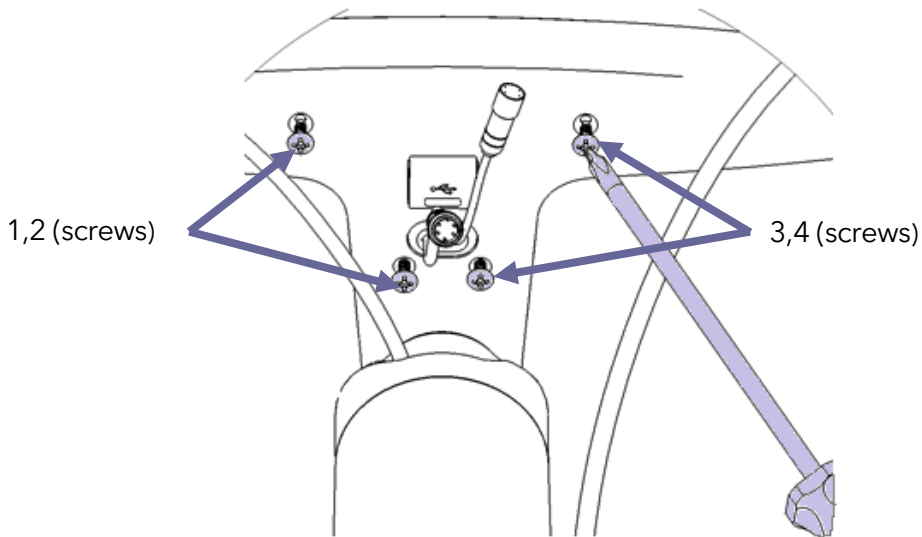
Step 5

Make sure the USB slot and the cables are in the right hole and insert the new display module into the slot



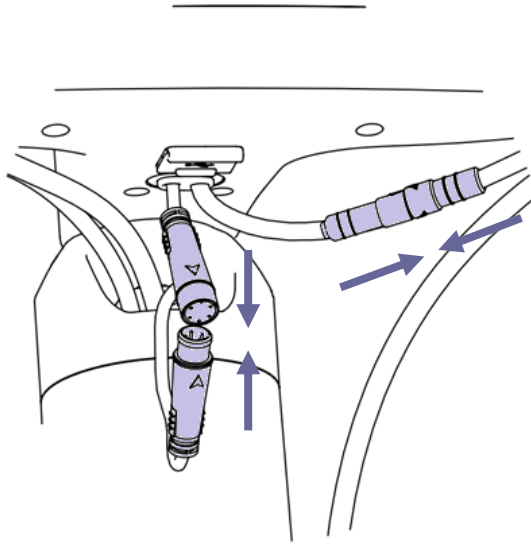
Step 6

Reattach all four screws underneath the handle bar using the #1 Philip screw driver



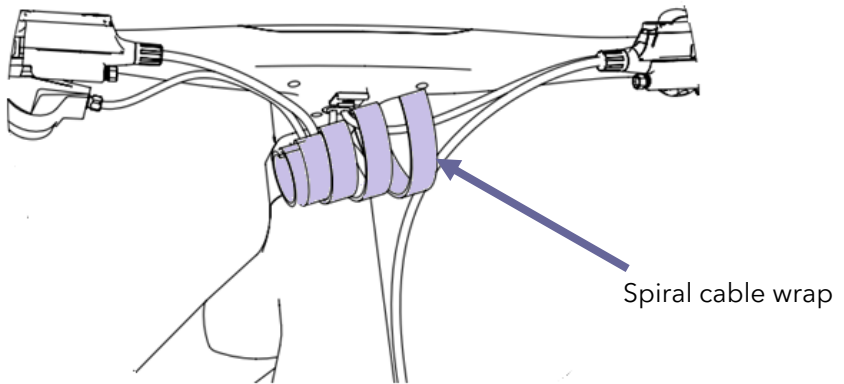
Step 7

Plug all the cable back underneath the handle bar



Step 8

Wrap all the cable back using the spiral cable wrap



Step 9

Check the display module if it's working using the button on the left side on the handle bar. Make sure there is no "Error" message showing on the display screen

