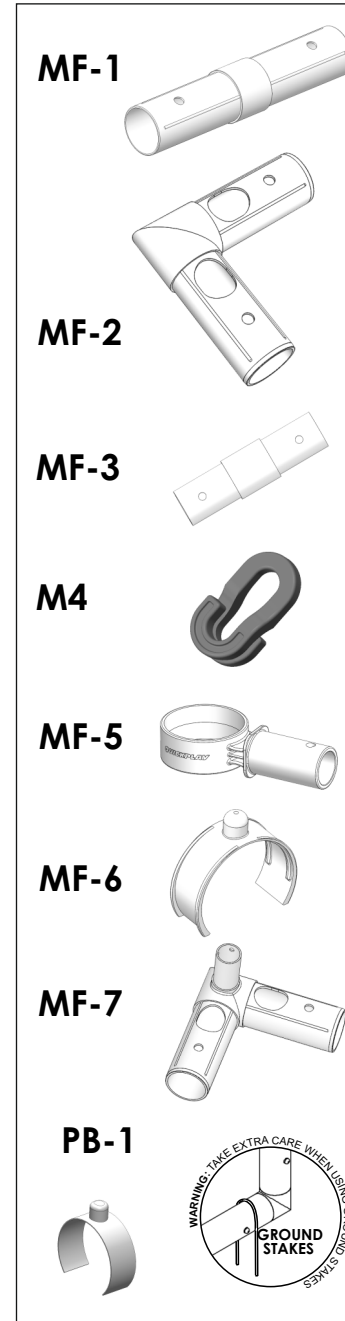
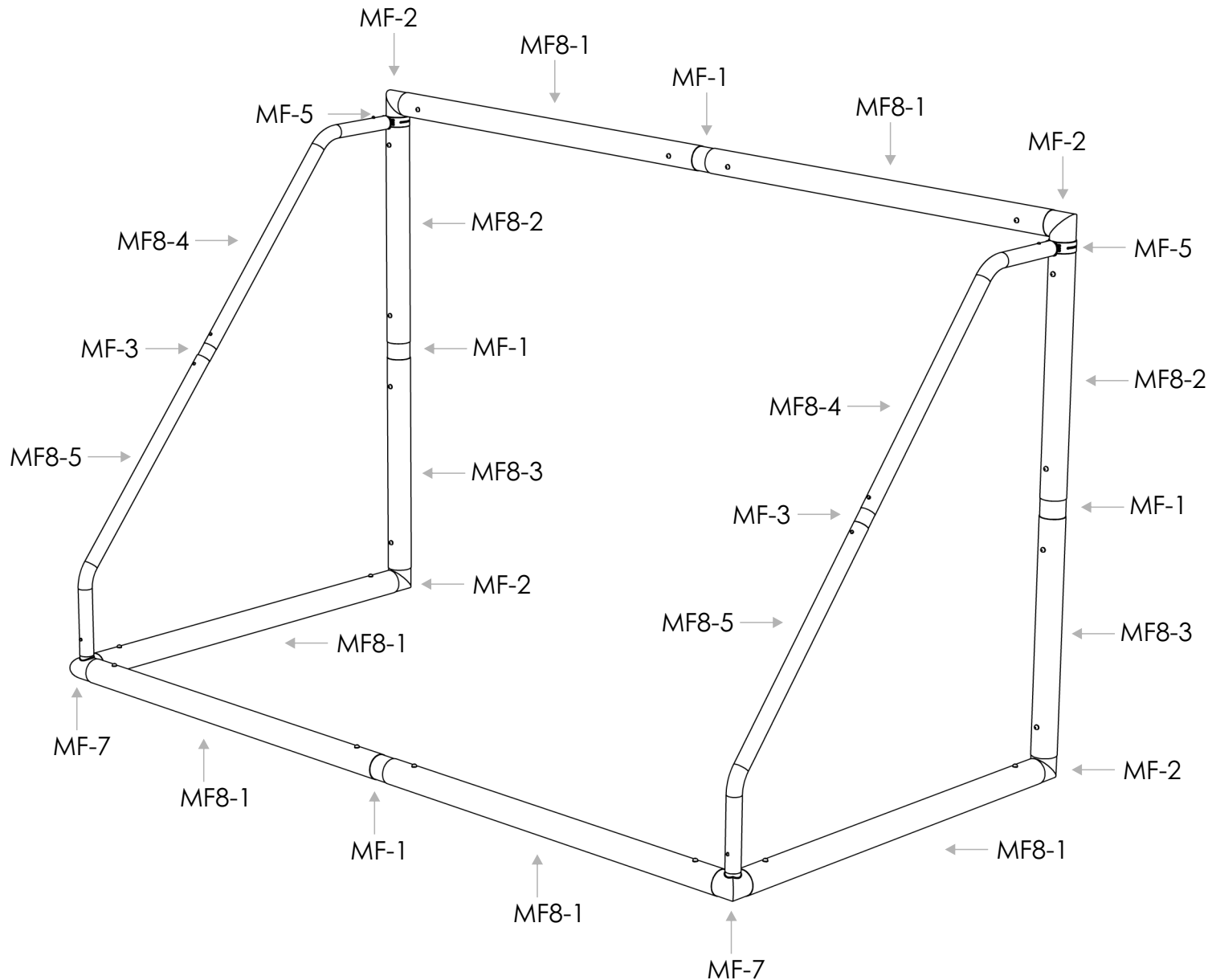


# Q-FOLD MATCH 8x5FT

MATCH STANDARD SOCCER GOAL, ALL WEATHER UPVC



Item No.	Quantity
<b>UPVC TUBES</b>	
MF8-1	6
MF8-2	2
MF8-3	2
MF8-4	2
MF8-5	2
<b>CONNECTORS</b>	
MF-1	4
MF-2	4
MF-3	2
MF-4	24
MF-5	2
MF-6	20
MF-7	2
PB-1	8
NET	1
Ground stakes	4

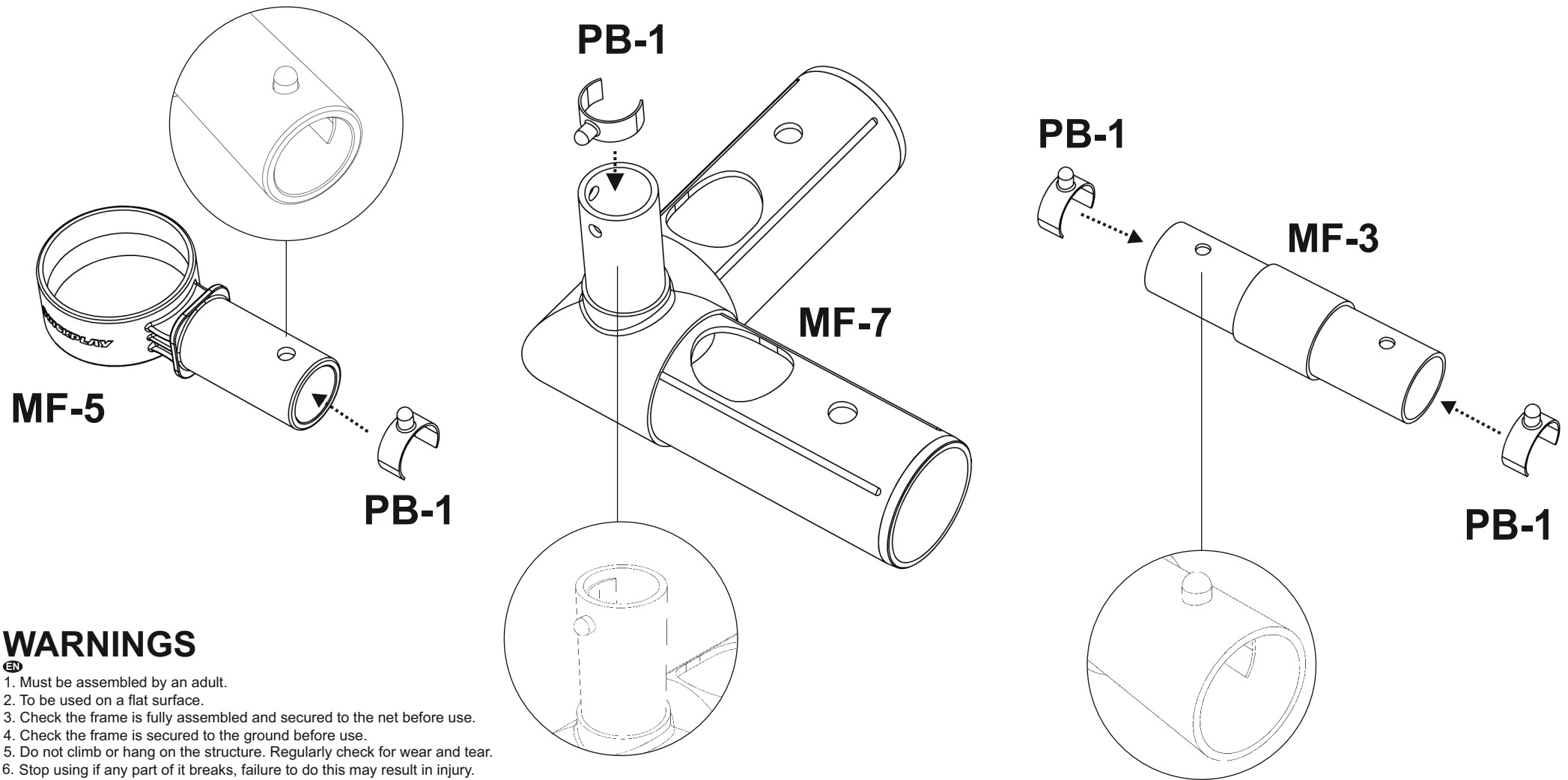
**QUICKPLAY™**

PLEASE REGISTER WARRANTY @ [WWW.QUICKPLAYSPORT.COM](http://WWW.QUICKPLAYSPORT.COM)

# STEP A

## ADD PARTS

Insert part **PB-1** into connectors **MF-5**, **MF-3** & **MF-7**



### WARNINGS

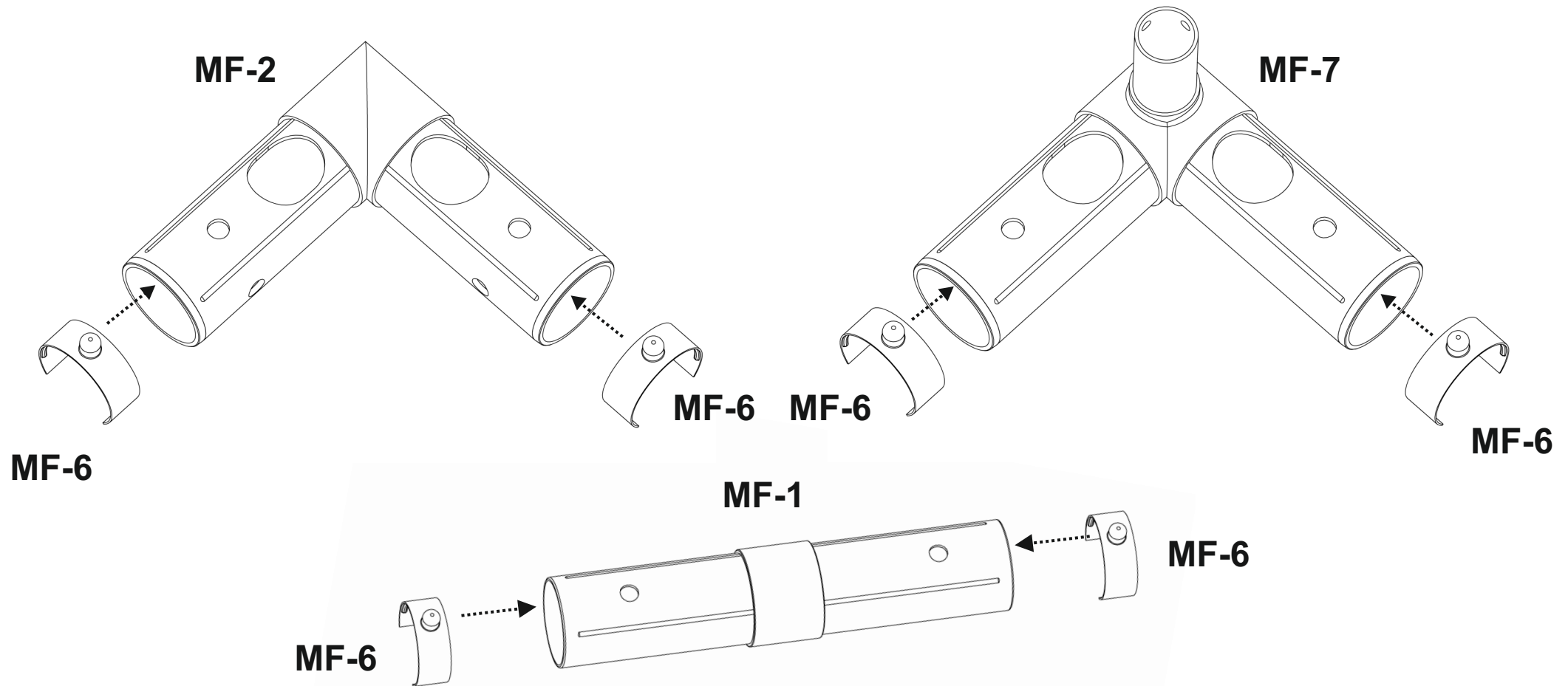
EN

1. Must be assembled by an adult.
2. To be used on a flat surface.
3. Check the frame is fully assembled and secured to the net before use.
4. Check the frame is secured to the ground before use.
5. Do not climb or hang on the structure. Regularly check for wear and tear.
6. Stop using if any part of it breaks, failure to do this may result in injury.
7. Keep away from heat sources.
8. This product is not suitable for children under 3 years of age.
9. Not suitable for use in high winds.

# STEP B

## ADD PARTS

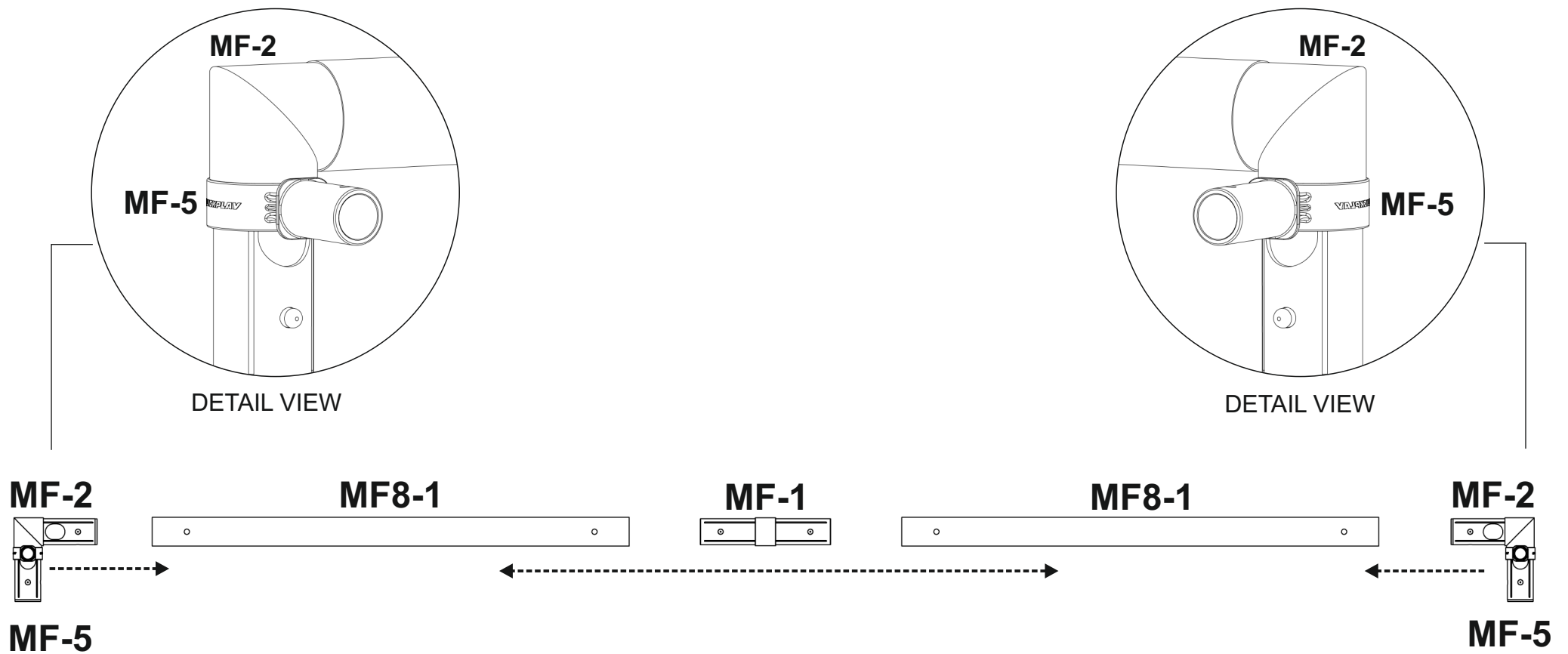
Insert all **MF-6** parts into connectors **MF-1**, **MF-2** & **MF-7**



# STEP C

## CROSSBAR

Assemble the **CROSSBAR** , Attaching tubes **MF8-1** to **MF-1**,**MF-2** & **MF-5** connectors.



# STEP D

## POSTS TO CROSSBAR

Attach tubes MF8-2, MF8-3 to the MF-2 connectors

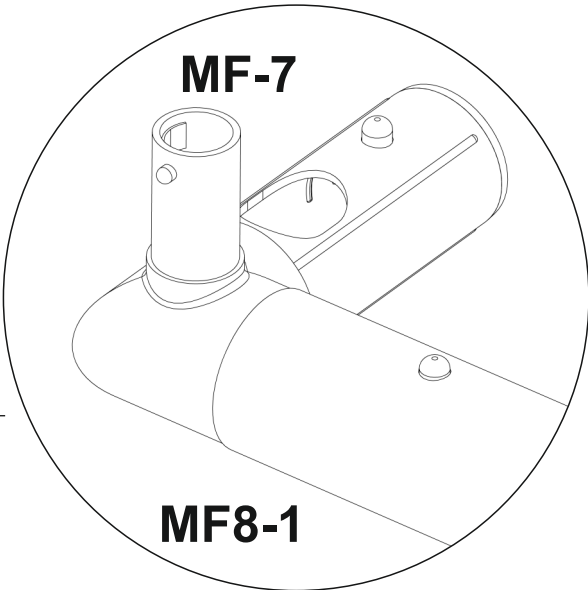


# STEP E

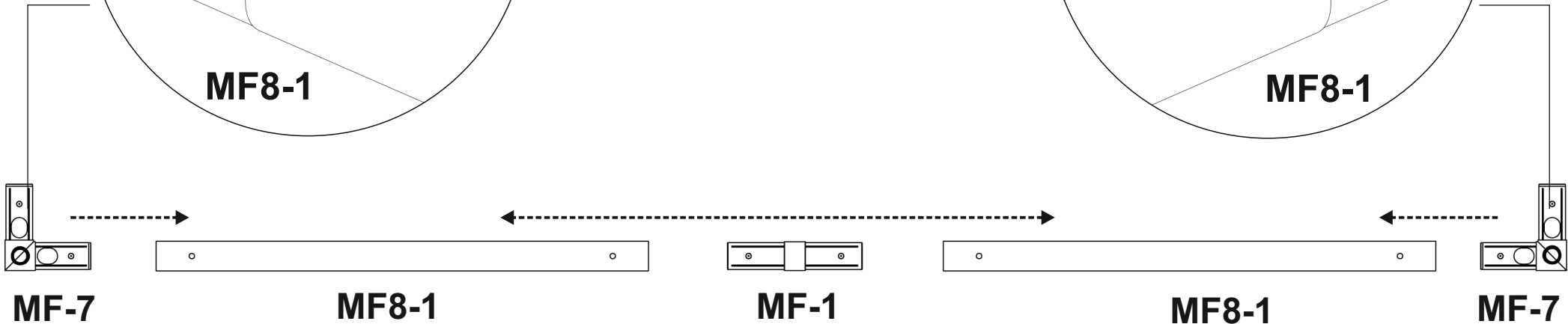
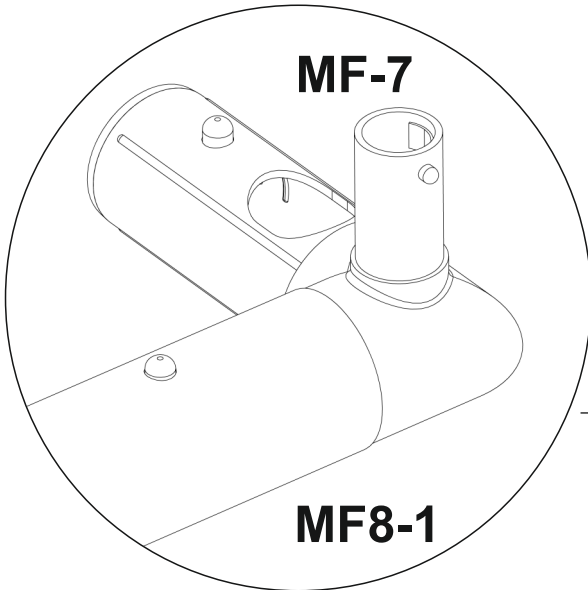
# BACK BASEBAR

Assemble the **BACK BASEBAR** , Attaching tubes **MF8-1** to **MF-1** & **MF-7** connectors

DETAIL VIEW



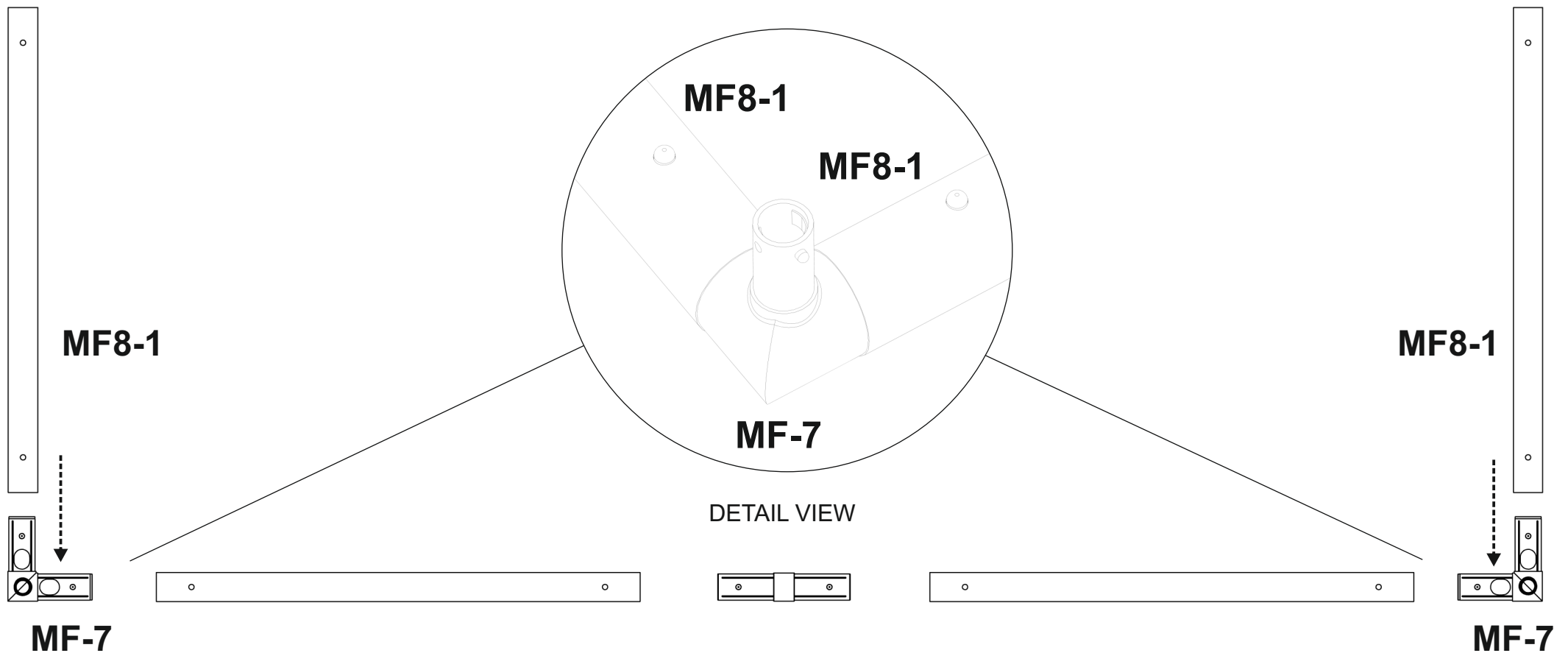
DETAIL VIEW



# STEP F

## BASE POSTS TO BASEBAR

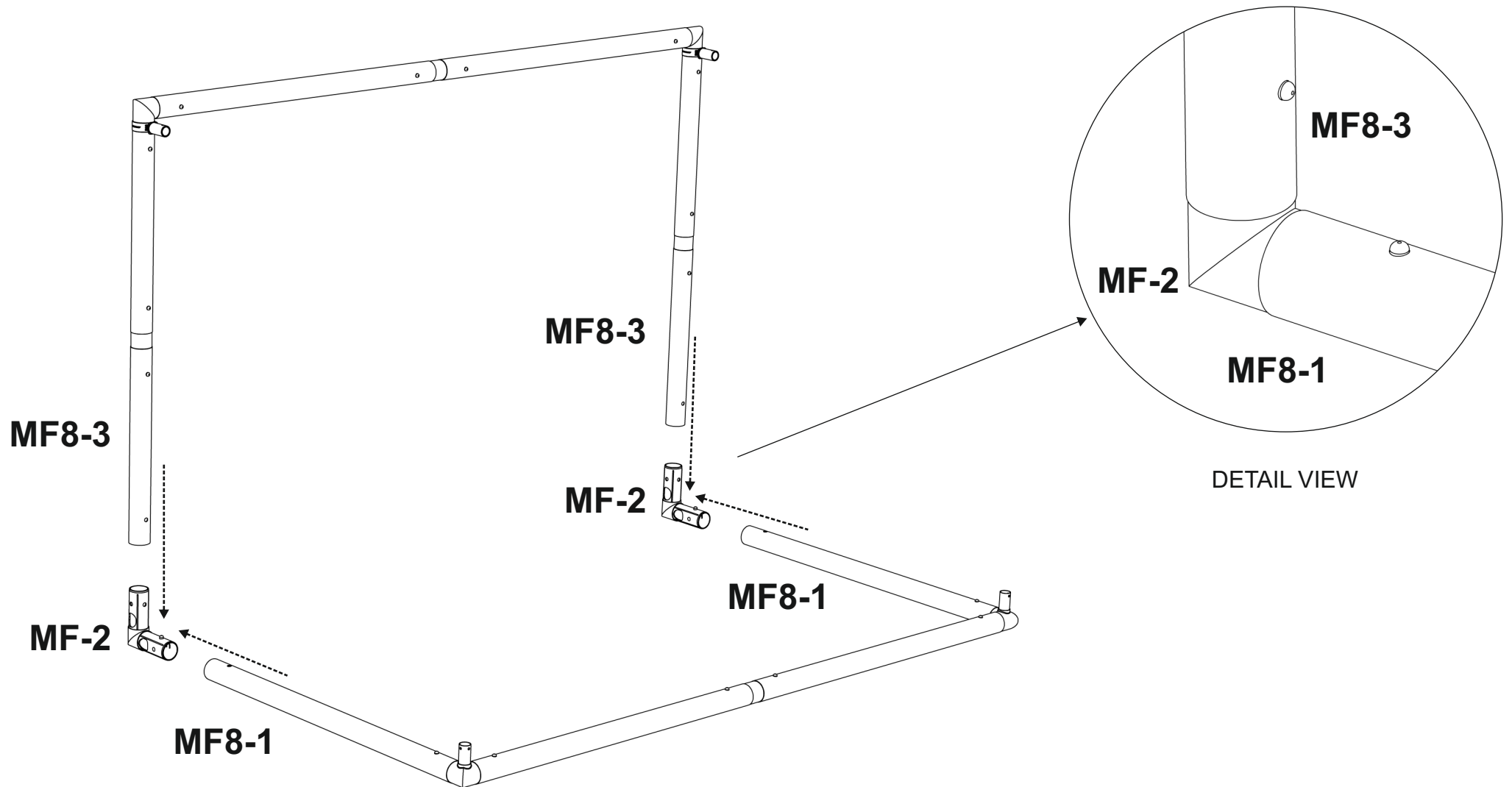
Connect tubes **MF8-1** to the **MF-7** connectors.



# STEP G

## CROSSBAR TO BASE FRAME

Attach the **CROSSBAR & POSTS** to the **BASE FRAME** using the **MF-2** connectors.

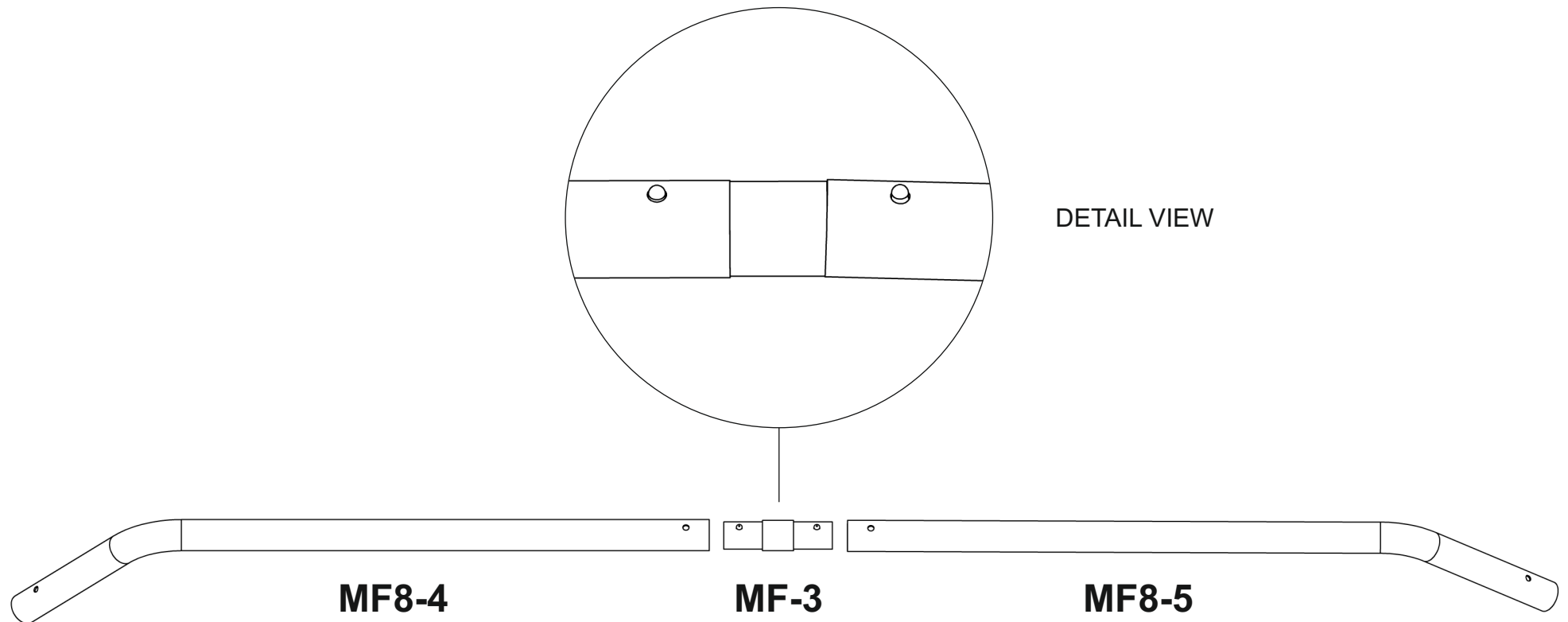




# STEP H

## CONNECTING DIAGONAL BRACE

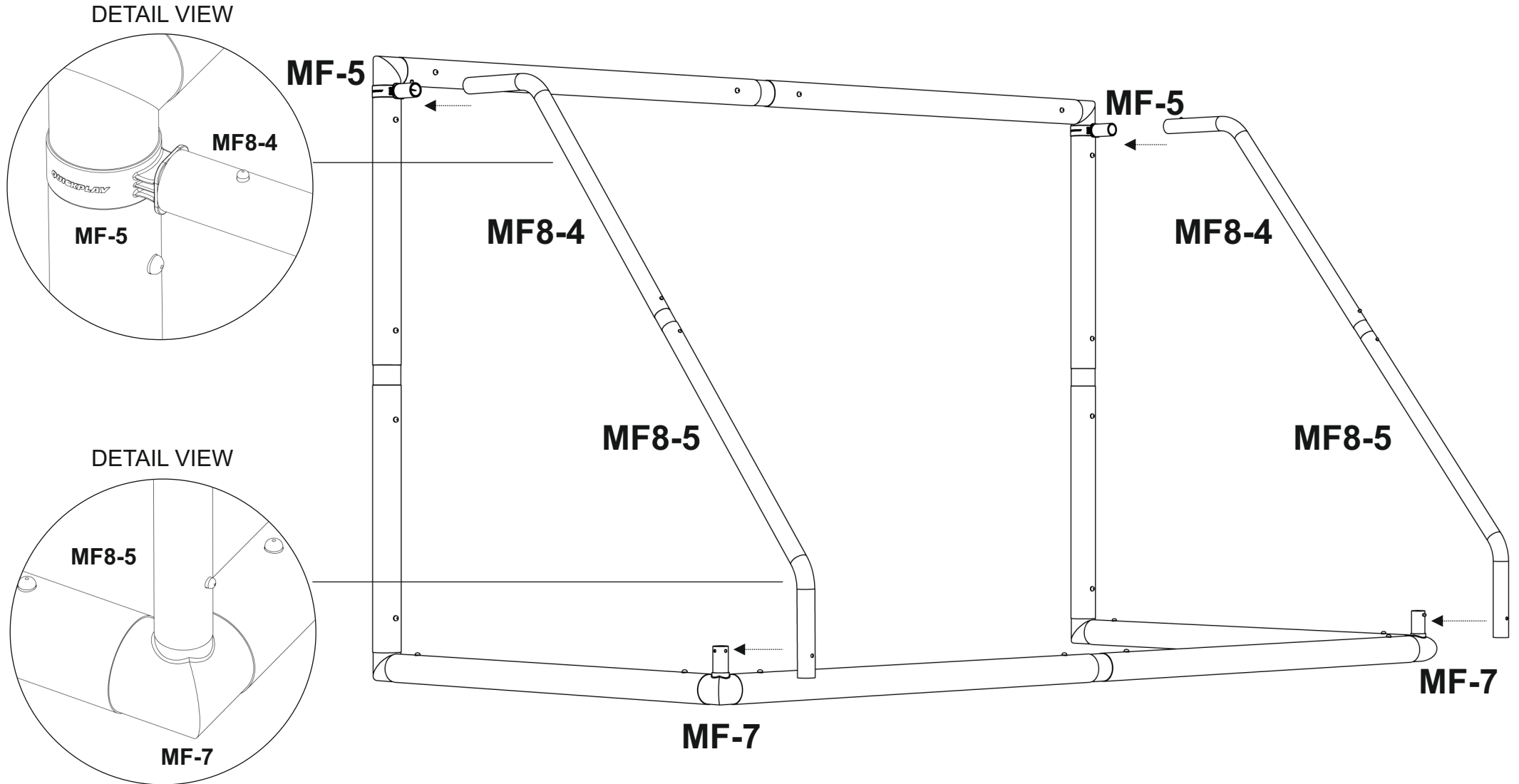
Attach tubes MF8-4 & MF8-5 to the parts MF-3



# STEP ①

# BRACE TO GOAL FRAME

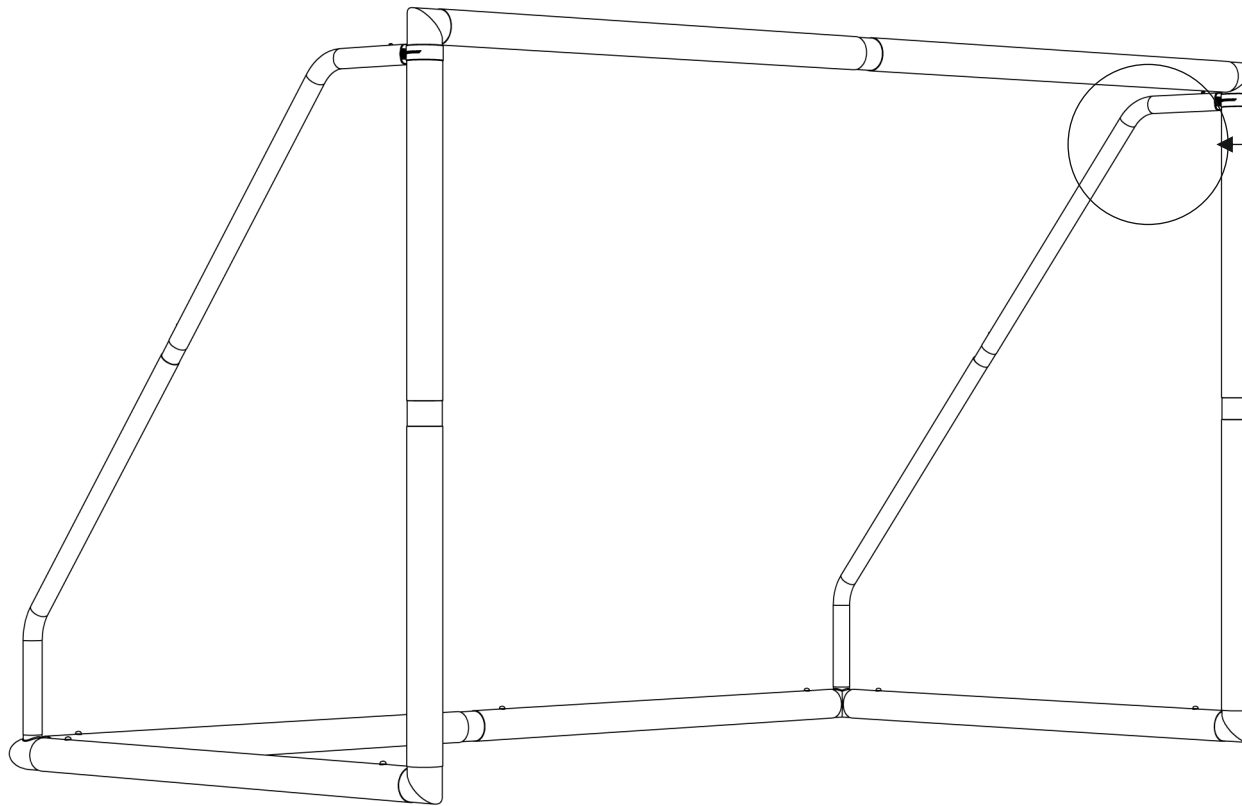
Connect tubes MF8-4 & MF8-5 to parts MF-5 & MF-7



## STEP J

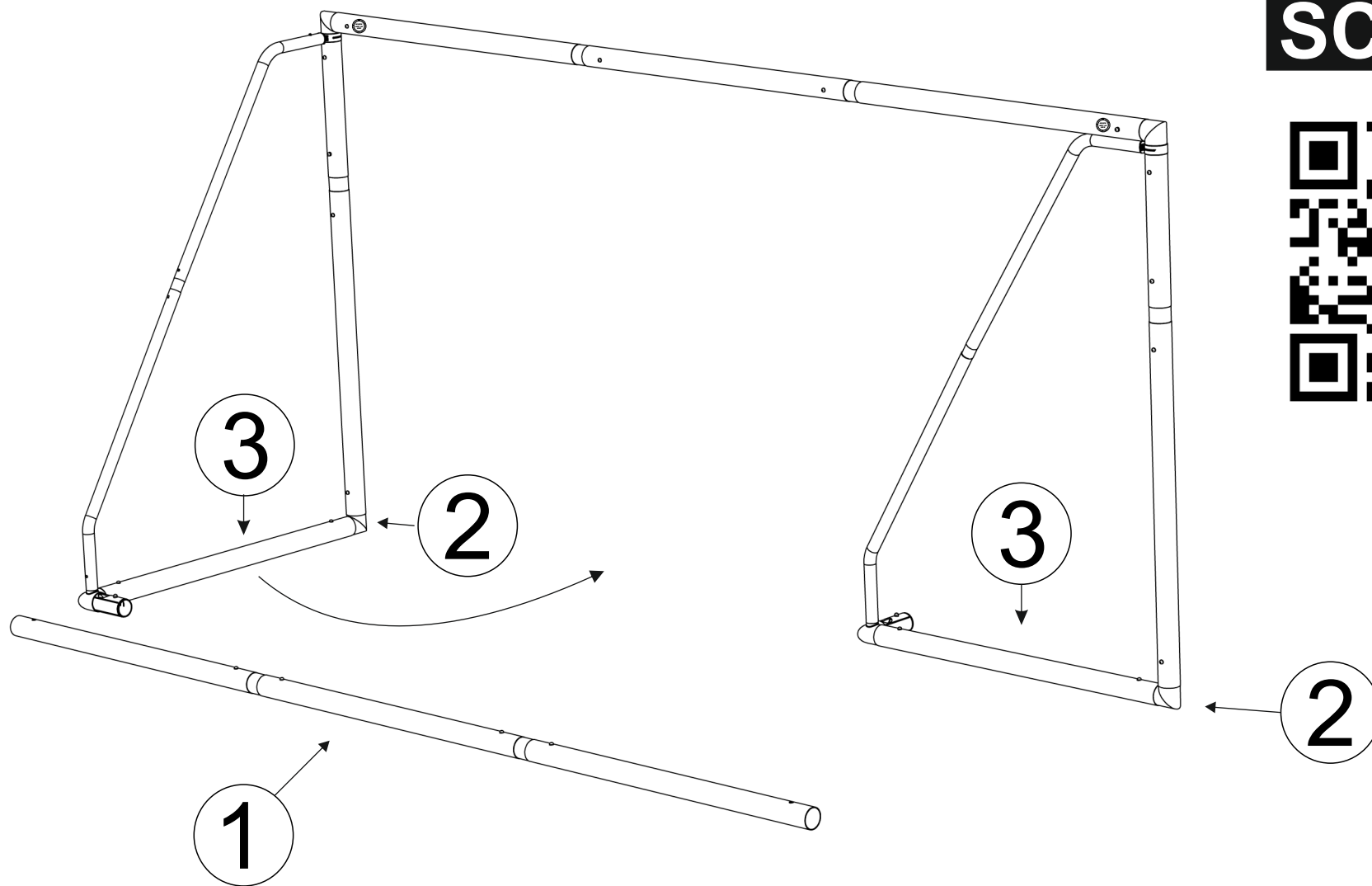
# ATTACHING NET

Wrap net around frame using the label in the **TOP LEFT CORNER** as a starting point. Use the **M4** net clips to further secure the net as shown.



# FOLDING INSTRUCTIONS

1. Remove back base section labelled ①
2. Click push buttons labelled ②
3. As you click the buttons move the base tubes labelled ③ towards the goal



TO SEE FOLDING VIDEO

**SCAN ME**



