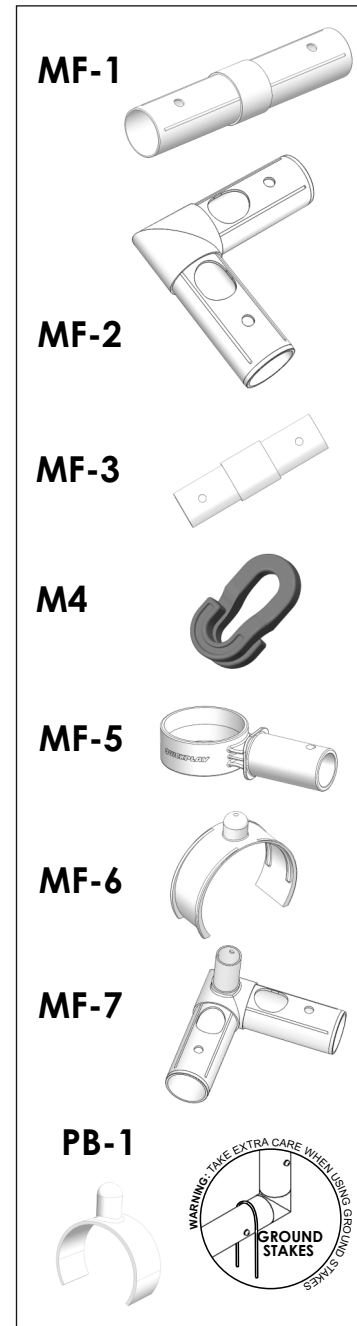
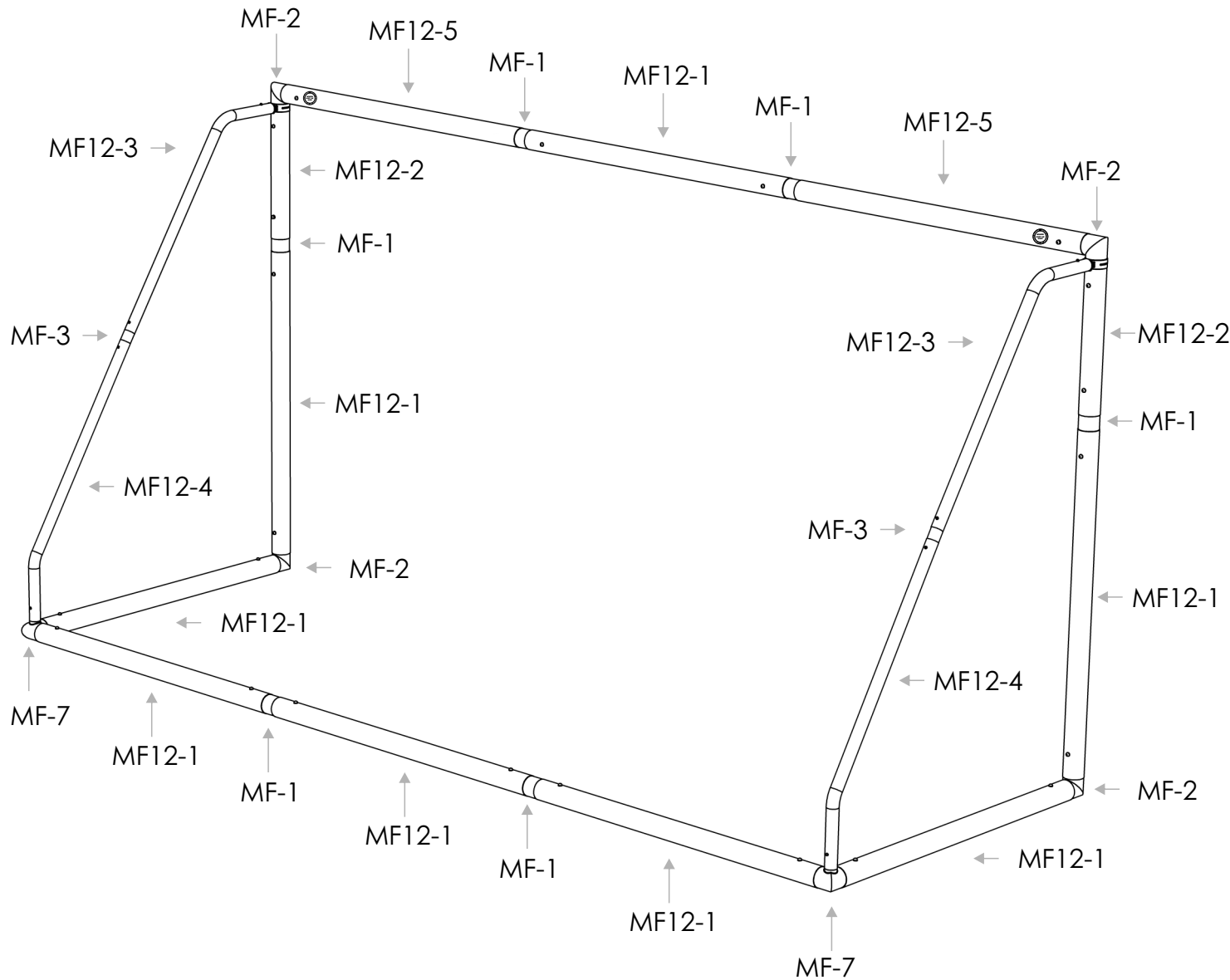


Q-FOLD MATCH 12x6FT

MATCH STANDARD SOCCER GOAL, ALL WEATHER UPVC



Item No.	Quantity
UPVC TUBES	
MF12-1	8
MF12-2	2
MF12-3	2
MF12-4	2
MF12-5	2
CONNECTORS	
MF-1	6
MF-2	4
MF-3	2
MF-4	32
MF-5	2
MF-6	24
MF-7	2
PB-1	8
NET	1
Ground stakes	4

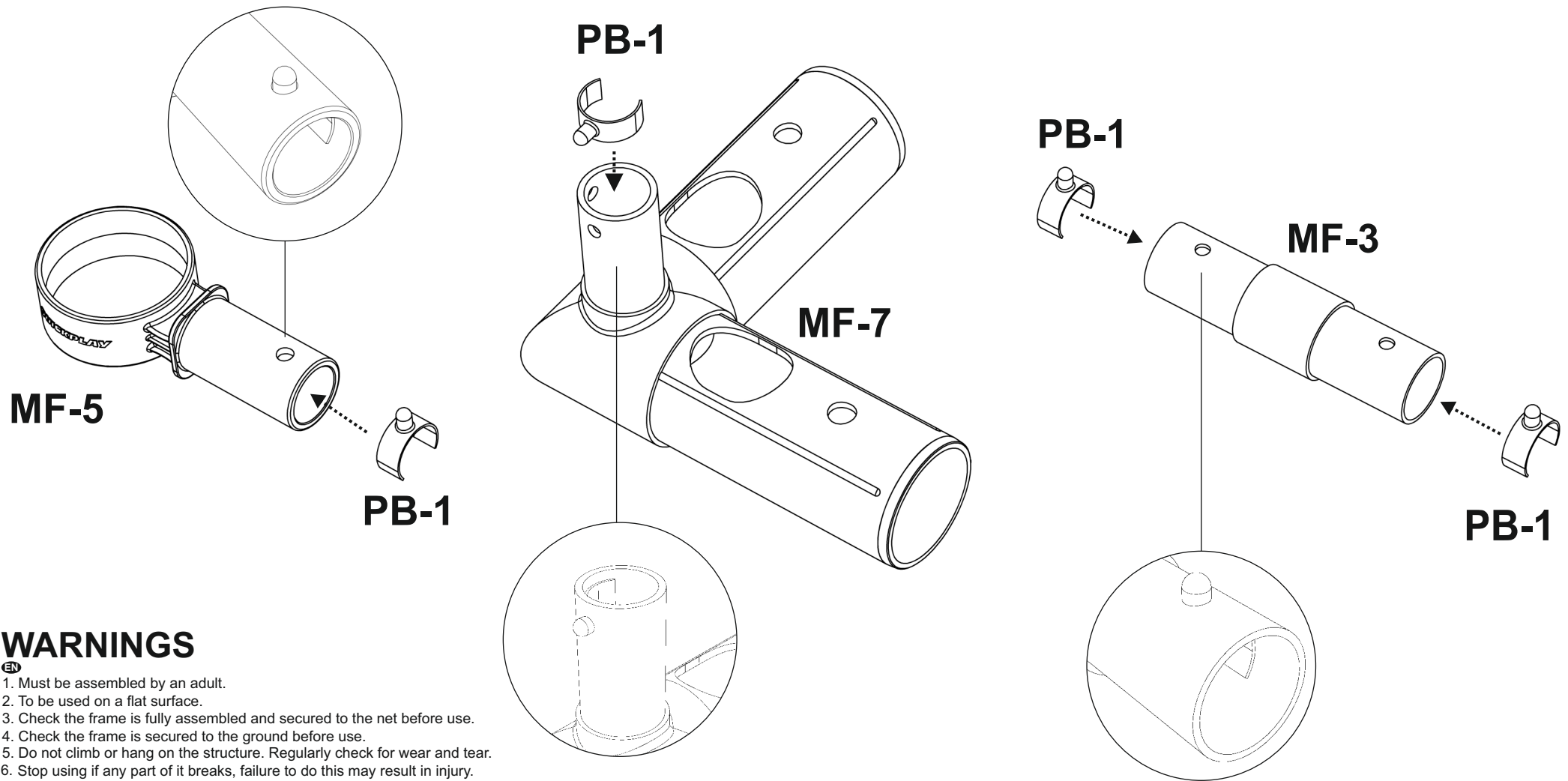
QUICKPLAY™

PLEASE REGISTER WARRANTY @ WWW.QUICKPLAYSPORT.COM

STEP A

ADD SPRING CLIPS

Insert part **PB-1** into connectors **MF-5**, **MF-3** & **MF-7**



WARNINGS

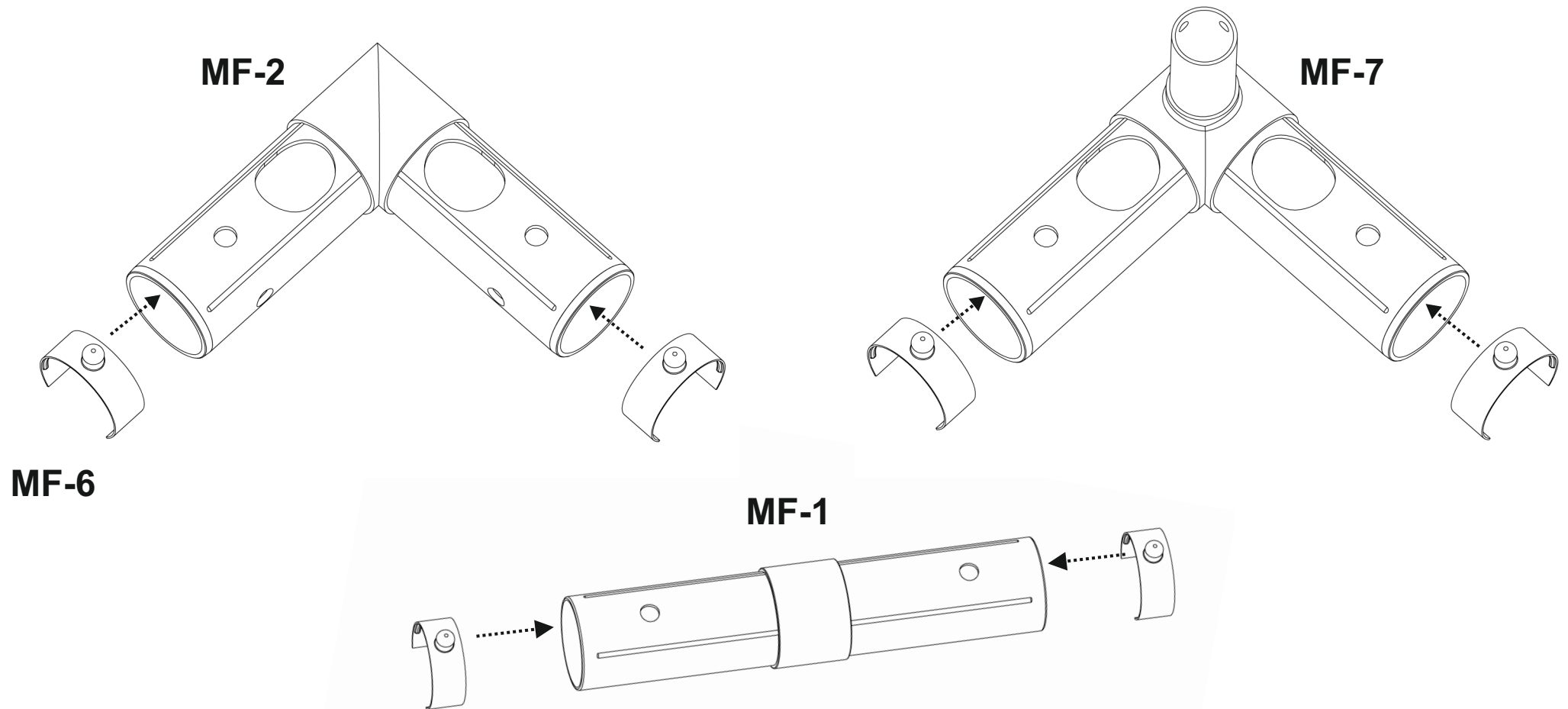
EN

1. Must be assembled by an adult.
2. To be used on a flat surface.
3. Check the frame is fully assembled and secured to the net before use.
4. Check the frame is secured to the ground before use.
5. Do not climb or hang on the structure. Regularly check for wear and tear.
6. Stop using if any part of it breaks, failure to do this may result in injury.
7. Keep away from heat sources.
8. This product is not suitable for children under 3 years of age.
9. Not suitable for use in high winds.

STEP B

ADD PLASTIC PUSH BUTTONS

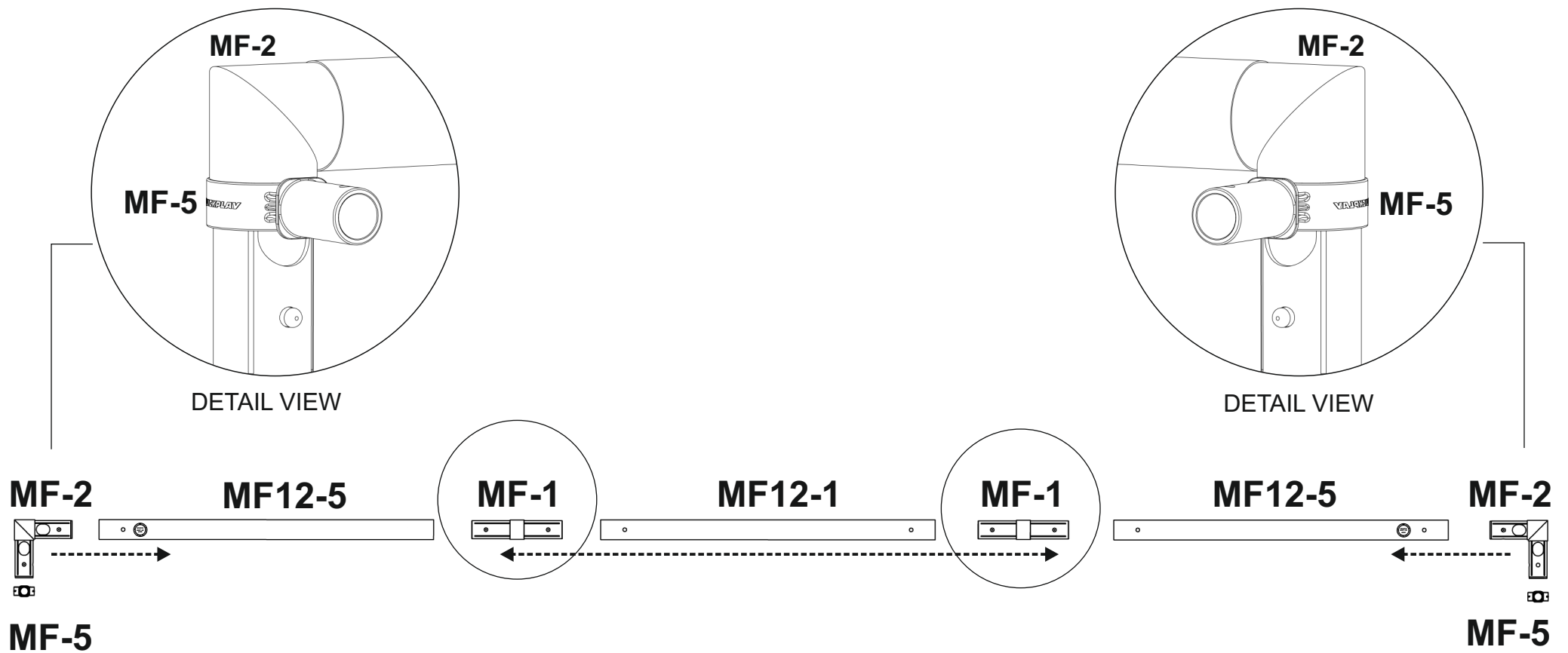
Insert all MF-6 parts into connectors MF-1, MF-2 & MF-7



STEP C

CROSSBAR

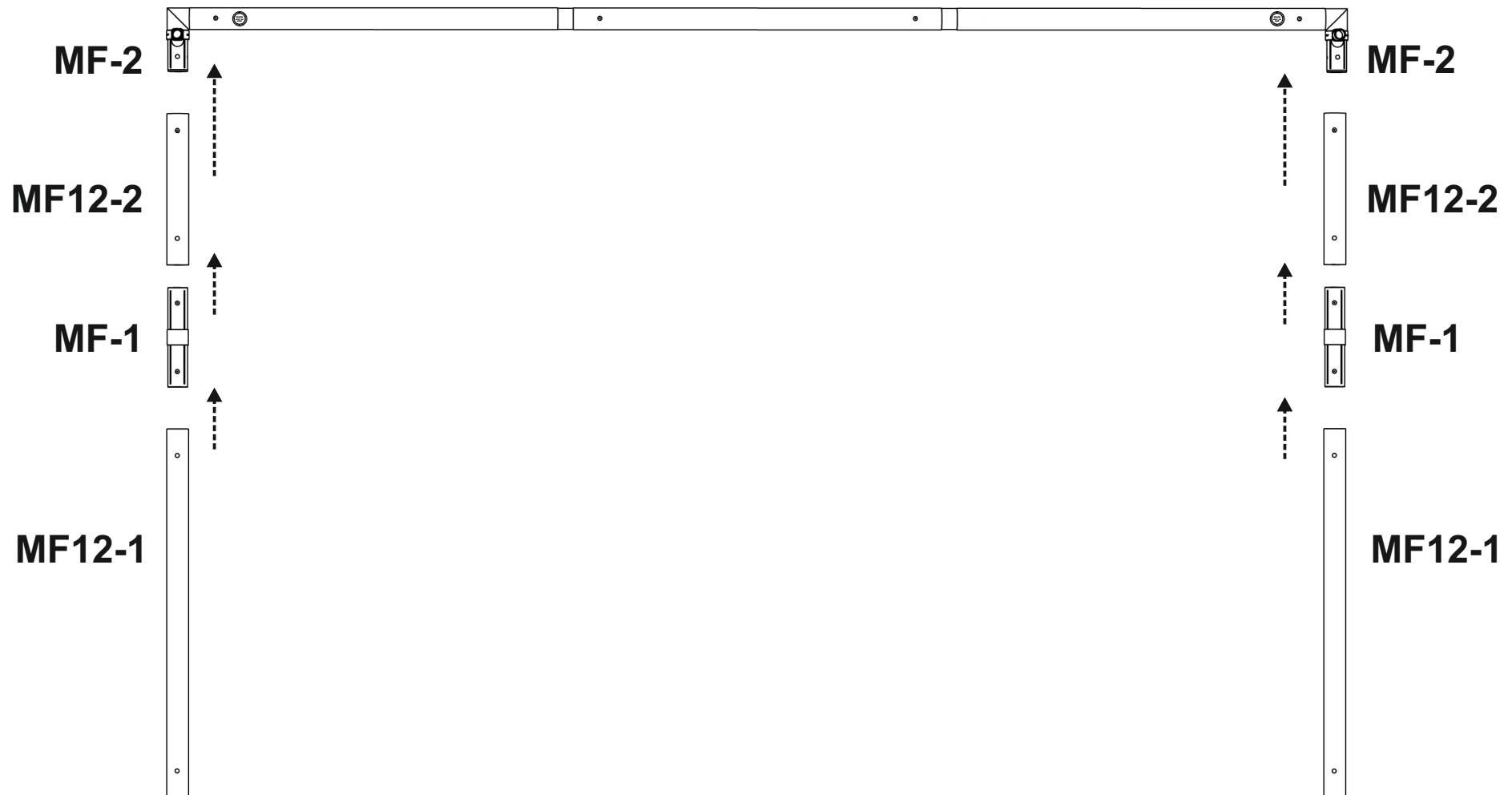
Assemble the **CROSSBAR** , Attaching tubes **MF12-1** to **MF-1**,**MF-2** & **MF-5** connectors.



STEP D

POSTS TO CROSSBAR

Attach tubes MF12-2, MF12-1 to the MF-2 connectors

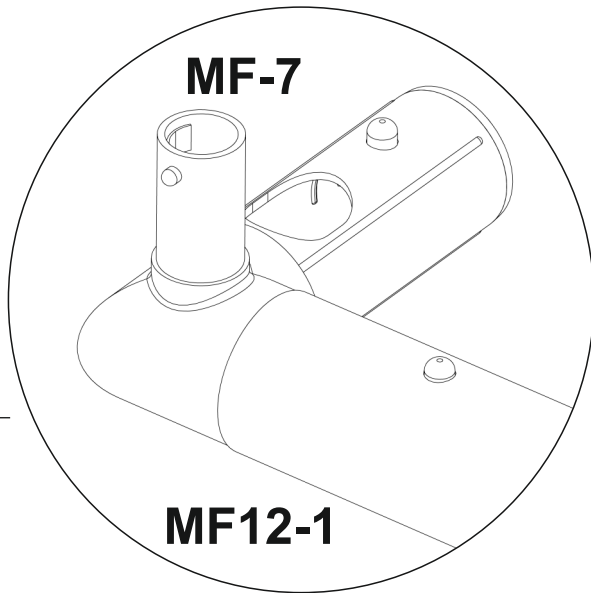


STEP E

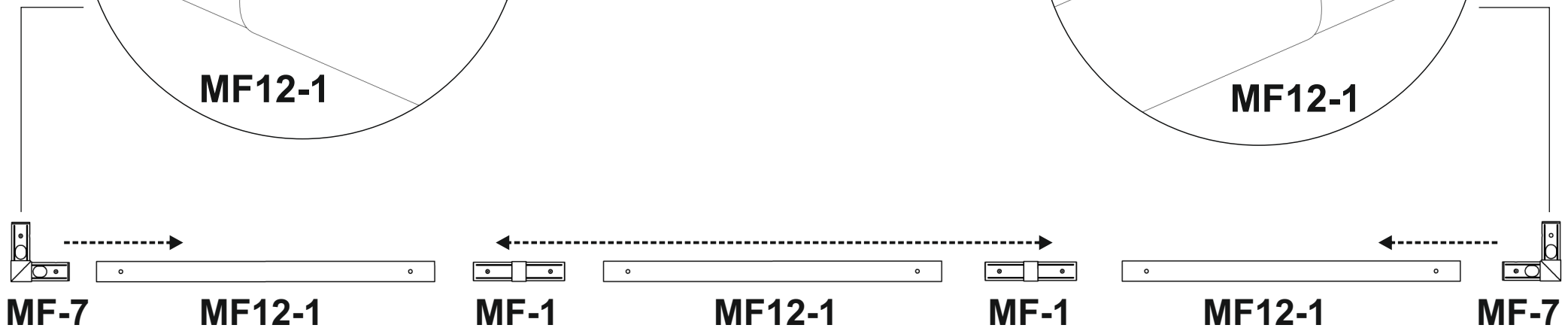
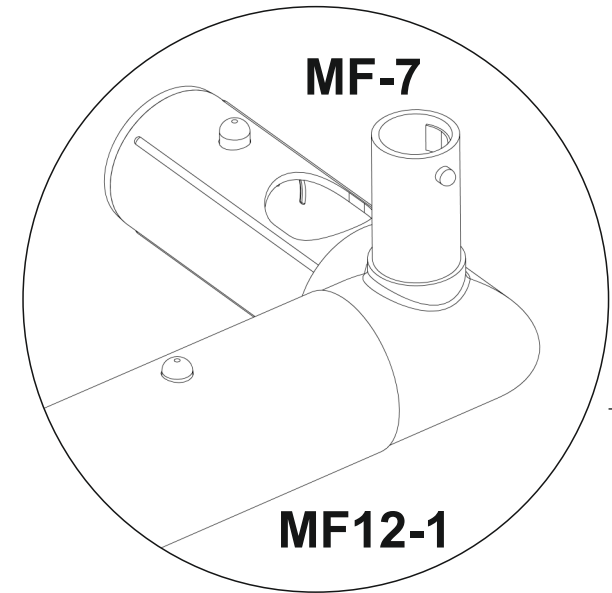
BACK BASEBAR

Assemble the **BACK BASEBAR** , Attaching tubes **MF12-1** to **MF-1** & **MF-7** connectors

DETAIL VIEW



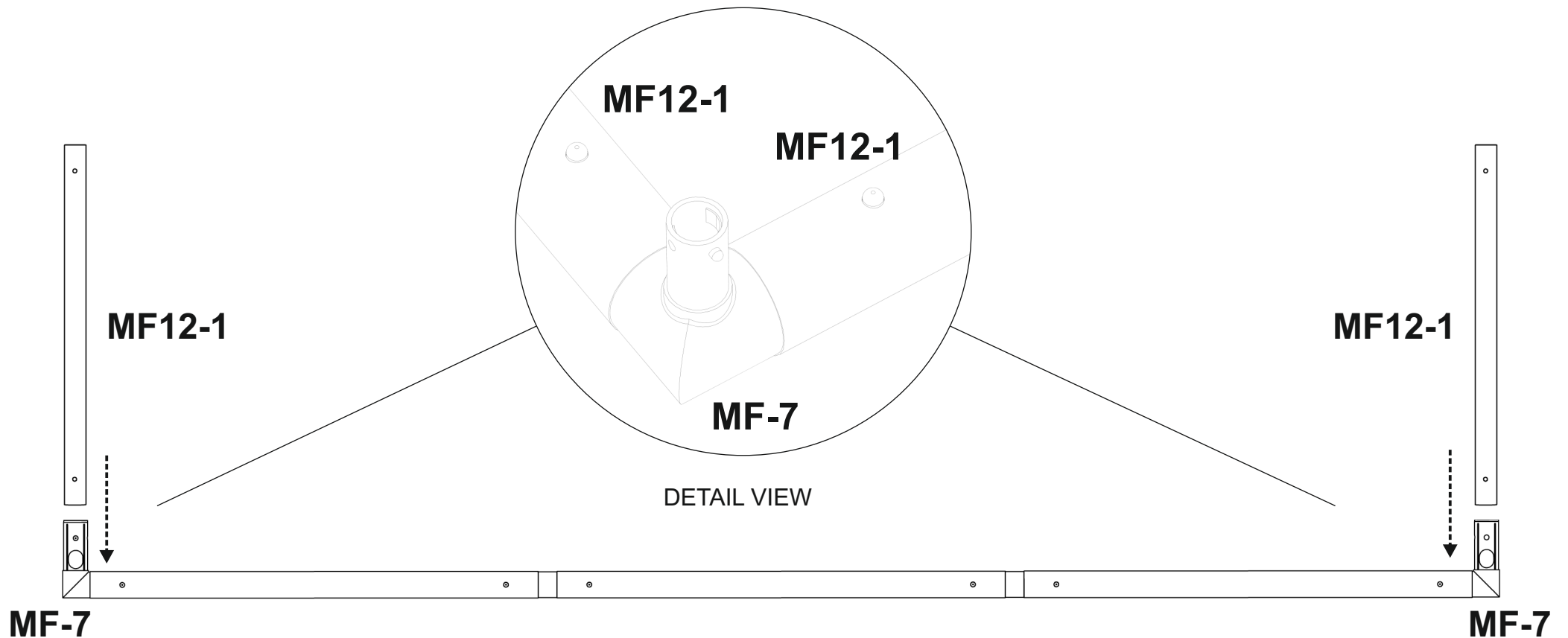
DETAIL VIEW



STEP **F**

BASE POSTS TO BASEBAR

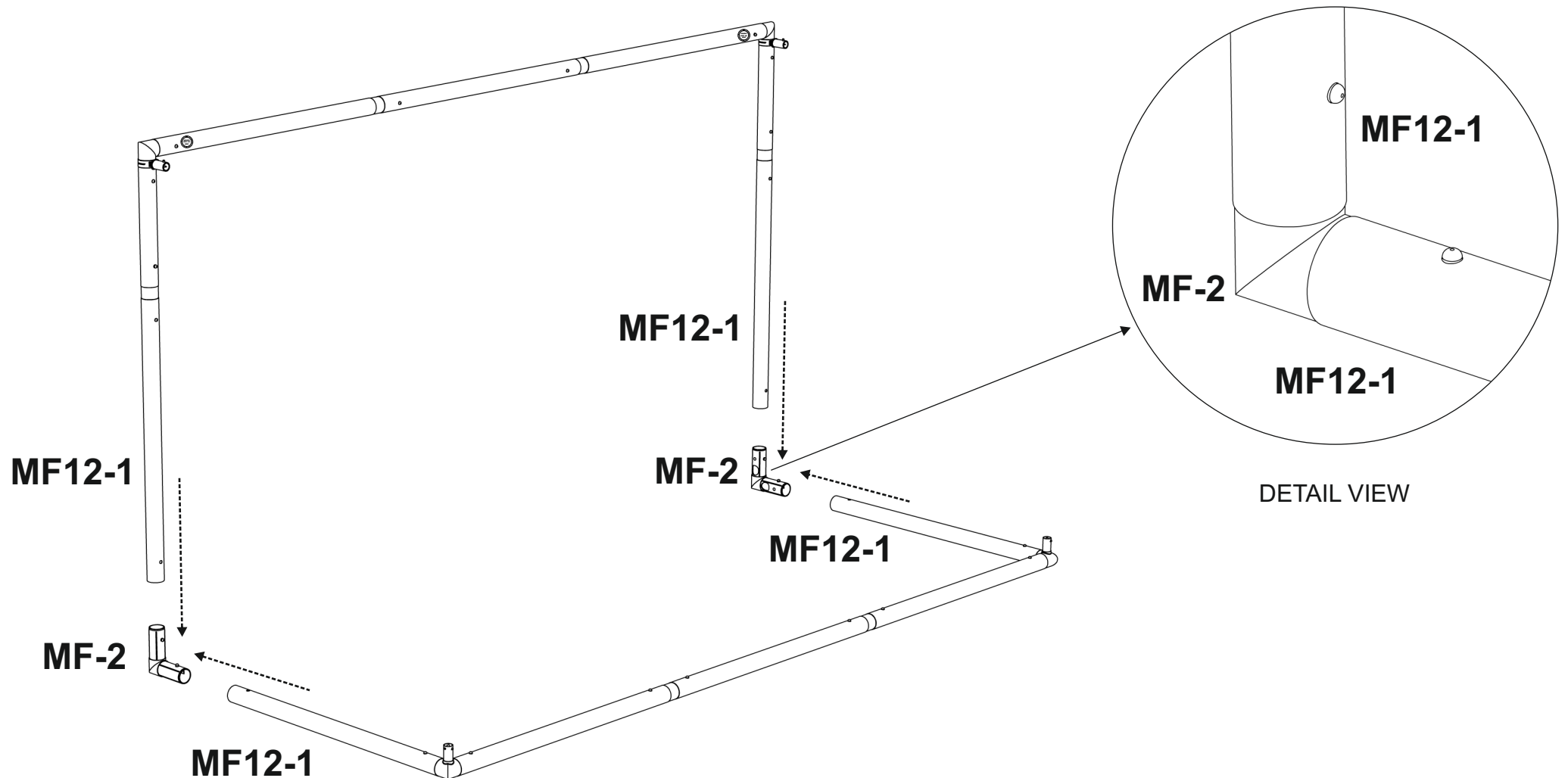
Connect tubes **MF12-1** to the **MF-7** connectors.



STEP G

CROSSBAR TO BASE FRAME

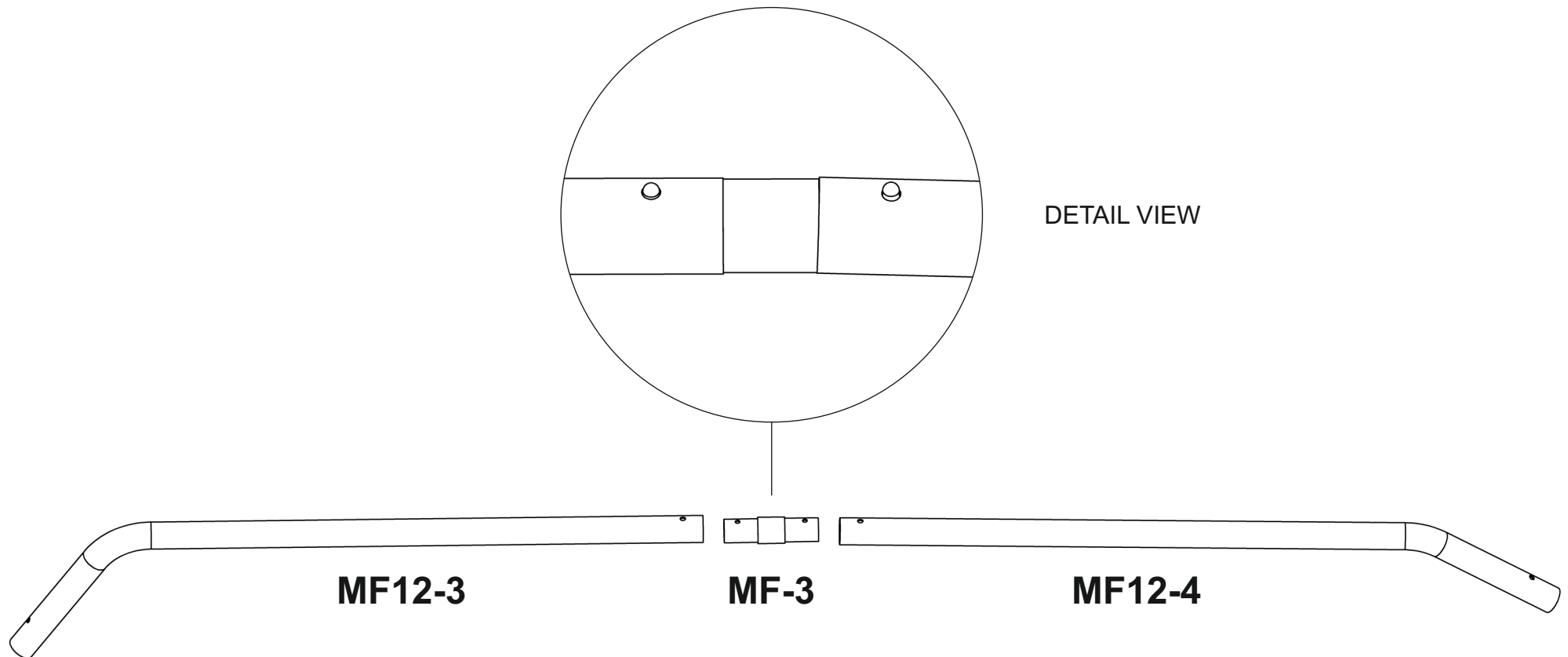
Attach the **CROSSBAR & POSTS** to the **BASE FRAME** using the **MF-2** connectors.



STEP **H**

CONNECTING DIAGONAL BRACE

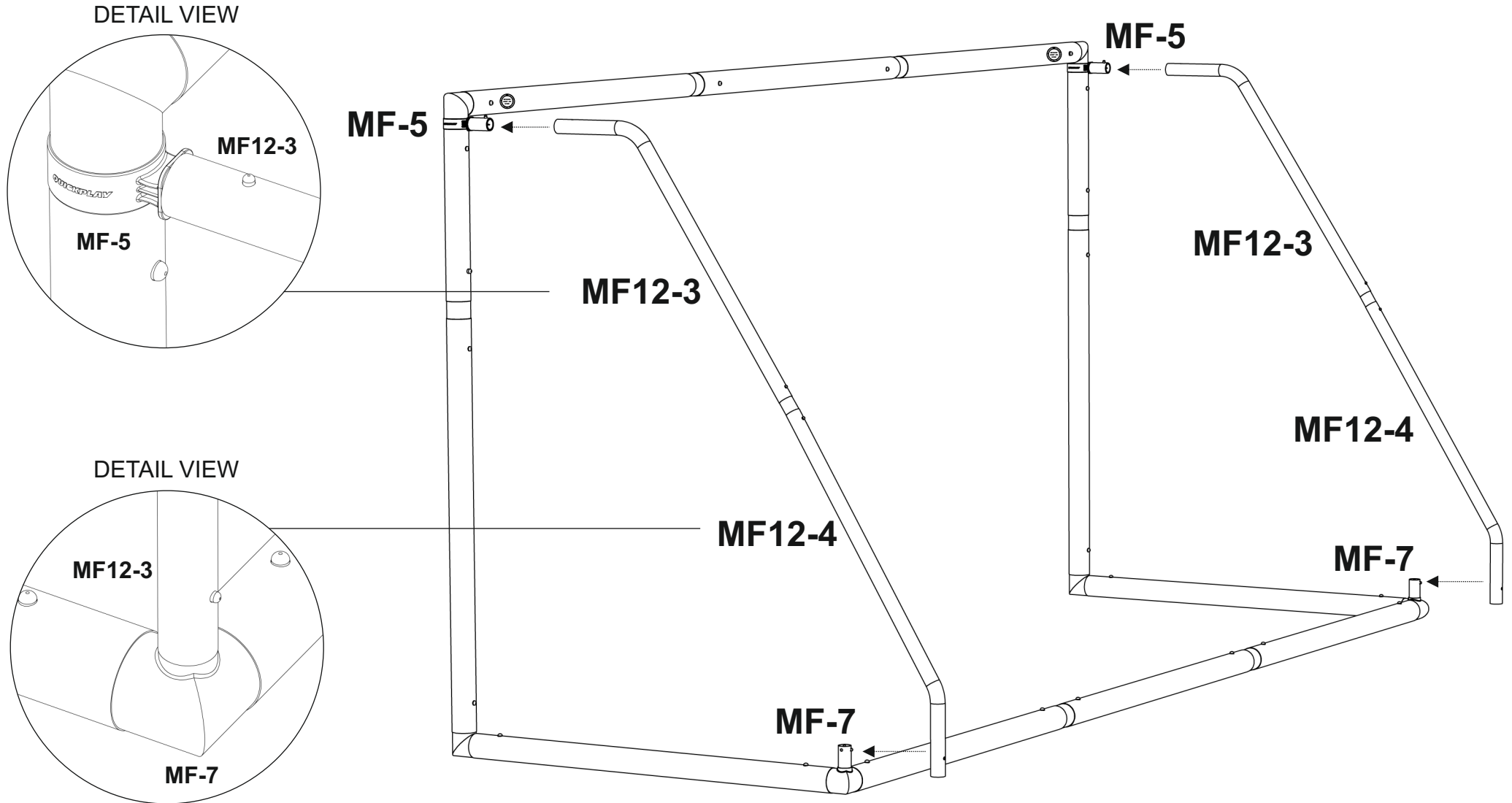
Attach tubes **MF12-3** & **MF12-4** to the parts **MF-3**



STEP ①

BRACE TO GOAL FRAME

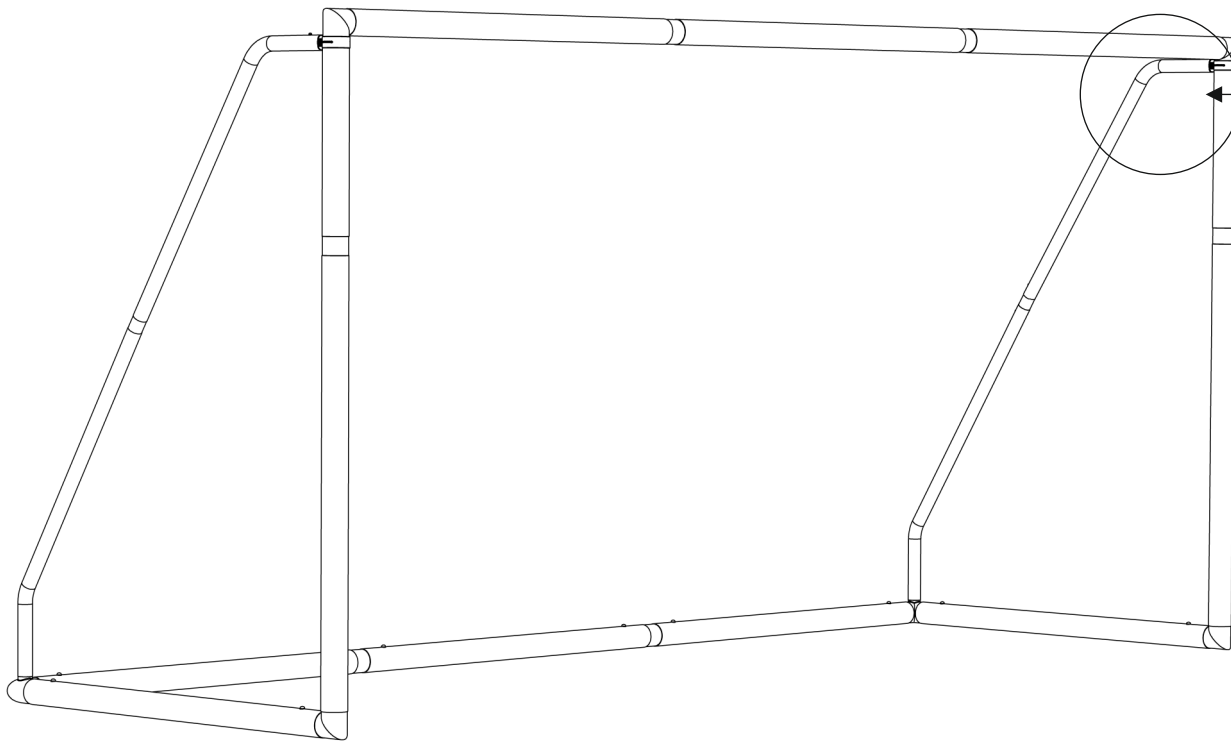
Connect tubes MF12-3 & MF12-4 to parts MF-5 & MF-7



STEP J

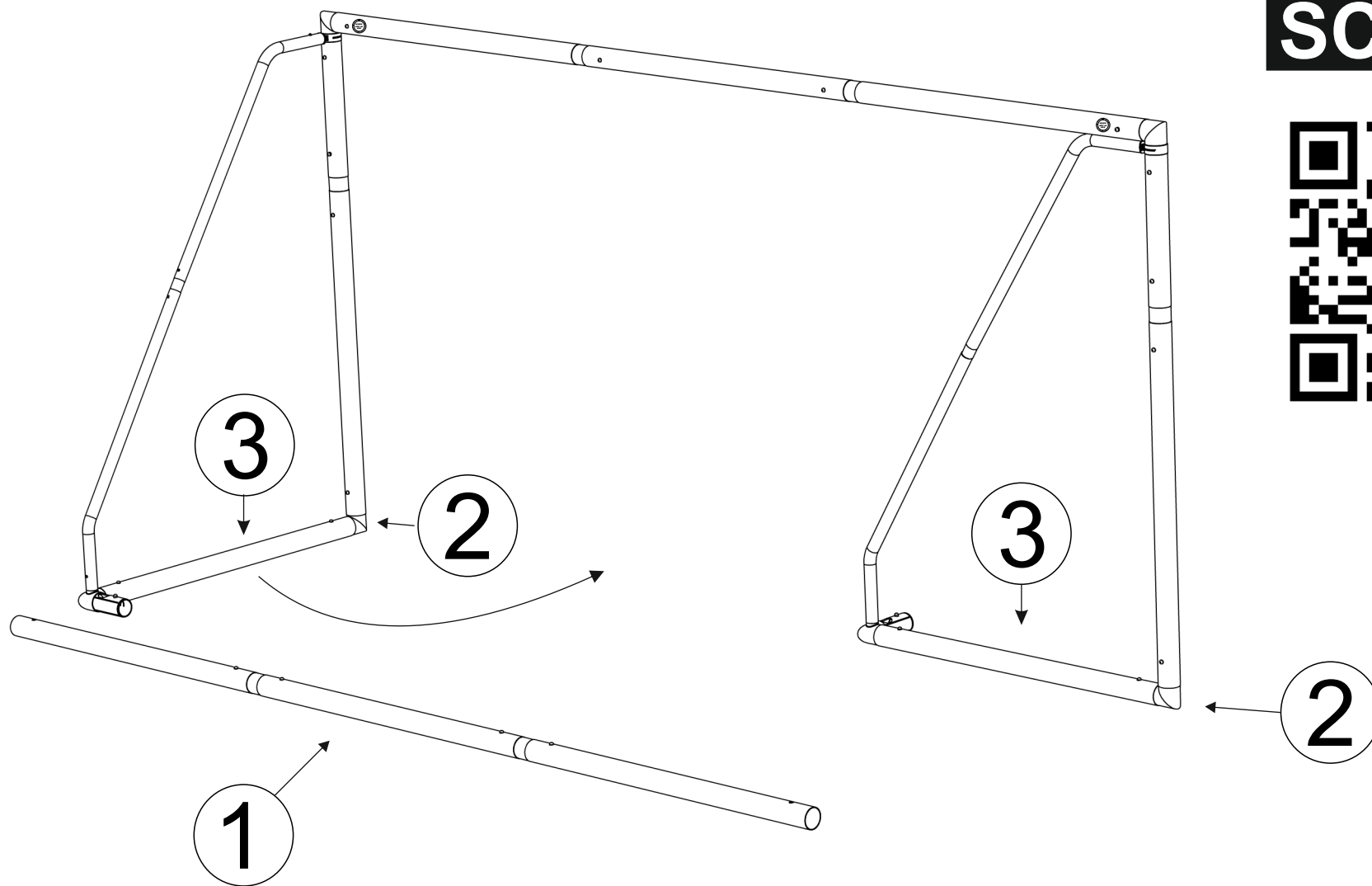
ATTACHING NET

Wrap net around frame using the label in the **TOP LEFT CORNER** as a starting point. Use the **M4** net clips to further secure the net as shown.



FOLDING INSTRUCTIONS

1. Remove back base section labelled ①
2. Click push buttons labelled ②
3. As you click the buttons move the base tubes labelled ③ towards the goal



TO SEE FOLDING VIDEO

SCAN ME



HELP KEEP THE CROSSBAR STRAIGHT

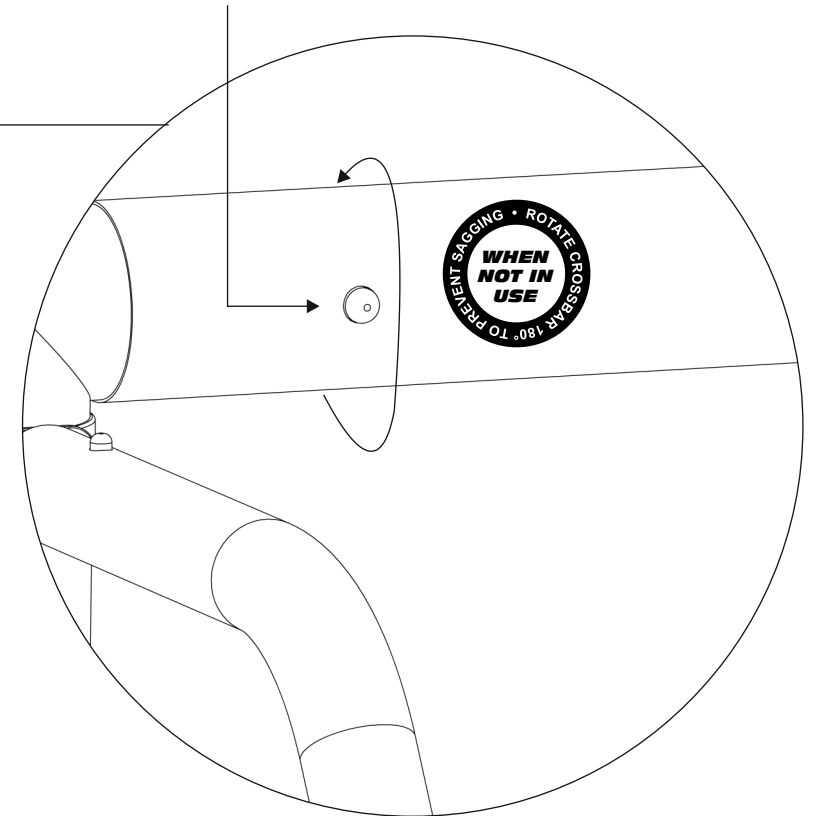
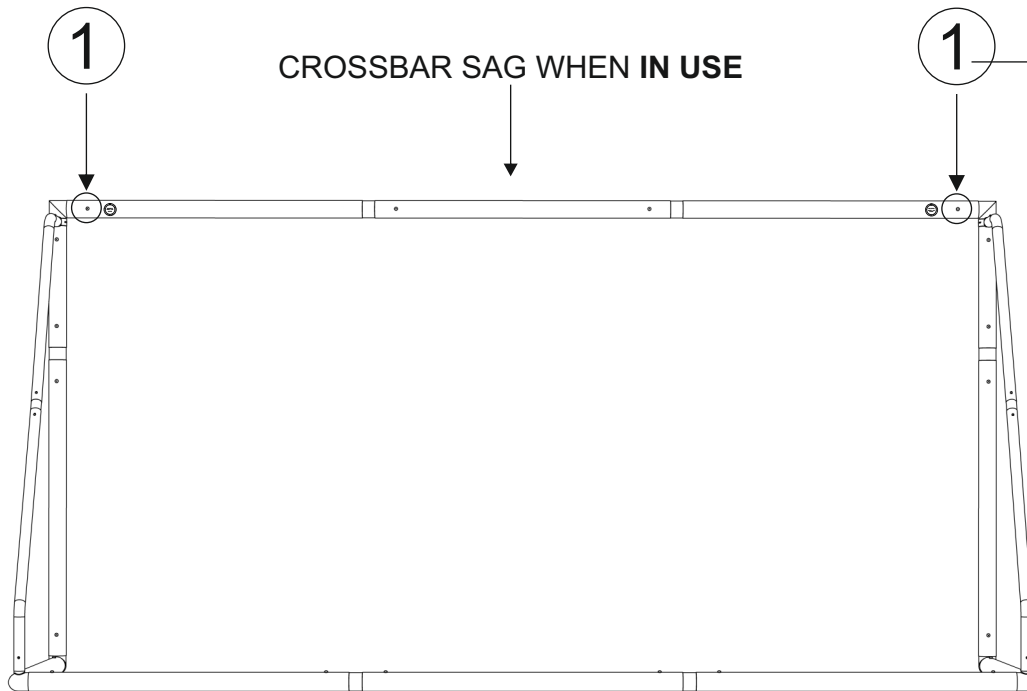
After the game simply rotate the cross bar so it sags down.

To do this Push the buttons in the corners of the crossbar labelled 1 and rotate 180 degrees.

This will keep the crossbar straight when in use

WHEN NOT IN USE

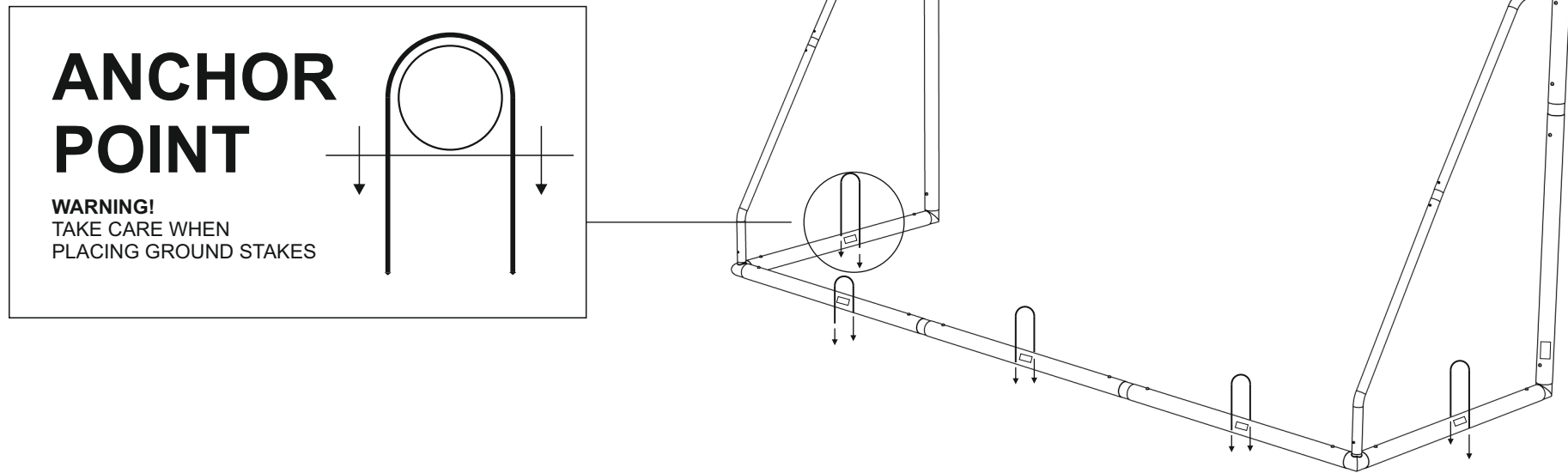
PUSH BUTTON AND ROTATE CROSSBAR 180 DEGREES



DETAIL VIEW

ANCHORING

TO ANCHOR YOUR GOAL CORRECTLY FOLLOW THE GUIDE BELOW. PLACE GROUND STAKES IN THE AREAS LABELLED ANCHOR POINT WHEN IN USE AND NOT IN USE



INSPECTION AND MAINTENANCE

CONDUCT A VISUAL INSPECTION OF ALL COMPONENTS TO ENSURE NONE ARE DAMAGED OR FAULTY BEFORE USING THE GOAL. MAKE SURE ALL CLIPS ARE CORRECTLY LOCATED. THE GOAL SHOULD NOT REQUIRE ANY MAINTENANCE, HOWEVER, IF THERE IS ANY DAMAGE DO NOT USE THE GOAL UNTIL THE DAMAGED COMPONENTS HAVE BEEN REPLACED, TO DO THIS PLEASE CONTACT OUR CUSTOMER SERVICE TEAM.

