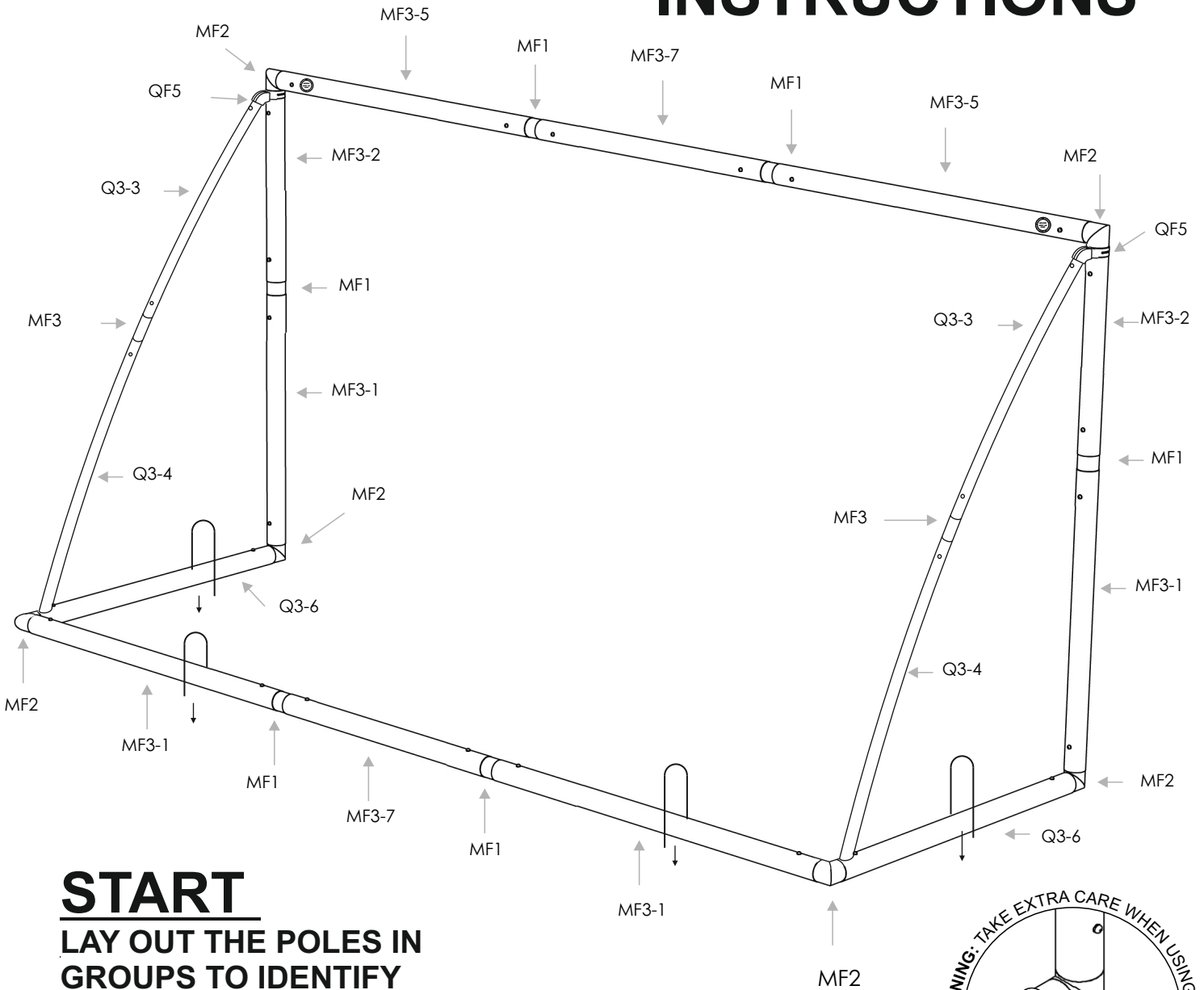


Q-FOLD 3x2m INSTRUCTIONS

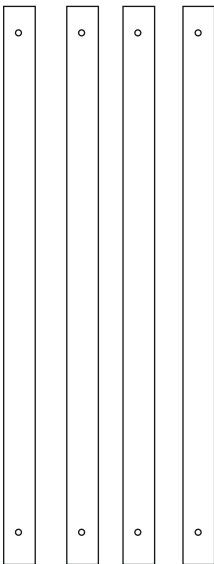


START

LAY OUT THE POLES IN GROUPS TO IDENTIFY THE POLE NUMBERS



MF3-1



MF3-5



Q3-6



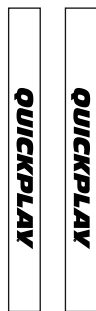
Q3-3



Q3-4



MF3-2

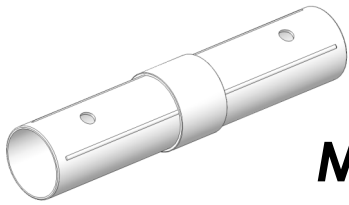


MF3-7

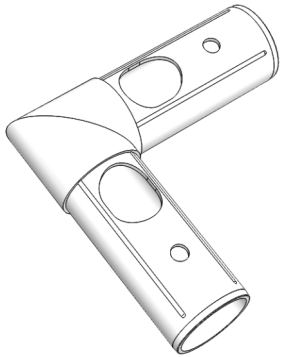


QUICKPLAY

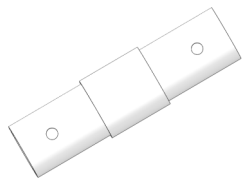
Q-FOLD 3x2M INSTRUCTIONS



MF1 X6



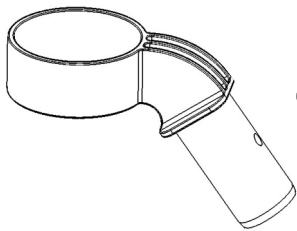
MF2 X6



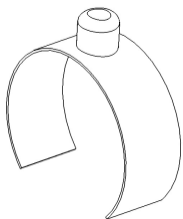
MF3 X2



MF4 X30



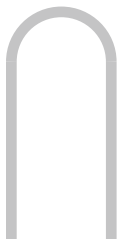
QF5 X2



MF6 X24

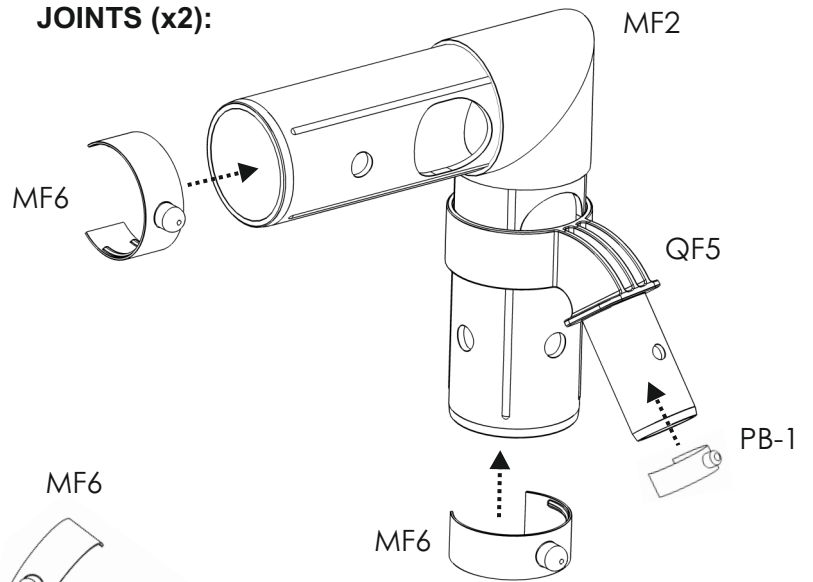


PB-1 X6

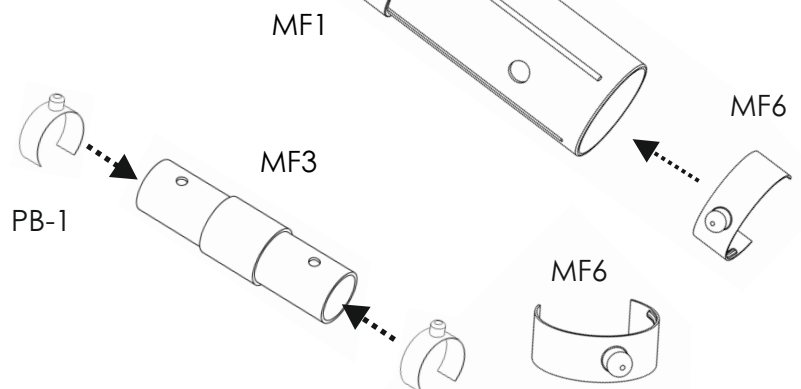


STAKE X4

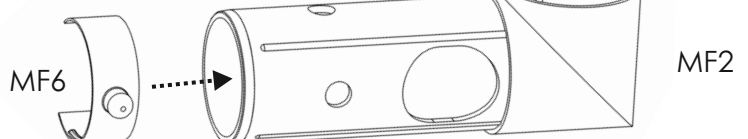
1. ASSEMBLE THE TOP CORNER JOINTS (x2):



2. ASSEMBLE THE LARGE & SMALL STRAIGHT CONNECTORS :



3. ASSEMBLE BOTTOM CORNER CONNECTORS (x4):



SET-UP

4. ASSEMBLE GOAL FACE DOWN ON THE GROUND, STARTING WITH THE GOAL POSTS & CROSSBAR

5. ADD BASE

7. BEND SIDE TUBE FORWARD AND LOCK ONTO Q5 JOINT

6. ADD SIDE TUBES

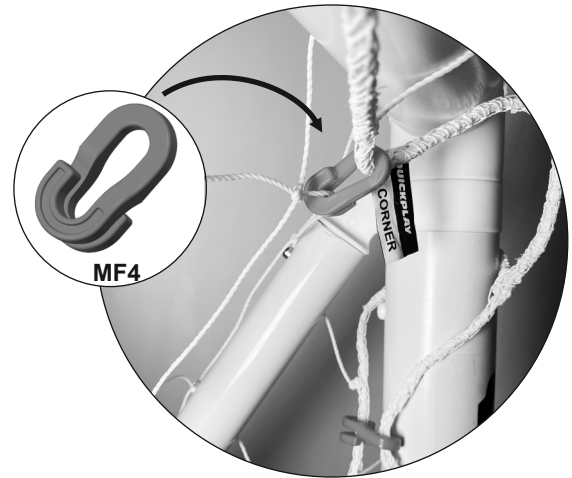
WARNINGS

EN

1. Must be assembled by an adult.
2. To be used on a flat surface.
3. Check the frame is fully assembled and secured to the net before use.
4. Check the frame is secured to the ground before use.
5. Do not climb or hang on the structure. Regularly check for wear and tear.
6. Stop using if any part of it breaks, failure to do this may result in injury.
7. Keep away from heat sources.
8. This product is not suitable for children under 3 years of age.
9. Not suitable for use in high winds.

ATTACH NET

FIND THE TOP CORNER TABS ON THE NET, LOOP IT OVER THE POSTS AND USE THE M4 CLIPS TO SECURE THE NET



8. ONCE ALL PARTS ARE CONNECTED, STAND THE GOAL FRAME UPRIGHT & ADD GROUNDS STAKES IF ON GRASS



WHEN NOT IN USE

HELP KEEP CROSSBAR STRAIGHT BY ROTATING CROSSBAR 180 DEGREES:

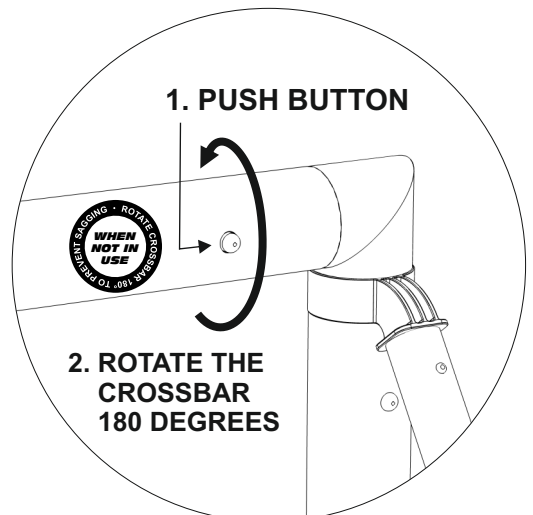
DO NOT HANG ON ME
(CROSSBAR MAY BEND OR BREAK)

FOLD AWAY

3. FOLD SIDE IN

1. REMOVE BACK BAR

2. PRESS THIS BUTTON



QUICKPLAY

