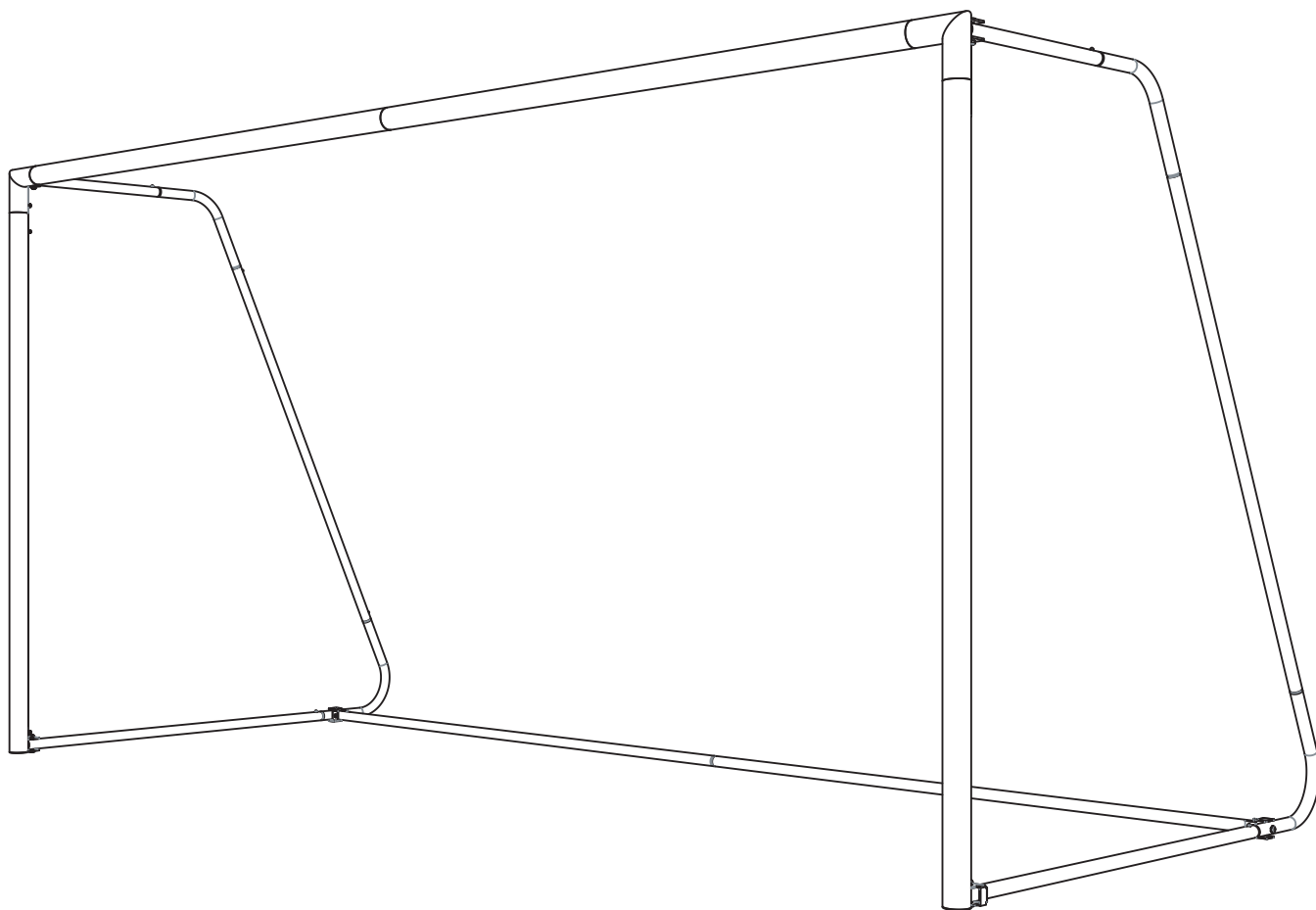


12x6FT

PRO ALU MATCH GOAL



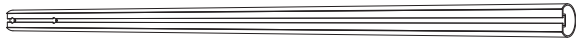
QUICKPLAY[®]

@quickplay_sport / @quickplay_soccer

www.quickplaysport.com / www.quickplaysport.us

Customer service: info@quickplaysport.com

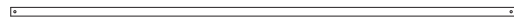
PARTS LIST



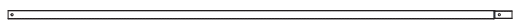
AL12-1
Crossbar (2x)



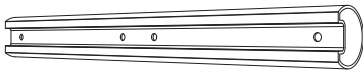
AL12-2
Upright (2x)



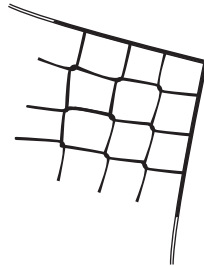
AL12-4
F/F Basebar (1x)



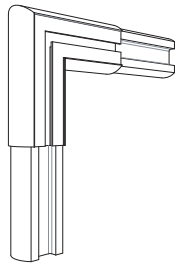
AL12-5
M/F Basebar (1x)



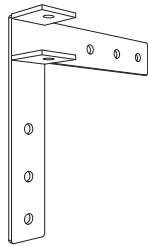
ALU-1
Crossbar Connector (1x)



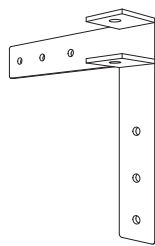
Net (1x)



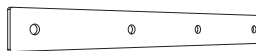
ALU-3
Corner Joint (2x)



ALU-4
Corner Bracket Left (1x)



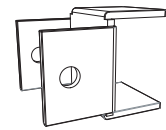
ALU-5
Corner Bracket Right (1x)



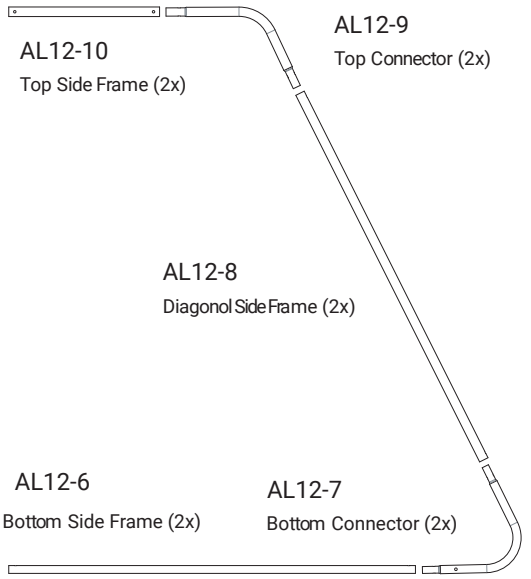
ALU-2
Straight Bracket (1x)



ALU-6
Bottom Bracket Right + Left (2x)



ALU-7
Basebar Bracket Right + Left (2x)



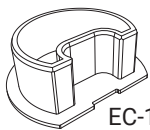
AL12-10
Top Side Frame (2x)

AL12-9
Top Connector (2x)

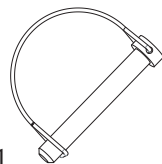
AL12-8
Diagonal Side Frame (2x)

AL12-6
Bottom Side Frame (2x)

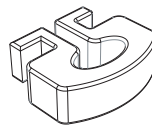
AL12-7
Bottom Connector (2x)



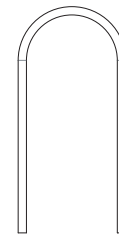
EC-1
End Cap (2x)



SP-1
Securing Pin (2x)



NC-1
Push & Twist clips (x24)



Ground pegs (4x)



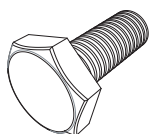
NW-1
Nylon Washers (14x)



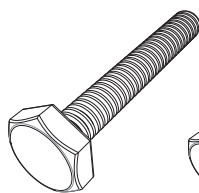
NW-2
Nylon Washers Small (x10)



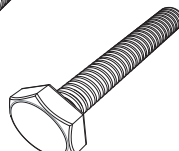
CT-1
Cable ties (28x)



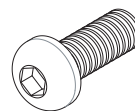
A1
M10 (14x)



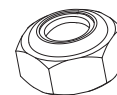
B1
M8 (4x)



B3
M8 (2x)



C1
M8 (4x)

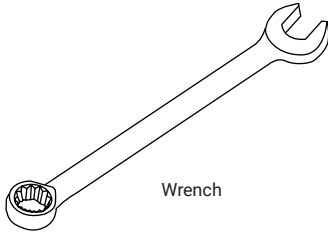


D1
M10 Lock Nut (14x)

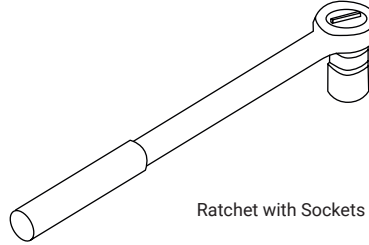


B2
M8 Lock Nut (6x)

HANDY EXTRAS



Wrench



Ratchet with Sockets



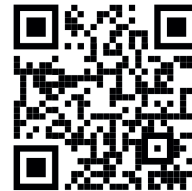
Allen Key

WARNING INFORMATION

1. Read through the instruction manual thoroughly before assembling the goal.
2. Check parts for any defects prior to the assembly of the goal.
3. Only use the goal on a flat surface.
4. Ensure due diligence is carried out and a risk assessment followed prior to the assembly of the goal.
5. Safety/warning stickers must be visible at all times.
6. Goals must be anchored at all times.
7. Never climb on the net or the posts.
8. Ensure the goal is checked for any signs of damage prior to use.
9. Use extreme caution when moving the goal.
10. Remove nets when goals are not in use.

2 Year Manufacturer Warranty:

Register your 2 yr warranty within 15 days of purchase
visit: Warranty.QuickPlaySport.com or scan this code: _____



What your warranty covers?

Replacement parts within two years of your purchase date.

In accordance to the warranty guidelines above, failure to follow the methods of disassemble, use and storage will void your two year manufacturer warranty.

Warranty exclusions

- Accidental damage
- Misuse and abuse of product
- Lost merchandise
- Failure to properly care for your product

This excludes products which are clearly marketed as all weather products which are designed to be left outside assembled. Please read the website description for further details.

Should you wish to make a warranty claim please contact customer service with the required details. Please provide the following:

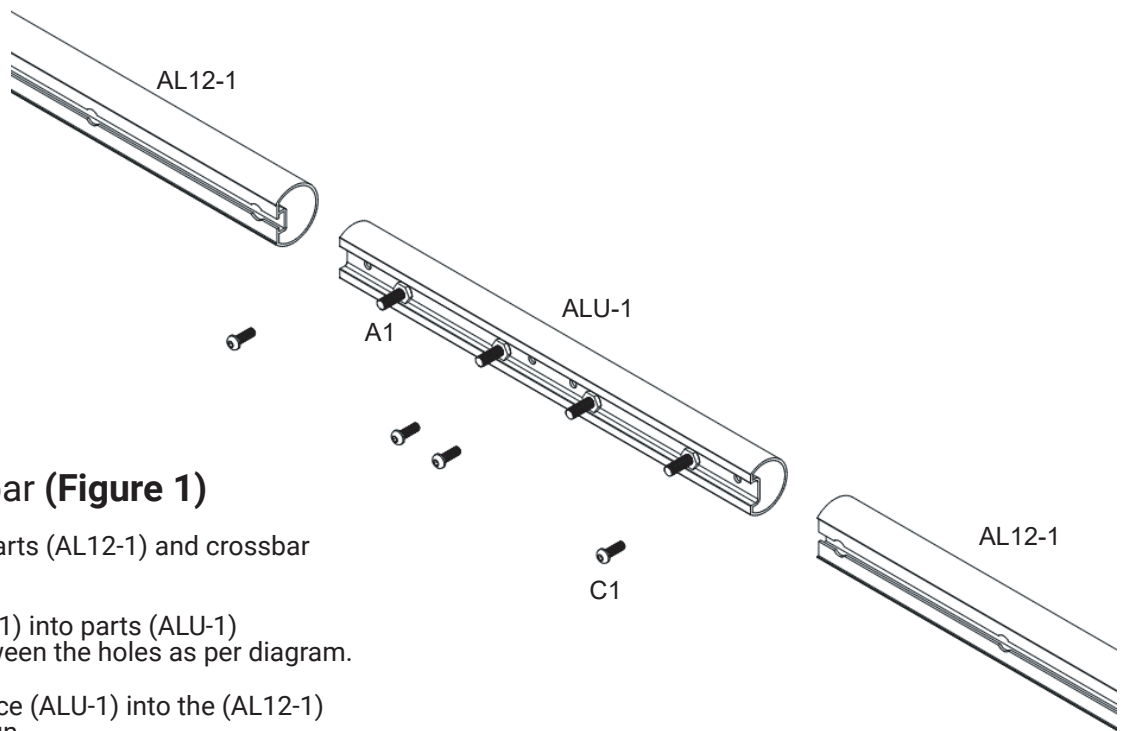
1. Order number
2. Name and full address details
3. Pictures of the fault with a brief description of the problem

Customer service details:

Info@quickplaysport.com

PRODUCT ASSEMBLY

Figure.1



STEP 1 - Crossbar (Figure 1)

Layout the crossbar parts (AL12-1) and crossbar connector (ALU-1).

Slide 4x Bolts parts (A1) into parts (ALU-1) ensuring they are between the holes as per diagram.

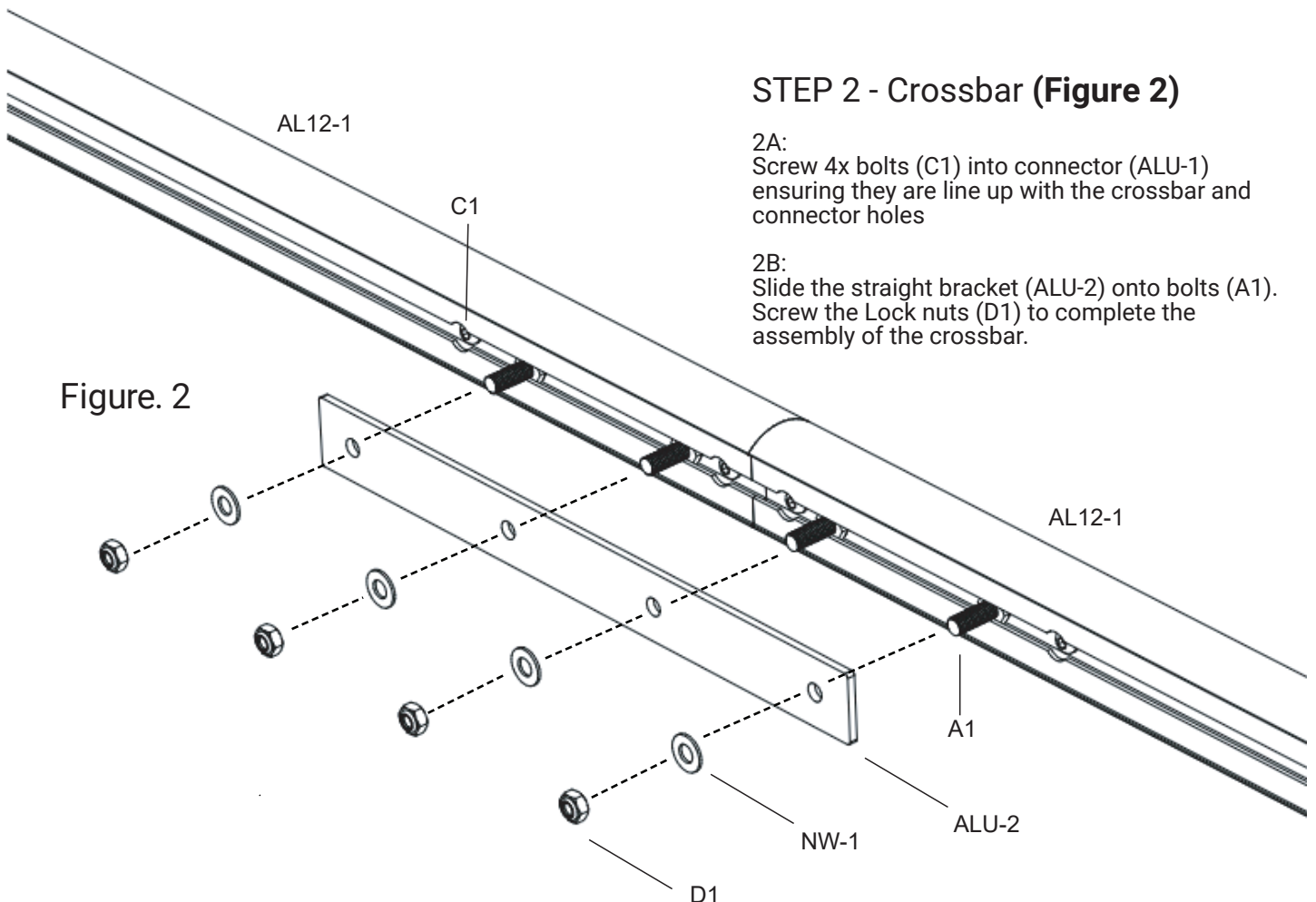
Slot the connector piece (ALU-1) into the (AL12-1) ensuring the holes align

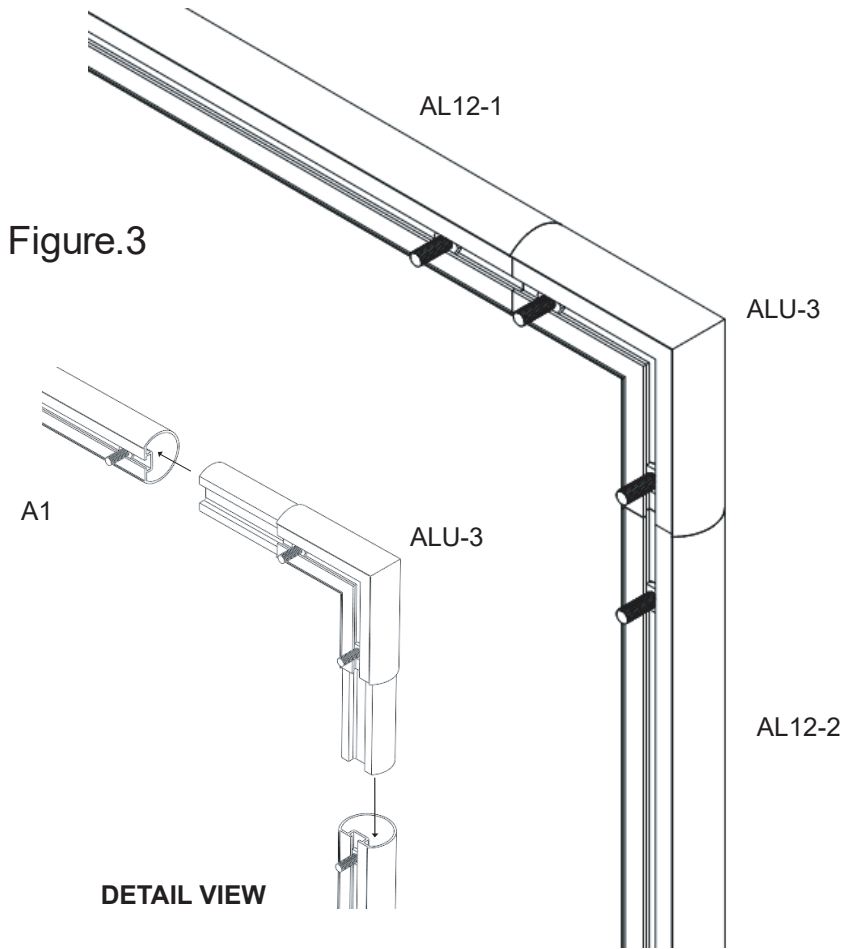
STEP 2 - Crossbar (Figure 2)

2A:
Screw 4x bolts (C1) into connector (ALU-1) ensuring they are line up with the crossbar and connector holes

2B:
Slide the straight bracket (ALU-2) onto bolts (A1).
Screw the Lock nuts (D1) to complete the assembly of the crossbar.

Figure. 2





STEP 3 - Attach Crossbar to uprights (Figure 3)

Slide 4x bolts (A1) into both corner joints (ALU-3)

Attach the corner joints to the crossbar and uprights (AL12-1, AL12-2)

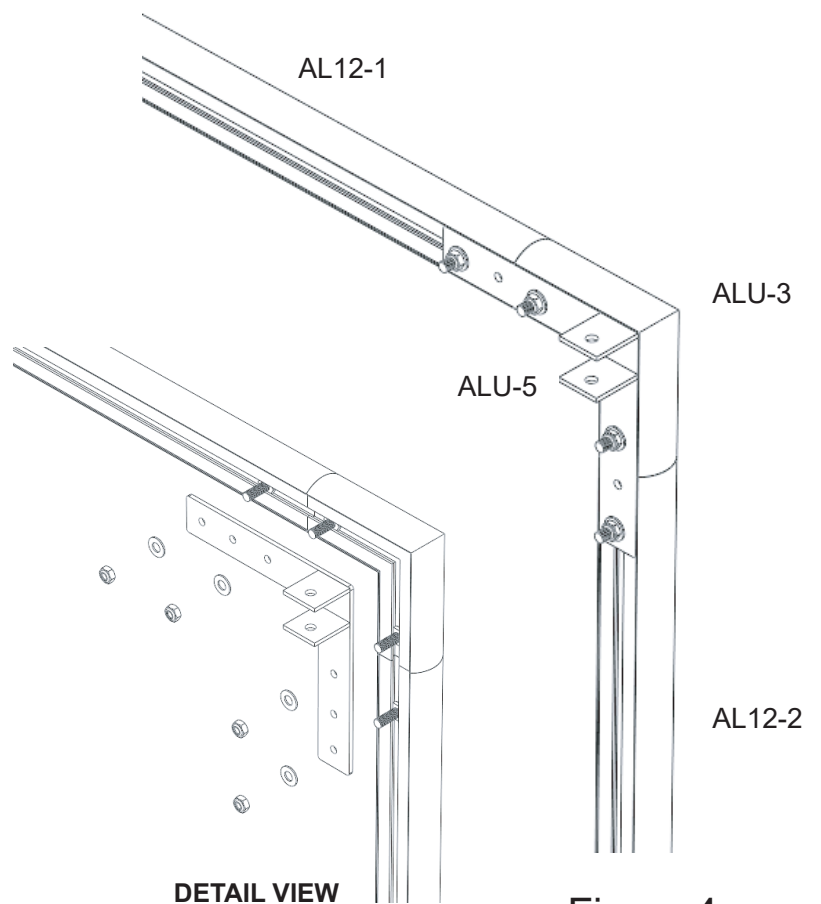
STEP 4 - Fixing Crossbar to uprights (Figure 4)

Place the Right corner bracket (ALU-5) onto the corner joint

Ensure the bolts (A1) are positioned correctly and slot through the holes match the drawing shown in (Figure 4)

Secure the bracket in place with the nuts (D1)

Repeat this for the left corner bracket (ALU-4)



STEP 5 - Fixing Bottom brackets to uprights (Figure 5)

Slide 1x Bolt (A1) into the base of both uprights (AL12-2)

Place the bottom brackets (ALU-6) onto the Uprights and ensure the (A1) bolt slots through the required hole on the bottom bracket.

Fix the plastic End cap (EC-1) to the bottom of the upright, lightly tap with a mallet to fix in place.

Secure the bottom brackets using the M10 Lock Nut (D1) on each bracket

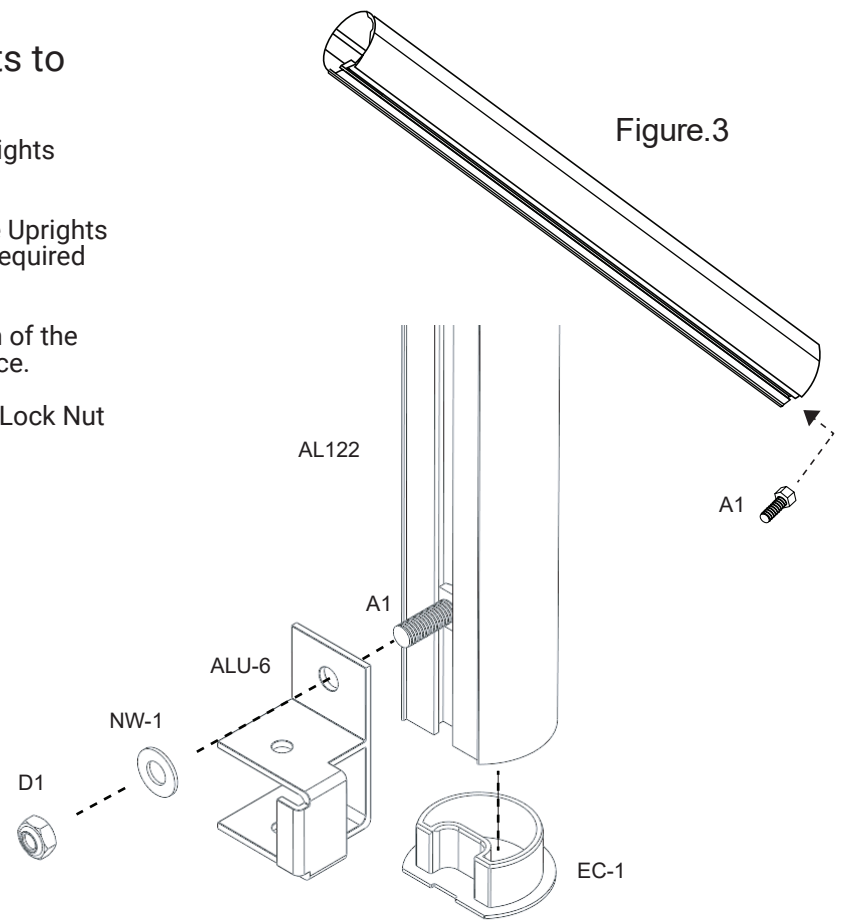
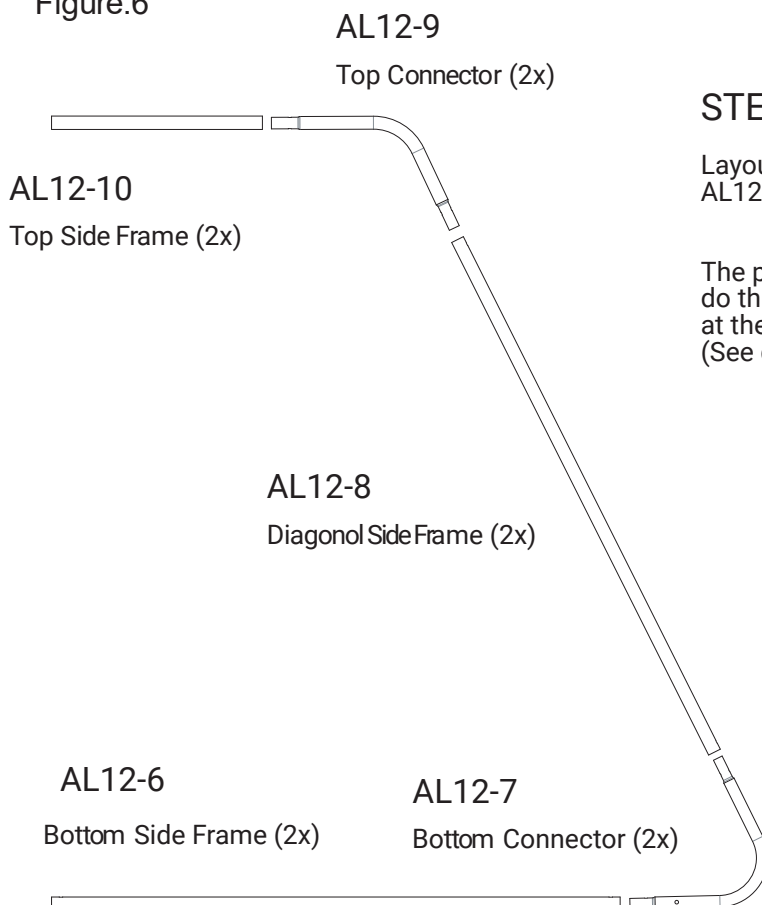


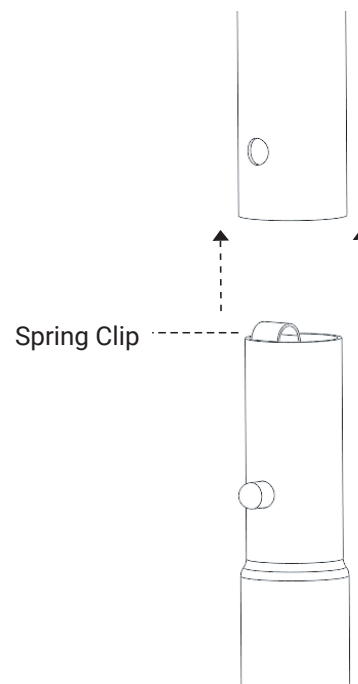
Figure.6



STEP 6 - Side frames (Figure 6)

Layout all the parts for each side frame (AL12-6, AL12-7, AL12-8, AL12-9, AL12-10)

The parts will need to be attached using the spring clips, to do this push on the spring clip and push the tubes together at the same time.
(See diagram below)



STEP 7 - Fix Basebar joints to side frames (Figure 7)

Place the Basebar joint (ALU-7) over the unsecured Bolts (B3)

Secure each Basebar joint to the bottom side frame (AL12-6) with an M8 lock nut (B2)

Figure.8

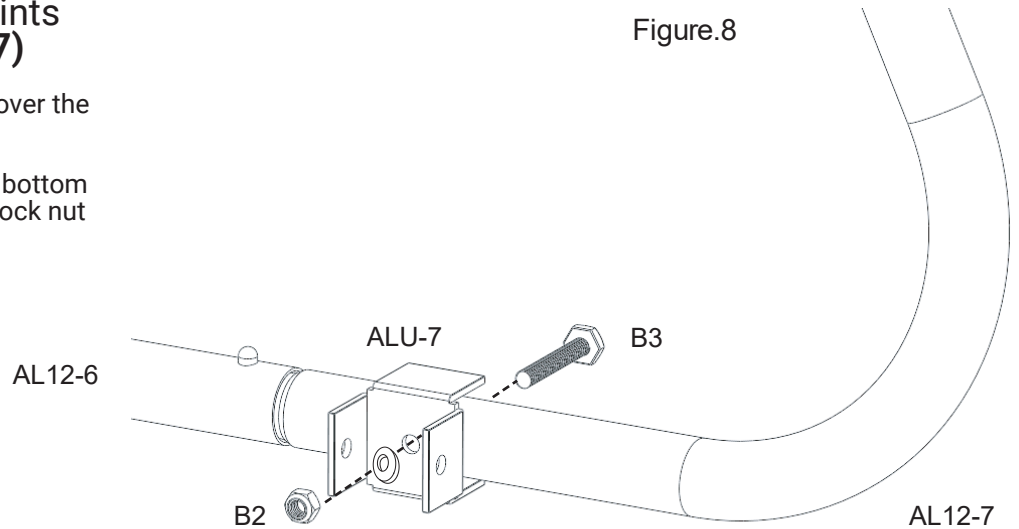
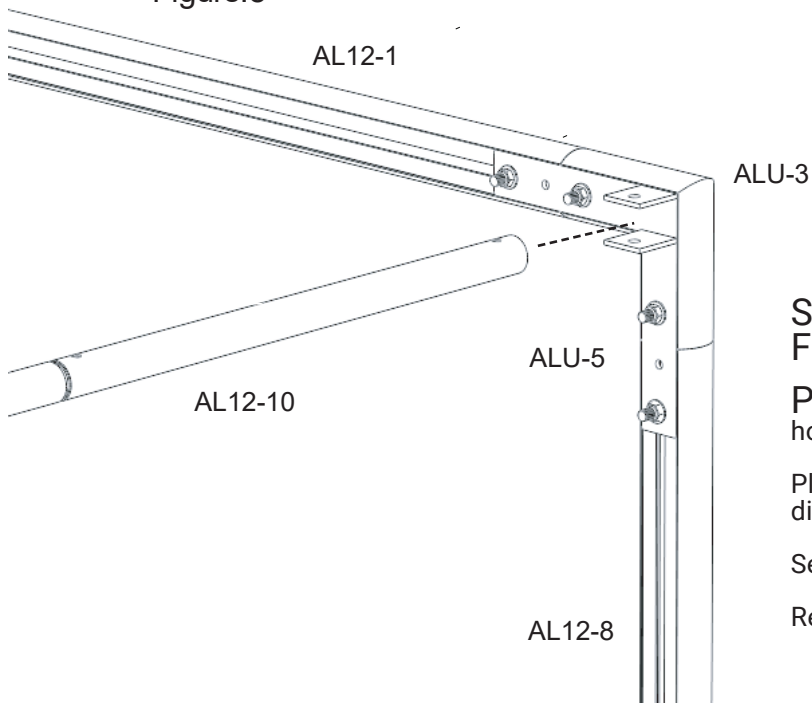


Figure.8



STEP 8 - Attach Side frames to Goal Frame (Figure 8)

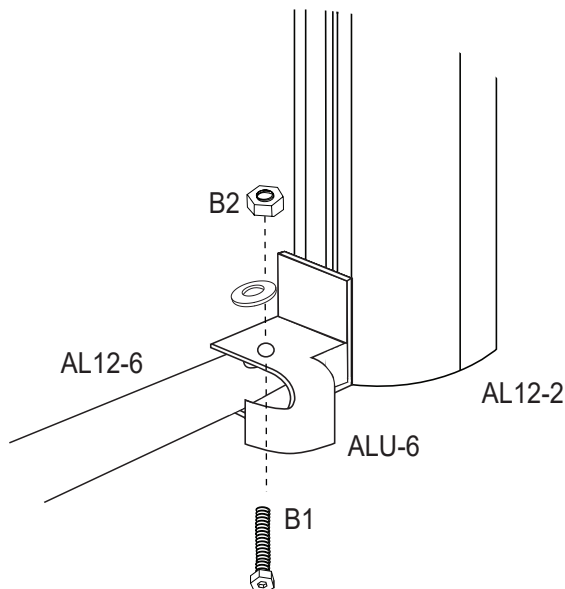
Position the top of the side frame (AL12-10) so that the holes line up with the corner brackets (ALU-4, ALU-5)

Place the Bolt (B1) through the top of the holes as per diagram.

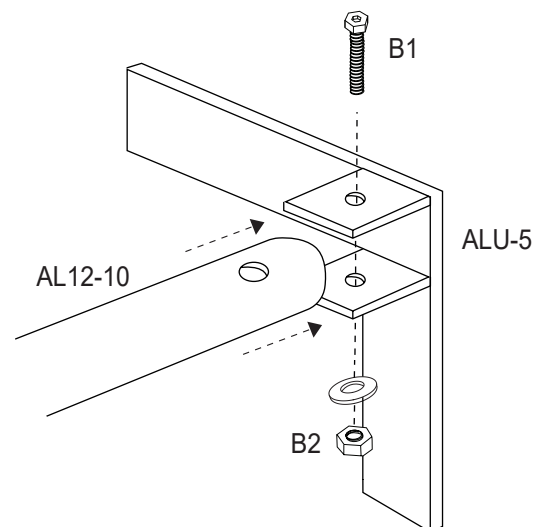
Secure the M8 Bolt (B1) with the Lock Nut (B2)

Repeat the process on the bottom brackets

Bottom Corner



Top Corner

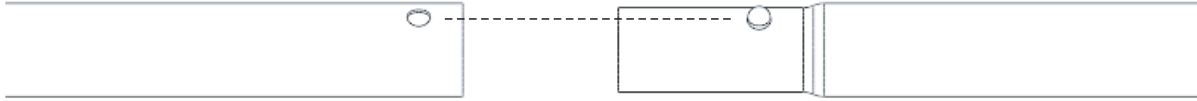


STEP 9 - Side frames (Figure 9)

Slot Basebar pieces (AL12-4 & AL12-5) together.

The parts will need to be attached using the spring clips, to do this push on the spring clip and push the tubes together at the same time.
(See diagram below)

Figure.9

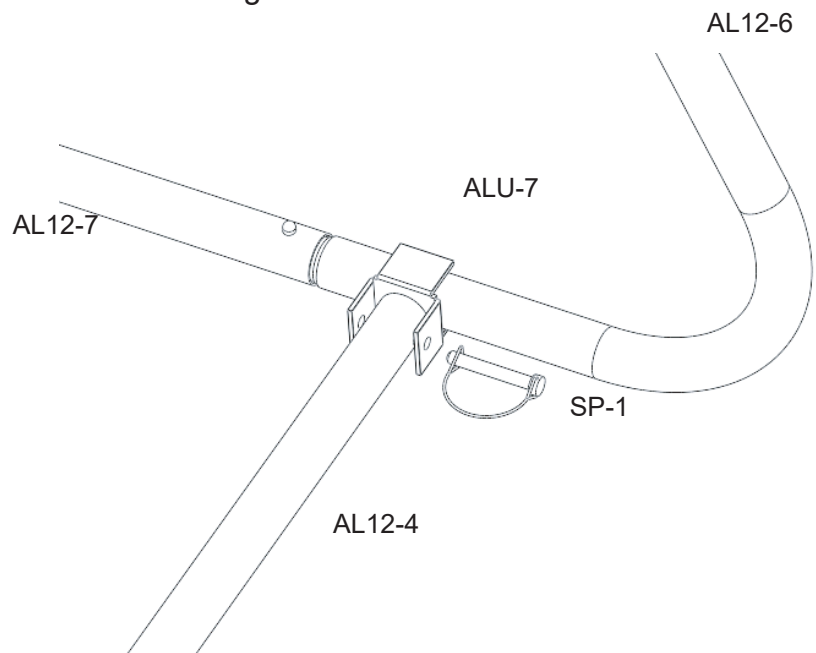


STEP 10 - Secure the Basebar to side frame (Figure 10)

Place the connected Basebar within the Basebar joints (ALU-7)

Use the Securing Pins to fasten the Basebar into place.

Figure. 10



STEP 11 - Final assembly check

Please ensure frame is fully assembled and no screws or bolts are loose.
All bolts are screws must be fastened tight. Otherwise this may result in injury

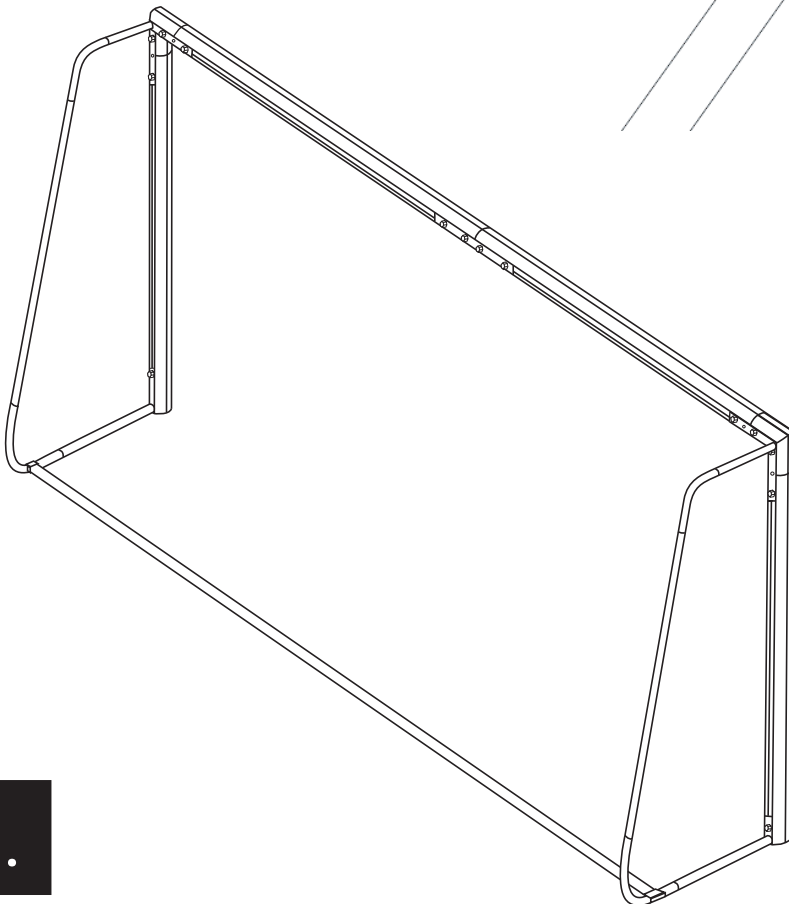
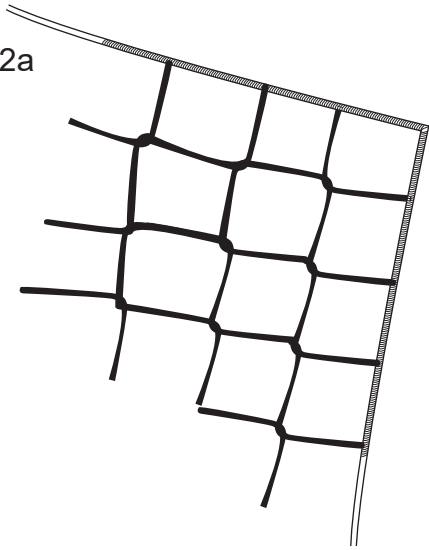


Figure. 11

Figure.12a



STEP 12 - Attaching the Net

Place the net over the frame, denote that 'Top Corner' tabs as per (Figure 12a).

Attach net the to the frame using the net clips (NC-1). The push and twist technique is shown in the (Figure. 12b)

Figure.12b

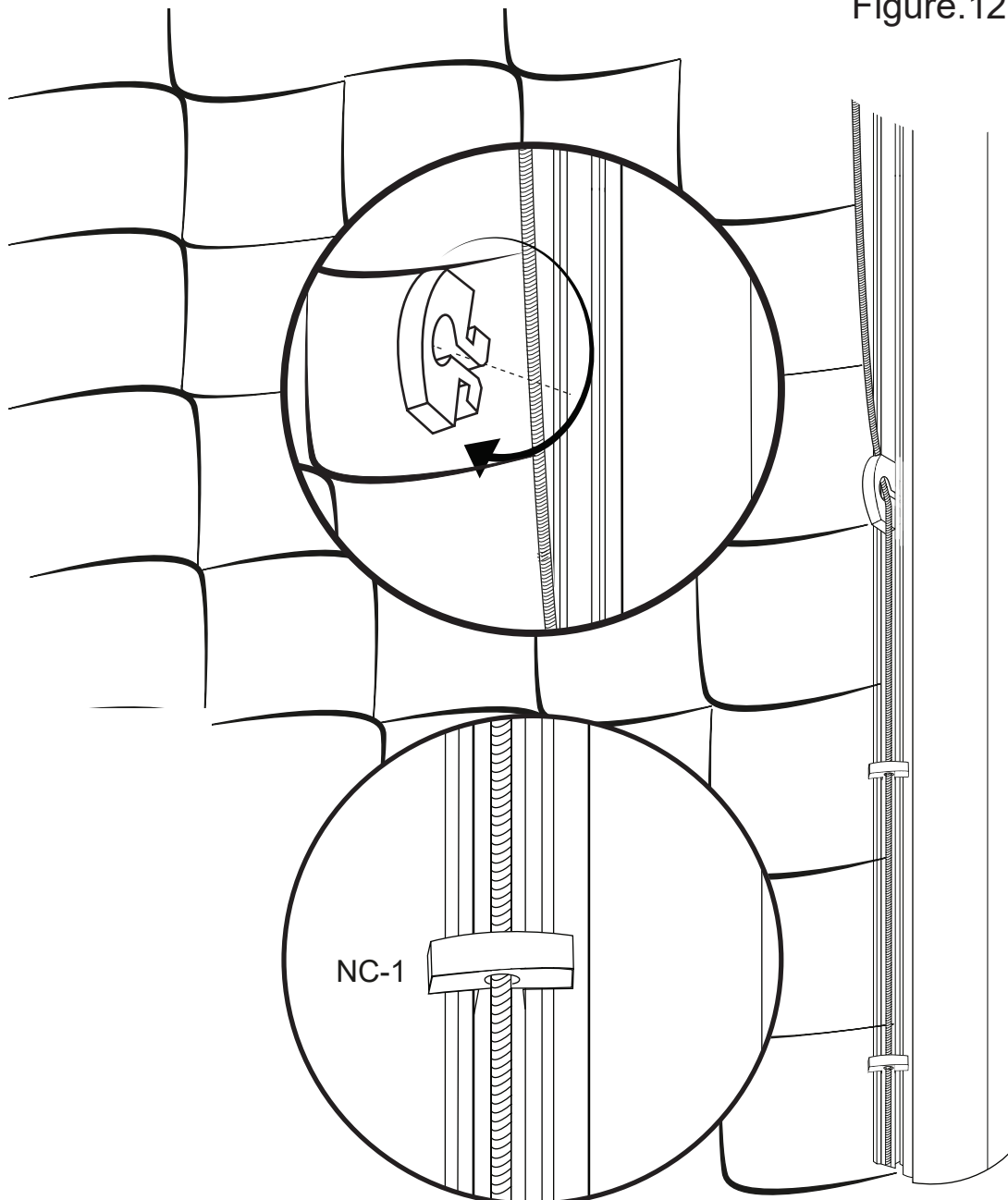
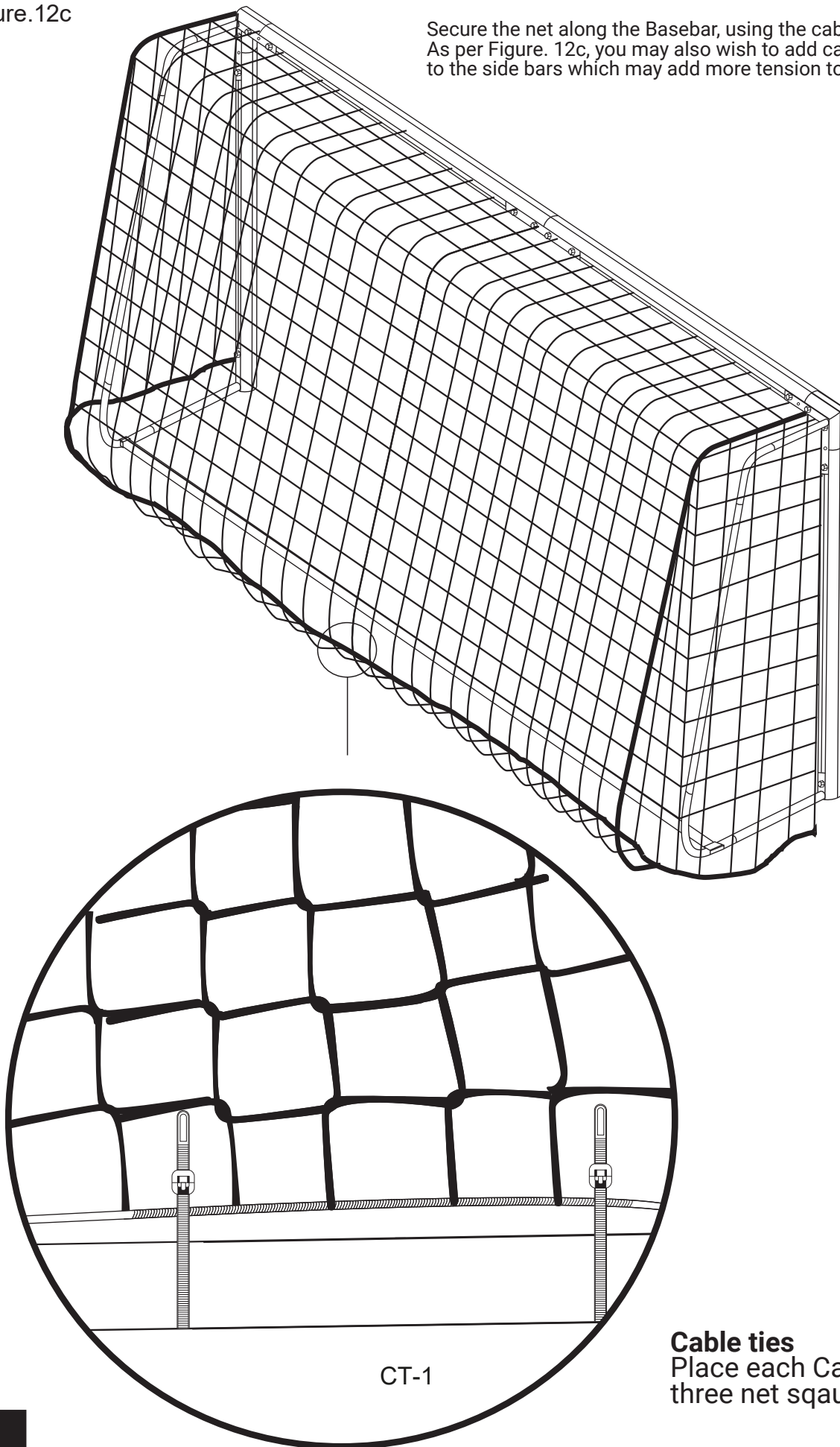


Figure.12c

Secure the net along the Basebar, using the cable ties (CT-1),
As per Figure. 12c, you may also wish to add cable ties
to the side bars which may add more tension to your goal



Cable ties
Place each Cable tie
three net squares apart

FOLD AWAY

