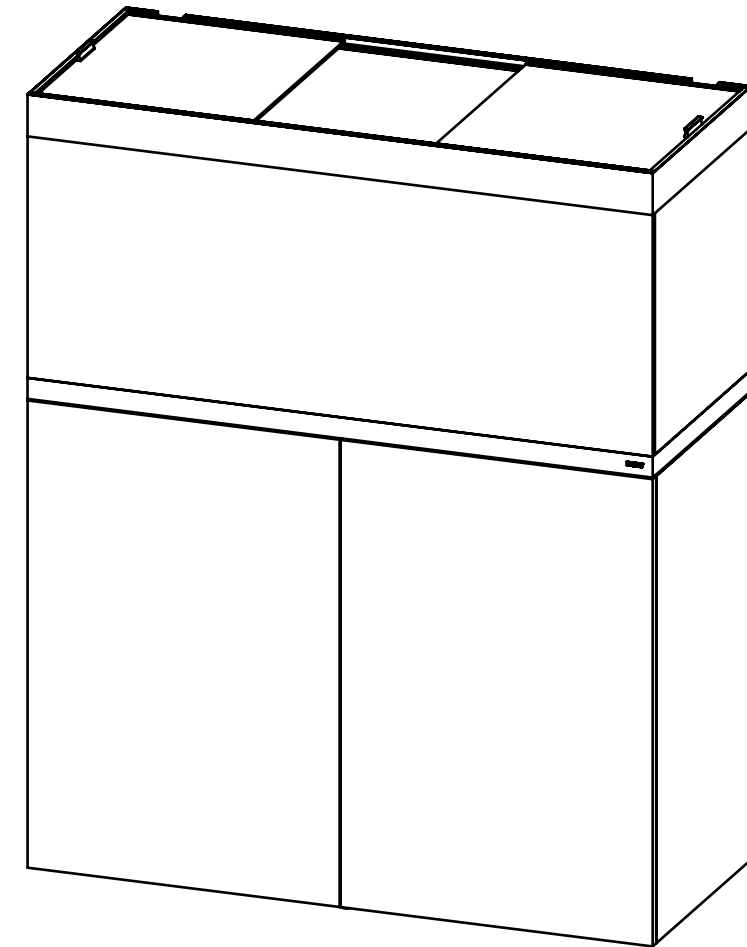


WATERBOX[®]
A Q U A R I U M S

WATERBOX[®]
A Q U A R I U M S



PRODUCT MANUAL

EDEN[®] X 60|80

EDEN[®] X 80 PENINSULA

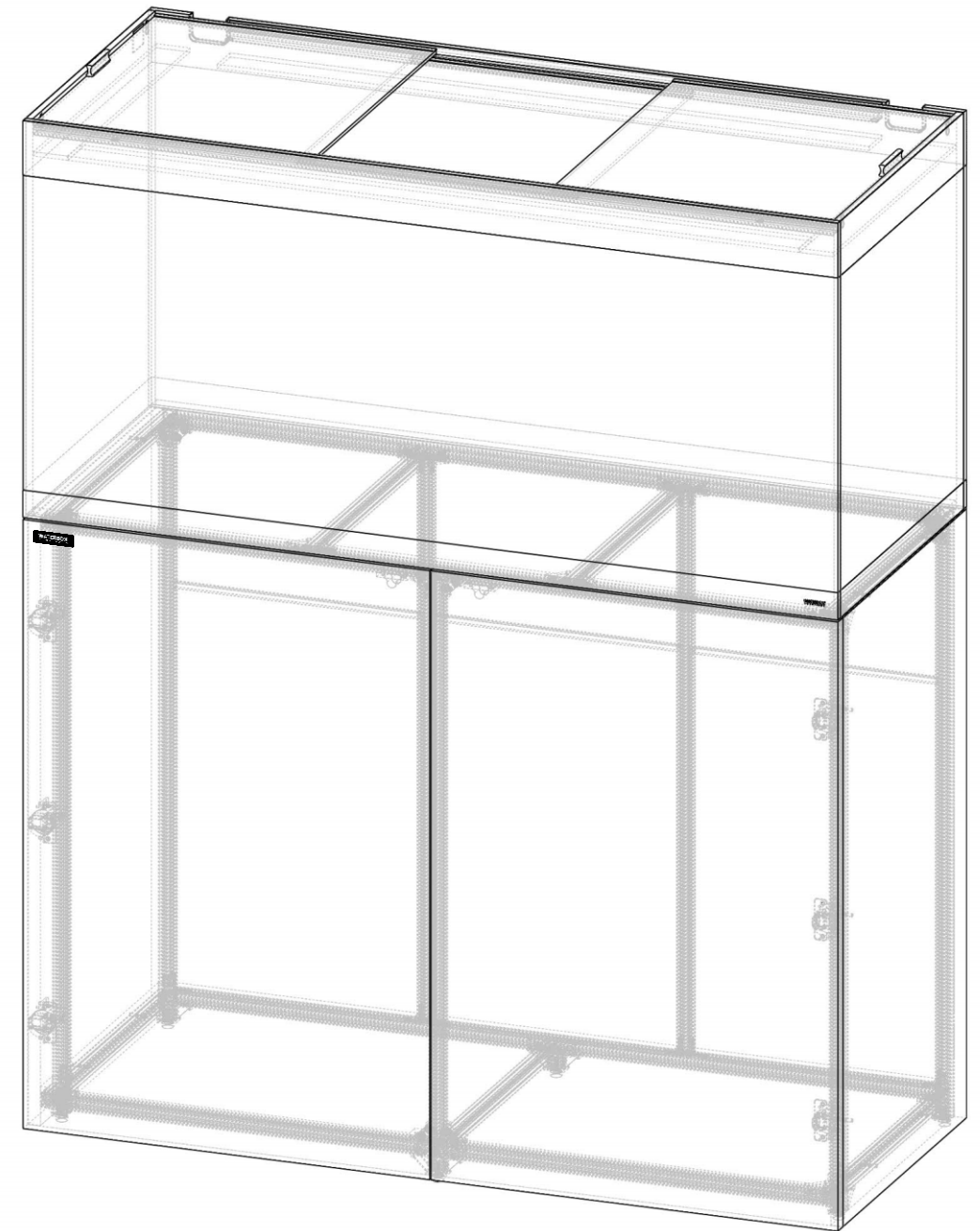
WB-GR04-7407

Waterbox Aquariums USA
320.W.Sabal Palm Place
Longwood, FL 32779
www.waterboxaquariums.com

USA: +1 800-674-2608
Canada: +1 437 888 2612
Europe: +31 20 808 3685
UK: +44 1784 614175



EDEN[®]X 3D View



MY WATERBOX

Tank Model _____ Tank Lot # _____

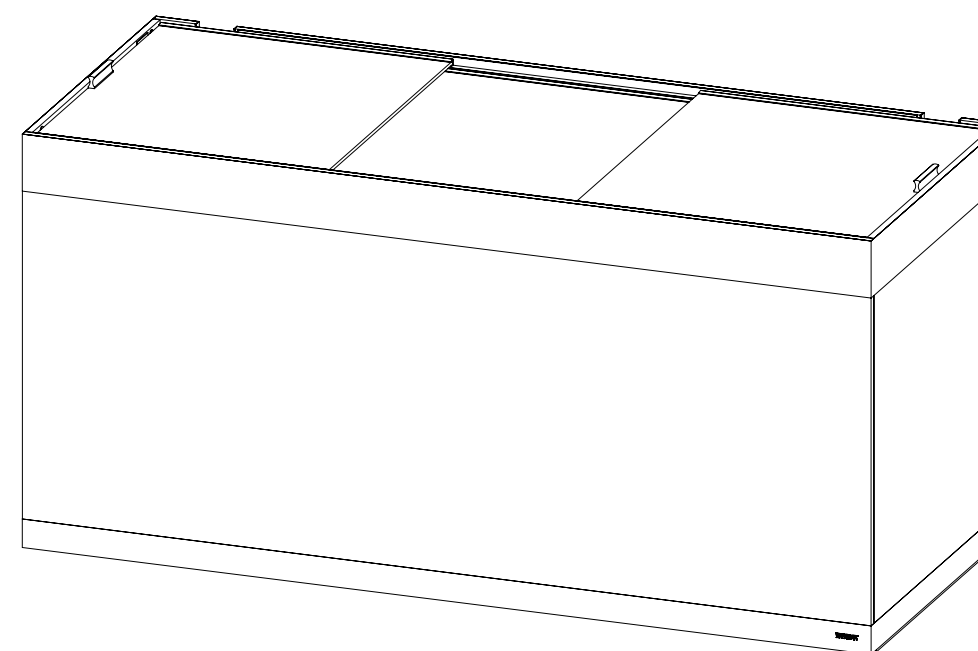
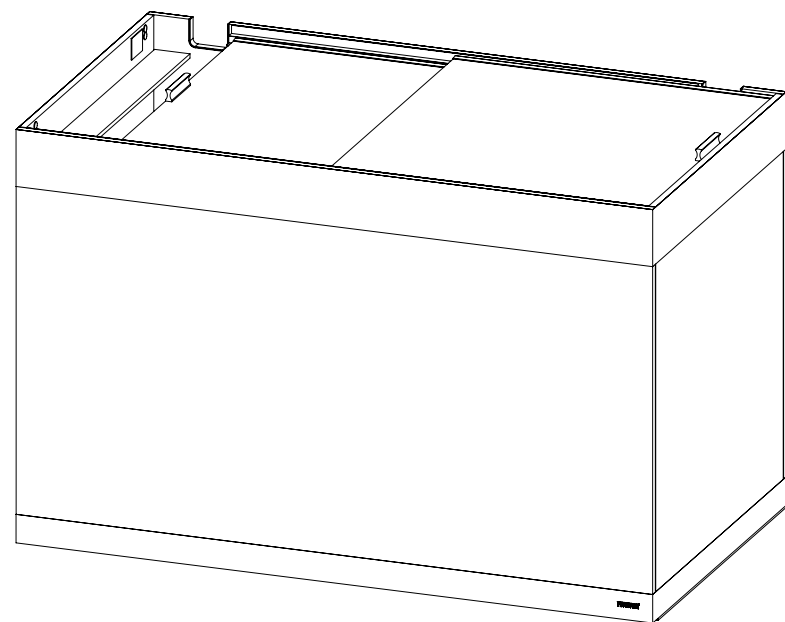
Cabinet Model _____ Cabinet Lot # _____

Purchase Date _____

Sellers _____

Address _____

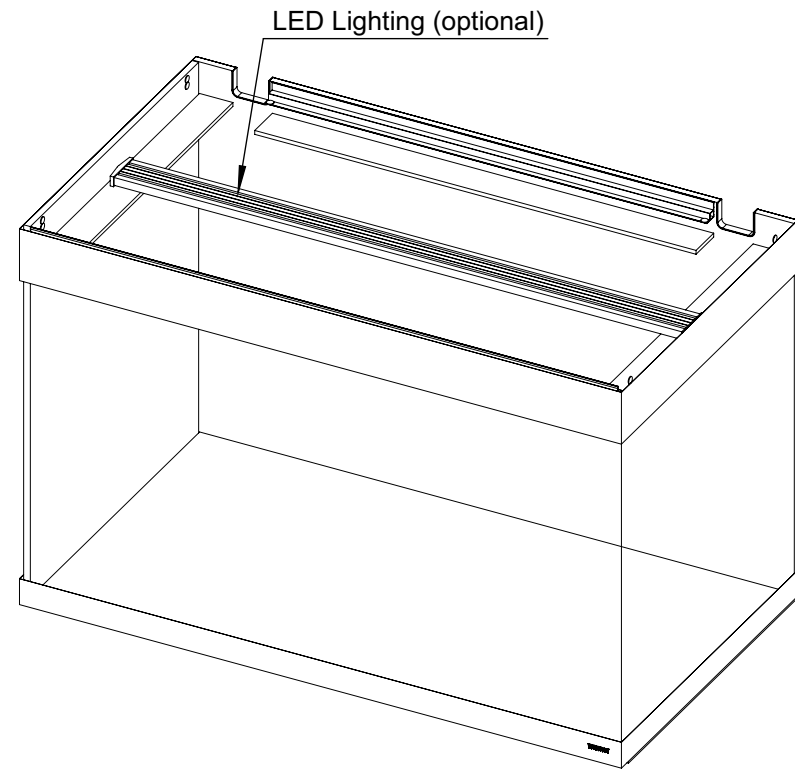
TEL/Mobile _____



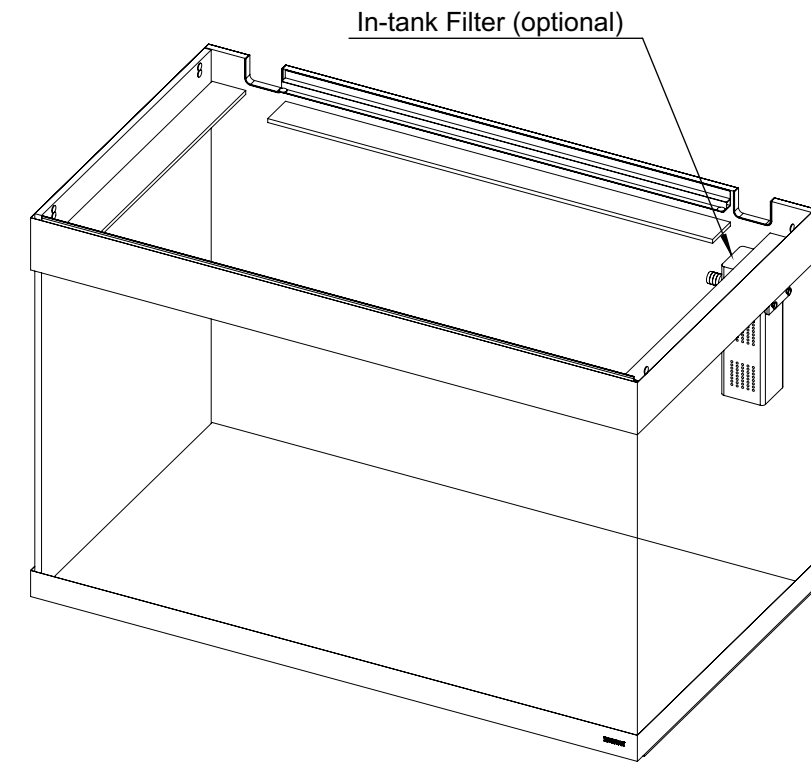
Technical Specifications		
Dimensions	35.4" x 19.7" x 22.8"	900 x 500 x 580mm
Glass Thickness	2/5"	10mm
Aquarium Volume	57 gals	217 L
Max Water Level	20.2"	514mm
Max LED Lighting Length	34.6"	878mm
Min LED Lighting Length	31.1"	790mm
Max LED Lighting Thickness	1.1"	27mm
Max Canister Filter Piping	DN20 (1")	DN20 (25mm)
Top Banding Width	3.1"	80mm
Bottom Banding Width	1.5"	40mm
EVA Mat (Black/White)	x 1	
Cabinet Model	ALU 3620	

Technical Specifications		
Dimensions	47.2" x 19.7" x 22.8"	1200 x 500 x 580mm
Glass Thickness	2/5"	10mm
Aquarium Volume	77 gals	290 L
Max Water Level	20.2"	512mm
Max LED Lighting Length	46.4"	1178mm
Min LED Lighting Length	42.9"	1090mm
Max LED Lighting Thickness	1.1"	27mm
Max Canister Filter Piping	DN20 (1")	DN20 (25mm)
Top Banding Width	3.1"	80mm
Bottom Banding Width	1.5"	40mm
EVA Mat (Black/White)	x 1	
Cabinet Model	ALU 4820	

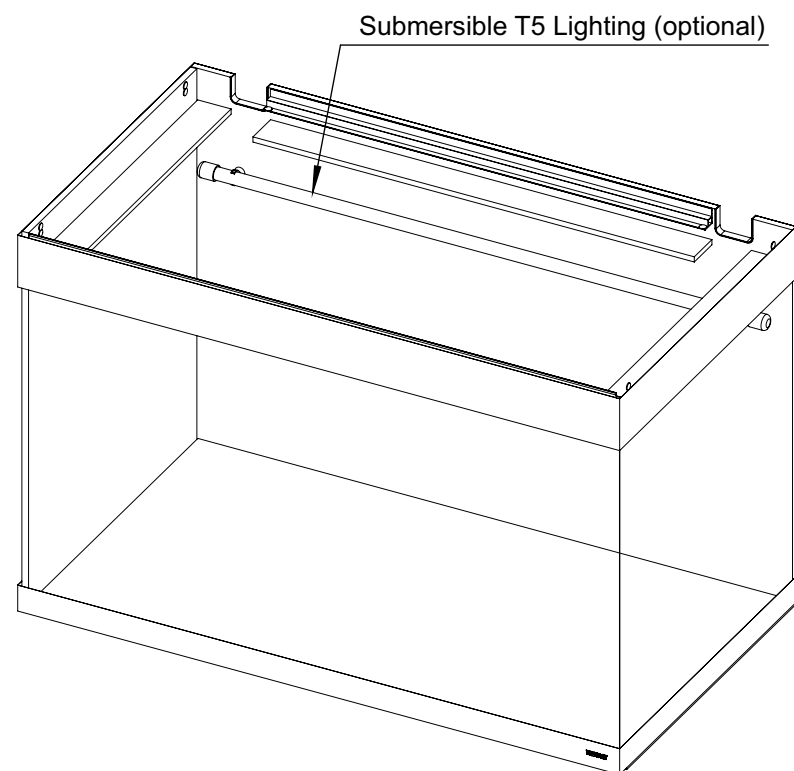
Type 1



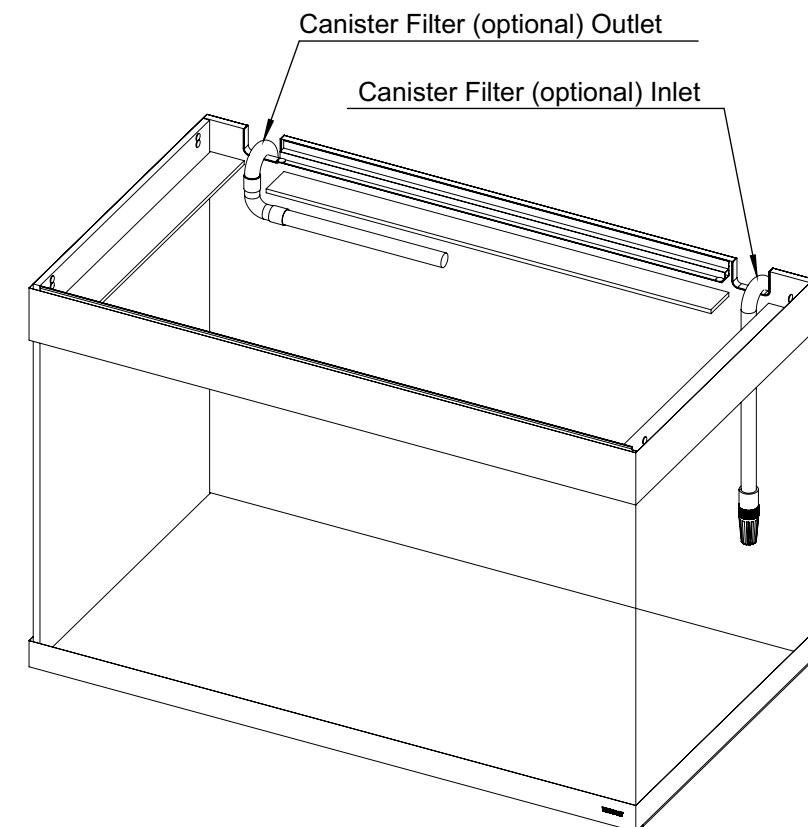
Type 1



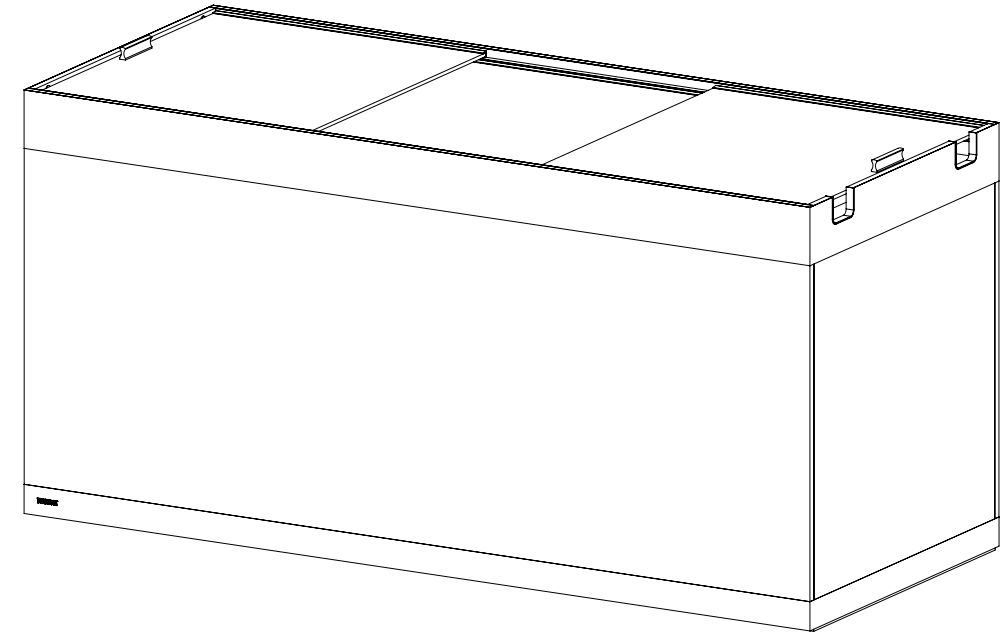
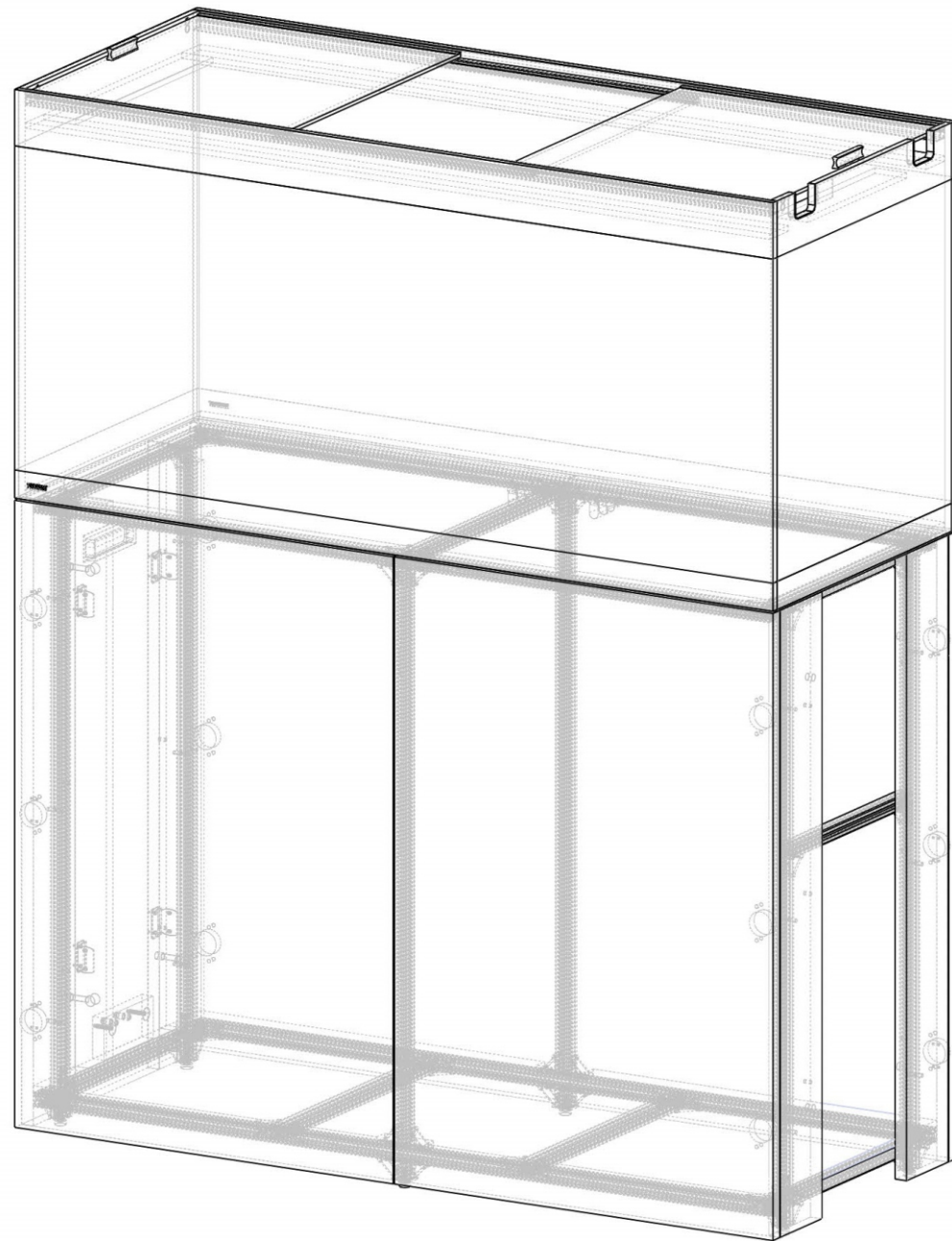
Type 2



Type 2

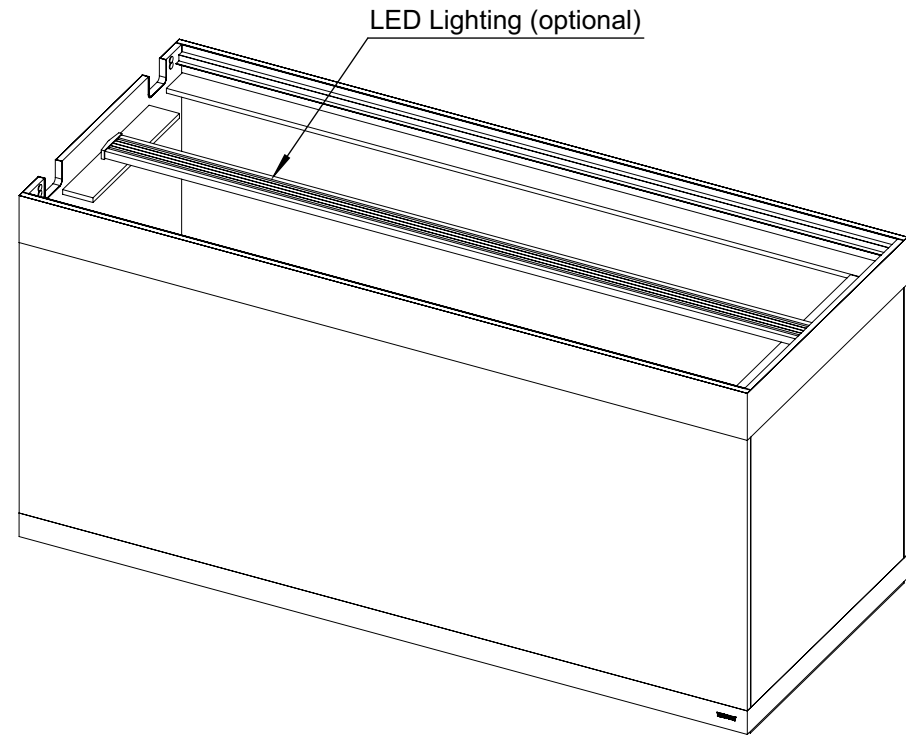


EDEN® X PENINSULA 3D View

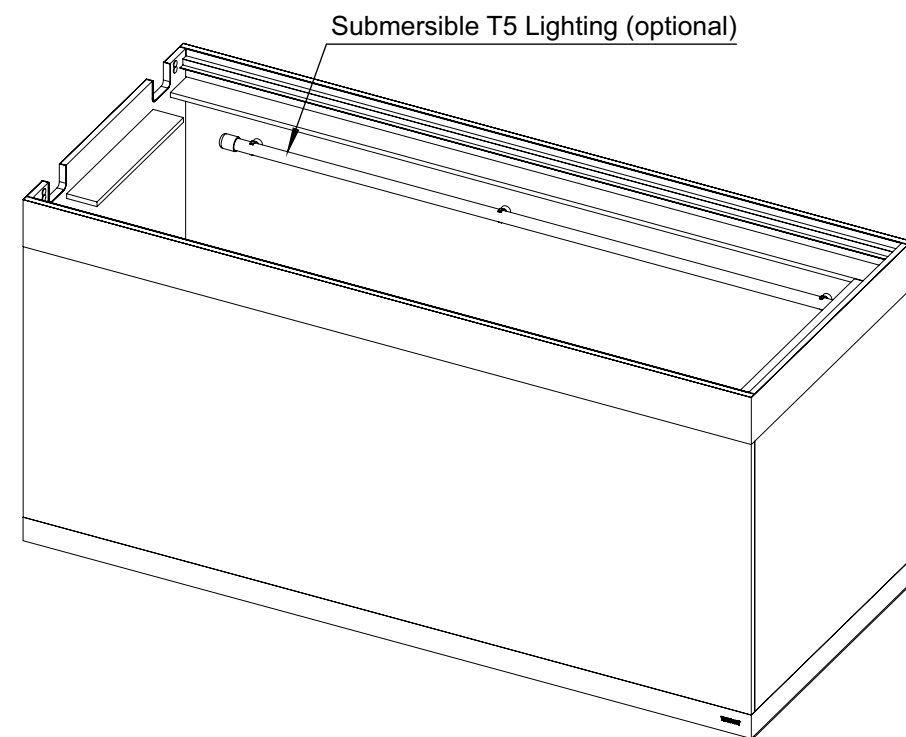


Technical Specifications		
Dimensions	47.2" x 19.7" x 22.8"	1200 x 500 x 580mm
Glass Thickness	2/5"	10mm
Aquarium Volume	77 gals	290 L
Max Water Level	20.2"	512mm
Max LED Lighting Length	46.4"	1178mm
Min LED Lighting Length	42.9"	1090mm
Max LED Lighting Thickness	1.1"	27mm
Max Canister Filter Piping	DN20 (1")	DN20 (25mm)
Top Banding Width	3.1"	80mm
Bottom Banding Width	1.5"	40mm
EVA Mat (Black/White)	x 1	
Cabinet Model	ALP 4820	

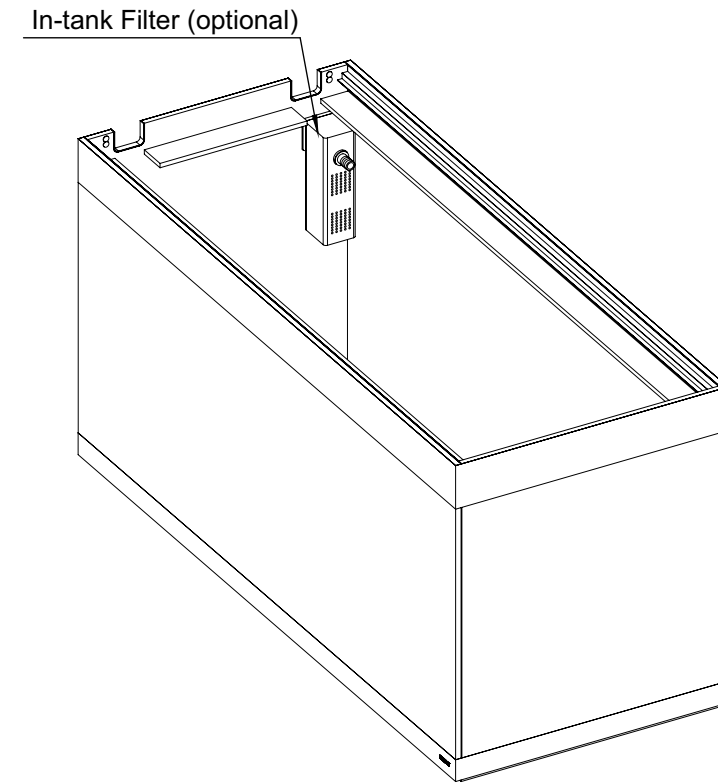
Type 1



Type 2



Type 1



Type 2

