

HORNIT AIRO



WARNINGS

READ USER MANUAL IN FULL BEFORE USE.

To avoid serious injury:

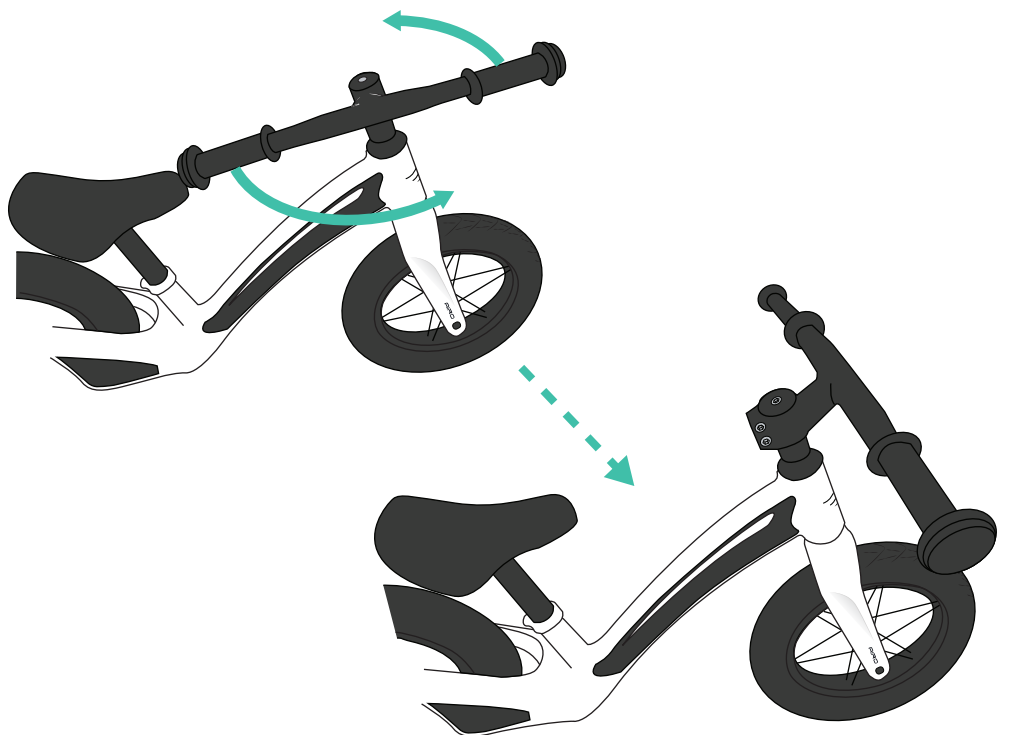
- adult assembly required. Regularly check that the bolts holding the handlebars and seat post are securely tightened to prevent them from moving during use.
- protective equipment, protective clothing and shoes should be worn. The rider should always wear a helmet.
- use only in a safe location and under the direct supervision of an adult. Do not use on roads, hills, stairs or near vehicles, water or fire. Be especially vigilant if the child is riding on a sidewalk/pavement near a public road.
- ensure the child knows how to stop using their feet. There is no brake. This toy should be used with caution since skill is required to avoid falls and collisions, potentially injuring third parties. Keep a safe stopping distance between the rider and obstacles, other people and pets.
- avoid loose fitting clothing or back packs that could become trapped in the wheels.
- if riding in low light ensure the rider has lights to see the way as well as reflective equipment to be seen.
- in case of a fall, inspect the bike for any sharp, loose or broken parts. These should be fixed before using again.

Maximum rider weight: 30kg/66lbs.

Suitable for ages: 18+ months. Keep out of reach of children below this age.

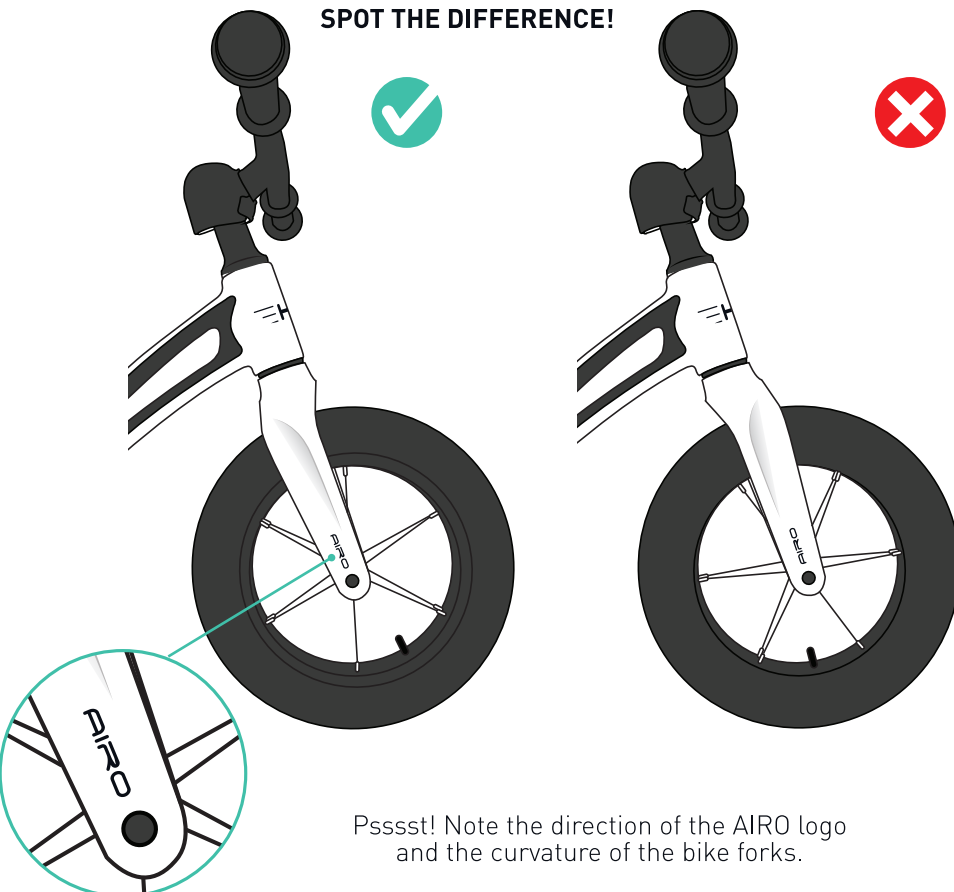
GET READY TO RIDE!

1. Remove all protective packaging from the bike.
2. Twist the handlebars so they are perpendicular to the front wheel and make sure the front forks are facing the correct way - see next page for details.



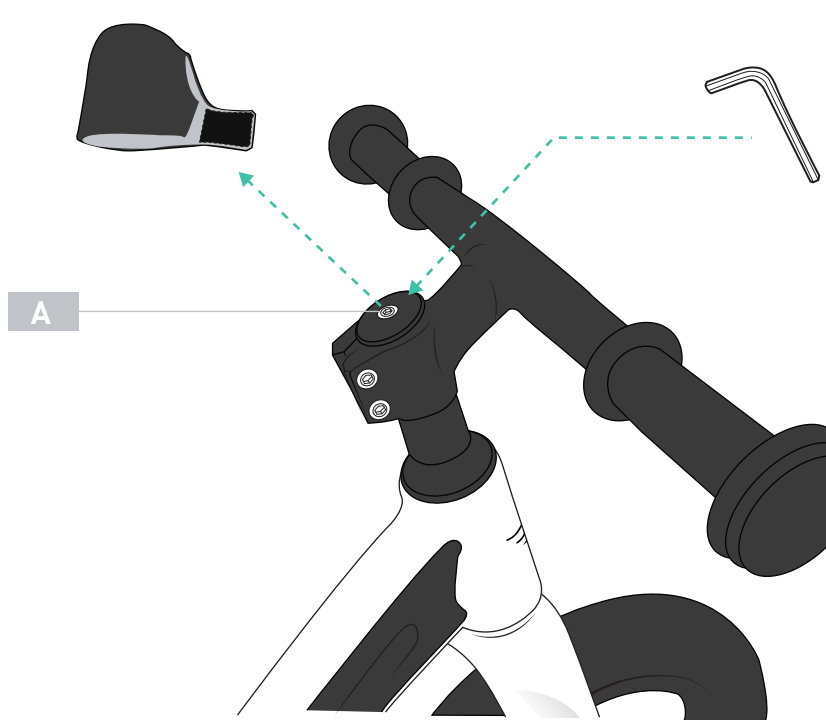
CORRECT FORK POSITION

SPOT THE DIFFERENCE!



Psssst! Note the direction of the AIRO logo and the curvature of the bike forks.

ADJUST THE TOP BOLT



3. Remove the protective neoprene cover and use the 5mm Allen key provided to adjust the top bolt **A**. It should be finger tight (to eliminate play in the headset). Be careful not to overtighten as it should not restrict the steering; the handlebars should turn freely. Overtightening will damage the bearings.

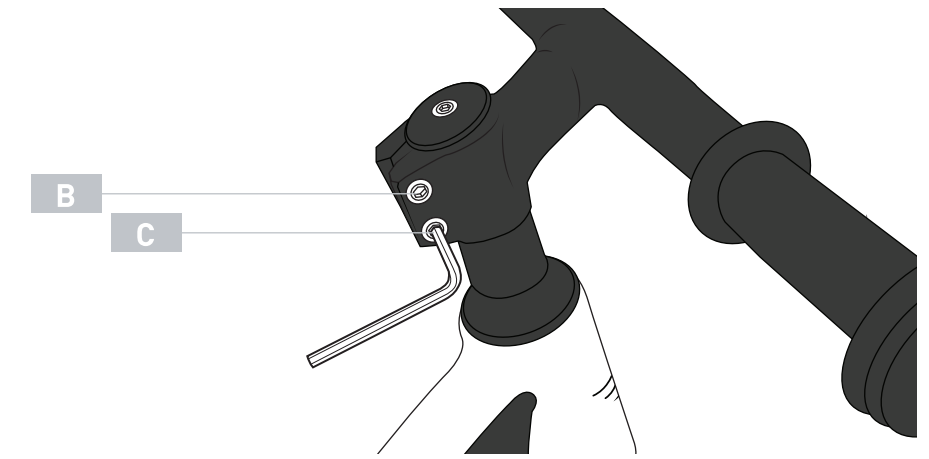


@thehornit



TIGHTEN THE SIDE BOLTS

4. Use the Allen Key to tighten the side bolts **B** and **C alternately** until both are fully secure.

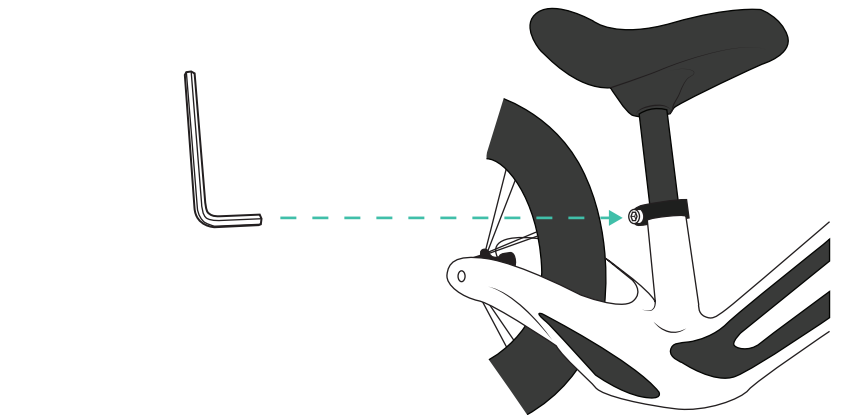


Note: alternating is important because as you tighten one side bolt you cause the other bolt to be able to be tightened further. Both these bolts must be tightened **fully**.

Check: before riding test the handlebars are secure by twisting them to the side whilst keeping the front wheel between your feet. The handlebars should not twist. If they do twist, re-align the handlebars with the front wheel and tighten bolts **B** and **C** further. Be careful not to foul the heads of the bolts: fully insert the Allen key into the bolts each time. Once securely fastened replace the neoprene protective cover.

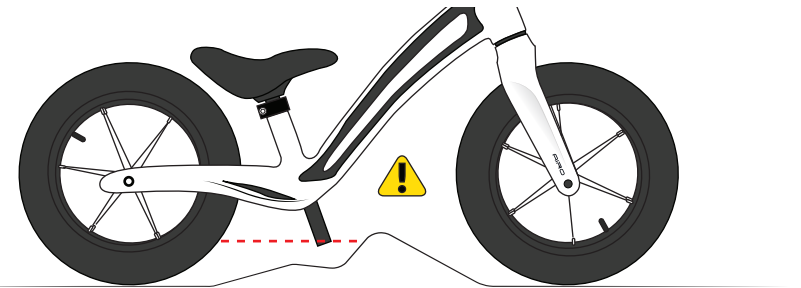
ADJUST THE SEAT HEIGHT

5. The seat should be set at the highest point that the rider can comfortably put both feet fully flat on the ground (see images below).

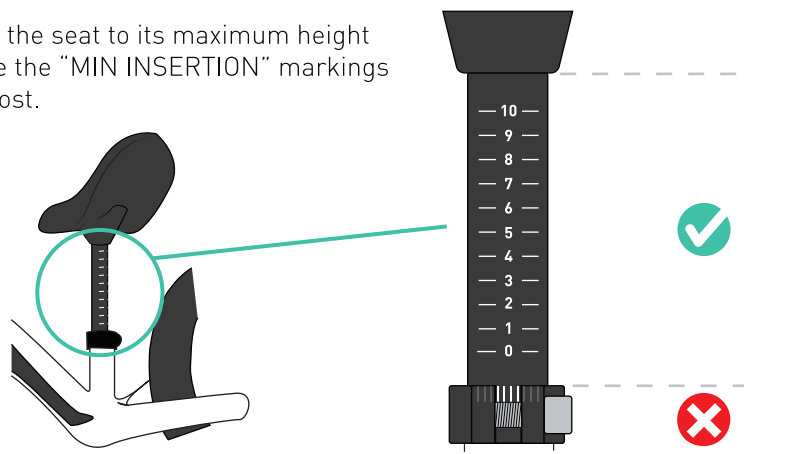


MAXIMUM AND MINIMUM SEAT HEIGHT

At the minimum seat height the end of the seat post sticks out below the bottom bracket. Ensure the terrain is flat enough so the seat post does not catch on any bumps.

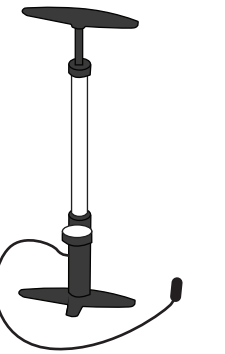


When setting the seat to its maximum height do not expose the "MIN INSERTION" markings on the seat post.



TYRES

Check the tyres are pumped up. They should arrive ready to use, but we cannot guarantee this is the case. Recommended tyre pressure is 20-30psi (1.5 - 2 bar).



USE, MAINTENANCE, CLEANING

The Hornit AIRO is suitable for children:
 - aged 18+ months
 - inside leg 30-48cm (11.8-18.9")
 - under 30kg/66lbs.

Regularly inspect the frame, fork and tyres for signs of undue wear and tear. If unsure seek advice from your local bike shop or contact us.

Store in a dry place, avoiding temperature extremes.

Wash using a recognised, water-soluble bike cleaning product and a damp cloth. Avoid using high pressure washing systems as they can force water into the bearings and cause damage.

Please note the valve caps have been removed in order to comply with the EN71 toy safety regulations as they present a choking hazard.

WARRANTY

All Hornit products are warranted to be free from defects in materials and workmanship for a period of 2 years from the date of purchase. With proof of purchase the AIRO frame and forks are automatically warranted for 3 years from the date of purchase. You can upgrade to a lifetime warranty for the frame and forks by registering your details at hornit.com/register-warranty. The lifetime warranty is valid for as long as the original purchaser owns the bike. All warranties apply only when the product is used as intended, under normal conditions and do not apply when damage is caused by wear and tear, accidents, corrosive substances, water, misuse or neglect. In all cases the warranty is limited to the value of the product. This does not affect your statutory rights.

LIABILITY

THE MANUFACTURER AND ITS AGENTS ACCEPT NO RESPONSIBILITY OR LIABILITY FOR DEATH OR PERSONAL INJURY EXCEPT WHERE PROVED TO BE AS A RESULT OF THE NEGLIGENCE OF THE MANUFACTURER OR ITS AGENTS. THE MANUFACTURER AND ITS AGENTS ACCEPT NO RESPONSIBILITY OR LIABILITY FOR DAMAGE TO PROPERTY OR ANY OTHER LOSS SUSTAINED AS A RESULT OF POSSESSION OF OR USE OF THE PRODUCT, WHATEVER THE REASON OR CAUSE, TO THE FULLEST EXTENT PERMITTED BY LAW.



This product and its packaging are protected by the intellectual property laws of many countries. Violators will be prosecuted.

DESIGNED BY ROY GRINFELD
MADE IN CHINA

Hornit
The Hornits' Nest,
45 Denmark Road,
EXETER, EX1 1SQ (UK)

UK: info@thehornit.com
 USA: usa@thehornit.com
 AUS: australia@thehornit.com
 NZ: nz@thehornit.com

hornit.com