

**⚠ WARNING: Must read before use. Failure to do so can result in serious injury or death.**

Vor Gebrauch unbedingt lesen. Andernfalls sind schwere Verletzungen oder Todesfälle möglich. **HIER SCANNEN.**

À lire absolument avant toute utilisation. Le non-respect de cette consigne peut entraîner des blessures graves, voire mortelles. **SCANNER ICI.**



**SCAN HERE**

Leer antes de usar. El no hacerlo puede resultar en lesiones graves o muerte. **ESCANEE AQUÍ.**

Lezen voor gebruik. Het nalaten hiervan kan leiden tot serieuze verwondingen of de dood. **SCAN HIER.**

Da leggere prima dell'uso. In caso contrario, possono verificarsi lesioni gravi o morte. **SCANSIONA QUI.**

 **solo stove®**

*Fire Pit Surround Instruction Manual*

**FOR RANGER & BONFIRE FIRE PITS**

## IMPORTANT SAFETY WARNINGS

**KEEP THESE INSTRUCTIONS FOR FUTURE USE. DO NOT DISPOSE OF THIS MANUAL. Read instructions in full prior to assembling and using the Solo Stove Surround.**

It is the responsibility of the Owner to ensure that all people in the vicinity of the Surround and Fire Pits are aware of the warnings and precautions while the unit is in use. Use extreme caution and common sense when operating or near the Surround. Failure to do so could result in severe bodily injury or property damage.

**⚠️WARNING:** Failure to comply with all the Manual provisions and usage guidelines could result in property damage, serious bodily injury, death, or fire.

Solo Stove does not accept any responsibility, legal or otherwise, for the incidental or consequential damage to property or persons resulting from the misuse of this product.

Solo Stove shall in no event be liable for any special, indirect, consequential, or other damages of any nature whatsoever in excess of the original purchase price.

## USAGE AND SAFETY GUIDELINES

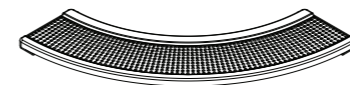
1. FOR OUTDOOR RESIDENTIAL USE ONLY
2. Use only with Solo Stove Ranger or Bonfire Fire Pits. Follow all fire pit guidelines and instructions when using with the Surround.
3. Do NOT leave children or pets unattended around the Surround when the fire pit is in use or cooling down.

4. Exercise caution when using your Surround or serious risk of death or injury may result.
5. Surround and fire pit areas will be hot. Do NOT sit on or lean against Surround.
6. Install on level, stable surfaces only. Do NOT use the Surround on inclined surfaces, uneven ground, vehicles, boats, stairs, or surfaces not designed to handle the weight of the Surround and fire pit.
7. Do NOT attempt to use the Fire Pit Stand with a fire pit in the Surround. The Surround is designed so that the fire pit will rest directly onto the fire pit supports on the Surround crossmembers. No Fire Pit Stand is needed.
8. Do NOT modify or alter the Surround or use in a manner other than specified.
9. Do NOT attempt to move the Surround with a fire pit installed. Remove fire pits from the Surround prior to moving.
10. Do NOT attempt to move a Surround or remove a fire pit from a Surround while a fire is going or while a fire pit is cooling down.
11. Do NOT sit, stand, or rest items heavier than 5kg (10lbs) on the Surround shelves.
12. Do NOT set plastics or heat sensitive materials on the Surround shelves while in use.
13. The powder coated finish is very durable, but it can be scratched. Do not drag items across the shelves to avoid damaging the surface.
14. Take care to avoid dropping logs or other items onto the shelves or damage could occur.
15. Keep the Surround from sitting in standing water or prolonged periods covered with Snow and/or Ice. A Solo Stove Surround Shelter is suggested whenever the Surround is not in use.

## UNPACKING

Remove all items from box, carefully unwrap, and inspect for damage. During assembly, do not place items on abrasive or rough surfaces or damage to part finish may occur.

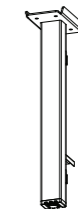
*If any parts are damaged or missing STOP and contact Solo Stove Customer Service at (817) 900-2664*



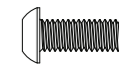
Shelf Section (Qty. 4)



Fabric Stay (Qty. 8)



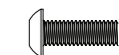
Leg (Qty. 4)



M6 x 16m Screw (Qty. 32)



M6 Washer (Qty. 32)



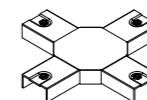
M5 x 16mm Screw (Qty. 8)



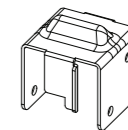
M5 Washer (Qty. 8)



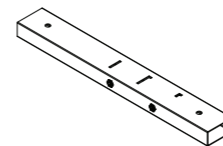
Inner Bezel (Qty. 4)



Crossmember Connector



Bracket (Qty. 4)



Crossmember (Qty. 4)



Fabric (Logo)



Fabric (No Logo. Qty. 3)



Torx Wrench

# ASSEMBLY

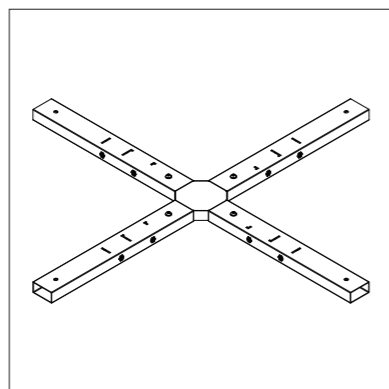
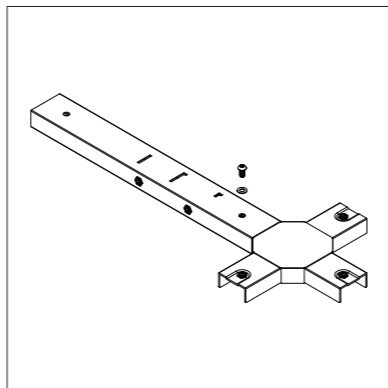
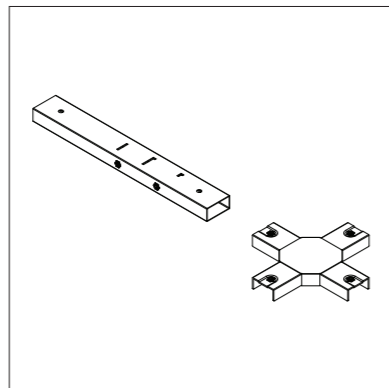
Assemble on flat, level surface

Note - Do not fully tighten screws

until Surround is fully assembled. Start and tighten all fasteners by hand or with hand tools for best results. Using power tools may cross thread or strip fasteners and is not recommended. Some screw loosening may be needed during assembly to allow for component alignment.

## Step 1

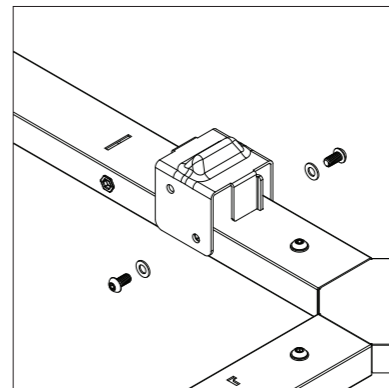
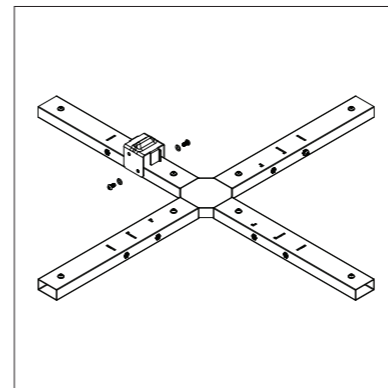
Attach (4) crossmembers to crossmember connector with (4) M6 x 16mm screws and (4) M6 washers. Note the correct crossmember orientation below.



## Step 2

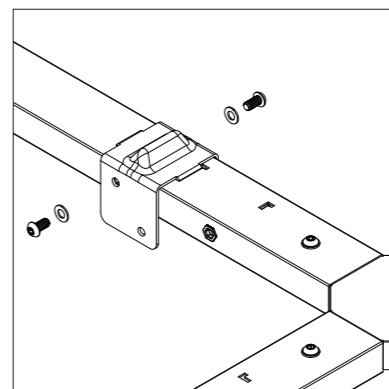
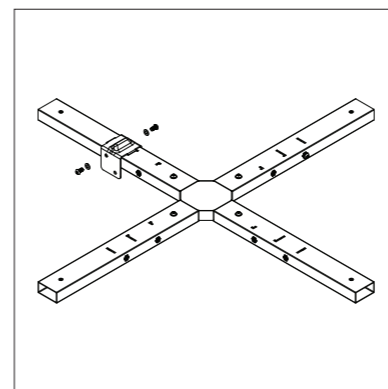
Install brackets as shown with (2) M6 x 16mm screws and (2) M6 washers per crossmember.

NOTE - The Surround (sm) will work with either Solo Stove Ranger or Bonfire fire pits. The fire pit support brackets should be installed in the location that corresponds to the correct fire pit as shown below -



### For Ranger

Install brackets in inner bracket locations. Note that in Ranger location, the brackets do not insert completely into the crossmember.

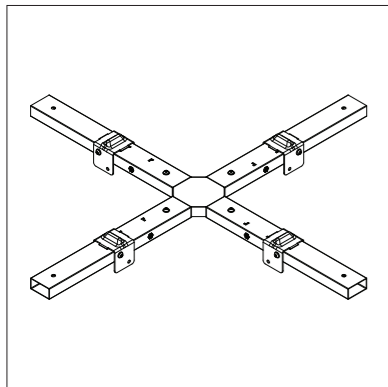


### For Bonfire

Install brackets in outer bracket locations.

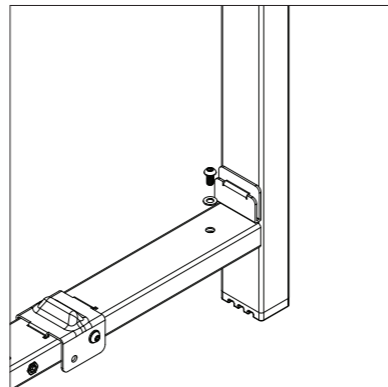
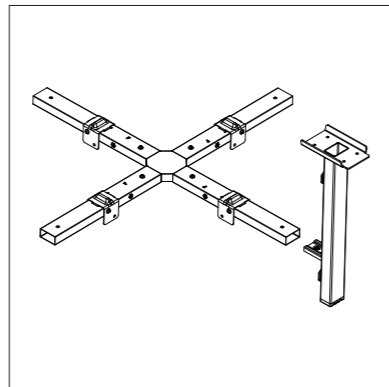
### Step 3

Repeat Step 2 for the remaining (3) fire pit support brackets (Bonfire configuration shown)



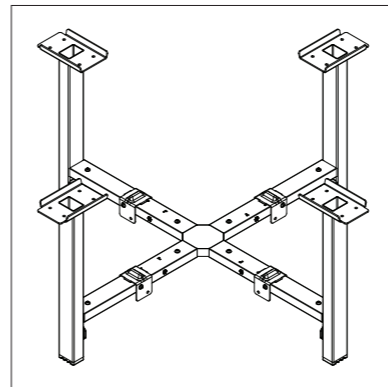
### Step 4

Attach leg to crossmembers with (1) M6 x 16mm screw and washer.



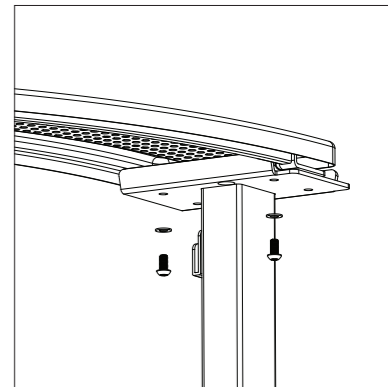
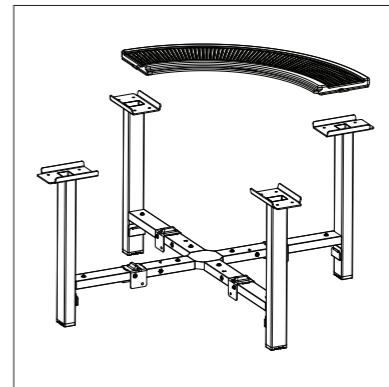
### Step 5

Repeat for the remaining legs.



### Step 6

Attach shelves to leg brackets with (4) M6 x 16mm screws and washers (2 per end).



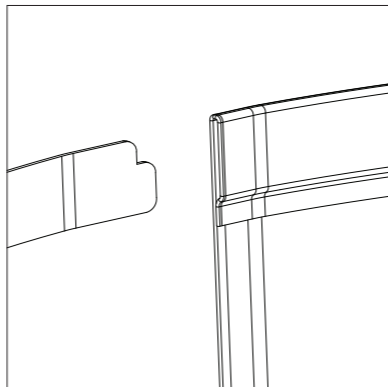
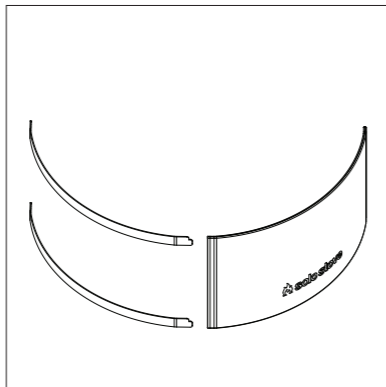
### Step 7

Repeat installation for the remaining shelf sections.



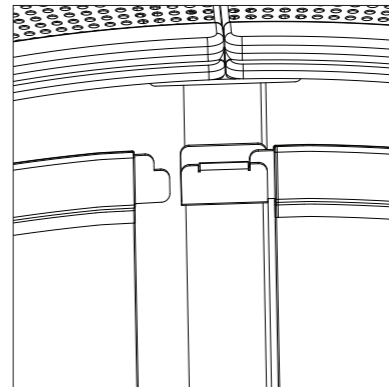
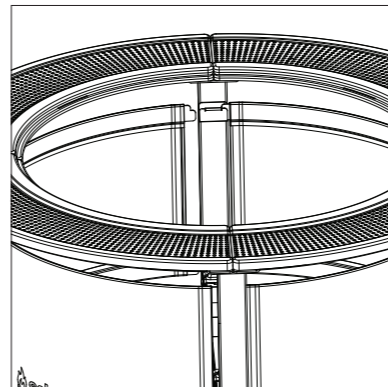
### Step 8

Insert fabric stays through top and bottom fabric loops as shown. Note the correct orientation shown below.



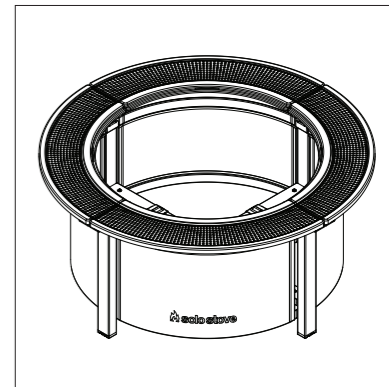
### Step 9

Insert fabric stays into brackets on inside of each leg. Some gentle flexing may be required.



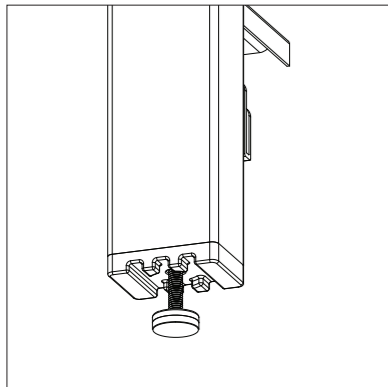
### Step 10

Repeat installation for the remaining 3 panels.



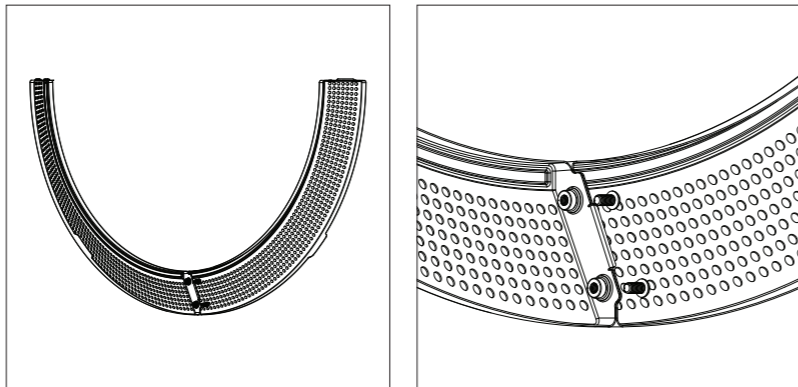
### Step 11

Move Surround to the location where it is intended to be used and adjust the feet until Surround is level and stable.



### Step 12

Connect inner bezel together with (2) M5x16mm screws and washers as shown.



### Step 13

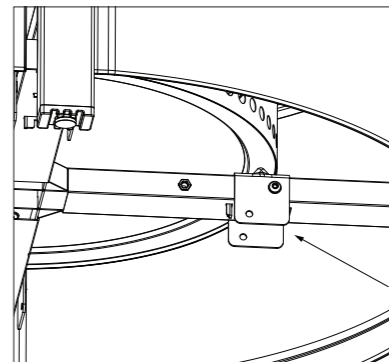
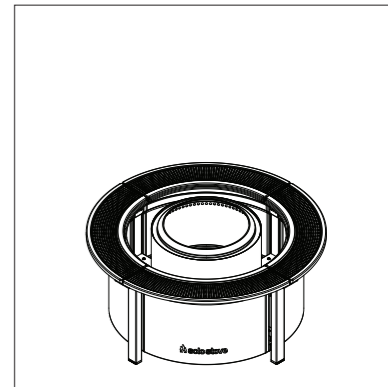
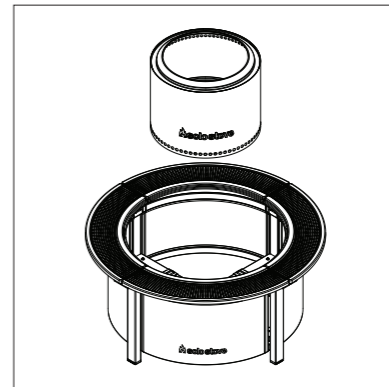
Repeat Installation for remaining bezel sections.



### Step 14

Install fire pit into Surround. 2 persons are suggested for this step. Make sure fire pit is centered and resting on support brackets (as shown below). Solo Stove Handle is suggested for ease of installation.

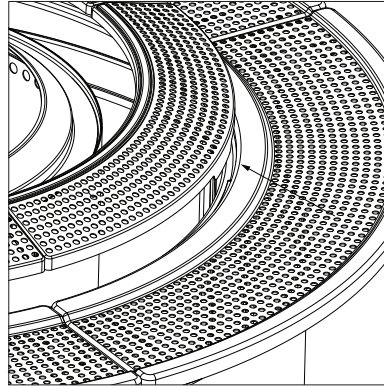
*NOTE: Care should be taken to avoid setting the fire pit onto the Surround shelves or dragging the fire pit across the Surround surface during installation. Temporarily place cardboard onto shelves for protection if needed.*



*Note location of fire pit support bracket when installed correctly.*

## Step 15

Place inner bezel onto surround as shown. Align the inner bezel notches into the slots on the shelves.



## WARRANTY

We warranty each and every Solo Stove product to be free of manufacturing defects, and we will replace with a new product, at our option, any genuine Solo Stove product sold by an authorized retailer that is deemed defective. Solo Stove does not warranty its products against normal wear or misuse. If your Solo Stove product was damaged due to misuse, our customer service team can analyze the damage and may be able to suggest options for the customer to remedy. If your Solo Stove product is unable to be repaired after misuse, we will extend a one-time courtesy offer, allowing you the option to purchase a new Solo Stove product for 50% off of our MSRP price on a new identical Solo Stove product listed on the website, excluding web specials. Warranty claims are not applicable for countries outside the U.S. and Canada. All international orders are final.

