

**⚠ Must read before use. Failure to do so can result in serious injury or death.**

Vor Gebrauch unbedingt lesen. Andernfalls sind schwere Verletzungen oder Todesfälle möglich. **HIER SCANNEN.**

À lire absolument avant toute utilisation. Le non-respect de cette consigne peut entraîner des blessures graves, voire mortelles. **SCANNER ICI.**



**SCAN HERE**

Leer antes de usar. El no hacerlo puede resultar en lesiones graves o muerte. **ESCANEE AQUÍ.**

Lezen voor gebruik. Het nalaten hiervan kan leiden tot serieuze verwondingen of de dood. **SCAN HIER.**

Da leggere prima dell'uso. In caso contrario, possono verificarsi lesioni gravi o morte. **SCANSIONA QUI.**

**Need some more tips & tricks on all things pizza,**

or just want to share your pizza creations? Join our official Pi Facebook group. Can't wait to be a part of your pizza night!



**SCAN HERE TO JOIN!**



*12 Pizza Oven Stand Instruction Manual*

# IMPORTANT SAFETY WARNINGS

**KEEP THESE INSTRUCTIONS FOR FUTURE USE. DO NOT DISPOSE OF THIS MANUAL.** Read instructions in full prior to assembling and using the Pizza Oven Stand.

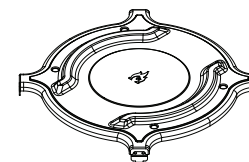
**⚠WARNING:** Failure to comply with all the manual provisions and usage guidelines could result in property damage, serious bodily injury, death, or fire. Solo Stove does not accept any responsibility, legal or otherwise, for the incidental or consequential damage to property or persons resulting from the misuse of this product. Solo Stove shall in no event be liable for any special, indirect, consequential, or other damages of any nature whatsoever in excess of the original purchase price.

## USAGE AND SAFETY GUIDELINES

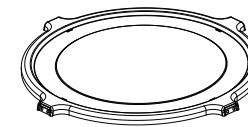
1. FOR OUTDOOR RESIDENTIAL USE ONLY
2. Use only with Solo Stove Pi 12 Pizza Oven.
3. For use on level, stable surfaces only. Do NOT use the stand on inclined surfaces, uneven ground, loose material, wet surfaces, vehicles, boats, stairs, or surfaces not designed to handle the weight of the stand and Pi 12 pizza oven. Exercise caution when rolling over uneven transitions such as expansion joints, changes in material surface, or outdoor rugs as these may catch on the wheels and cause the stand to tip.
4. All stand wheels should remain locked unless moving the stand.

5. Do NOT modify or alter the stand or use in a manner other than specified.
6. The stand should be moved by using the hand locations on either shelf. Do not attempt to move the stand using other locations on the stand or by pushing or pulling on the pizza oven.
7. Shelves are meant to hold approximately 5kg (10lbs). Do not place heavier items or drop items onto shelves.
8. Do NOT move the stand while pizza oven is in use or still warm. The stand may also become hot during use of the pizza oven. Allow to cool and remove all items from shelves prior to moving.
9. The powder coated finish is very durable, but it can be scratched. Do not drag items across the shelves to avoid damaging the surface.
10. Do not place hot items from the oven directly onto the shelves as damage could result. Use heat protection.
11. For use with 20lb propane capacity barbecue style tanks with QCC-1 connections.
12. Use only propane tanks that conform to US Department of Transportation (DOT) or the Standard for Cylinders, Spheres and Tubes for the Transportation of Dangerous Goods, CAN/CSA B339
13. Ensure that the propane tank is fully seated and properly secured with the retaining bolt prior to usage. Propane tank should be rotated so that the retaining bolt aligns with open hole in base of tank. Retaining bolt should be secured through this hole so tank cannot be removed.

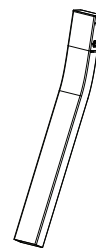
**UNPACKING** Remove all items from box, carefully unwrap, and inspect for damage. During assembly, do not place items on abrasive or rough surfaces or damage to part finish may occur. If any parts are damaged or missing STOP and contact Solo Stove Customer Service at (817) 900-2664



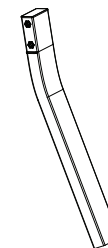
Top Shelf



Bottom Shelf



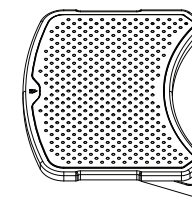
Left Upper Leg (Qty. 2)



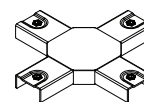
Right Upper Leg (Qty. 2)



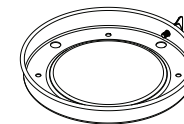
Lower Leg (Qty. 4)



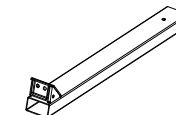
Side Shelf (Qty. 2)



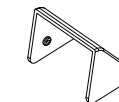
Crossmember Bracket



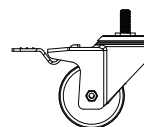
Propane Tank Base



Crossmember (Qty. 4)



Bracket Cover (Qty. 4)



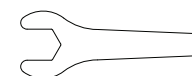
Caster (Qty. 4)



M6x20 #2  
Phillips Screw (Qty. 44)



Washer (Qty. 44)



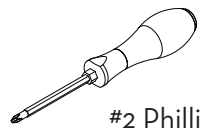
Caster Wrench

# ASSEMBLY

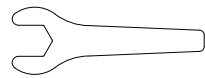
Assemble on flat, level surface

Note - We recommend not fully tightening all screws until stand is fully assembled. Otherwise some loosening may be needed during assembly to allow for component alignment. Start and tighten all fasteners by hand or with hand tools for best results. Using power tools may cross thread or strip fasteners and is not recommended.

## Tools required



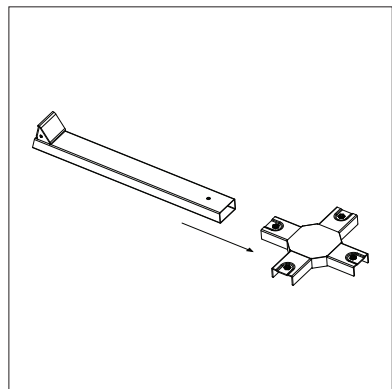
#2 Phillips  
Screwdriver



Caster Wrench  
*(included)*

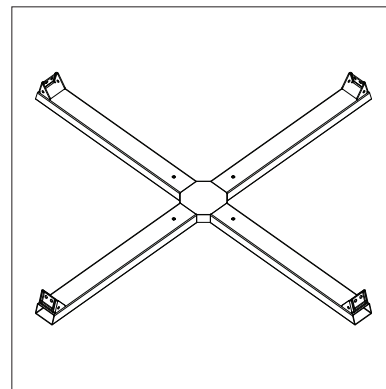
## Step 1

Insert Crossmember into Crossmember Bracket as shown.



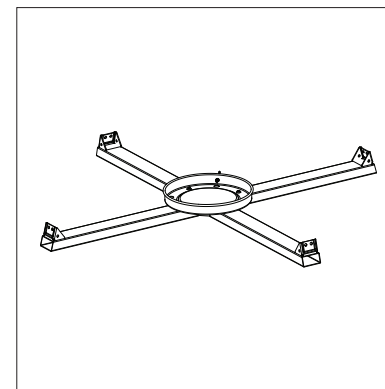
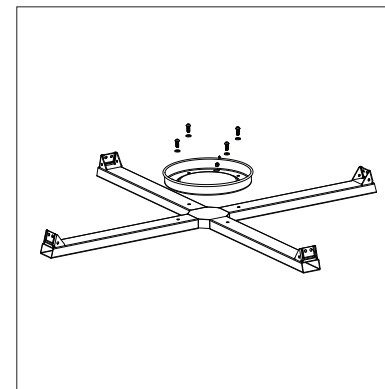
## Step 2

Repeat Step 1 with remaining Crossmembers.



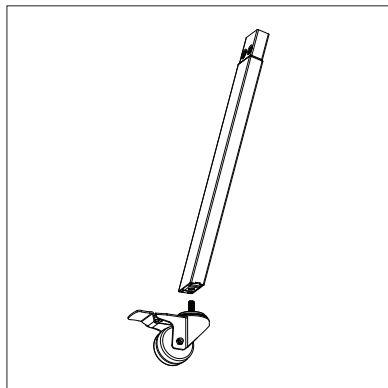
## Step 3

Align Propane Base as shown. Fasten with (4) M6x20mm screws and washers as shown.



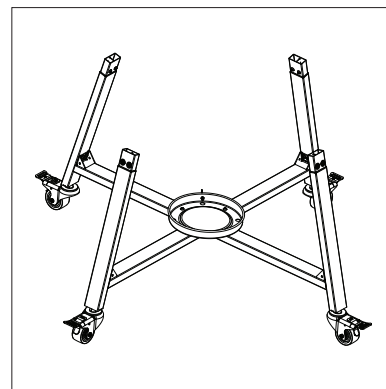
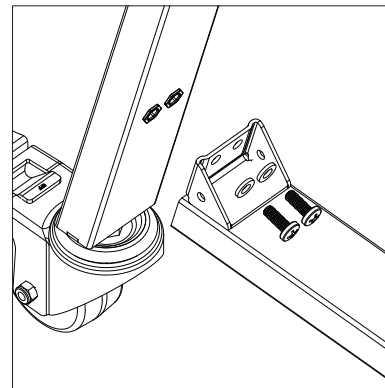
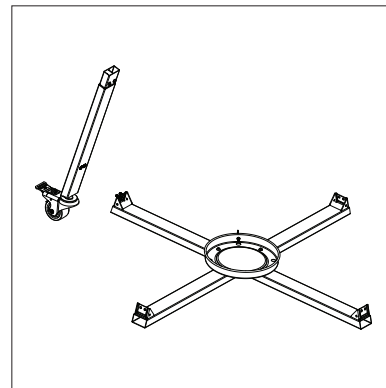
#### Step 4

Fasten casters to lower legs as shown with included caster wrench.



#### Step 5

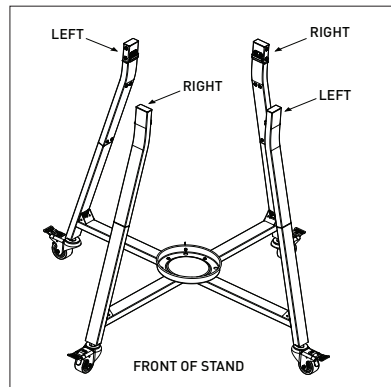
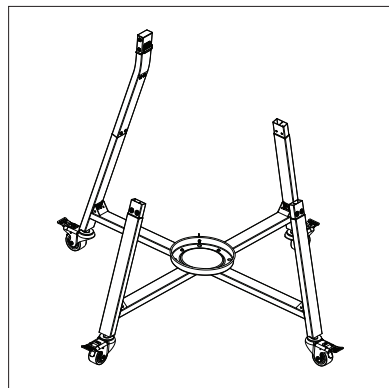
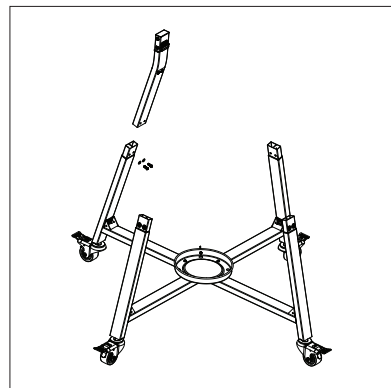
Fasten Legs to Crossmembers with (2) M6x20mm screws and washers per leg as shown.



## Step 6

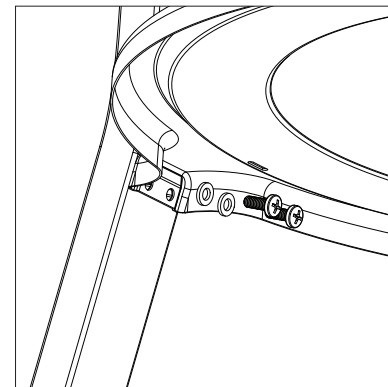
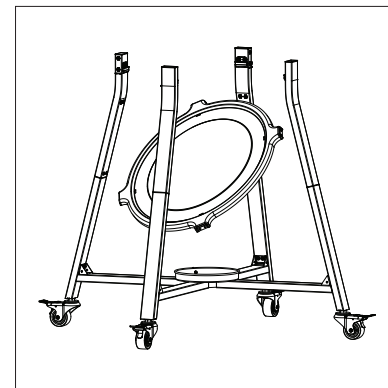
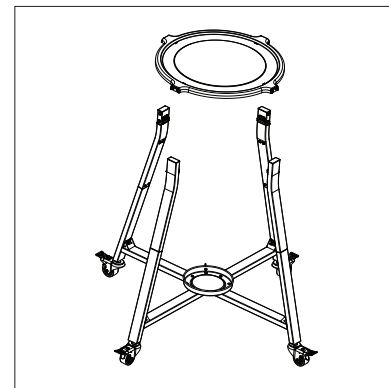
Install Upper Legs onto Lower Legs with (2) M6x20mm screws and washers per leg.

NOTE: Orient legs so that the shelf bolt holes on the sides of the upper legs face each other as shown. (This will be important later when mounting the side shelves.)



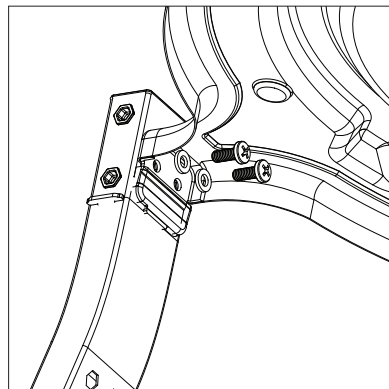
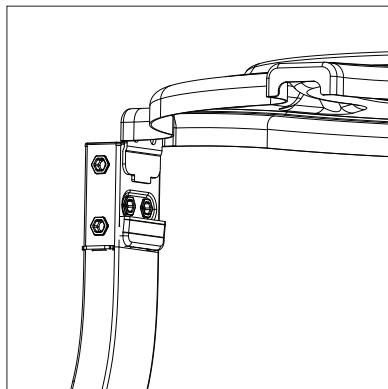
## Step 7

Install the Bottom Shelf to the Legs as shown. Place shelf in the center of the legs at an angle, and then lower into place as shown. Fasten with (2) M6x20mm screws and washers on each leg.

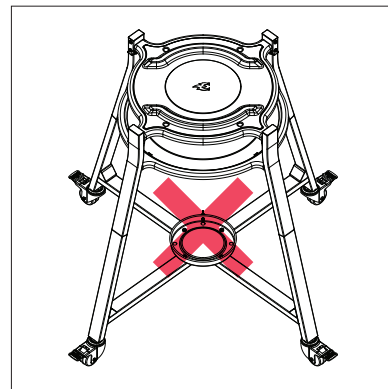
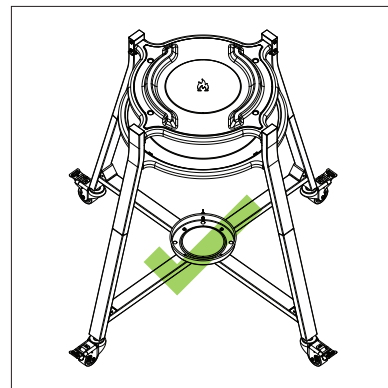


## Step 8

Lower Top shelf onto stand and secure with (8) M6x20mm screws and washers. (Align shelf tab into bracket as shown.)

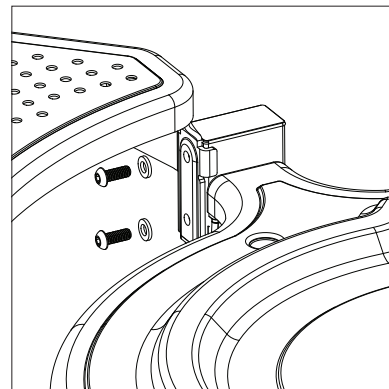


NOTE TOP SHELF ORIENTATION



## Step 9

Install Side Shelves as shown with (4) M6x20mm screws and washers.

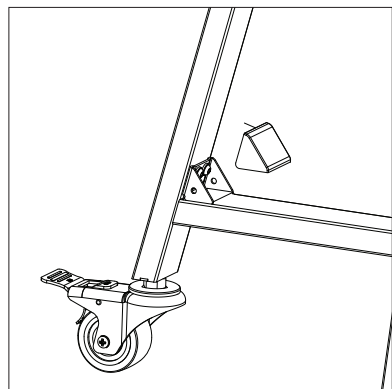


## Step 10

Fully tighten all screws.

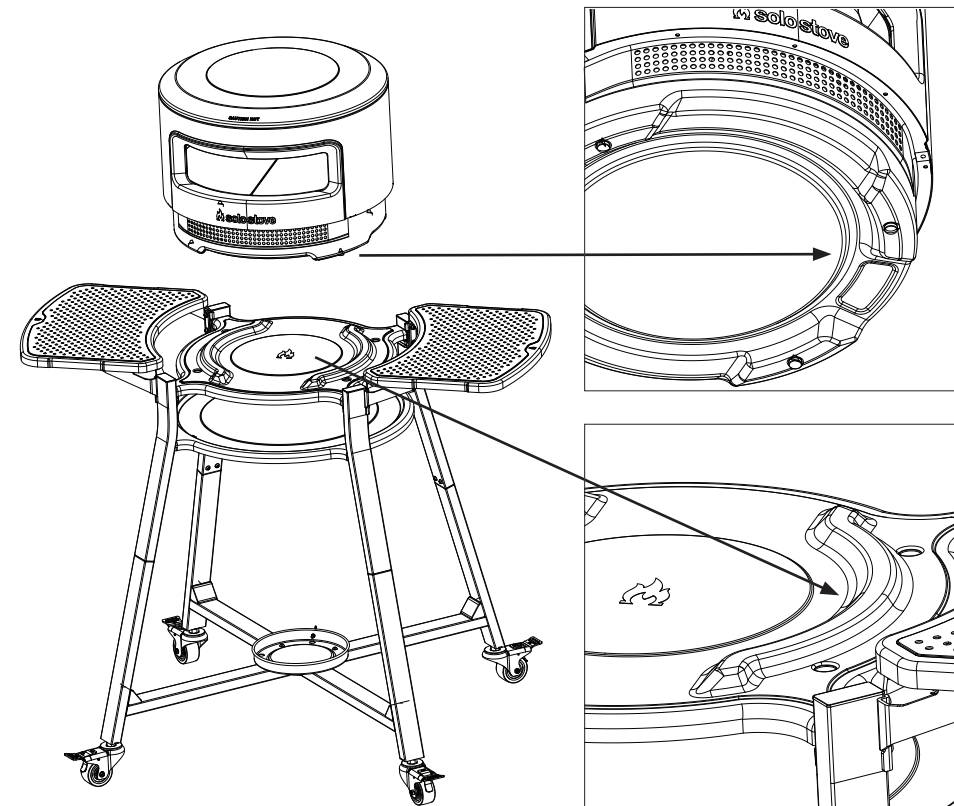
## Step 11

Snap on Bracket Covers as shown.



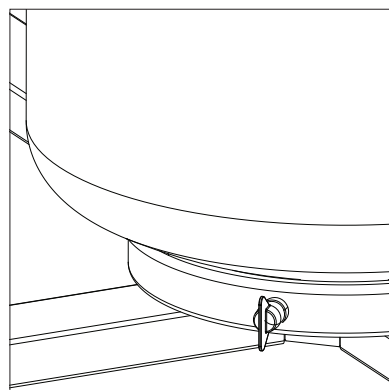
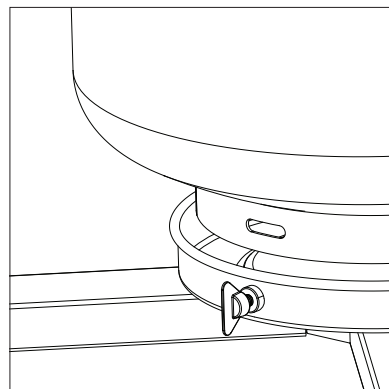
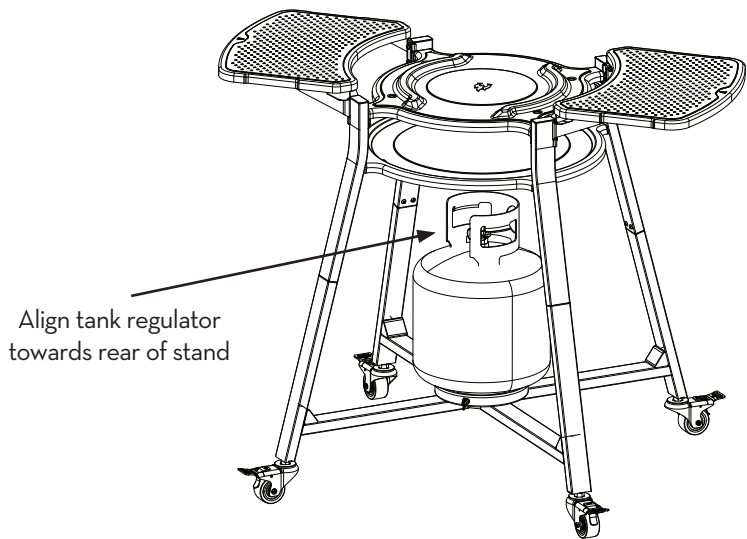
## Pizza Oven Install

Lower Pizza Oven onto stand as shown. Note: The top shelf is equipped with a raised contour that helps center the Pizza Oven. Pizza Oven feet should rest into the 4 debossed areas in the top shelf.



## Installing Propane Tank

Place propane tank onto propane tank base as shown. Align the hole/slot on the bottom of the propane tank's bottom base ring with the tank base bolt. Thread bolt through an available tank base hole to secure tank in place. Hand tighten only.



## WARRANTY

We warranty each and every Solo Stove product to be free of manufacturing defects, and we will replace with a new product, at our option, any genuine Solo Stove product sold by an authorized retailer that is deemed defective. Solo Stove does not warranty its products against normal wear or misuse. If your Solo Stove product was damaged due to misuse, our customer service team can analyze the damage and may be able to suggest options for the customer to remedy. If your Solo Stove product is unable to be repaired after misuse, we will extend a one-time courtesy offer, allowing you the option to purchase a new Solo Stove product for 50% off of our MSRP price on a new identical Solo Stove product listed on the website, excluding web specials. Warranty claims are not applicable for countries outside the U.S. and Canada. All international orders are final.







 solo stove®