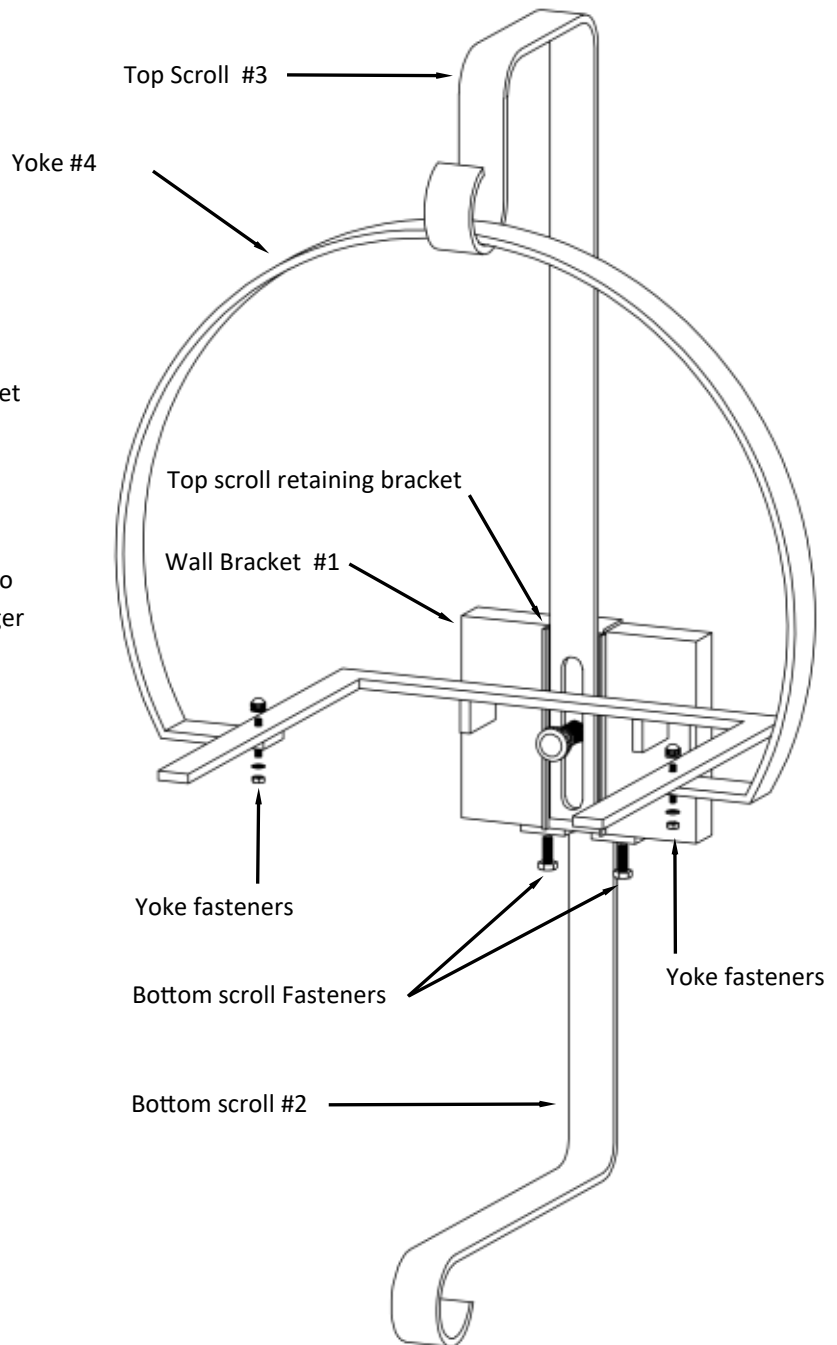


C^{the}Coppersmith

Wall yoke assembly instructions

Refer to the Lantern installation instructions for installation of this assembly.

1. Attach the Bottom Scroll onto the Wall Bracket #1 using the supplied fasteners.
2. Install the lantern with the Top Scroll #3 and Top Scroll retaining bracket.
3. Remove the fasteners attaching the lantern to the Wall Bracket and using the supplied longer fasteners, install the Yoke #4 as shown.



For additional technical assistance:

251.621.3435

TOLL FREE: 866.249.1918