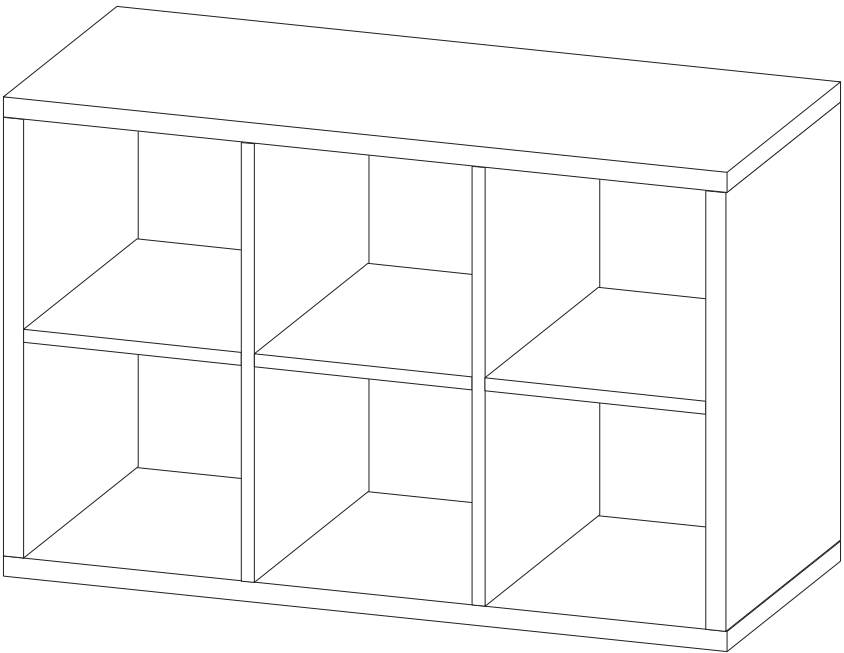




**CUBE STORAGE ORGANIZER
ASSEMBLY INSTRUCTIONS**

Item No.: MIL-CUBE



READ BEFORE BEGINNING

Please read all instructions carefully before beginning.

Check quantities and familiarize yourself with all parts.

Follow all safety precautions. Milliard™ assumes no liability or responsibility for accidents or injuries to persons or properties associated with the improper use of this product.

WARNING

Contains small parts which may be a choking hazard for small children.

Children should always be under adult supervision or serious injury could occur.

Always unload unit prior to moving the unit. The weight of personal belongings can cause the unit to become unstable and either tip or collapse.

Do not overload unit. If any shelf, top, or bottom of unit bows or bends, it is overloaded. The shelf, top, or bottom could collapse and cause serious bodily injury and/or damage to personal belongings.

Do not climb or step on the unit. The unit may become unstable and either tip or collapse. Serious bodily injury and/or damage to personal belongings may occur.

Do not mount or attach anything to the sides, rear or front of the unit as this can create a force which can cause the unit to tip. Serious bodily injury and/or damage to personal belongings may occur.

Do not hang this unit on the wall. The product structure is not designed for wall hanging. Serious bodily injury, damage to personal belongings, and/or damage to the wall may occur.

All units must be secured individually to wall stud using L-Bracket and Wall Screw (#10 x 1-1/2") provided. If wall stud is not accessible, consult your local hardware store for appropriate mounting hardware. Failure to do so may create an unsafe tipping hazard that could lead to serious bodily injury and/or damage to personal belongings.

Follow proper safety procedures when using power tools and ladders.

We recommend you protect your work surface during assembly to prevent scratching or damage to table tops, wood floors, etc.

Item No.: MIL-CUBE-A

Made in Malaysia

Manufactured by:

Milliard Brands, Lakewood, NJ 08701

Questions? Comments?

Email info@milliardbrands.com

**DID YOUR CUBE STORAGE
ORGANIZER ARRIVE WITH ANY
DAMAGED OR MISSING PARTS?**

**We're here
to help!**

*Our dedicated customer care team is ready to help
you with any questions or concerns you may have.*

*For immediate attention give us a call. You can leave
us a voice message or email; we guarantee you will
hear back from us within one business day.*

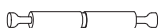
Email info@milliardbrands.com

Call 1.866.686.4891

milliard

CUBE STORAGE ORGANIZER PARTS

Turn all these parts and gizmos into a masterpiece in **12 simple steps**.



A. DOUBLE CAM HEADSCREWS
x4



B. HEADSCREWS
x20



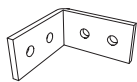
C. CAM SCREW
x28



D. SHORT WOODEN DOWELS
x20



E. LONG WOODEN DOWELS
x4



F. L BRACKET
x1



G. SHORT SCREW
x2



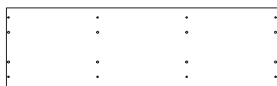
H. LONG SCREW
x2



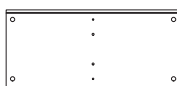
I. WALL PLUG
x2



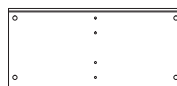
J. HEX SCREW
x1



1. TOP/BOTTOM PANEL
x2



2. SIDE PANEL
x2



3. CENTER PANEL
x2



4. SHELF PANEL (L)



5. SHELF PANEL (RL)



6. SHELF PANEL (R)

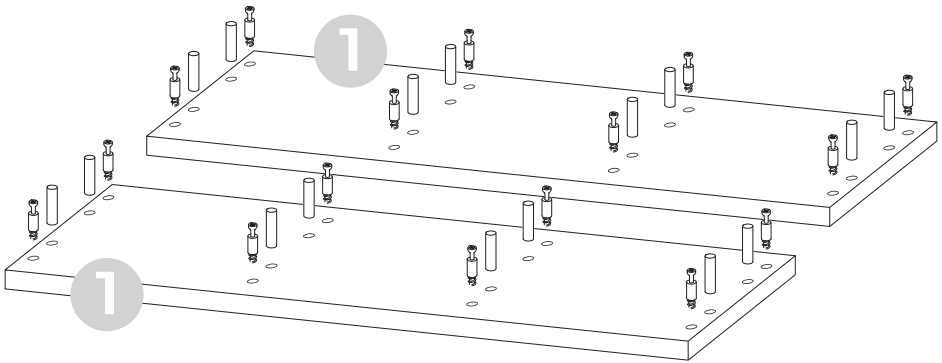
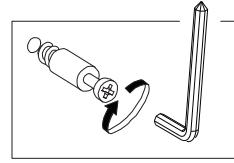


7. BACK PANEL

STEP 1

Secure **8 headscrews (B)** and **8 short wooden dowels (D)** through the holes on each of the **bottom/top panels (PART 1)**.

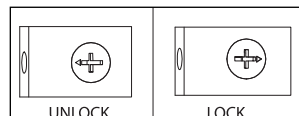
Use the included **hex key** or standard phillips screwdriver to tighten.



STEP 2

Secure **4 headscrews (B)** and **4 short wooden dowels (D)** to the middle of both **side panels (PART 2)**.

Then, place a **cam screw (C)** into each corner hole on both panels.

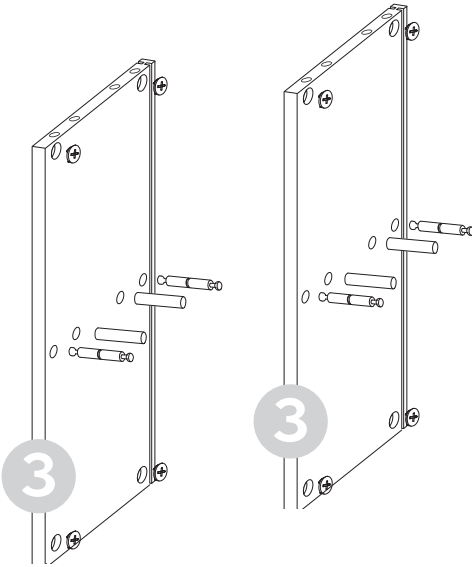


▲ Ensure that the cam goes all the way in, and that the arrow is pointing towards the hole at the edge of the panel as this will be necessary for future steps.

STEP 3

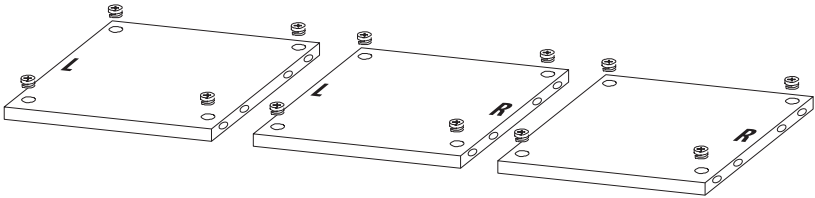
On each *center panel (PART 3)*, secure **2 long wooden dowels (E)** and **2 double cam headscrews (A)** through the appropriate holes.

Then, place a **cam screw (C)** into each corner hole on both center panels, ensuring the cam is secure and the arrows are pointing outwards.



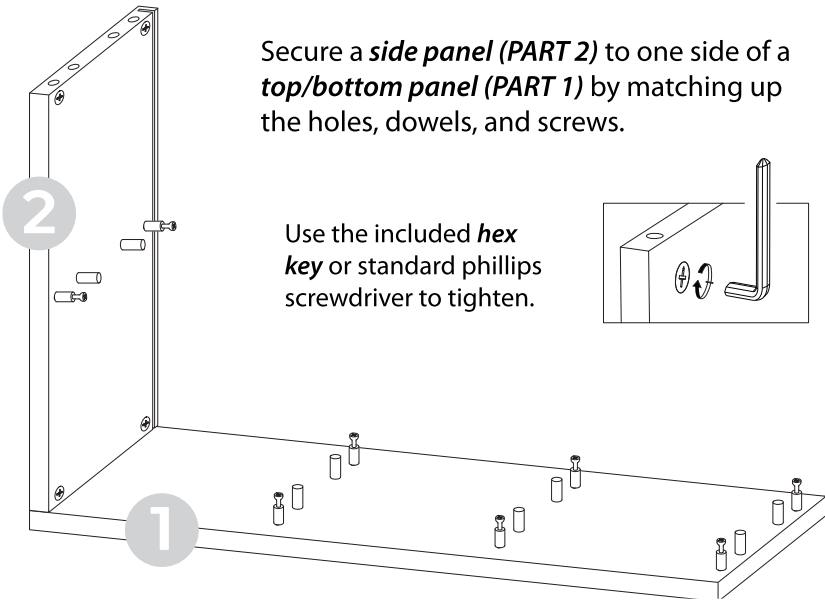
STEP 4

Secure **4 cam screws (C)** into each of the **3 shelf panels (PART 4, 5, 6)** ensuring that the cams are secure and the arrows are pointing outwards.



STEP 5

Secure a *side panel (PART 2)* to one side of a *top/bottom panel (PART 1)* by matching up the holes, dowels, and screws.

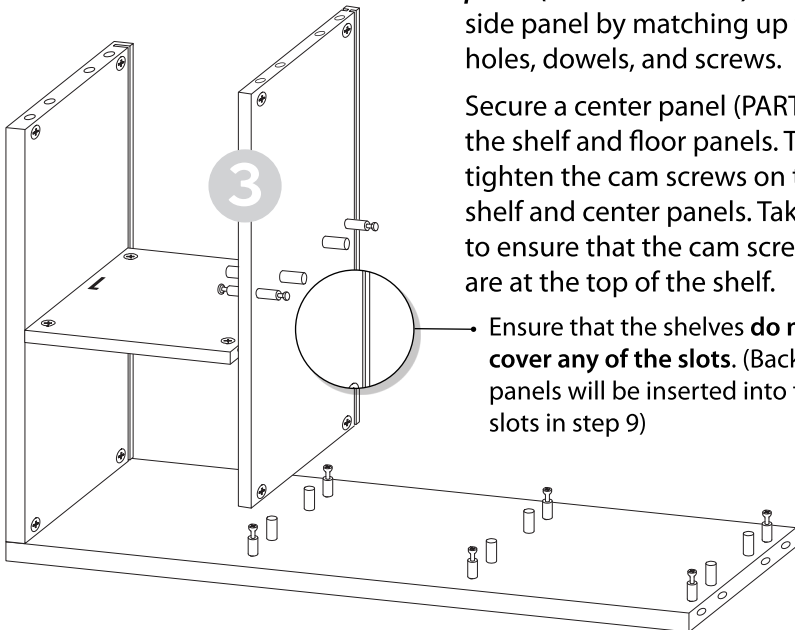


Use the included *hex key* or standard phillips screwdriver to tighten.

STEP 6

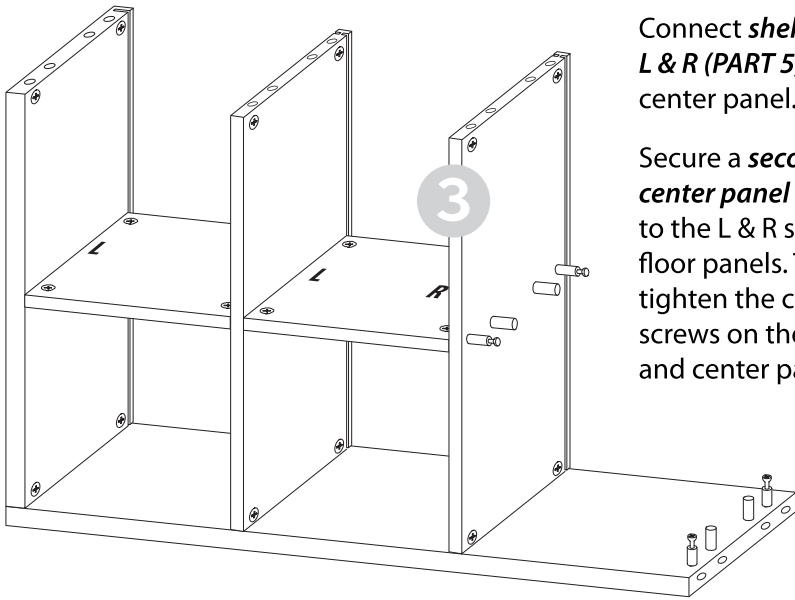
Connect the appropriate *shelf panel (shelf L or shelf R)* to the side panel by matching up the holes, dowels, and screws.

Secure a center panel (PART 3) to the shelf and floor panels. Then, tighten the cam screws on the shelf and center panels. Take care to ensure that the cam screws are at the top of the shelf.



Ensure that the shelves **do not cover any of the slots**. (Back panels will be inserted into the slots in step 9)

STEP 7

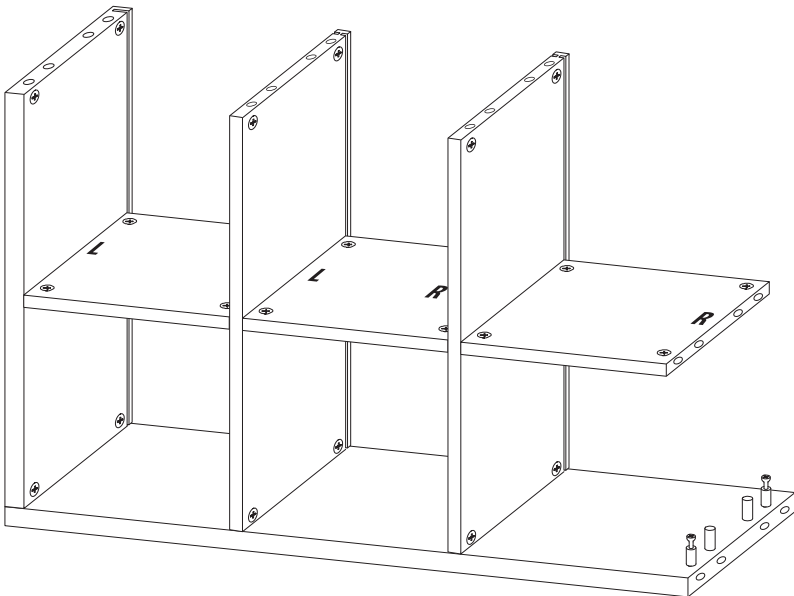


Connect *shelf panel L & R (PART 5)* to the center panel.

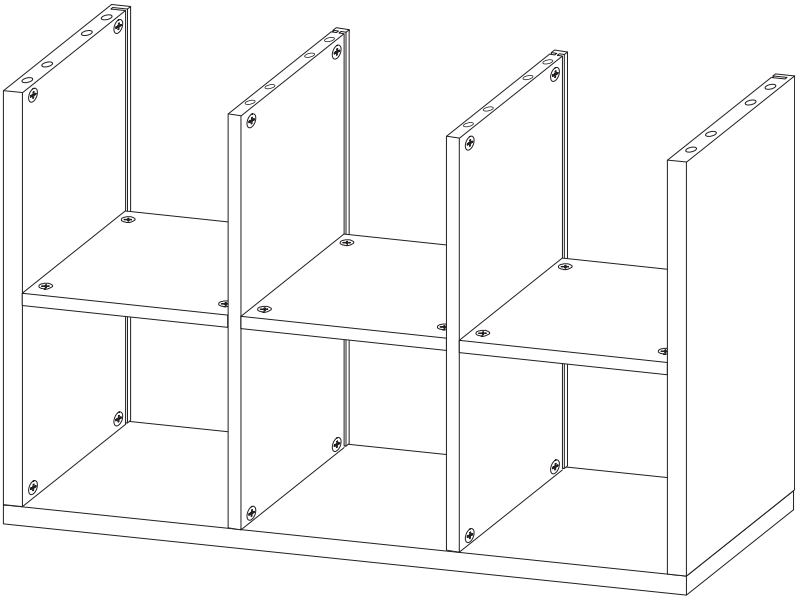
Secure a *second center panel (PART 3)* to the L & R shelf and floor panels. Then, tighten the cam screws on the shelf and center panels.

STEP 8

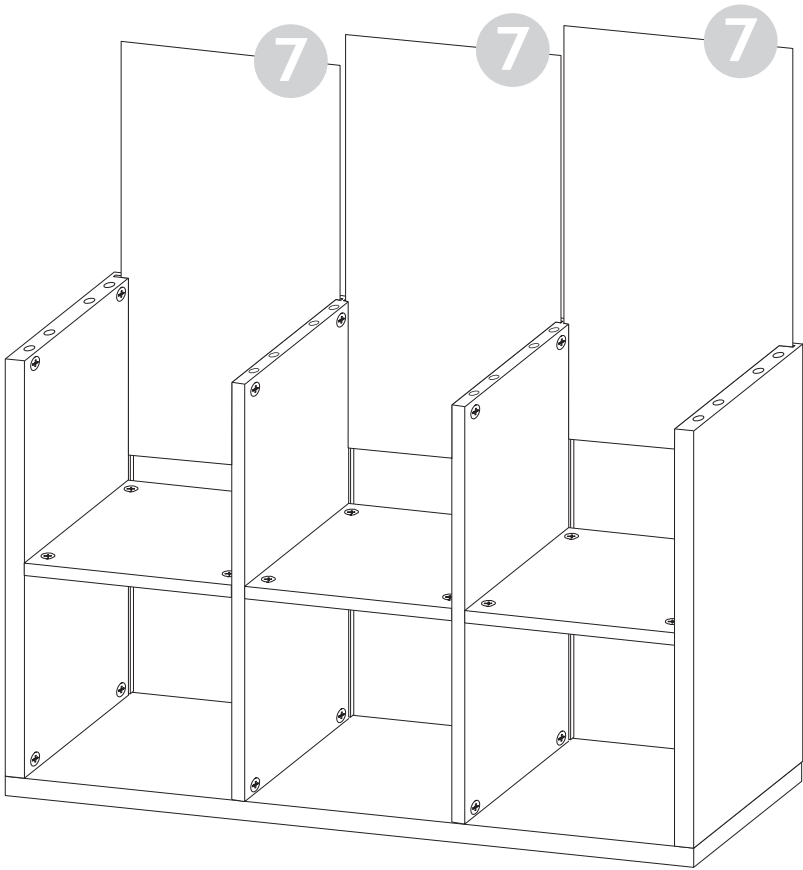
Connect the final *shelf panel (shelf L or shelf R)* to the center panel.



Secure the second side panel (PART 2) to the floor panel and third shelf. Then, tighten the cams on the shelf and side panels.



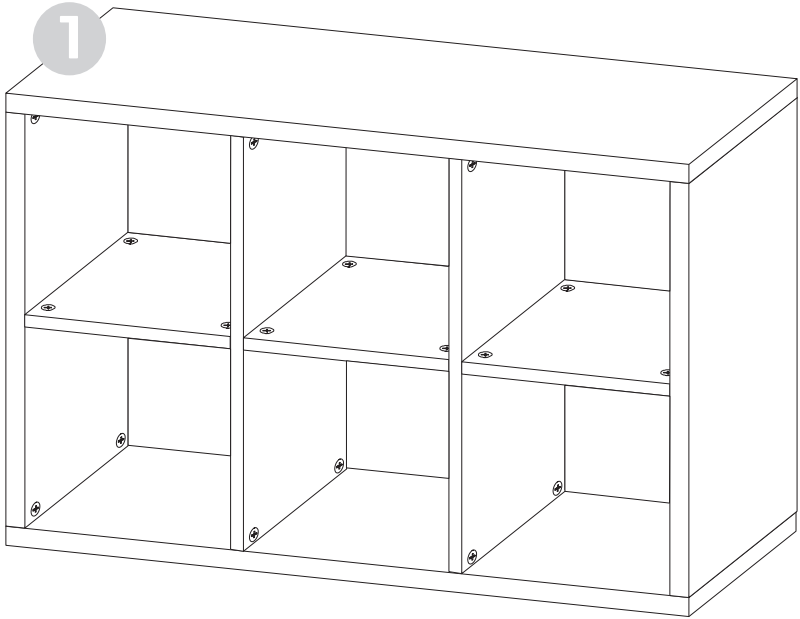
Slide the **3 back panels (PART 7)** into the slots on the assembled unit.



Connect the final **top/bottom panel (PART 1)** to the completed assembly by matching the holes, dowels and screws. Then tighten all cams on the side and center panels.

To hide exposed cams, use the provided **stickers** to cover them.

You can alternatively flip the unit upside down so the cams on the shelf panels are not visible.



STEP 12

To secure the Cube Storage Organizer to the wall, secure one side of the **L Bracket** to the top of the Cube Storage Organizer using **2 small screws (PART G)**.

Then using the **long screws (PART H)** and the **wall plugs (PART I)** drill the other side of the L bracket to the wall.

Congratulations! You have finished assembling your Cube Storage Organizer!

