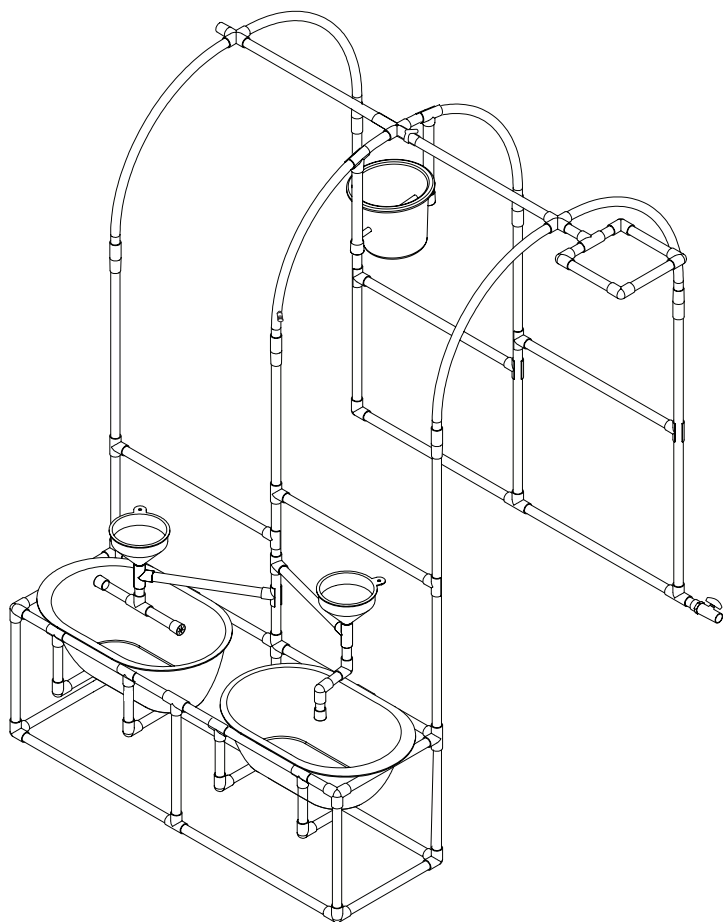




# Water Park

MANUAL



**PRECAUTION:** ALWAYS READ AND FOLLOW INSTRUCTIONS BEFORE USE. ALWAYS USE THE UNIT ACCORDING TO THE MANUFACTURERS GUIDELINES. ONLY USE THE UNIT IN A MANNER AS INTENDED BY MANUFACTURER.

# Welcome to the family!

THANK YOU FOR PURCHASING OUR WIRE WATER PARK  
AND TRUSTING MIL LIARD WITH PROVIDING  
YOURSELF AND YOUR LOVED ONES WITH THE UTMOST  
COMFORT AND SUPPORT IN YOUR HOME.  
AS A FAMILY BRAND THAT STARTED BACK IN 2009 WE'VE  
DEDICATED OURSELVES TO CAREFULLY CRAFTING LINES  
OF PRODUCTS TO ELEVATE YOUR HOME.  
QUALITY AND FAIR PRICING IS OUR PROMISE TO YOU.  
IF IT'S NOT GOOD ENOUGH FOR OUR HOME,  
IT'S NOT GOOD ENOUGH FOR YOURS.

**⚠️WARNING:** DO NOT CLIMB ON OR HANG FROM THE STRUCTURE. THIS PRODUCT IS TO BE ASSEMBLED BY AN ADULT

**CAUTION:** NOT FOR CHILDREN UNDER 3 YEARS. NEVER LEAVE CHILDREN UNATTENDED WHILE USING THE WATER PARK.

INSPECT THE BUCKET BEFORE EACH USE TO ENSURE THAT THE RUBBER COATING IS NOT DAMAGED.

DO NOT USE IF THE RUBBER COATING IS DAMAGED OR DISCONNECTED.

DID YOUR UNIT COME WITH ANY DAMAGED OR MISSING PARTS?

# We're here to help.

OUR TEAM OF DEDICATED CUSTOMER CARE PROFESSIONALS ARE READY TO HELP YOU WITH ANY QUESTIONS OR CONCERNS YOU MAY HAVE.

FOR IMMEDIATE ATTENTION, CALL MONDAY-THURSDAY 9:00AM-5:00PM & FRIDAY 9:00AM-1:00PM.

OR YOU CAN LEAVE US A VOICE MESSAGE OR EMAIL, AND WE GUARANTEE YOU WILL HEAR BACK FROM US WITHIN ONE BUSINESS DAY.

PHONE: 866-686-4891

EMAIL: [INFO@MILLIARDBRANDS.COM](mailto:INFO@MILLIARDBRANDS.COM)

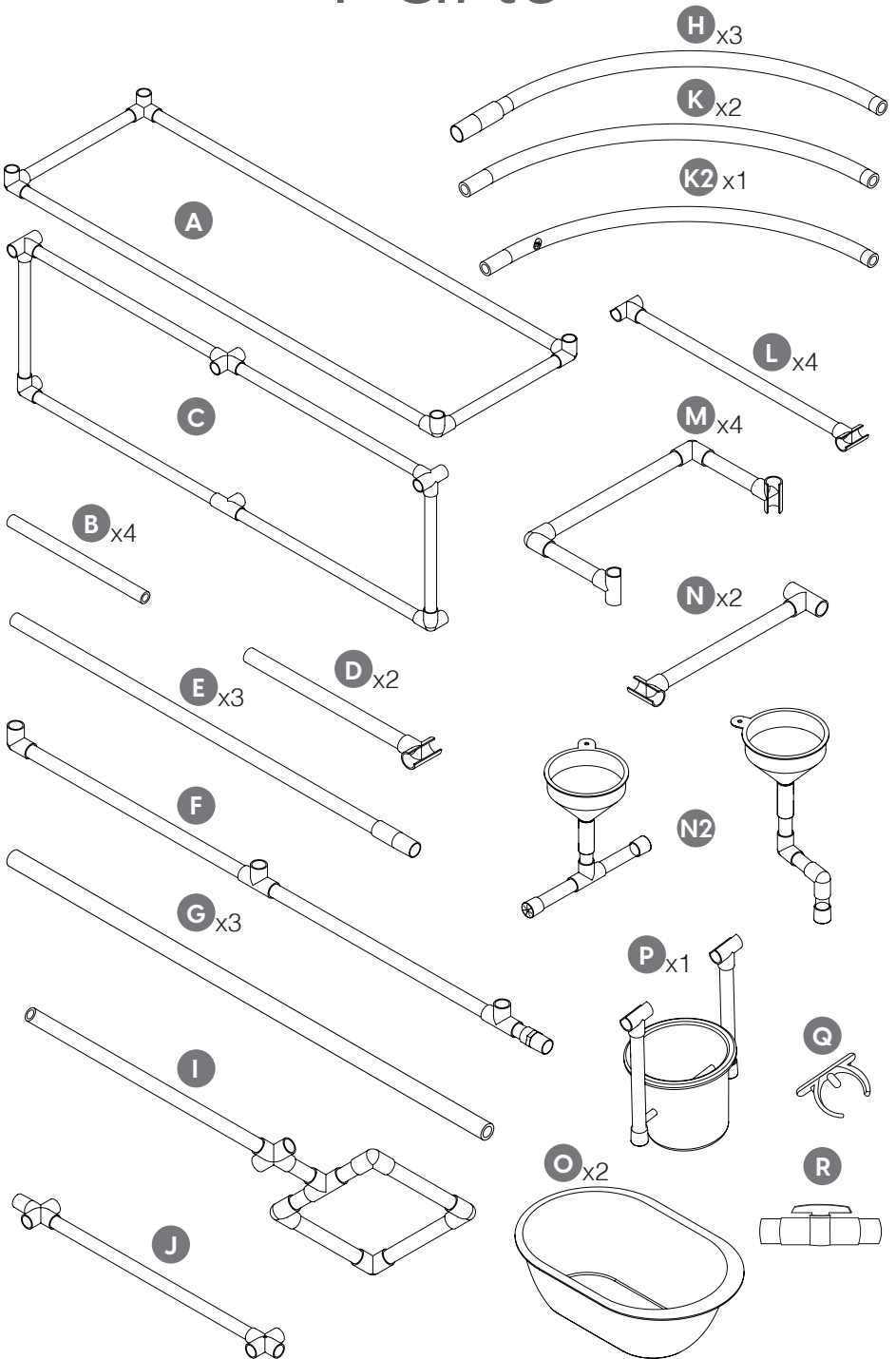


#### MAINTENANCE:

TO KEEP THE UNIT CLEAN, PERIODICALLY DUST AND WIPE IT WITH A DAMP CLOTH. FOR MORE EXTENSIVE CLEANING, USE A MILD CLEANSER AND A SOFT CLOTH.

DISCLAIMER: MILLIARD™ ASSUMES NO LIABILITY OR RESPONSIBILITY FOR ACCIDENTS OR INJURIES TO PERSONS OR PROPERTIES ASSOCIATED WITH THE IMPROPER USE OF THIS PRODUCT, NOR DOES MILLIARD CONDONE PROHIBITED OR UNLAWFUL USES. THIS PRODUCT MUST BE USED AS DIRECTED AND ALL SAFETY PRECAUTIONS MUST BE FOLLOWED AT ALL TIMES IN ACCORDANCE TO FEDERAL AND LOCAL LAWS OR REGULATIONS. BUYER ASSUMES ALL RISKS AND LIABILITY FROM MISUSE OF THIS PRODUCT AND MILLIARD SHALL NOT BE HELD LIABLE BEYOND THE INITIAL PURCHASE COST OF THE PRODUCT FOR ANY DAMAGES ARISING FROM ITS MISUSE.

# Parts

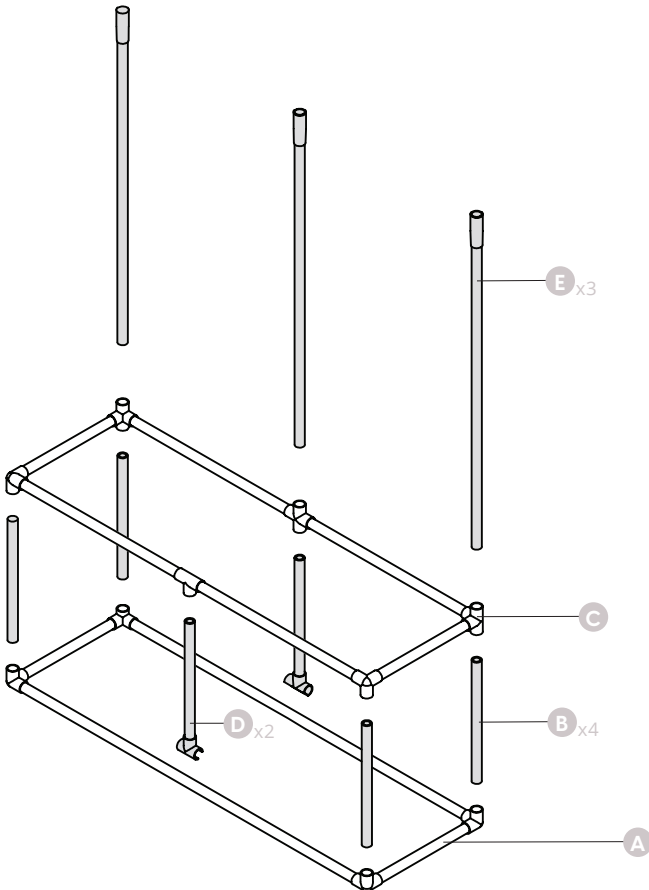


# Assembly Instructions

**IMPORTANT:** ASSEMBLE THIS PRODUCT IN ITS LOCATION OF USE. MOVING THE PRODUCT AFTER ASSEMBLY MAY CAUSE THE STRUCTURE TO FALL APART.

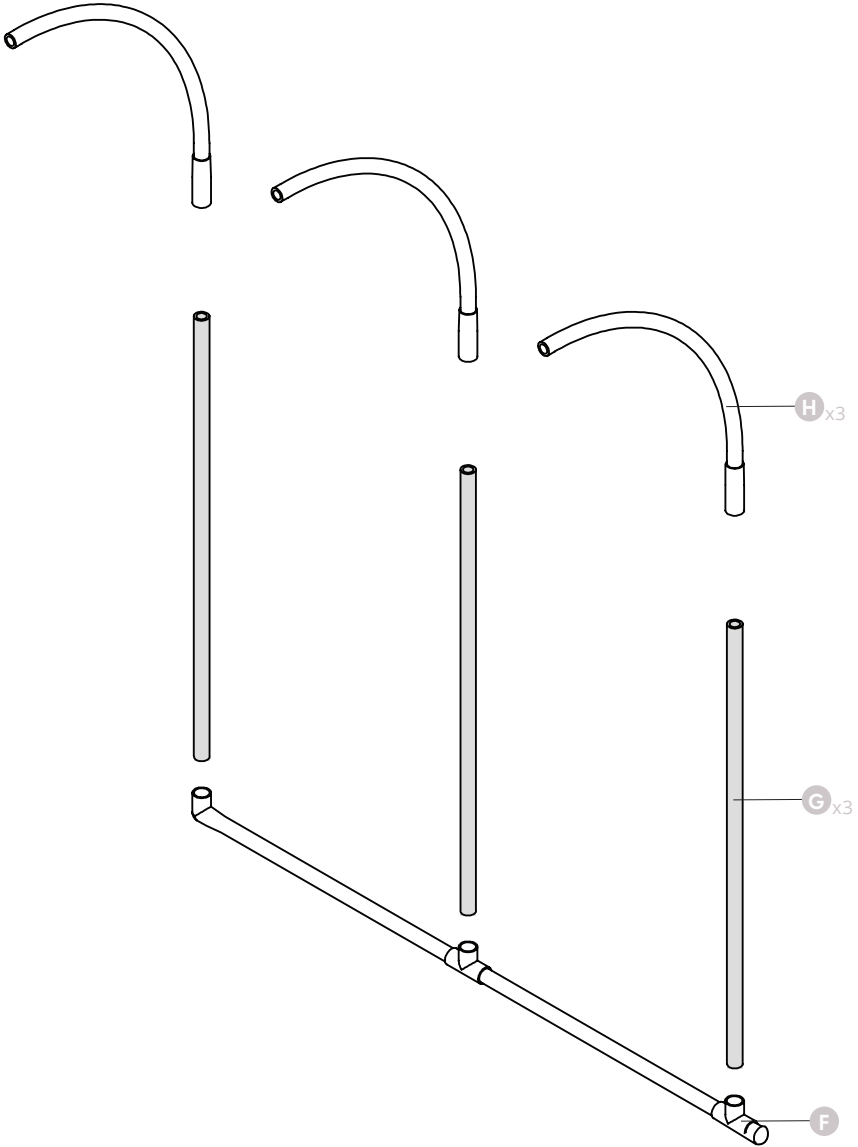
## STEP 1

- BEGINNING WITH THE BOTTOM, INSERT PART (B) INTO EACH CONECTOR IN PART (A).
- CONNECT PART (D) IN THE MIDDLE OF PART (A).
- PLACE PART (C) ON TOP. PUSH DOWN TO ENSURE THAT ALL PARTS ARE CONNECTED SECURELY.
- INSERT PART (E) INTO EACH OF THE OPEN CONNECTORS AT THE TOP OF THE STRUCTURE.



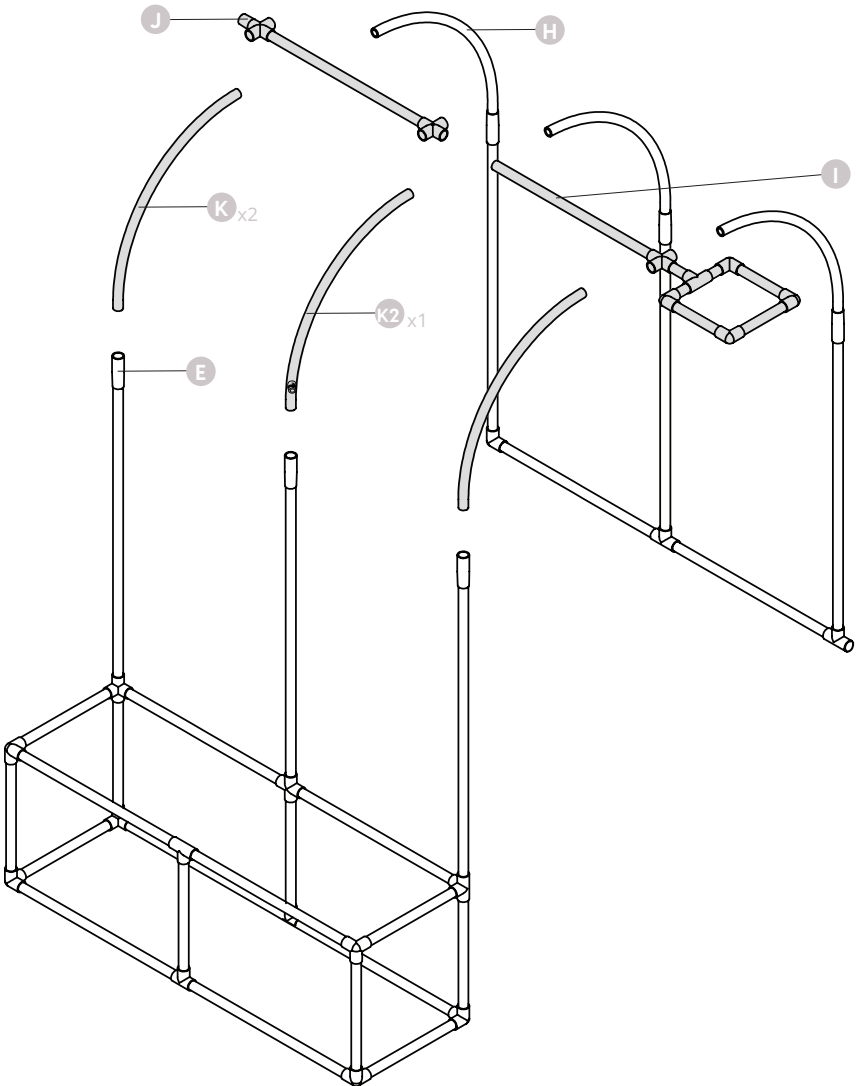
## STEP 2

- LAY PART (F) ON THE FLOOR, OPEN CONNECTORS FACING UPWARDS.
- INSERT PART (G) INTO EACH CONNECTOR.
- CONNECT PART (H) TO EACH OF THE POLES.



### STEP 3

- CONNECT PART (I) AND PART (J).
- INSERT PART (K) INTO THE SIDE TUBES OF PART (E) AT THE TOP OF THE FIRST ASSEMBLED STRUCTURE AND PART (K2) IN THE CENTER.
- JOIN THE 2 ASSEMBLED STRUCTURES BY CONNECTING THEM ALONG THE CENTER SUPPORT (PART (I) + PART (J) ).

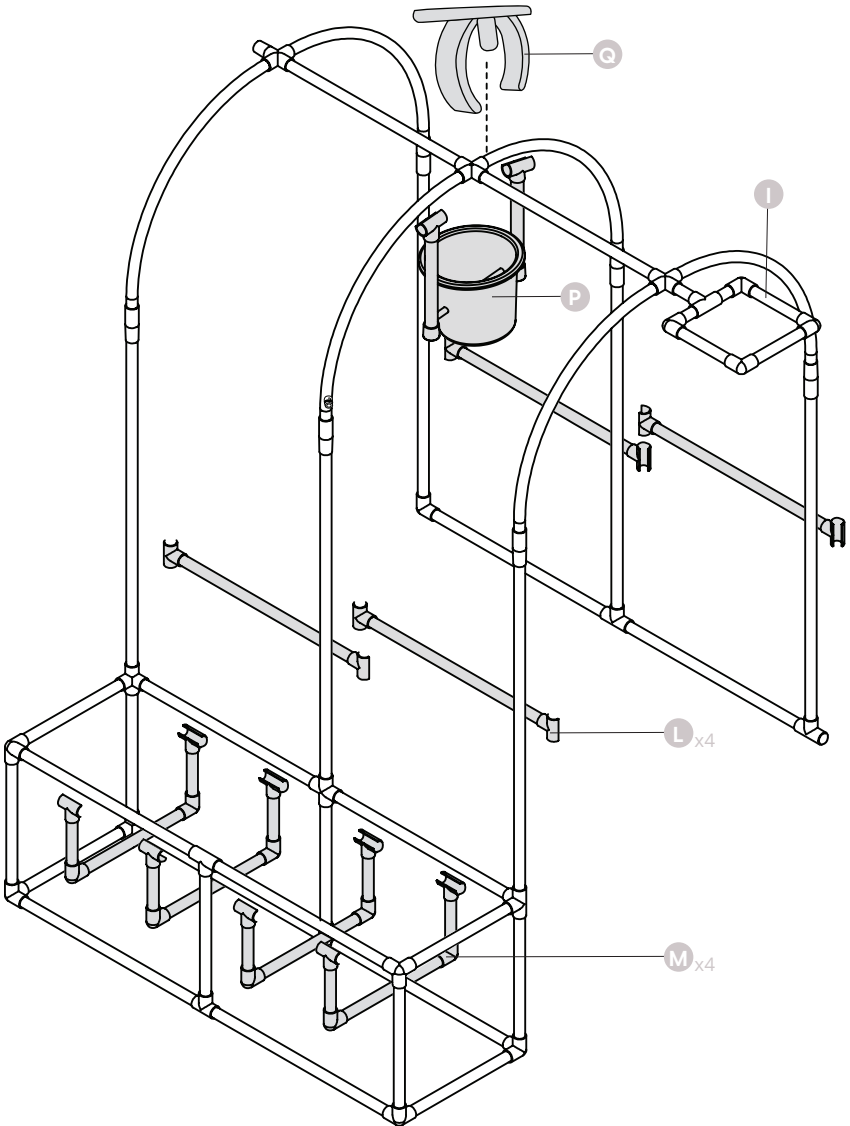


**NOTE: THE WATER HOLE ON PART (J) SHOULD FACE DOWNWARDS.**



## STEP 4

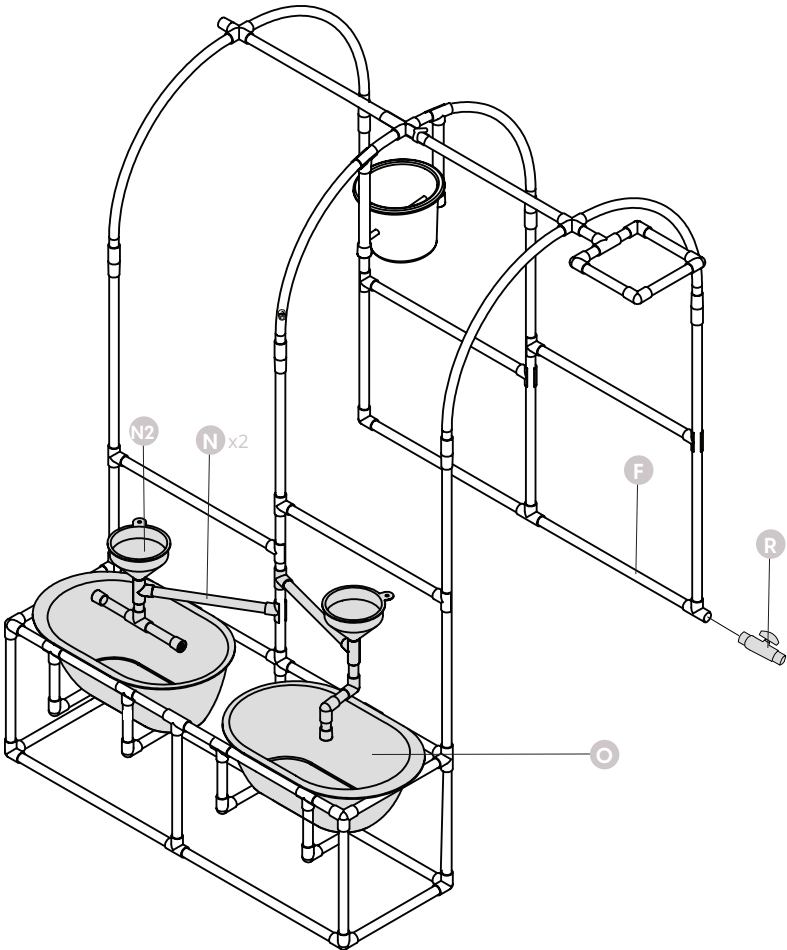
- SECURE PART (I) BY INSERTING PART (Q) INTO THE HOLES IN BOTH THE CONNECTOR AND THE TUBE.
- SNAP PART (L) ON TO THE VERTICAL SUPPORTS.
- SNAP PART (M) ON TO THE ACTIVITY TABLE.
- SNAP PART (P) ON TO THE MIDDLE ARCH WITH THE BUCKET POSITIONED DIRECTLY UNDER THE WATER HOLE ON PART .





## STEP 5

- CONNECT PARTS (N2) TO PARTS (N).
- SNAP PART (N) ONTO THE MIDDLE VERTICAL SUPPORT OVER THE WATER TABLE AREA.
- ATTACH PART (R) TO THE OPEN END OF PART (F).
- INSERT WATER BASINS (O) INTO THE FRAME
- YOU ARE NOW READY TO CONNECT THE HOSE.



**IMPORTANT: PLEASE ENSURE THAT ALL CONNECTIONS ARE TIGHT BEFORE ATTACHING A HOSE. IF WATER LEAKS OCCUR, YOU WILL NEED TO TIGHTEN THE CONNECTIONS BY PUSHING THEM TOGETHER OR USING A RUBBER MALLET TO BANG THEM CLOSED. AFTER ATTACHING THE HOSE, OPEN THE WATER SLOWLY. YOU CAN ADJUST THE SPRINKLER FLOW BY LOWERING AND RAISING THE WATER PRESSURE ON THE HOSE. THIS PRODUCT IS DESIGNED TO WITHSTAND STANDARD WATER PRESSURE FROM A GARDEN HOSE, AND SHOULD NOT BE USED WITH HIGH PRESSURE WATER SOURCES.**



PHONE: 866-686-4891 EMAIL: [INFO@MILLIARDBRANDS.COM](mailto:INFO@MILLIARDBRANDS.COM)