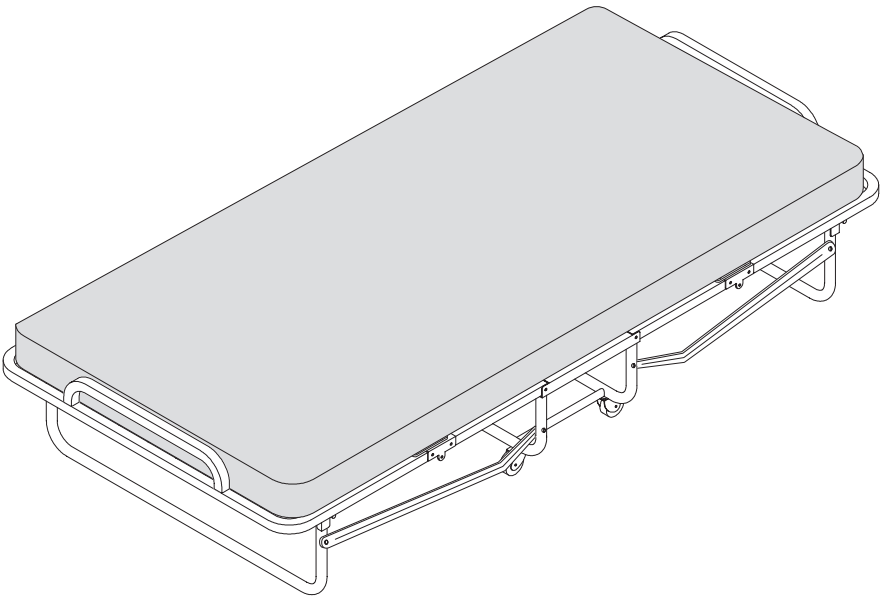




# Diplomat Folding Bed

MANUAL



**PRECAUTION:** ALWAYS READ AND FOLLOW INSTRUCTIONS BEFORE USE. ALWAYS USE THE UNIT ACCORDING TO THE MANUFACTURERS GUIDELINES. ONLY USE THE UNIT IN A MANNER AS INTENDED BY MANUFACTURER.

# Welcome to the family!

THANK YOU FOR PURCHASING OUR DIPLOMAT FOLDING BED  
AND TRUSTING MILLIARD WITH PROVIDING  
YOURSELF AND YOUR LOVED ONES WITH THE UTMOST  
COMFORT AND SUPPORT IN YOUR HOME.  
AS A FAMILY BRAND THAT STARTED BACK IN 2009 WE'VE  
DEDICATED OURSELVES TO CAREFULLY CRAFTING LINES  
OF PRODUCTS TO ELEVATE YOUR HOME. QUALITY  
AND FAIR PRICING IS OUR PROMISE TO YOU.  
IF IT'S NOT GOOD ENOUGH FOR OUR HOME,  
IT'S NOT GOOD ENOUGH FOR YOURS.

**⚠WARNING:** THIS PRODUCT IS TO BE ASSEMBLED BY AN ADULT. IN ITS UNASSEMBLED STATE THIS PRODUCT CONTAINS POTENTIALLY HAZARDOUS SHARP POINTS, SHARP EDGES, AND SMALL PARTS. KEEP OUT OF REACH OF CHILDREN.

DID YOUR UNIT COME WITH ANY DAMAGED OR MISSING PARTS?

# We're here to help.

OUR TEAM OF DEDICATED CUSTOMER CARE PROFESSIONALS ARE READY TO HELP YOU WITH ANY QUESTIONS OR CONCERNS YOU MAY HAVE.

FOR IMMEDIATE ATTENTION, CALL MONDAY-THURSDAY 9:00AM-5:00PM & FRIDAY 9:00AM-1:00PM.

OR YOU CAN LEAVE US A VOICE MESSAGE OR EMAIL, AND WE GUARANTEE YOU WILL HEAR BACK FROM US WITHIN ONE BUSINESS DAY.

PHONE: 866-686-4891

EMAIL: [INFO@MILLIARDBRANDS.COM](mailto:INFO@MILLIARDBRANDS.COM)



## USE & CARE INSTRUCTIONS

### MEMORY FOAM MATTRESS

YOUR MEMORY FOAM MATTRESS HAS BEEN FOLDED AND COMPRESSED FOR CONVENIENCE.

AFTER UNROLLING THE MATTRESS, IT MAY TAKE UP TO 48 HOURS FOR IT RETURN TO ITS INTENDED SIZE.

YOU MAY NOTICE A SLIGHT ODOR WHEN YOU OPEN YOUR NEW MATTRESS BECAUSE IT HAS BEEN COMPRESSED AND SEALED. THIS ODOR IS NORMAL AND HARMLESS. YOU MAY USE YOUR MATTRESS IN THE MEANTIME. IF YOUR MATTRESS IS USED BY A YOUNG CHILD OR INCONTINENT ADULT, PLACE A WATERPROOF MATTRESS PROTECTOR OVER YOUR MATTRESS.

TO CLEAN YOUR MATTRESS COVER, UNZIP AND MACHINE WAS COVER ON WARM, GENTLE CYCLE. TUMBLE DRY LOW OR HANG TO DRY.

FIREPROOF BARRIER ENCASING FOAM MATTRESS IS NOT WASHABLE.

DISCLAIMER: MILLIARD™ ASSUMES NO LIABILITY OR RESPONSIBILITY FOR ACCIDENTS OR INJURIES TO PERSONS OR PROPERTIES ASSOCIATED WITH THE IMPROPER USE OF THIS PRODUCT, NOR DOES MILLIARD CONDONE PROHIBITED OR UNLAWFUL USES. THIS PRODUCT MUST BE USED AS DIRECTED AND ALL SAFETY PRECAUTIONS MUST BE FOLLOWED AT ALL TIMES IN ACCORDANCE TO FEDERAL AND LOCAL LAWS OR REGULATIONS. BUYER ASSUMES ALL RISKS AND LIABILITY FROM MISUSE OF THIS PRODUCT AND MILLIARD SHALL NOT BE HELD LIABLE BEYOND THE INITIAL PURCHASE COST OF THE PRODUCT FOR ANY DAMAGES ARISING FROM ITS MISUSE.

## CAUTION

POLYURETHANE FOAM IS FLAMMABLE! GOOD FIRE SAFETY PRECAUTIONS SHOULD ALWAYS BE FOLLOWED. YOU MAY USE AN ELECTRIC BLANKET OR PAD WITH YOUR MATTRESS, BUT MAKE SURE IT IS IN GOOD WORKING CONDITION, CSA OR UL APPROVED, WITH NO VISIBLY WORN OR FRAYED WIRING.

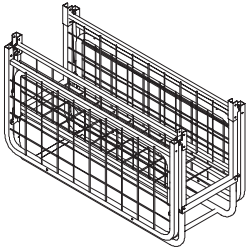
INSPECT ELECTRIC BLANKET OR PAD REGULARLY FOR SUCH PROBLEMS.

NEVER EXPOSE POLYURETHANE FOAM TO OPEN FLAME OR TO ANY DIRECT OR INDIRECT HIGH TEMPERATURE IGNITION SOURCE, SUCH AS CIGARETTES, SPACE HEATERS, BURNING CANDLES, OR NAKED LIGHTS. ONCE IGNITED, POLYURETHANE WILL BURN RAPIDLY, RELEASING GREAT HEAT AND CONSUMING OXYGEN AT A HIGH RATE, PRESENTING A DANGER OF SUFFOCATION OR BURNS TO OCCUPANTS. SERIOUS INJURY OR DEATH CAN RESULT!

# Frame Parts

A

FOLDING BED FRAME X1



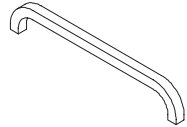
B

WHEELS X4



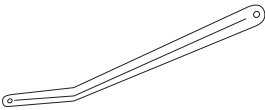
C

MATTRESS BAR X2



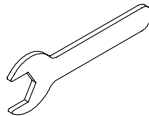
D

RETRACTION BAR X4



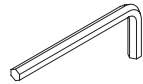
E

WRENCH X1



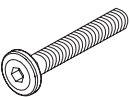
F

HEX KEY X1



G

HEX BOLT X4



H

COTTER PIN X8



I

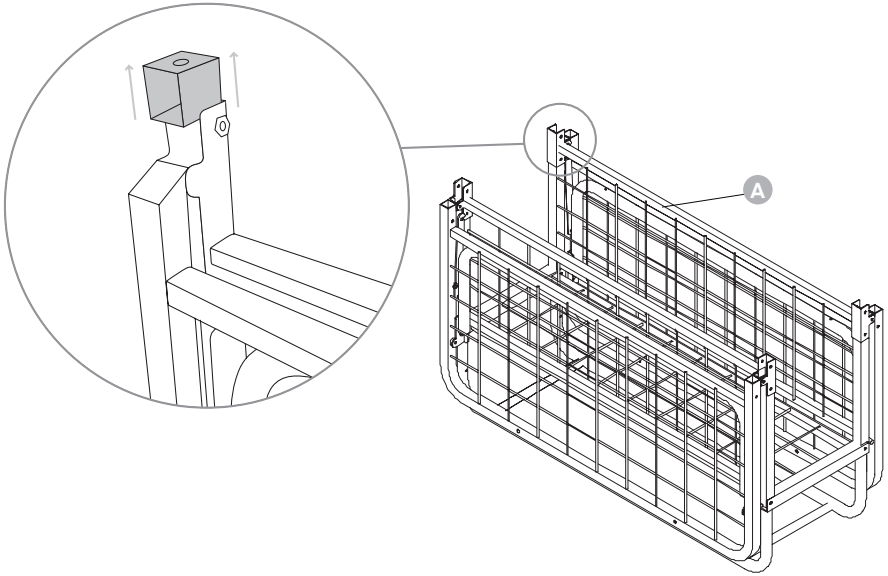
SPACER X8



# Assembly Instructions

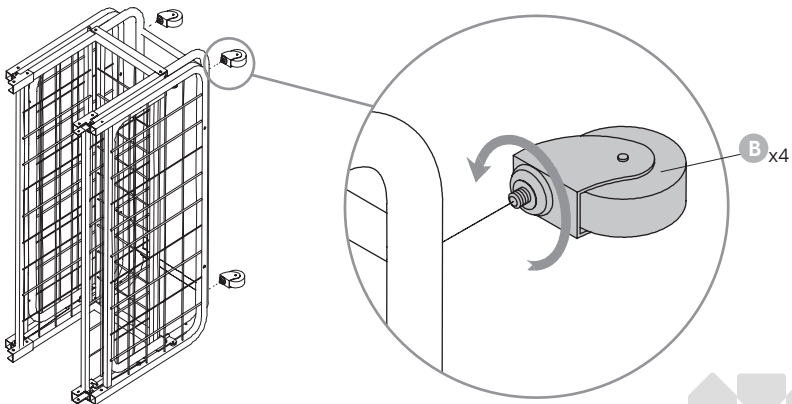
## STEP 1

REMOVE AND DISCARD THE METAL PACKAGING REINFORCEMENTS INSIDE THE 4 LEG JOINTS OF THE FOLDING BED FRAME (A). THE REINFORCEMENTS ARE INSERTED TO KEEP YOUR BED FRAME SECURE DURING SHIPPING.



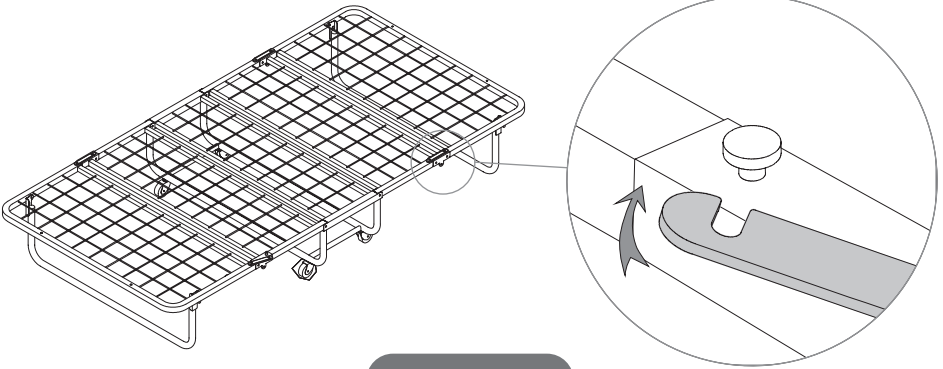
## STEP 2

LOWER THE FRAME ONTO IT'S SIDE, AND TWIST IN THE 4 WHEELS (B). TIGHTEN WITH INCLUDED WRENCH (E).  
PRO TIP: THERE ARE 2 LOCKING WHEELS AND 3 NON-LOCKING WHEELS FOR YOU TO STABILIZE THE BED OR KEEP IT FREE IN MOTION.



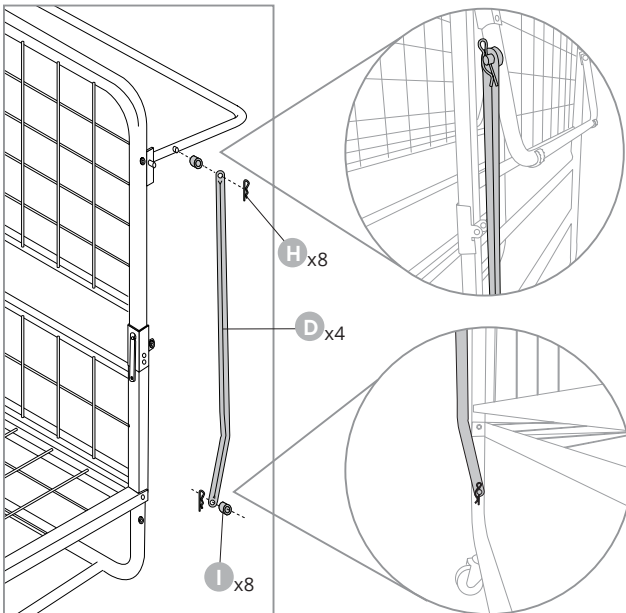
### STEP 3

UNFOLD THE FRAME TO ITS OPEN POSITION AND SECURE THE 4 LATCHES AS SHOWN BELOW.



### STEP 4

- FOLD BED FRAME INTO UPRIGHT POSITION AND RAISE THE LEG.
- PLACE A SPACER (I) ONTO THE PEG (LOCATED ON THE BED FRAME LEG), FOLLOWED BY THE RETRACTION BAR (D), AND FINALLY, SECURE WITH A COTTER PIN (H).
- FOLD THE LEG DOWN AND REPEAT THIS SEQUENCE AT THE OPPOSITE END OF THE RETRACTION BAR.
- REPEAT WITH THE REMAINING RETRACTION BARS (D).

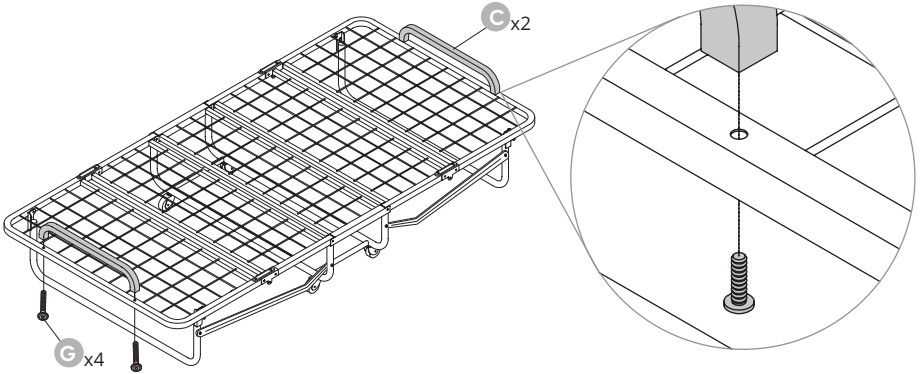


**PRO TIP:** FOR BEST AESTHETIC RESULTS, ATTACH THE CONVEX SIDE OF THE RETRACTION BAR FACING AWAY FROM THE FRAME AND THE CONCAVE SIDE FACING INWARDS TO THE FRAME.



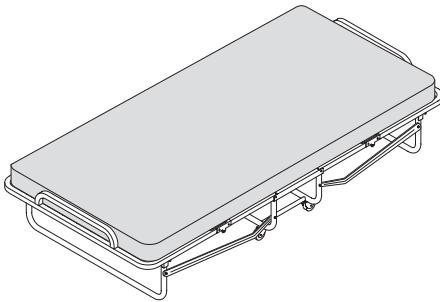
## STEP 5

SECURE THE 2 MATTRESS BARS (C) TO EACH END OF THE BED FRAME USING THE HEX BOLTS (G) AND HEX KEY (F).



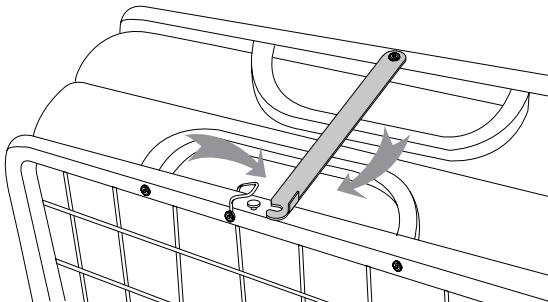
## STEP 6

REMOVE THE MATTRESS FROM ITS SHRINK WRAP AND LAY FLAT ON FRAME. IT MAY TAKE UP TO 48 HOURS FOR THE MATTRESS TO EXPAND TO ITS ORIGINAL SIZE.



## STEP 7

WHEN NOT IN USE SIMPLY FOLD UP YOUR BED AND USE THE LATCH TO SECURE THE FRAME IN AN UPRIGHT POSITION.



# Thank you again!

YOU'VE OFFICIALLY COMPLETED ALL ASSEMBLING.

THANK YOU AGAIN FOR YOUR PURCHASE.

WE HOPE YOU'RE LOVING IT!



PHONE: 866-686-4891 EMAIL: [INFO@MILLIARDBRANDS.COM](mailto:INFO@MILLIARDBRANDS.COM)