

milliard™

# TABLE & CHAIRS

for kids!



PRODUCT MANUAL



Congratulations on the purchase of your new Milliard 3-in-1 Play Table! Now your kids have their own furniture to work and play on, as well as spill, paint and, of course, eat. It's sized just for them, with lots of storage drawers to hold all their treasures where no grownups are allowed, and you can rest easy that your family's heirloom furniture in the rest of the house is safe. Win – win for everyone! Enjoy Milliard products and be sure to check out our other great items!

**⚠️ WARNING: REVIEW ALL WARNINGS AND INSTRUCTIONS TO REDUCE THE RISK OF SERIOUS INJURY OR DEATH.**

The table and chairs must be assembled by an adult.

Carefully inspect the table and chairs after assembly to ensure that they are stable and that there are no exposed screws or other sharp parts.

To avoid falls or strangulation, do not place the table near a window or a corded window treatment.

Do not allow children to climb on the table. The table may tip over or break, which could lead to serious injury or death.

Do not allow children to remove the table top without adult assistance.

To avoid choking hazards, do not allow children under the age of three to play with toys that contain small parts.

**Did your product arrive damaged or missing parts?  
WE'RE HERE TO HELP.**

Our team of dedicated customer care professionals are ready to help you with any questions or concerns. For immediate attention, call us.

Or you can leave a voicemail or email and we guarantee you will hear back from us within one business day.

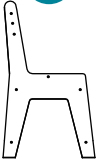
**Phone:** 866-686-4891 **Email:** [info@milliardbrands.com](mailto:info@milliardbrands.com)

Milliard Enterprises LLC  
1980 Swarthmore Ave  
Lakewood, NJ 08701 USA  
MADE IN CHINA

**DISCLAIMER:** Milliard™ assumes no liability or responsibility for accidents or injuries to persons or properties associated with the improper use of this product, nor does Milliard condone prohibited or unlawful uses. This product must be used as directed and all safety precautions must be followed at all times in accordance to federal and local laws or regulations. Buyer assumes all risks and liability from misuse of this product and Milliard shall not be held liable beyond the initial purchase cost of the product for any damages arising from its misuse.

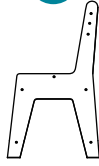
# PARTS

1



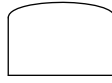
RIGHT CHAIR SIDE  
(X2)

2



LEFT CHAIR SIDE  
(X2)

3



CHAIR BACK  
(X2)

4



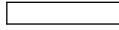
CHAIR SEAT  
(X2)

5



CHAIR SHELF  
(X2)

6



SEAT SUPPORT  
(X4)

7



CHAIR SHELF END  
(X2)

8



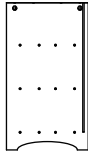
SMALL BASKET  
(X2)

9



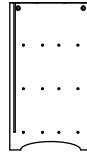
SMALL BASKET  
INSERT (X2)

10



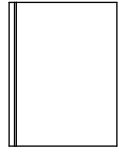
LEFT TABLE  
SIDE (X1)

11



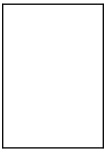
RIGHT TABLE  
SIDE (X1)

12



BOTTOM TABLE  
SHELF (X1)

13



MIDDLE TABLE  
SHELF (X2)

14

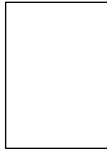


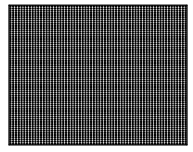
TABLE BACK  
(X1)

15



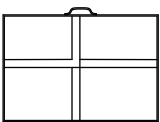
TABLETOP BASE  
(X1)

16



TABLETOP INSERT  
(X1)

17



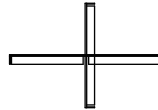
LARGE BASKET  
(X3)

18



LARGE BASKET  
INSERT (X3)

19



BASKET DIVIDER  
(X3)

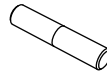
## PARTS

**A**

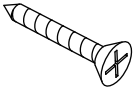
BOLT  
(X36)

**B**

DOWEL NUT  
(X36)

**C**

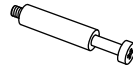
DOWEL PEG  
(X40)

**D**

LARGE SCREW  
(X4)

**E**

CAM FASTENER  
(X4)

**F**

CAM SCREW  
(X1)

**G**

ANGLE FASTENER  
(X4)

**H**

SMALL SCREW  
(X4)

**I**

HEX/PHILIP KEY  
(X1)

## ASSEMBLY

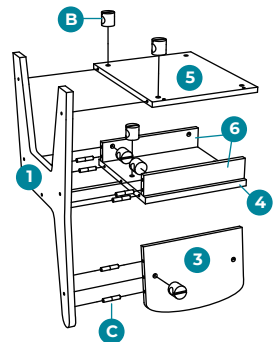
### » START BY ASSEMBLING THE CHAIRS

**1**

Lay one **chair side (1)** on a level surface. Prep it by inserting **dowel pegs (C)** into all holes that do not go through and through.

Prep the **chair back (3)**, **chair seat (4)**, **two seat supports (6)**, and the **chair shelf (5)** by inserting **dowel nuts (B)** into all large holes on the wide sides.

Attach the chair back, chair seat, 2 seat supports and the chair shelf in the appropriate places as shown. (Make sure that the dowel nuts are facing down or back, so they will not be seen from the front when the chair is upright.)



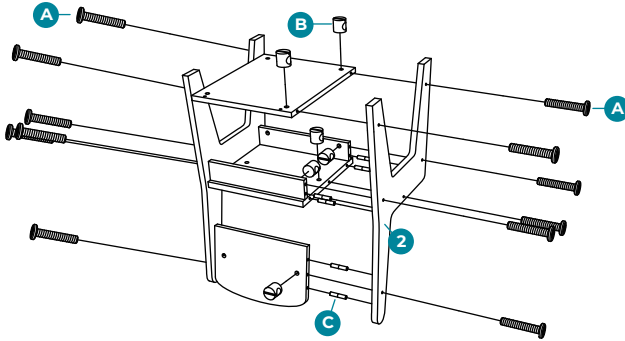
## ASSEMBLY

2

Insert dowel nuts into the chair back, chair seat, 2 seat supports and the chair shelf in all holes that do not go through and through.

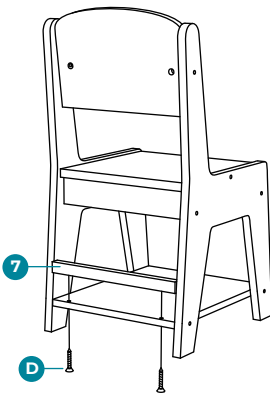
Attach the **second chair side (2)** on top by inserting the **bolts (A)**.

Carefully turn over the chair and insert bolts into the holes on the other side.



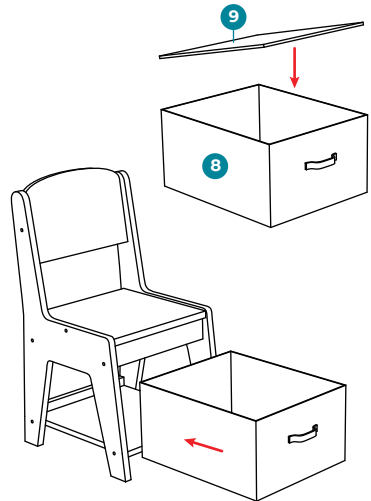
3

Attach the **chair shelf end (7)** to the chair shelf with the **2 large screws (D)**.



4

Place the **small basket insert (9)** into the **small basket (8)**.



Repeat for the second chair.

## ASSEMBLY

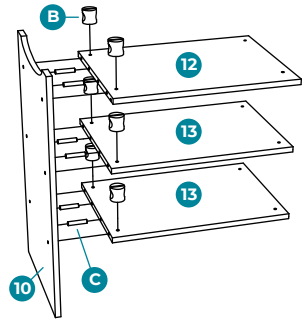
### » NOW ASSEMBLE THE TABLE

5

Lay one **table side (10)** on a level surface. Prep it by inserting **dowel pegs (C)** into all holes that do not go through and through.

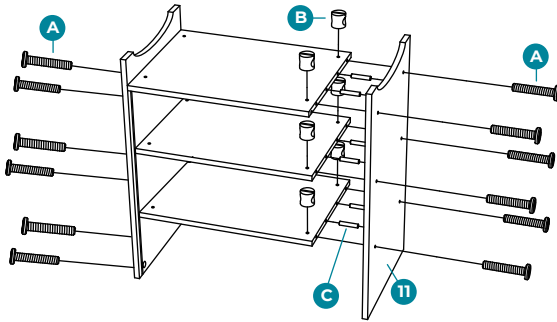
Prep the **shelves (12) (13)** by inserting dowel nuts into all large holes on the wide sides.

Attach the shelves, making sure to put the **bottom shelf (12)** at the bottom.



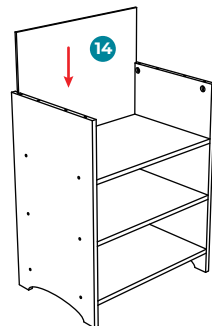
6

Insert dowel pegs into all the shelf holes that do not go through and through. Attach the second **table side (11)** on top by inserting the bolts. Carefully turn over the table and insert bolts into the holes on the other side.



7

Turn the table upright and slide in the **table back (14)**.



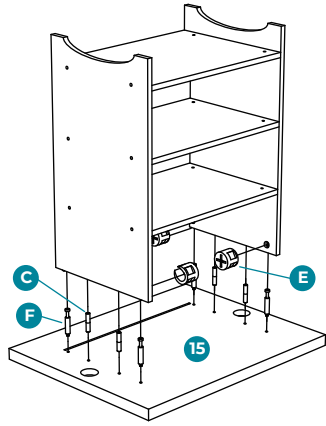
## ASSEMBLY

8

Insert **cam fasteners (E)** into the holes at the top of the table sides with the arrows pointing upwards.

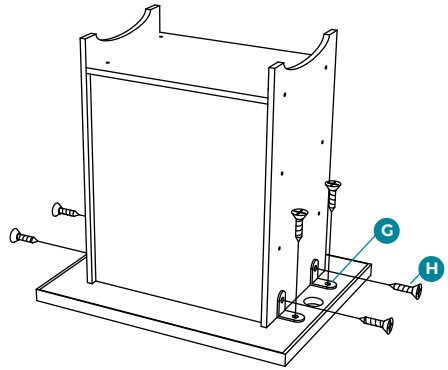
Prep the **tabletop base (15)** by inserting dowel pegs into the inner holes and screwing **cam screws (F)** into the outer holes.

Turn the table upside down and attach it to the tabletop base by turning the cam fasteners 90 degrees, clockwise.



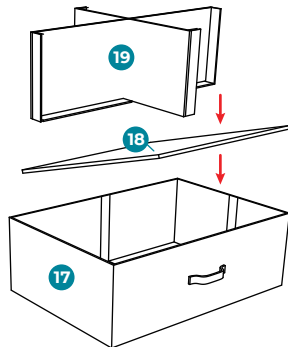
9

Attach the **angle fasteners (G)** with the **small screws (H)**.



10

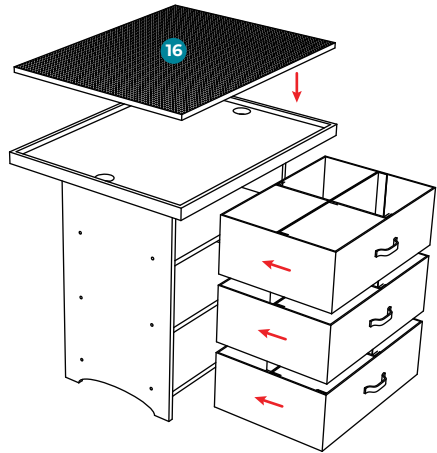
Insert the **large basket inserts (18)** into the **baskets (17)**. Then insert the **basket dividers (19)**.



## ASSEMBLY

8

Turn the table upright. Place the **tabletop insert (16)** in the tabletop. Place the baskets on the shelves.



» **JOB WELL DONE!**  
**PAT YOURSELF ON THE BACK!**