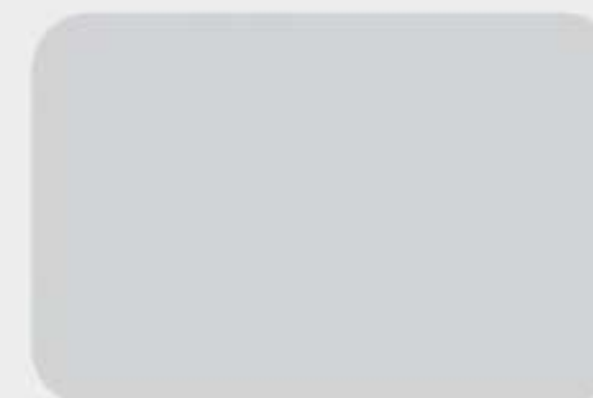


USER MANUAL



C-1500R(S)V
C-800A(S)V
C-818A(S)V
C-608A(S)

C-880A(S)V
C-1080A(S)V
C-1180A(S)V



C-1500R(S)V, C-818A(S)V, C-880A(S)V, C-1080A(S)V, C-1180A(S)V

Characteristics:

1. Composed of ultra bright LEDs with standard color temperature, high CRI above 95 and long lifetime 50,000hrs after strict screen.
2. Lishuai initiates boutique way of lighting from the edge which is soft and free from glare.
3. It is delicately designed with ultra slim housing, heat-free and long lifetime.
4. External power supply available, convenient for outdoor use.
5. Big LCD screen displays the real-time data.
6. Safe and stable metal support of stand adapter.
7. LED heat-free technology assures the stable, consistent and accurate lighting output.
8. It is PWM integrated digital designed, dimmable from 10% to 100%, flicker-free.
9. It comes with DMX dimming function, through which 512 different channels of lights can be controlled.
10. On bi-color light, color temperature is optionally adjustable from 3200K to 5600K.
11. It is suitable for indoor and outdoor photography and videography, portrait photography and wedding photography, especially good for children photography.

Specifications:

C-1500R(S)V

MODEL	C-1500RV	C-1500RSV
LED	240pcs of ultra bright LEDs	480pcs of ultra bright LEDs
Illuminance	1900Lux/m, 655Lux/2m	
Beam angle	75°	
Color temperature	5600K±300K/3200K±150K	3200K±150K ~ 5600K±300K
CRI	Ra≥95	
Output power	120W	
Working voltage	AC100V-240V, DC13V-17V	
Dimension	φ 80 x 8.7cm	
Weight	9.23kg	
Accessories	15V 144W AC adapter, Power cord, Safety cable	

C-800A(S)V

MODEL	C-800AV	C-800ASV
LED	160pcs of ultra bright LEDs	320pcs of ultra bright LEDs
Illuminance	2874Lux/0.5m, 1029Lux/m, 395Lux/2m	
Beam angle	75°	
Color temperature	5600K±300K/3200K±150K	3200K±150K~5600K±300K
CRI	Ra≥95	
Output power	80W	
Working voltage	AC100V-240V, DC13V-17V	
Dimension	101.3 x 18.1 x 9.5 cm	
Weight	4.7kg	
Accessories	15V 105W AC adapter, Power cord, Safety cable, Carrying Case	

C-818A(S)V

MODEL	C-818AV	C-818ASV
LED	160pcs of ultra bright LEDs	320pcs of ultra bright LEDs
Illuminance	4780Lux/0.5m, 1400Lux/m, 368Lux/2m	
Beam angle	75°	
Color temperature	5600K±300K/3200K±150K	3200K±150K~5600K±300K
CRI	Ra≥95	
Output power	80W	
Working voltage	AC100V-240V, DC13V-17V	
Dimension	54 x 54 x 6.5cm	
Weight	5.94kg	
Accessories	15V 105W AC adapter, Power cord, Safety cable, Carrying Case	

C-880A(S)V

MODEL \ SPEC	C-880AV	C-880ASV
LED	160pcs of ultra bright LEDs	320pcs of ultra bright LEDs
Illuminance	4600Lux/0.5m, 1320Lux/m, 380Lux/2m	
Beam angle	75°	
Color temperature	5600K±300K/3200K±150K	3200K±150K~5600K±300K
CRI	Ra≥95	
Output power	80W	
Working voltage	AC100V-240V, DC13V-17V	
Dimension	76.8 x 29.2 x 9.5cm	
Weight	6.95kg	
Accessories	15V 105W AC adapter, Power cord, Safety cable, Carrying Case	

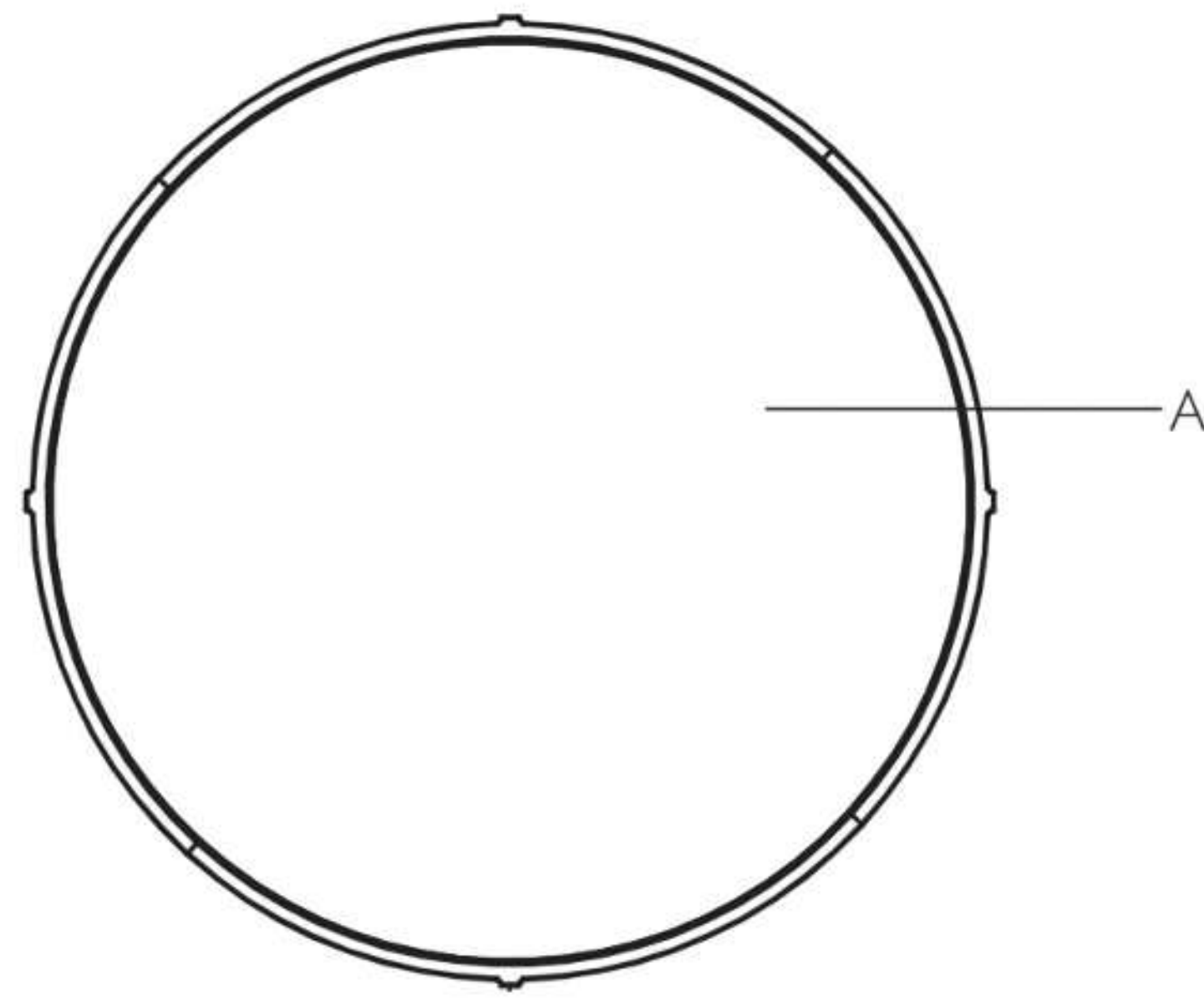
C-1180A(S)V

MODEL \ SPEC	C-1180AV	C-1180ASV
LED	200pcs of ultra bright LEDs	400pcs of ultra bright LEDs
Illuminance	3535Lux/0.5m, 1458Lux/m, 592Lux/2m	
Beam angle	75°	
Color temperature	5600K±300K/3200K±150K	3200K±150K~5600K±300K
CRI	Ra≥95	
Output power	100W	
Working voltage	AC100V-240V, DC13V-17V	
Dimension	126 x 29.2 x 9.5cm	
Weight	7.3kg	
Accessories	15V 144W AC adapter, Power cord, Safety cable, Carrying case	

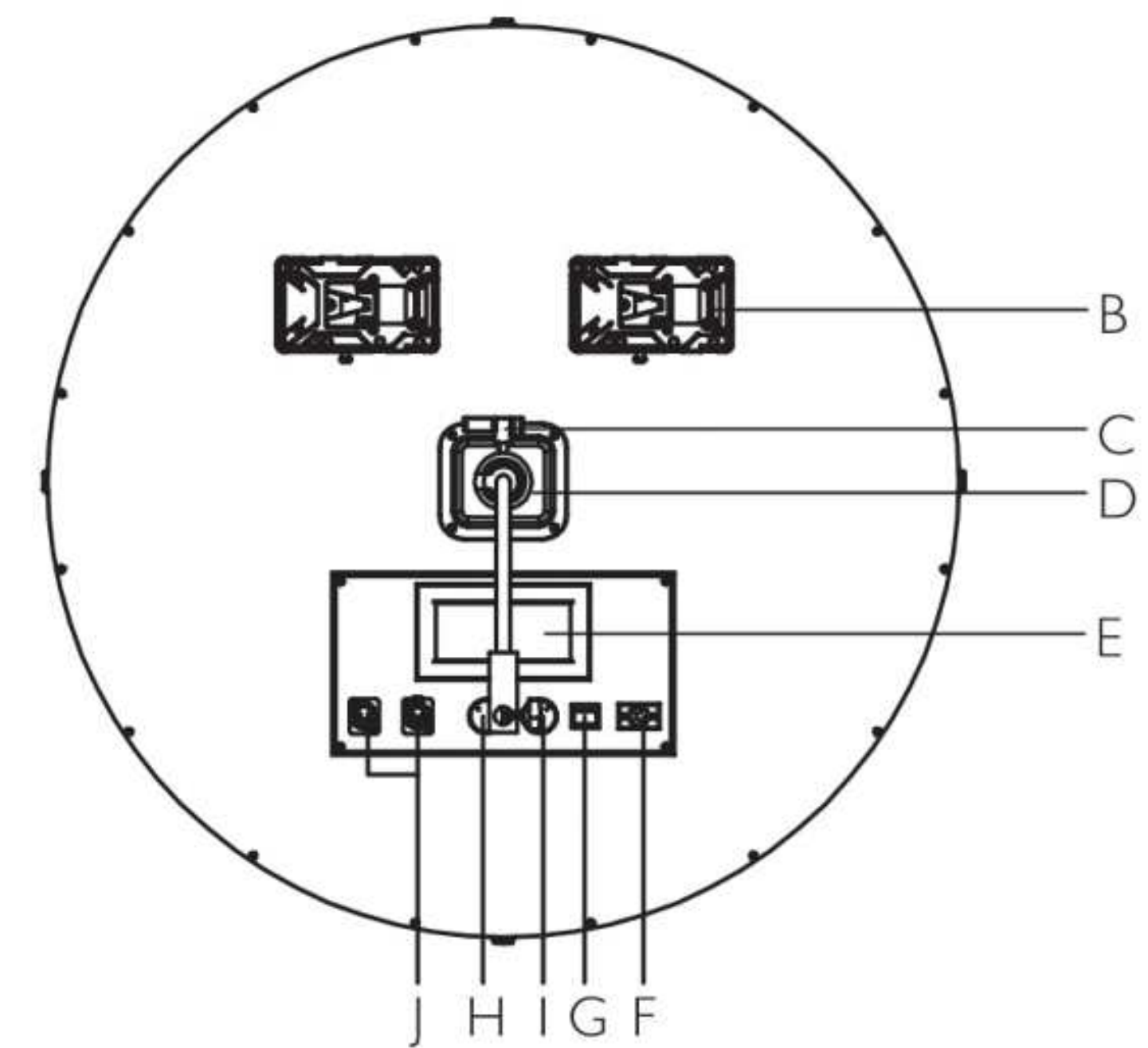
C-1080A(S)V

MODEL \ SPEC	C-1080AV	C-1080ASV
LED	200pcs of ultra bright LEDs	400pcs of ultra bright LEDs
Illuminance	2874Lux/0.5m, 1029Lux/m, 395Lux/2m	
Beam angle	75°	
Color temperature	5600K±300K/3200K±150K	3200K±150K~5600K±300K
CRI	Ra≥95	
Output power	100W	
Working voltage	AC100V-240V, DC13V-17V	
Dimension	126 x 12.1 x 9.5cm	
Weight	4.8kg	
Accessories	15V 144W AC adapter, Power cord, Safety cable, Carrying case	

Name of the parts



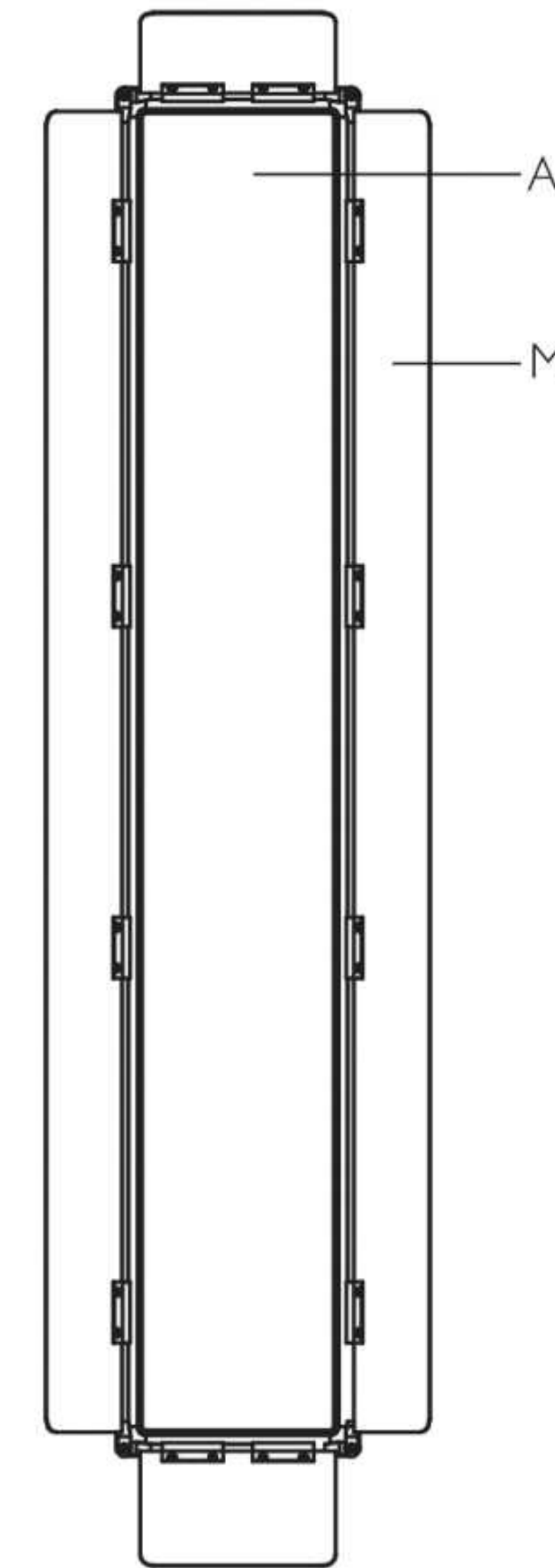
Front view



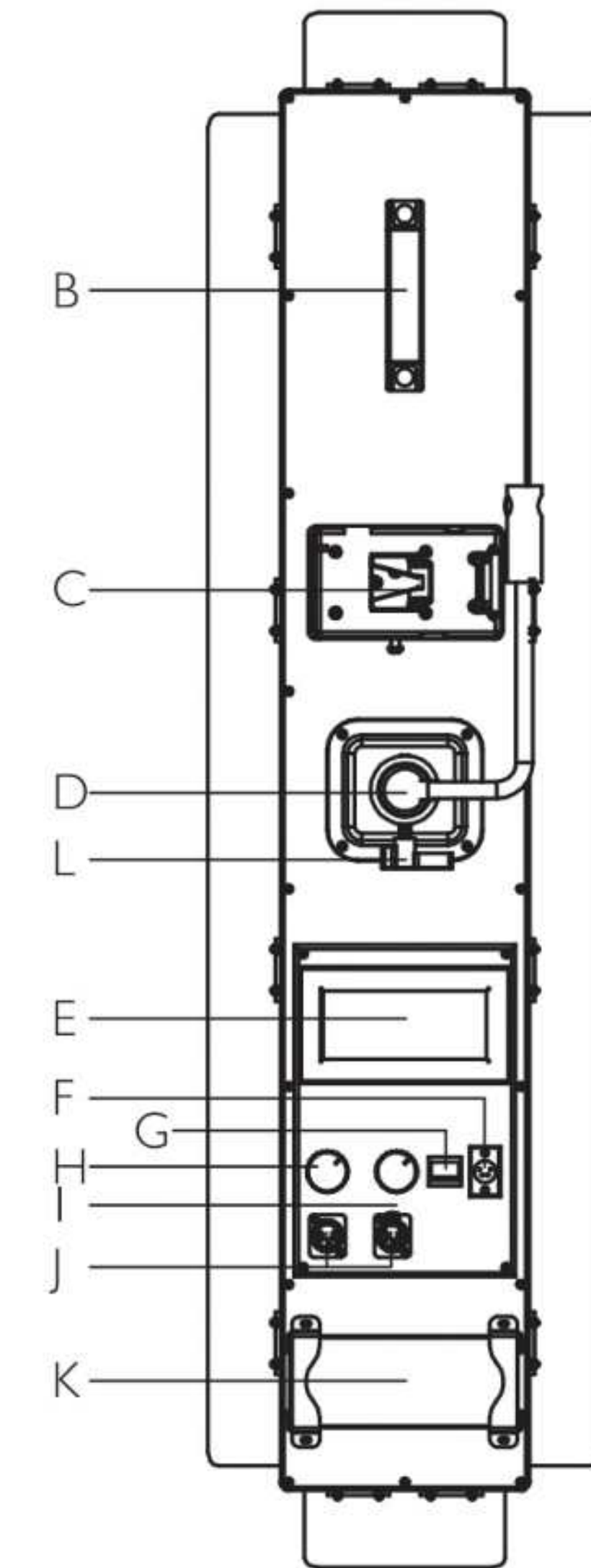
Back view

C-1500R(S)V

- Ⓐ Front diffuser panel
- Ⓑ Sony V type or Anton Bauer battery plate
- Ⓒ Locking knob for the stand mount
- Ⓓ Adjustable stand mount
- Ⓔ LCD screen
- Ⓕ 4-pin XLR power socket
- Ⓖ Power ON/OFF switch
- Ⓗ CT dimming knob
- Ⓘ Brightness dimming knob
- ⓵ DMX connecting socket



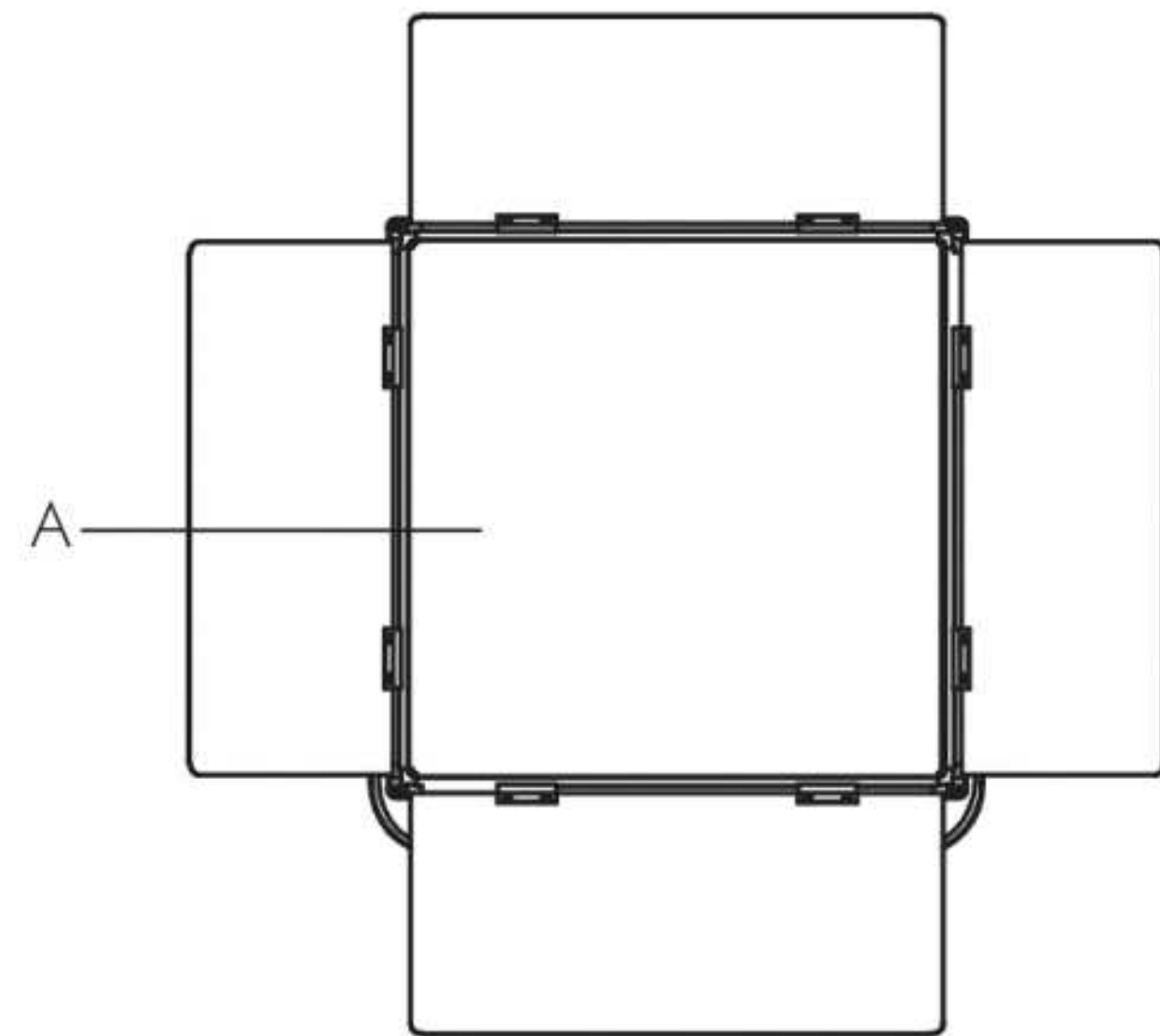
Front view



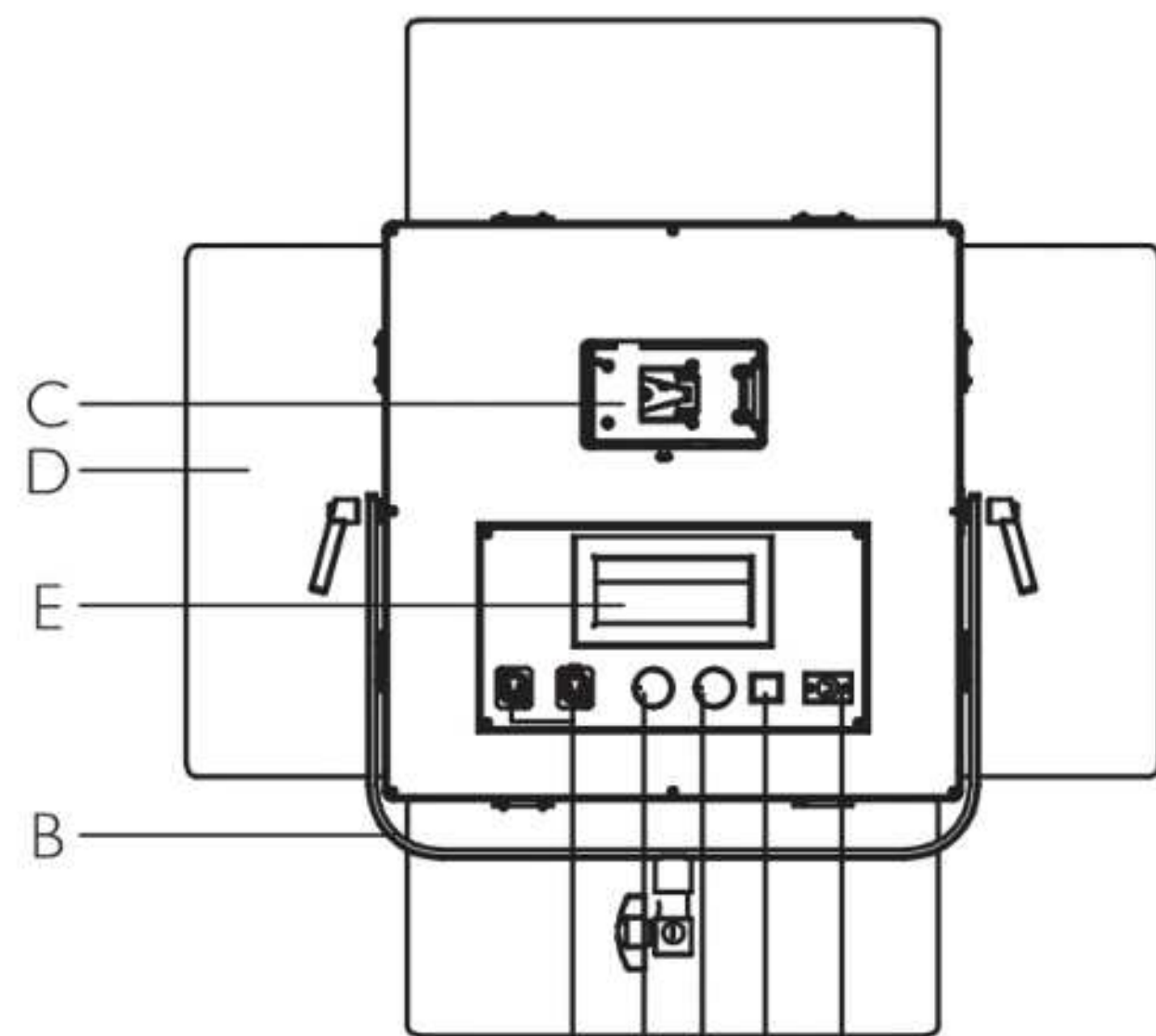
Back view

C-800A(S)V

- Ⓐ Front diffuser panel
- Ⓑ Handle
- Ⓒ Sony V type or Anton Bauer battery plate
- Ⓓ Adjustable stand mount
- Ⓔ LCD screen
- Ⓕ 4-pin XLR power socket
- Ⓖ Power ON/OFF switch
- Ⓗ CT dimming knob
- Ⓘ Brightness dimming knob
- ⓵ DMX connecting socket
- Ⓚ AC power adapter
- Ⓛ Locking knob for the stand mount
- Ⓜ 4-way barndoor set



Front view

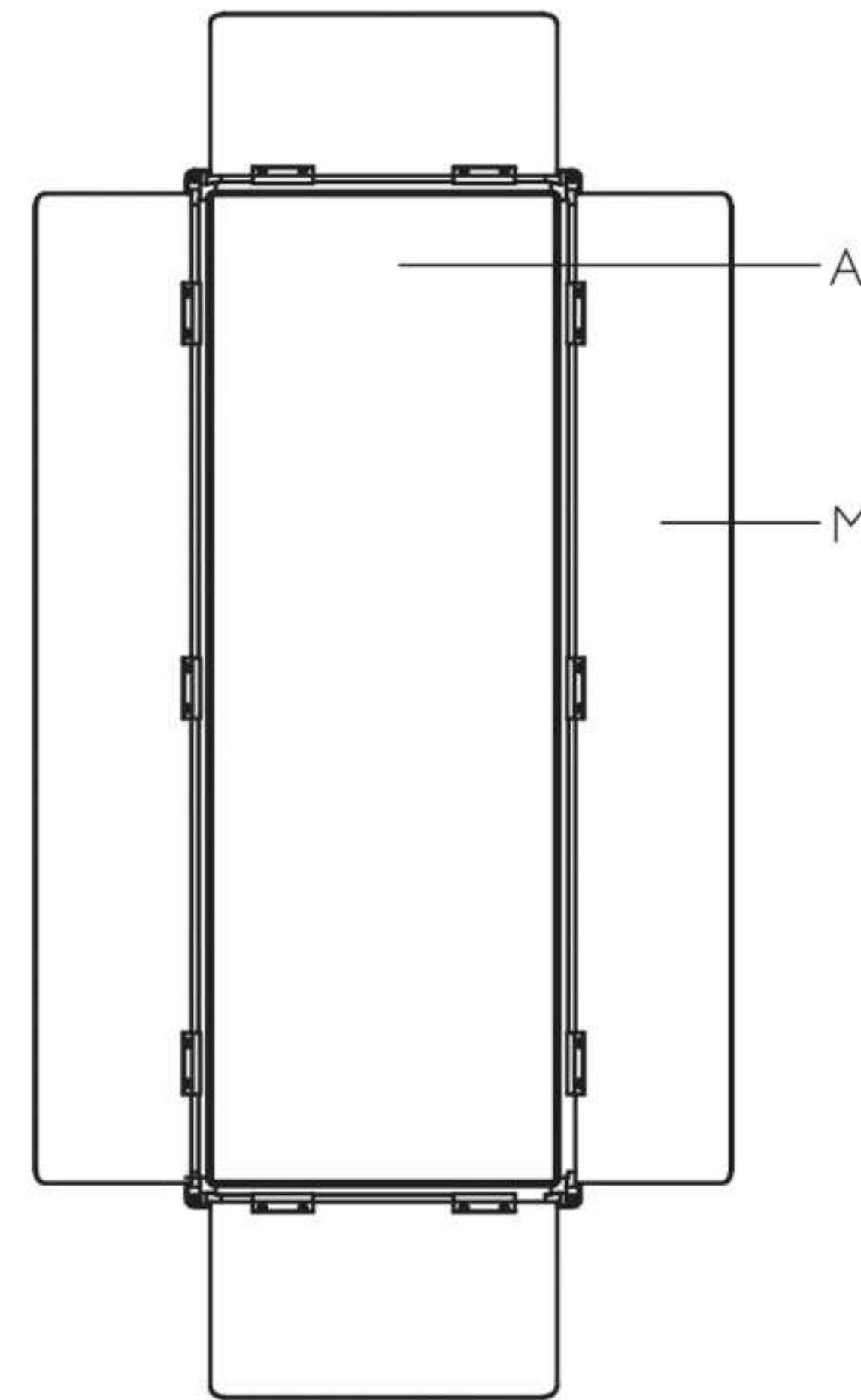


J H I G F

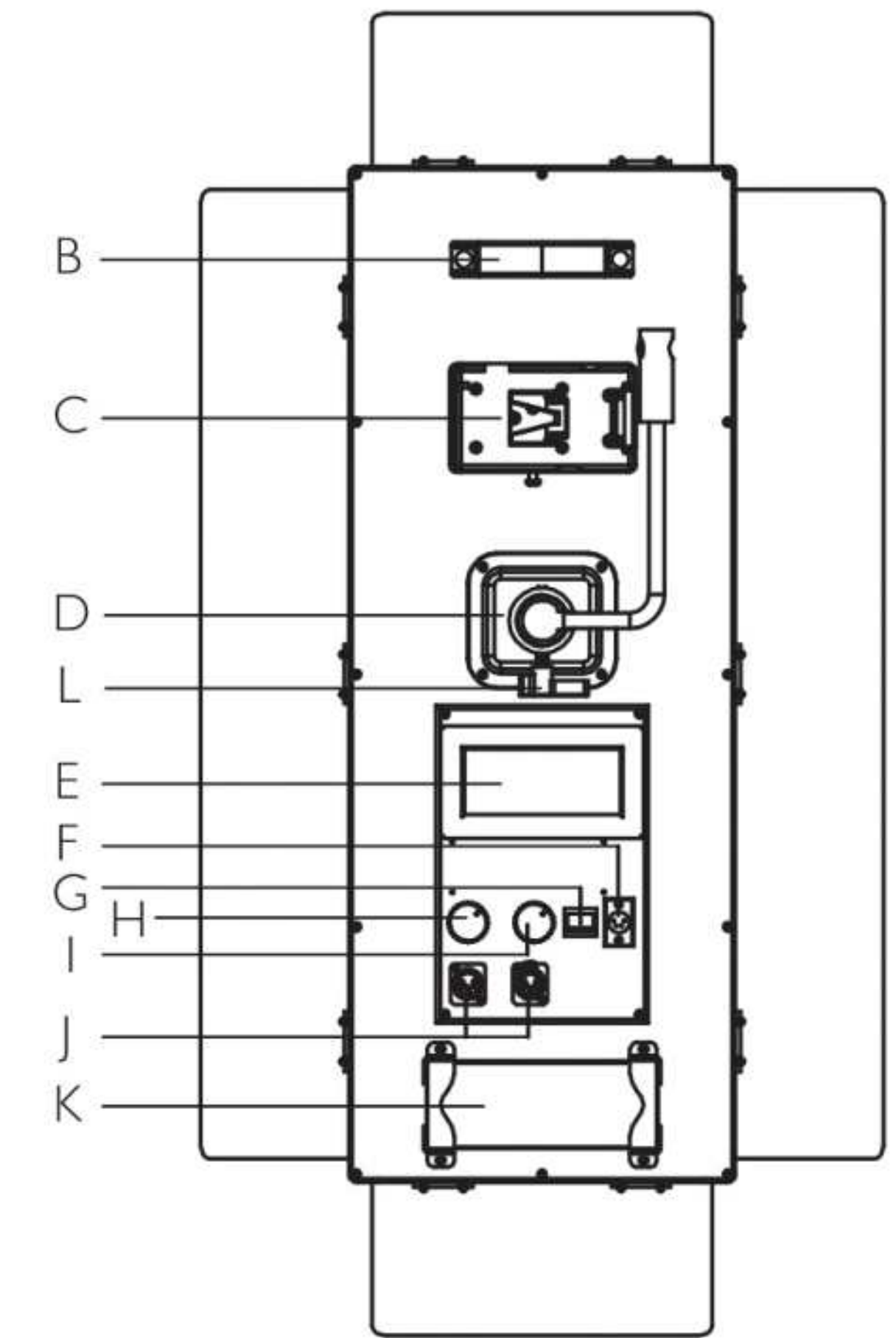
Back view

C-818A(S)V

- Ⓐ Front diffuser panel
- Ⓑ Yoke
- Ⓒ Sony V type or Anton Bauer battery plate
- Ⓓ 4-way Barndoor set
- Ⓔ LCD screen
- Ⓕ 4-pin XLR power socket
- Ⓖ Power ON/OFF switch
- Ⓗ CT dimming knob
- Ⓘ Brightness dimming knob
- ⓵ DMX connecting socket



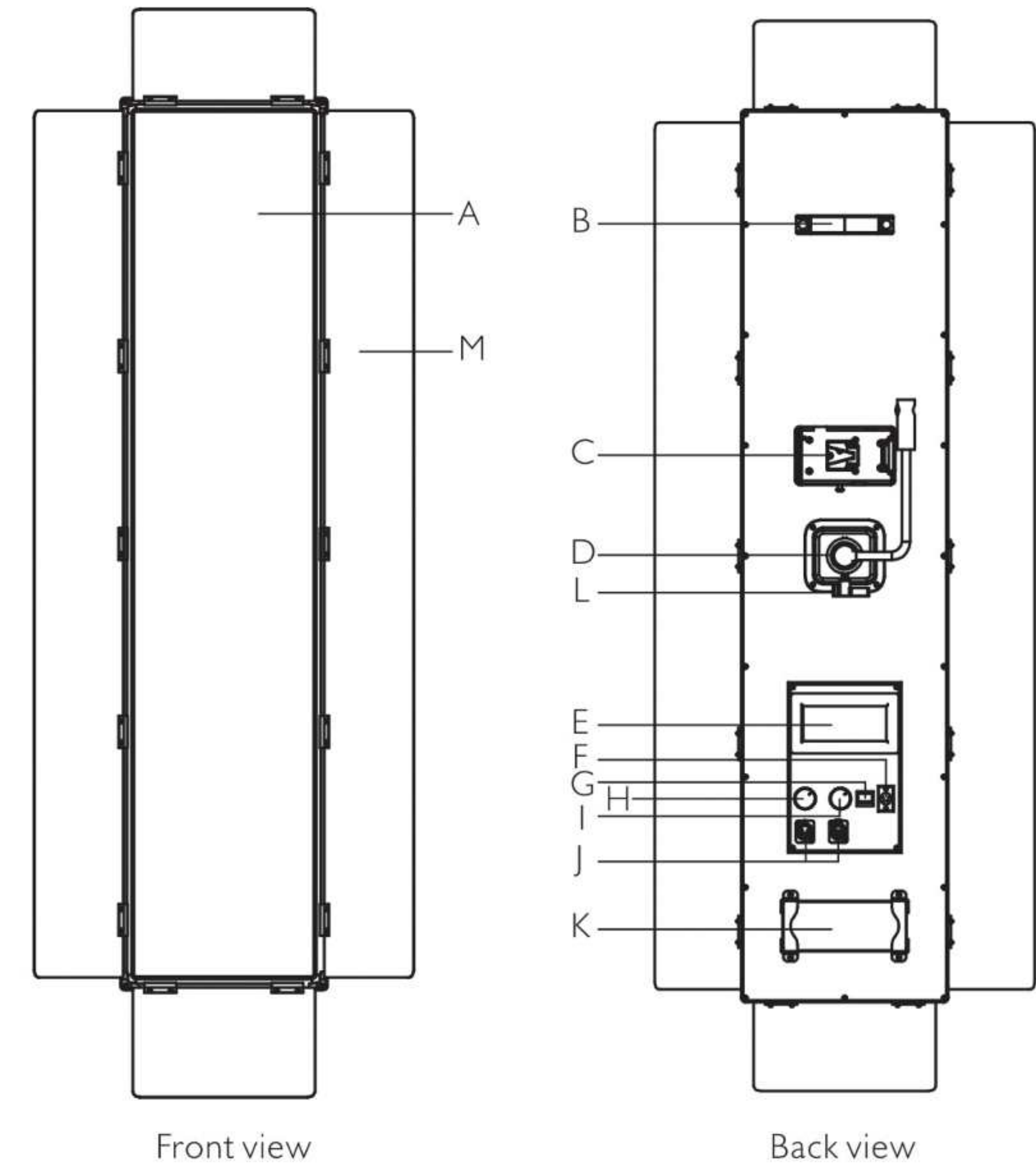
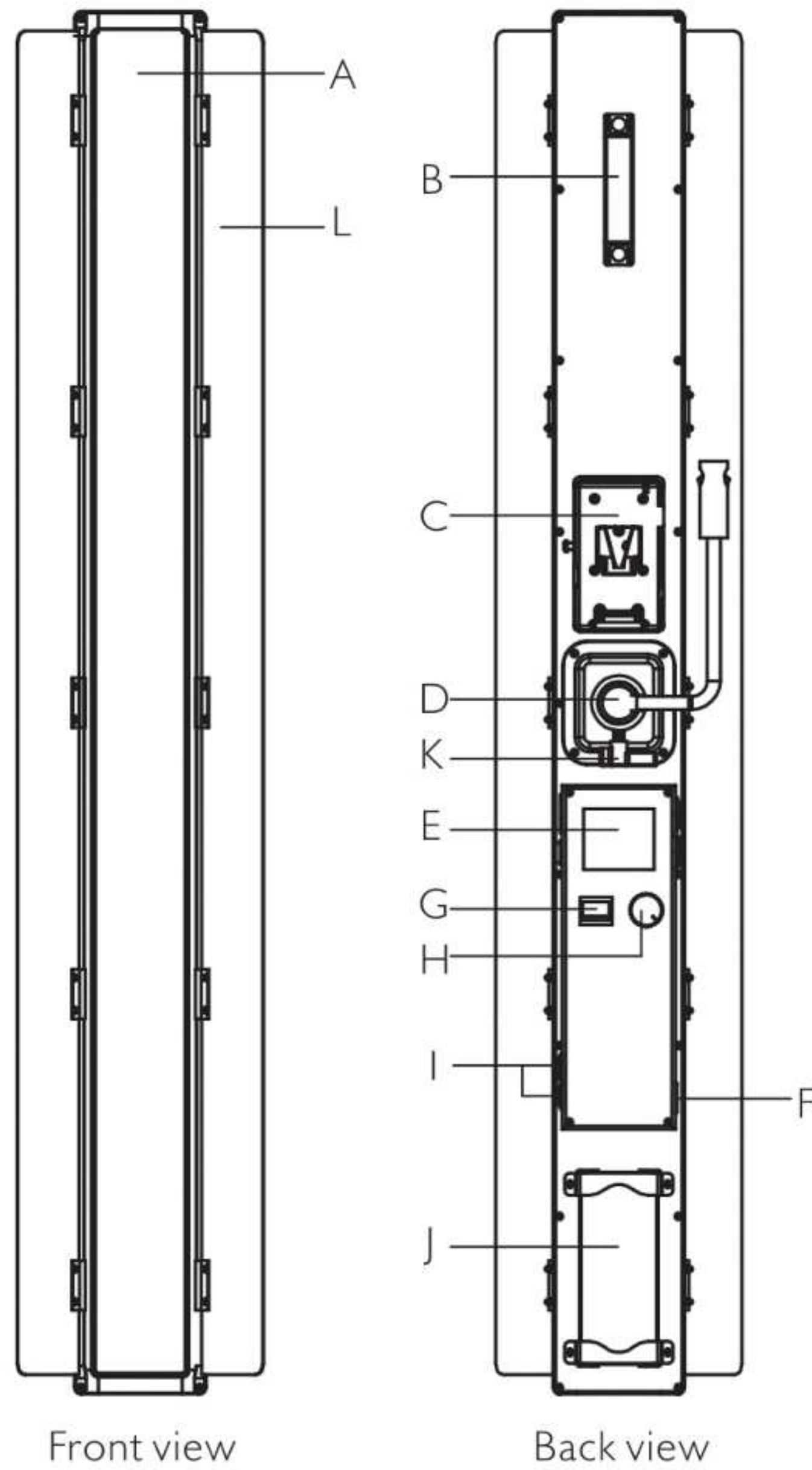
Front view



Back view

C-880A(S)V

- Ⓐ Front diffuser panel
- Ⓑ Handle
- Ⓒ Sony V type or Anton Bauer battery plate
- Ⓓ Adjustable stand mount
- Ⓔ LCD screen
- Ⓕ 4-pin XLR power socket
- Ⓖ Power ON/OFF switch
- Ⓗ CT dimming knob
- Ⓘ Brightness dimming knob
- ⓵ DMX connecting socket
- Ⓚ AC power adapter
- Ⓛ Locking knob for the stand mount
- Ⓜ 4-way barndoor set



C-1080A(S)V

- (A) Front diffuser panel
- (B) Handle
- (C) Sony V type or Anton Bauer battery plate
- (D) Adjustable stand mount
- (E) LCD screen
- (F) 4-pin XLR power socket
- (G) Power ON/OFF switch
- (H) Function knob
- (I) DMX connecting socket
- (J) AC power adapter
- (K) Locking knob for the stand mount
- (L) 4-way barndoor set

C-1180A(S)V

- (A) Front diffuser panel
- (B) Handle
- (C) Sony V type or Anton Bauer battery plate
- (D) Adjustable stand mount
- (E) LCD screen
- (F) 4-pin XLR power socket
- (G) Power ON/OFF switch
- (H) CT dimming knob
- (I) Brightness dimming knob
- (J) DMX connecting socket
- (K) AC power adapter
- (L) Locking knob for the stand mount
- (M) 4-way barndoor set

Operation Instructions:

1. Insert the AC power adapter to the 4-pin XLR socket, connect it to the power supply and turn it on, the light works.

2. On C-1500RSV, C-800ASV, C-1180ASV, C-818ASV, C-880ASV:

The upper side of the LCD shows brightness 10%-100% and color temperature 3200K-5600K.

The bottom side of the LCD shows DMX address 1-512.

On C-1500RV, C-800AV, C-1180AV, C-818AV, C-880AV:

The upper side of the LCD shows brightness 10%-100%.

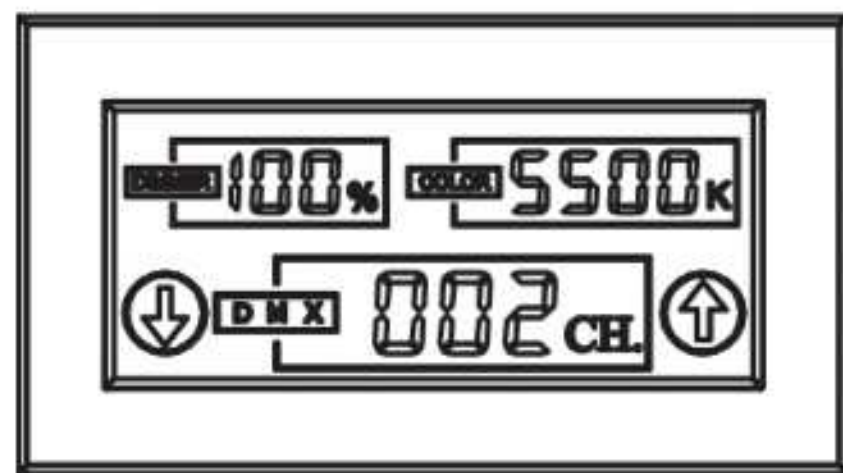
The bottom side of the LCD shows DMX address 1-512.

On C-1080ASV:

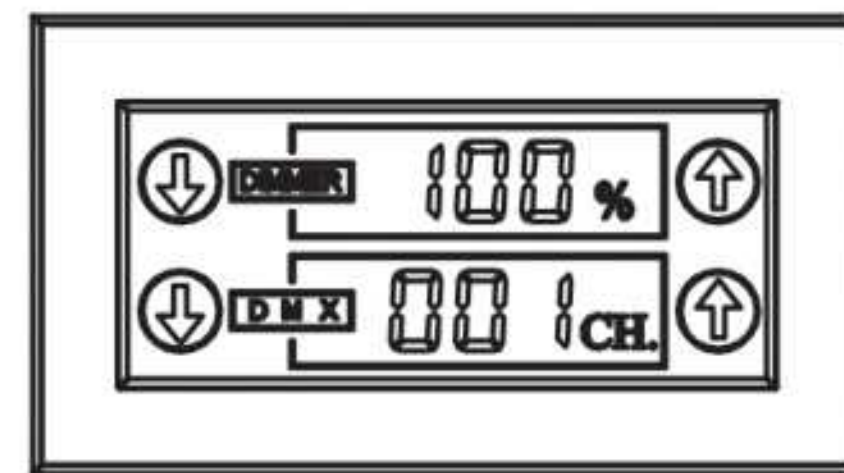
LCD shows the brightness (10%-100%), color temperature (3200K-5600K) and DMX address 1-512.

On C-1080AV:

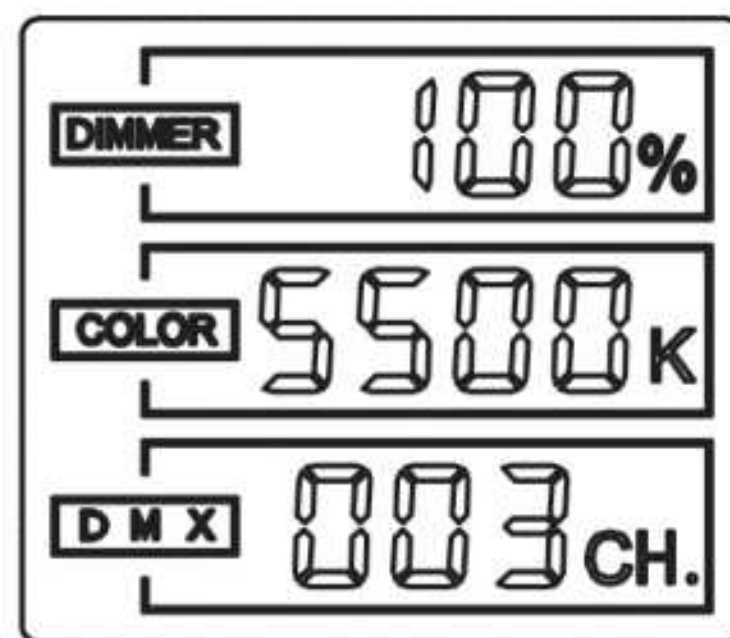
LCD shows the brightness (10%-100%), color temperature (5600K only) and DMX address 1-512.



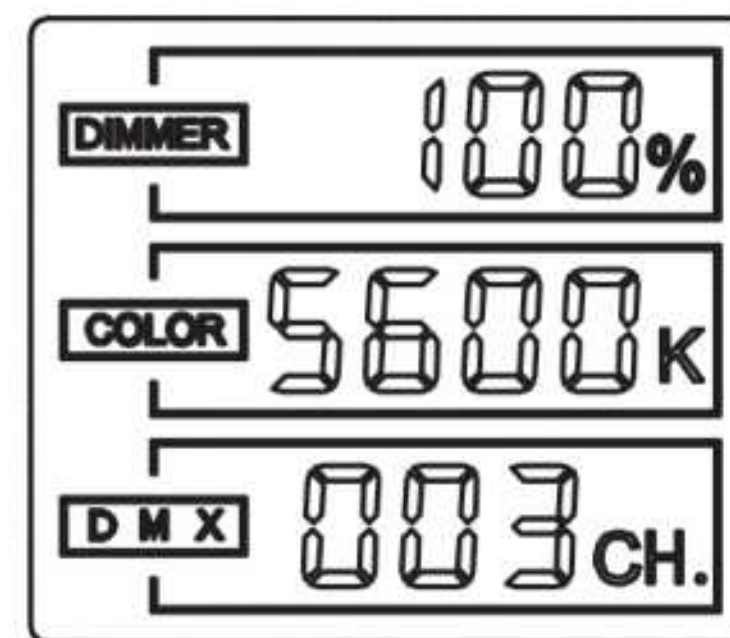
C-1500RSV, C-800ASV, C-818ASV, C-880ASV, C-1180ASV display



C-1500RV, C-800AV, C-818AV, C-880AV, C-1180AV display



C-1080ASV display



C-1080AV display

3. C-1080ASV:

Press the function knob, it turns to color temperature adjustment mode and the color temperature data twinkles on the LCD.

Clockwise rotate the function knob to increase the color temperature up to 5600K; anticlockwise rotate the function knob to decrease the color temperature minimum to 3200K.

Then press the function knob and it turns to DMX address adjustment mode. The DMX address data on LCD twinkles.

Now clockwise rotate the function knob to increase the number which shows the DMX address and anticlockwise rotate the knob to decrease. The address can be adjusted from 1 to 512.

Either in color temperature adjustment mode or DMX address adjustment mode, wait for the data twinkling for 5 times and it automatically returns to brightness adjustment mode. Or in DMX address adjustment mode, manually press the function knob to return to brightness adjustment mode.

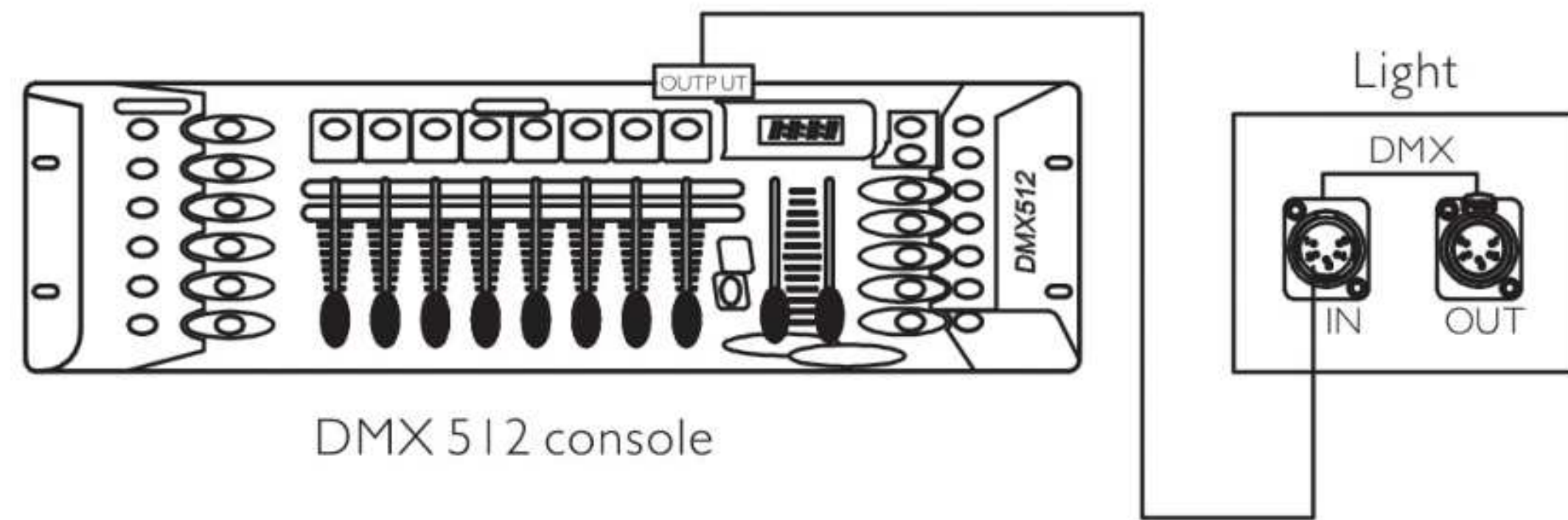
C-1080AV:

Press the function knob, it turns to DMX address adjustment mode and the data on LCD twinkles.

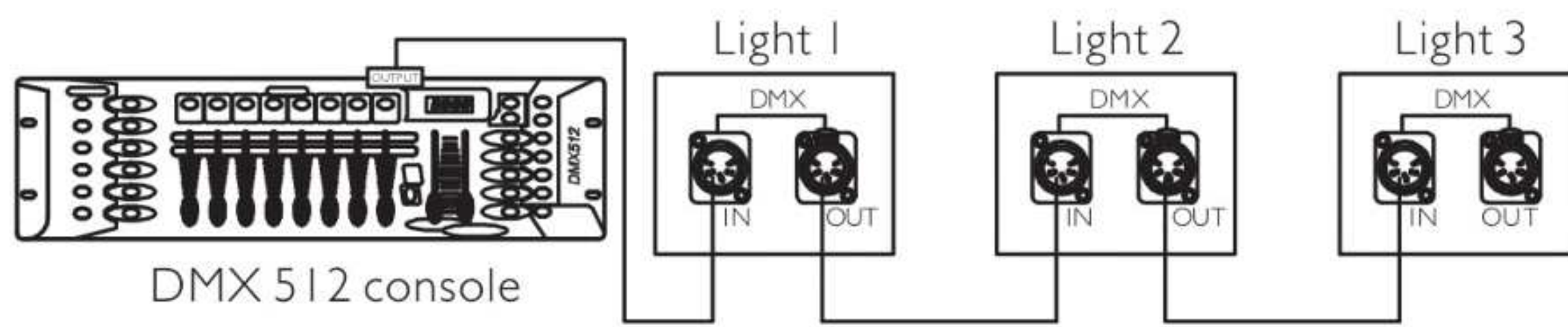
Now clockwise rotate the function knob to increase the number which shows the DMX address and anticlockwise rotate the knob to decrease. The address can be adjusted from 1 to 512.

In DMX address adjustment mode, wait for the data twinkling for 5 times to automatically return to brightness adjustment mode or manually press the function knob to return to brightness adjustment mode.

4. When using DMX, connect the DMX cord to the console as below. Set up the DMX address same as DMX console. Now the light is controlled by DMX signal.



DMX connection for single light



DMX connection for multiple lights

5. Please see below details of DMX address on LCD and corresponding channels on DMX console.

DMX address on LCD	Corresponding channel on DMX console (on single color light)	Corresponding channel on DMX console (on bi-color light)
1	1-1(Brightness)	1-1(Brightness), 1-2(Color Temperature)
2	1-2(Brightness)	1-2(Brightness), 1-3(Color Temperature)
.....
16	1-16(Brightness)	1-16(Brightness), 2-1(Color Temperature)
17	2-1(Brightness)	2-1(Brightness), 2-2(Color Temperature)
.....
511	32-15(Brightness)	32-15(Brightness), 2-16(Color Temperature)
512	32-16(Brightness)	X

6. For lights equipped with Sony V type or Anton Bauer battery plate, load batteries and the light will work.
7. If you need to rotate the light, just hold the handle on the back with one hand and loose the rotatable knob on the adjustable stand mount anti-clockwise. When in the right position, clockwise rotate the locking knob to tight it up.

Cautions:

1. It is no need to replace the LED bulbs in normal use. Please do not disassemble the light or solder the bulbs by the non-professionals.
2. Please do use the AC power adapter provided to avoid damage.
3. It is not allowed to crash the LCD touch screen with great force, or it may be damaged.
4. Keep the light surface clean, as dirt influence illuminance and color temperature.
5. When hanging the product, always using a safety cable.

Warranty:

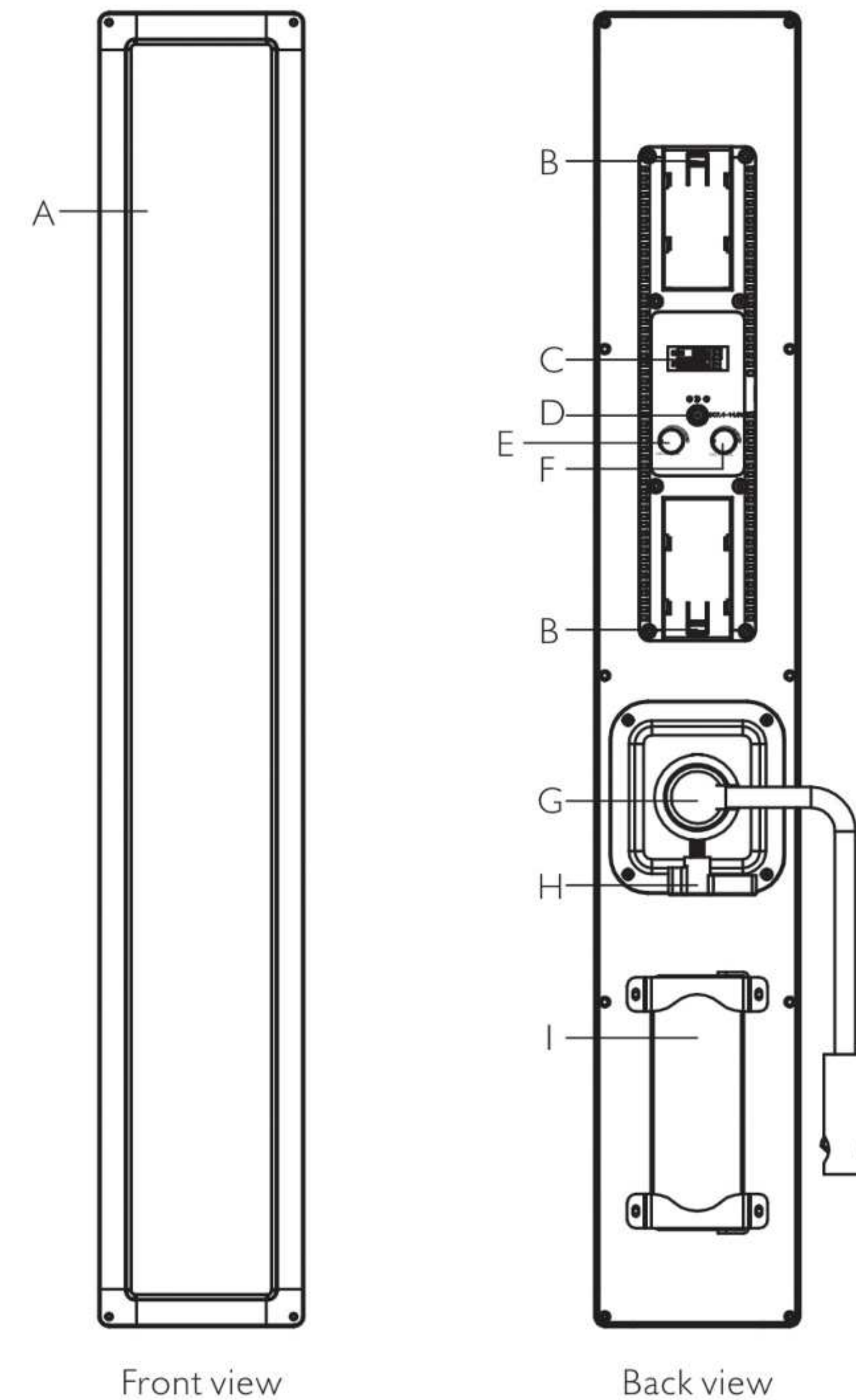
The LED light is guaranteed for 12 months.

C-608A, C-608AS



Characteristics:

1. C-608A is composed of 120pcs of ultra bright LEDs and C-608AS is composed of 240pcs of ultra bright LEDs with standard color temperature and long lifetime 50,000hrs after strict screen.
2. Lishuai initiates boutique way of lighting from the edge which is soft and free from glare.
3. It is delicately designed with ultra slim housing, heat-free and long lifetime.
4. External power supply available, convenient for outdoor use.
5. Big LCD screen displays the real-time data.
6. Safe and stable metal support of stand adapter.
7. LED heat-free technology assures the stable, consistent and accurate lighting output.
8. It is PWM integrated digital designed, dimmable from 10% to 100%, flicker-free.
9. C-608AS is absolutely flicker-free and optionally adjustable from 5600K to 3200K.
10. It is suitable for indoor and outdoor photography and videography, portrait photography and wedding photography, especially good for children photography.



Name of the parts

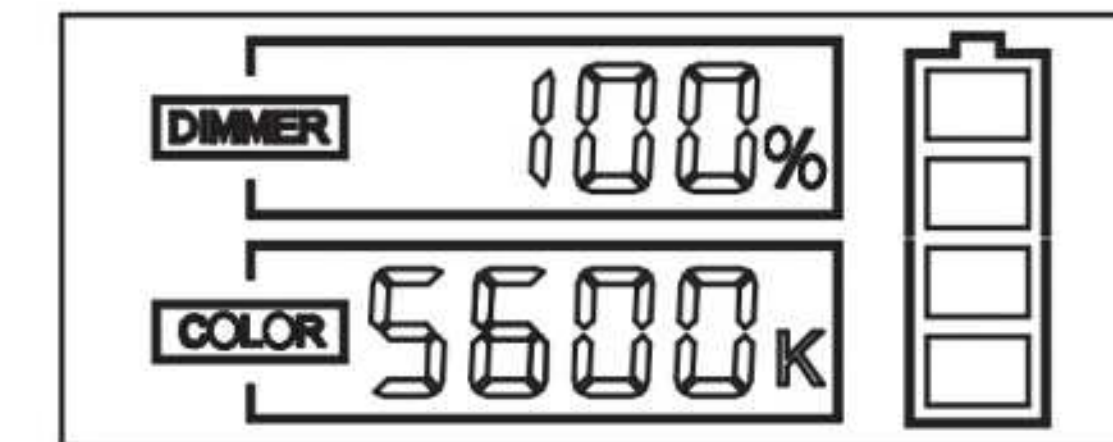
- | | | |
|--------------------------|------------------------------------|---------------------------|
| Ⓐ Front diffuser panel | Ⓑ Battery release button | Ⓒ LCD screen |
| Ⓓ DC input | Ⓔ CT dimming knob | Ⓕ Brightness dimming knob |
| Ⓖ Adjustable stand mount | Ⓗ Locking knob for the stand mount | Ⓖ AC power adapter |

Specifications:

SPEC	MODEL	C-608A	C-608AS
LED		120pcs of ultra bright LEDs	240pcs of ultra bright LEDs
Illuminance		1433Lux/0.5m, 470Lux/m, 167lux/2m	
Beam angle		75°	
Color temperature		5600K±300K/3200K±150K	3200K±150K~5600K±300K
CRI		Ra≥95	
Continuous working time		Approx 1.5 hrs	
Output power		60W	
Working voltage		AC100V-240V, DC13V-17V	
Battery type		Rechargeable lithium battery, 6600mAh, 7.4V	
Battery lifetime		Charge-discharge for 500 times	
Battery recharging time		Approx 8 hrs	
Battery capacity display		4periods	
Dimension		76.8 x 12.1 x 9.5cm	
Weight		2.9kg	
Accessories		2pcs 6600mAh lithium battery, Battery charger and (12V 2A)AC charger adapter, 15V 90W AC adapter, power cord, Safety cable, Carrying case	

Operation Instructions:

1. Apply the power to the light with the 15V 90W AC power adapter and power cord, turn it on and the light works.
2. On C-608A & C-608AS:
Clockwise rotate the Brightness dimming knob to increase the brightness while anti-clockwise rotate it to decrease the brightness until closed.
On C-608AS:
Clockwise rotate the CT dimming knob to increase the color temperature up to 5600K while anti-clockwise rotate it to decrease color temperature minimum to 3200K.
3. On C-608AS:
The upper side of LCD shows brightness 10%-100% and the bottom side shows the color temperature 3200K-5600K.
On C-608A:
The upper side of LCD shows brightness 10%-100% and The bottom side shows the fixed color temperature 5600K.



C-608A(S) LCD display

4. The LCD shows battery level:
4 columns: 75%-100%
3 columns: 50%-75%
2 columns: 25%-50%
1 column: 10%-25%
No column: 10% or less
Twinkling: means low battery capacity
5. Load 2pcs of 6600mAh batteries to power the light. When the battery icon flashing, it means the battery capacity is not enough. Please press the battery release button and take off the battery to charge. It takes approximately 8hrs to full charge the battery.
6. If you need to rotate the light, just hold the handle on the back with one hand and loose the rotatable knob on the adjustable stand mount anti-clockwise. When in the right position, clockwise rotate the locking knob to tight it up.

Cautions:

1. It is no need to replace the LED bulbs in normal use. Please do not disassemble the light or solder the bulbs by the non-professionals.
2. Keep the light surface clean, as dirt influence illuminance and color temperature.
3. Please do not take off the battery when in storage.
4. The 12V 1A and 12V 2A adapters are used for battery charging only. Please do not use it on the light directly.
5. The 2pcs of batteries provided are required to be loaded to power the light. And the protective current of the battery is required to be 4A and above.
6. Please charge and discharge batteries at least 1 time per month if they are not in use.
7. It is not allowed to drop or impact the battery to avoid fire.
8. It is not allowed to short circuit the battery, or it may seriously damage the battery or cause fire.
9. It is not allowed to throw the battery into fire.

Warranty:

The LED light is guaranteed for 12 months.
The battery is guaranteed to be charged and discharged for 500 times.