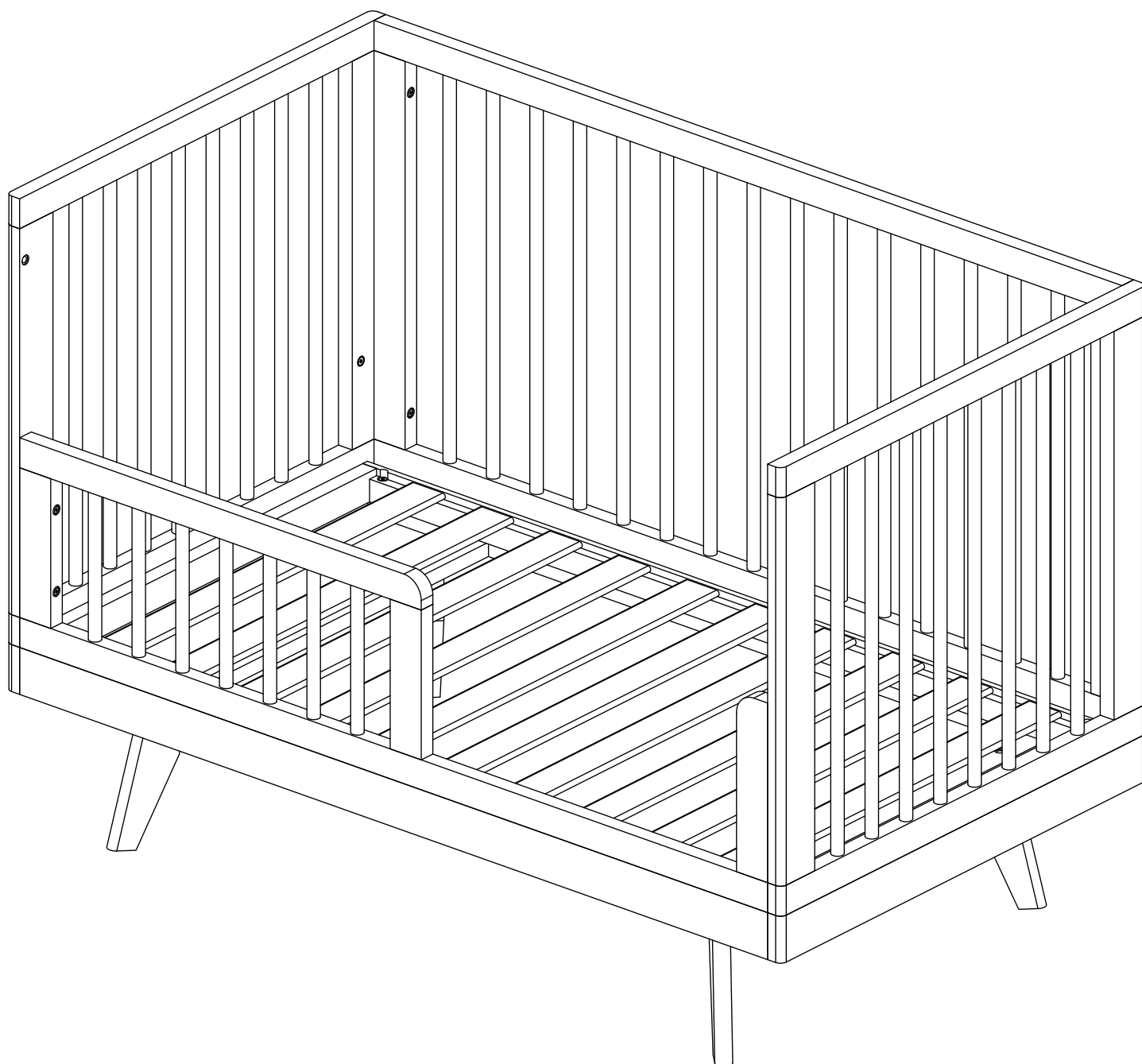


RIO BEDGUARD

ASSEMBLY INSTRUCTION

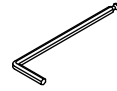


- The manufacturer's assembly instructions must be followed in detail to ensure the safety features to the cot are not compromise
- To clean surface use only water on a damp cloth. Do not use window cleaners or cleaning abrasives as it will scratch the surface and could damage the protective coating.

HARDWARE INVENTORY

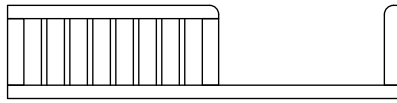


A. 65MM ALLEN HEAD BOLT
(6 PCS)



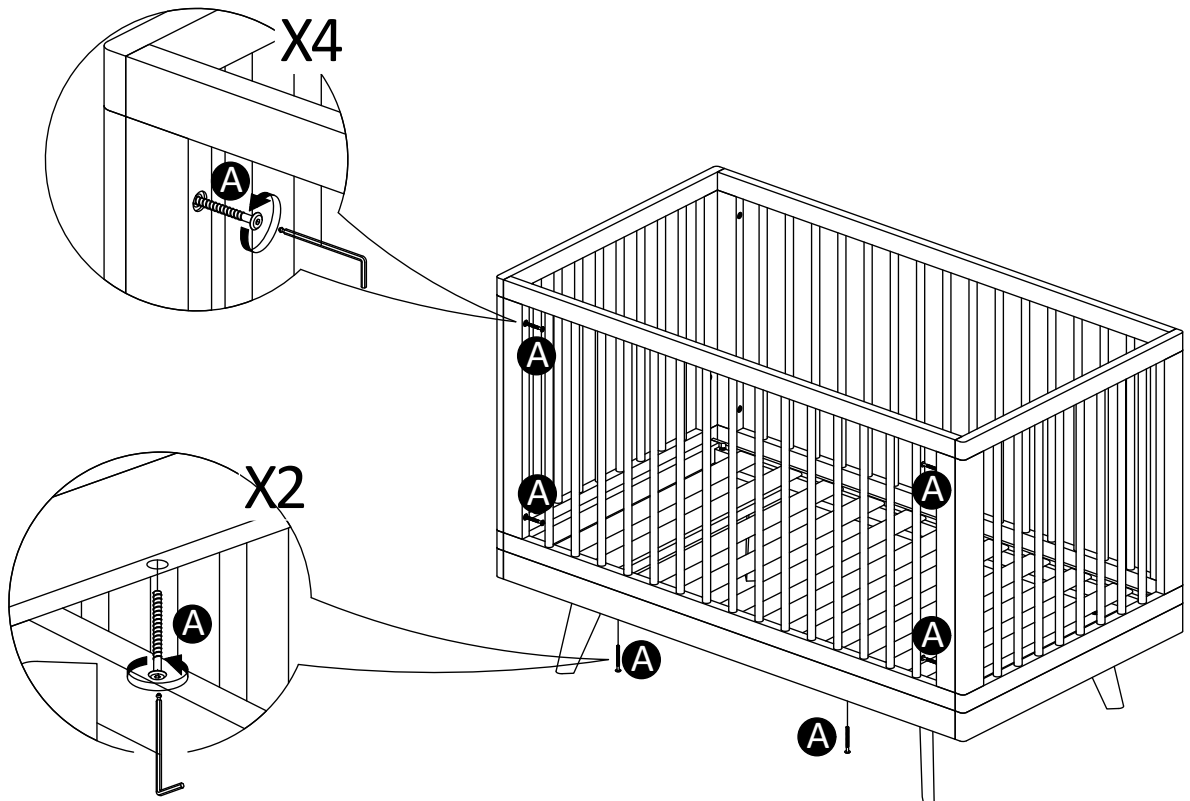
F. ALLEN WRENCH
(1 PC)

PARTS LIST

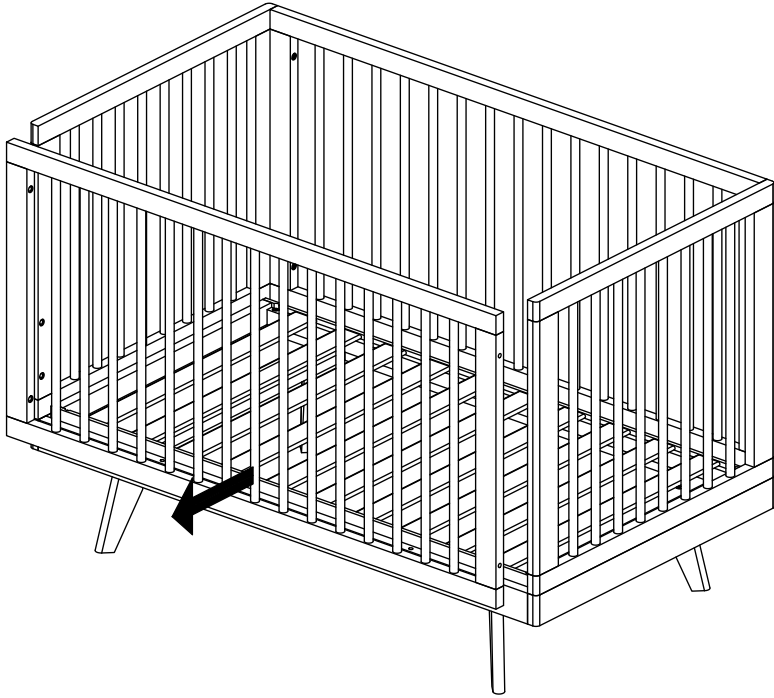


7. BEDGUARD
(1 PC)

STEP 1



STEP 2



STEP 3

