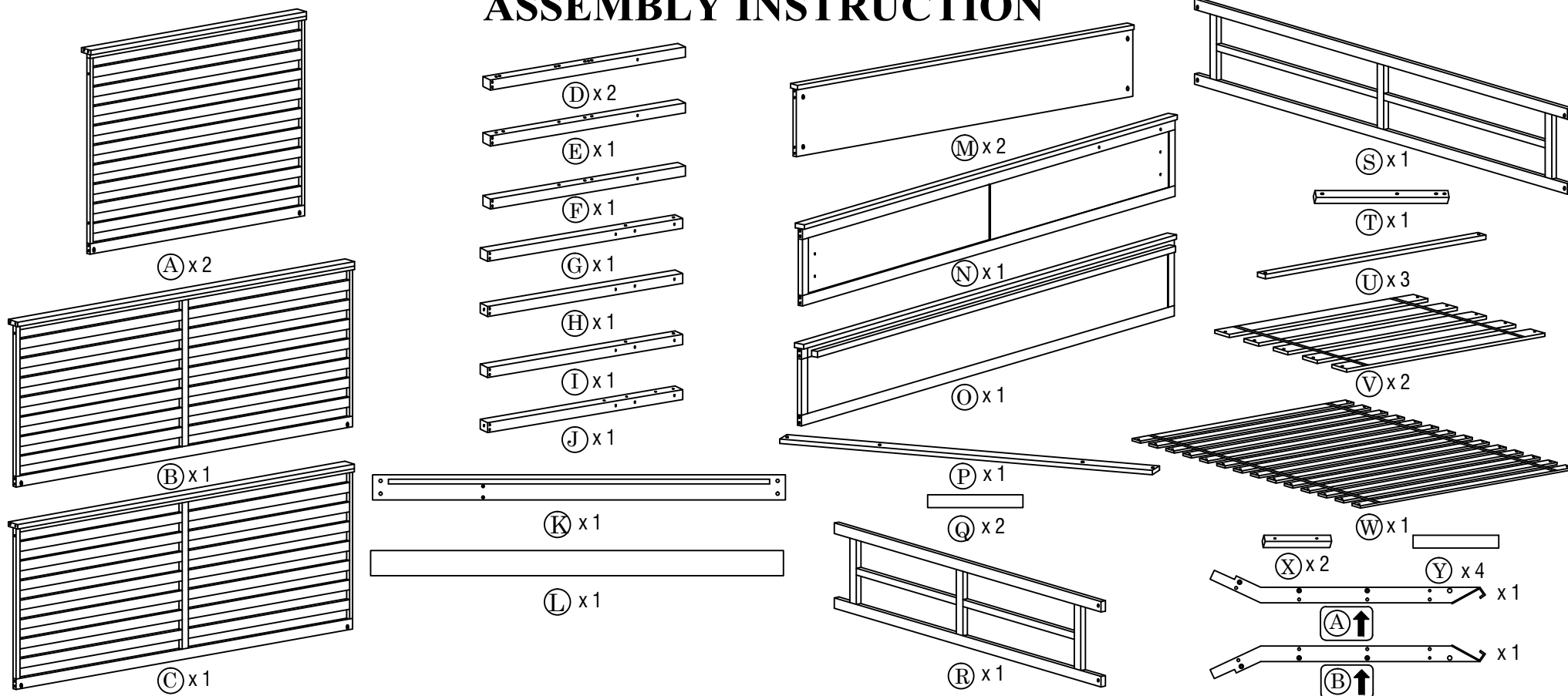



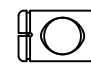

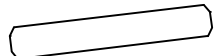
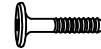
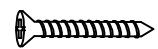
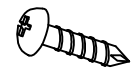
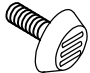




# B2C FURNITURE RIO TRIPLE BUNK BED


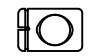


## ASSEMBLY INSTRUCTION







|   |      |   |      |  |     |   |      |   |      |   |     |
|---|------|---|------|--|-----|---|------|---|------|---|-----|
| 1.  | x 54 | 2.  | x 6  | 3.   | x 1 | 4.  | x 38 | 5.  | x 42 | 6.  | x 4 |
|  |      |  |      |  |     |  |      |  |      |  |     |
| M6 x 90mm   |      | M6 x 40mm   |      | M4 ALLEN KEY   |     | M6 x 13mm   |      | M8 x 30mm   |      | M9.5 x 105mm  |     |
| 7.  | x 10 | 8.  | x 52 | 9.   | x 4 | 10.   | x 2  | 11.   | x 2  | 12.   | x 6 |
|  |      |  |      |  |     |  |      |  |      |  |     |
| M6 x 50mm   |      | M4 x 32mm   |      | PAN SCREW M4 x 20mm  |     | Adjuster  |      | M3.5 x 16mm   |      | M6 x 20mm   |     |

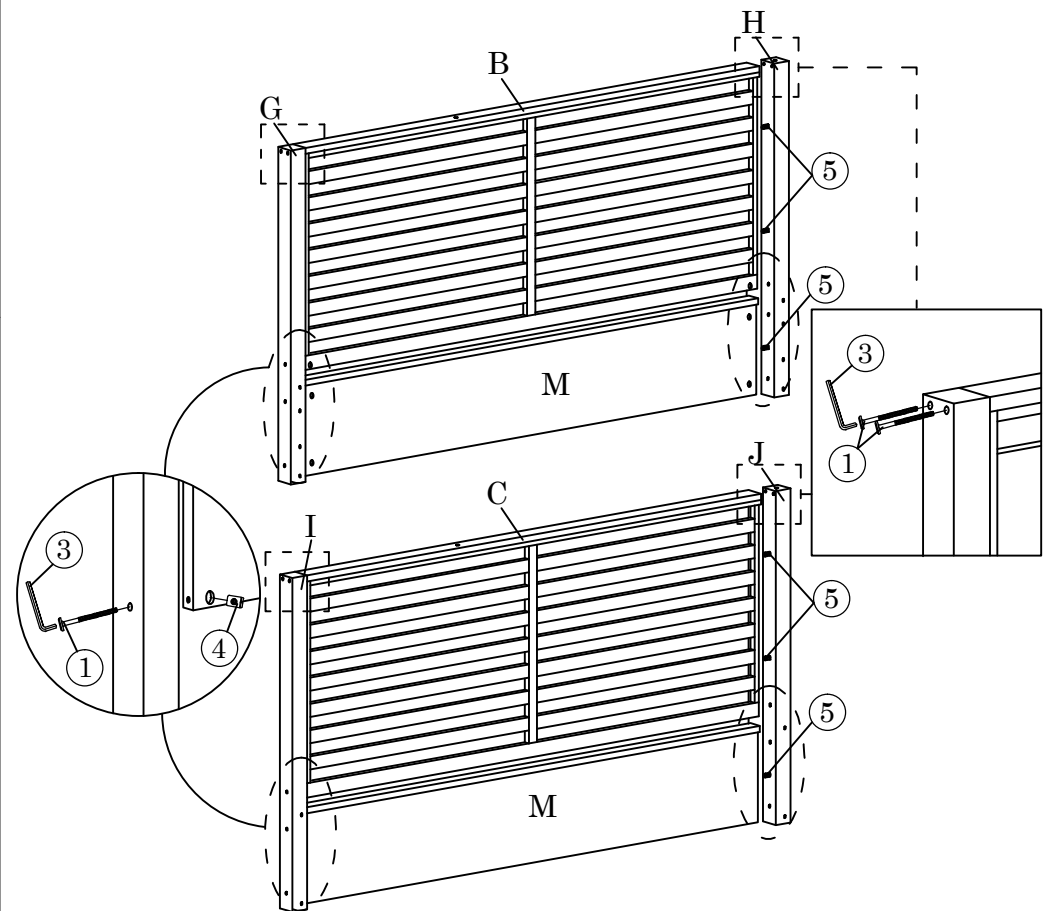
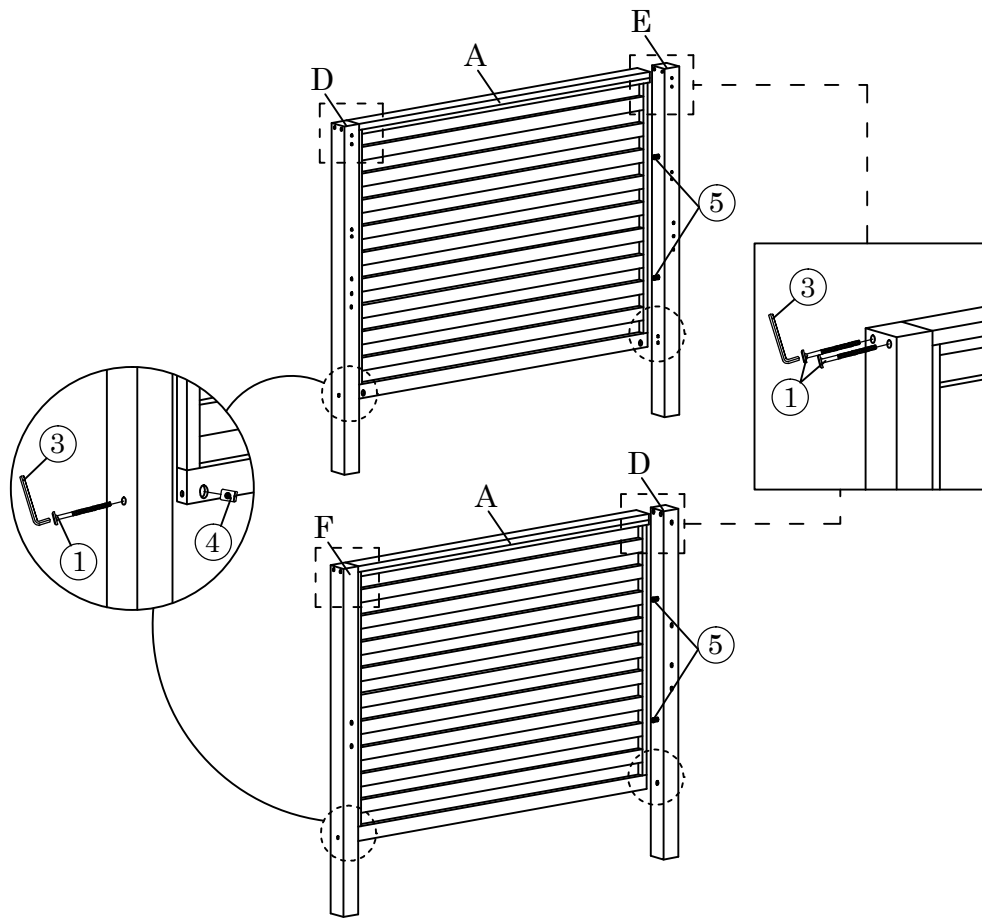
# RIO TRIPLE BUNK BED

1

|  |   |
|--|---|
| 1.  x 12<br>M6 x 90mm | 4.  x 4<br>M6 x 13mm |
| 5.  x 8<br>M8 x 30mm  | 3.  x 1             |


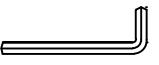
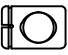

2

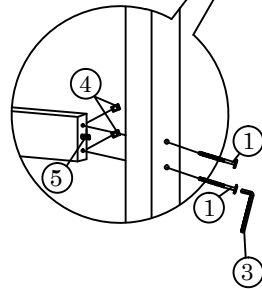
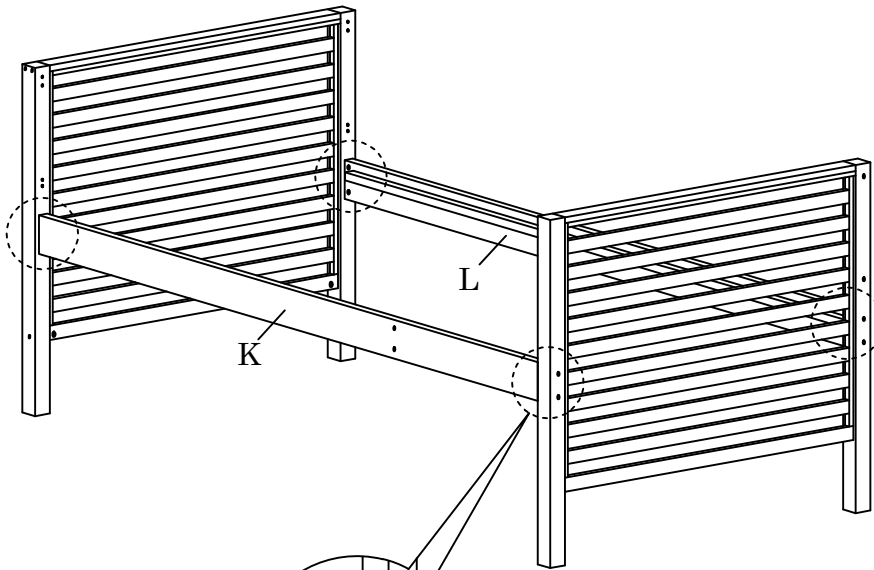
|  |  |
|--|--|
| 1.  x 20<br>M6 x 90mm | 4.  x 12<br>M6 x 13mm |
| 5.  x 12<br>M8 x 30mm | 3.  x 1               |





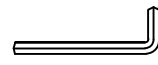
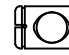

# RIO TRIPLE BUNK BED

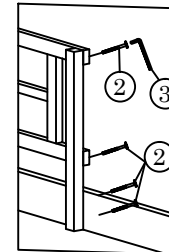
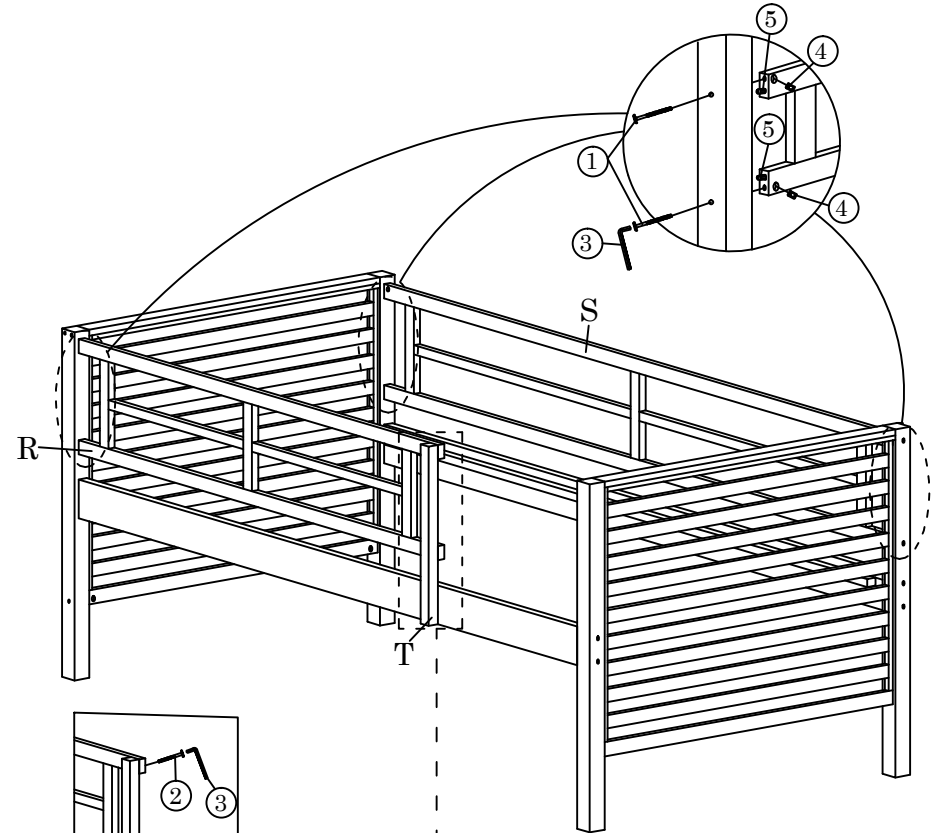
3

|   |   |
|---|---|
| 1.  x 8<br>M6 x 90mm | 3.  x 1              |
| 4.  x 8<br>M6 x 13mm | 5.  x 4<br>M8 x 30mm |

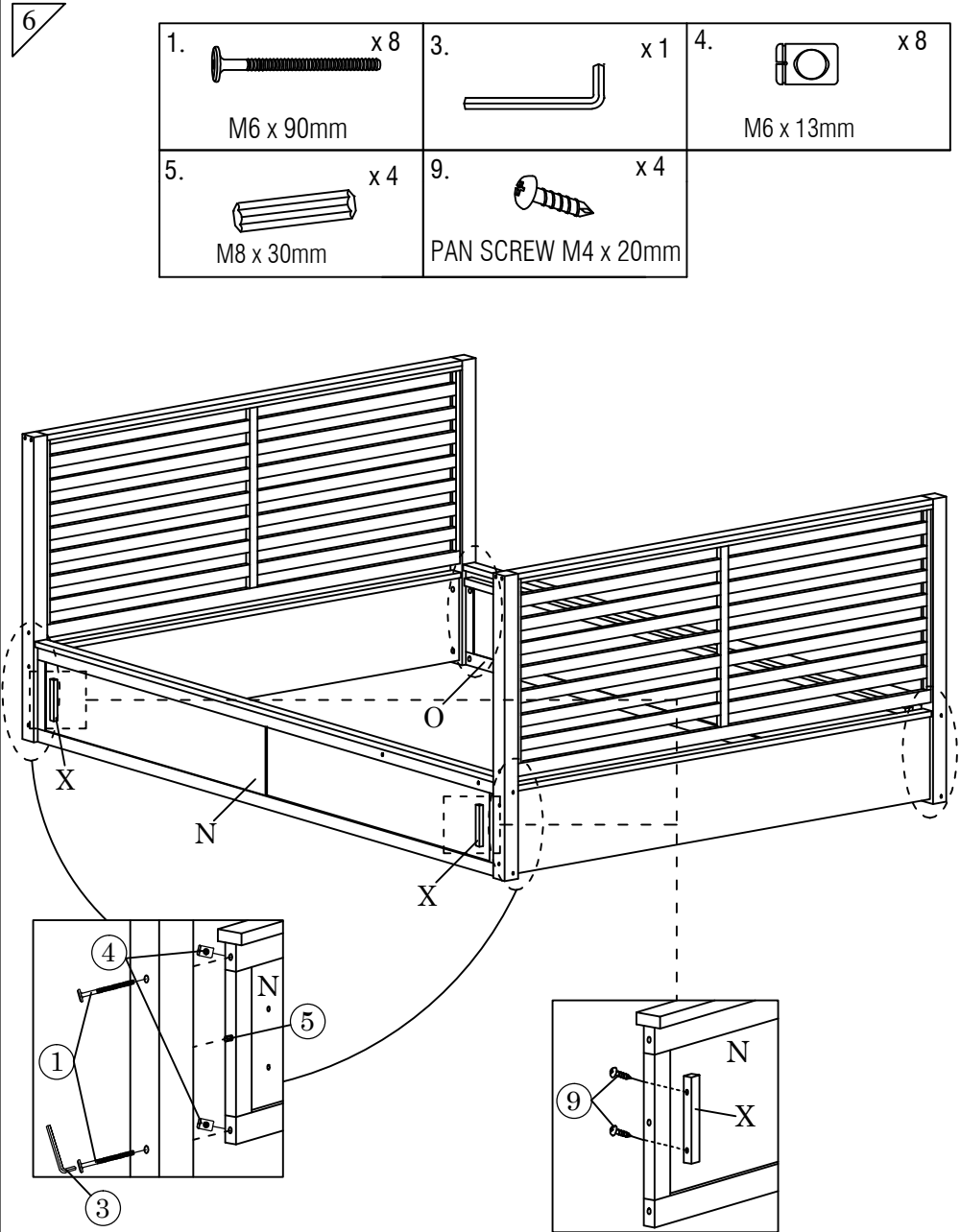
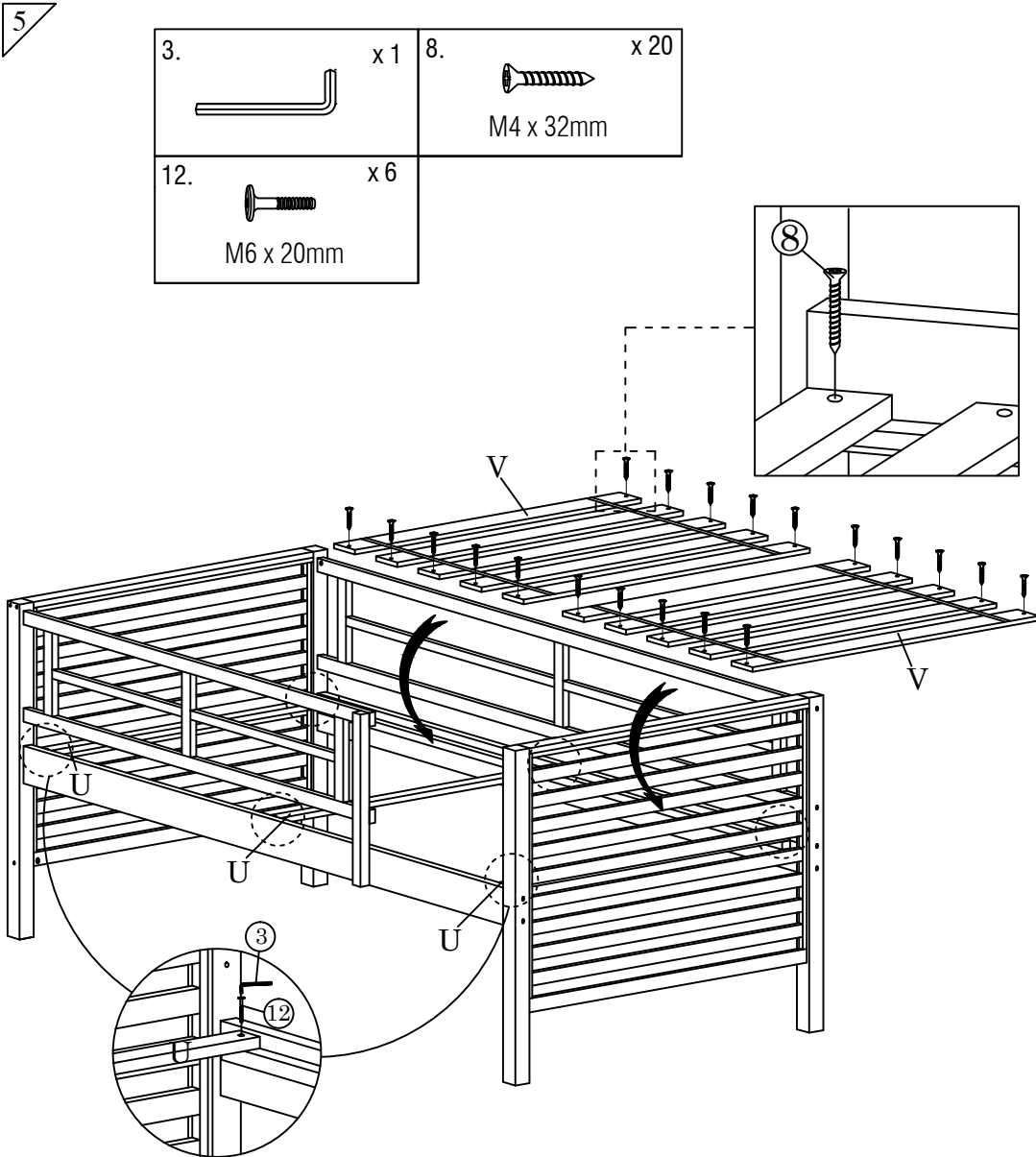


4

|   |   |  |
|---|---|--|
| 1.  x 6<br>M6 x 90mm | 2.  x 4<br>M6 x 40mm | 3.  x 1 |
| 4.  x 6<br>M6 x 13mm | 5.  x 6<br>M8 x 30mm |  |


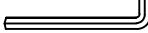
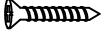



# RIO TRIPLE BUNK BED

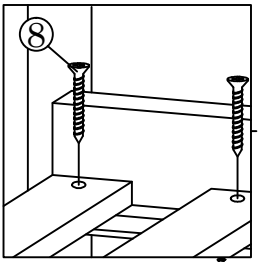


# RIO TRIPLE BUNK BED

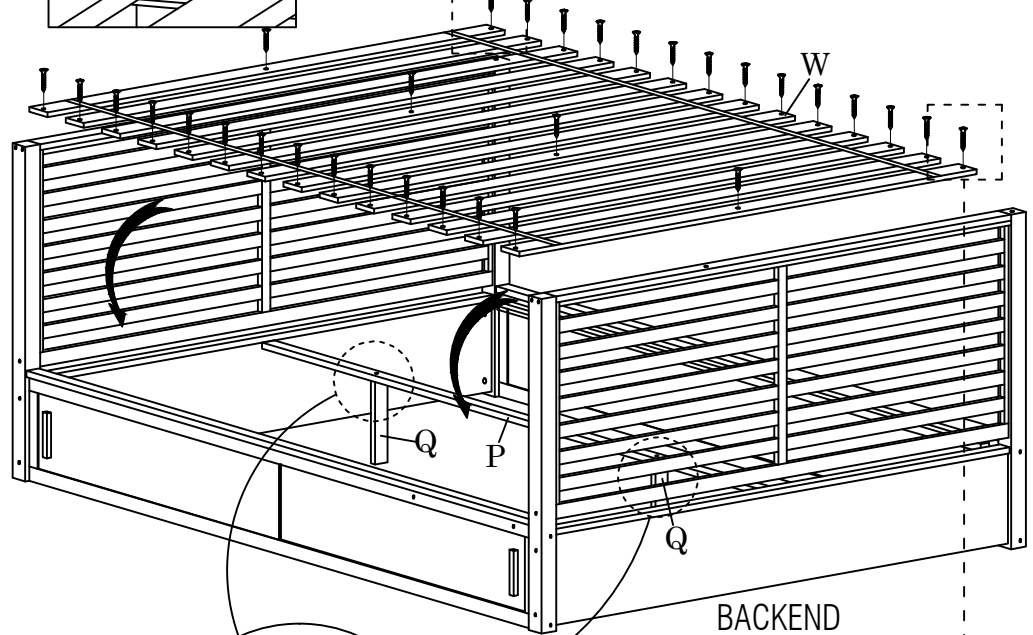
7

- |   |  |  |  |
|---|--|--|--|
| 2.  x 2<br>M6 x 40mm | 3.  x 1 | 8.  x 32<br>M4 x 32mm | 10.  x 2<br>Adjuster |
|---|--|--|--|

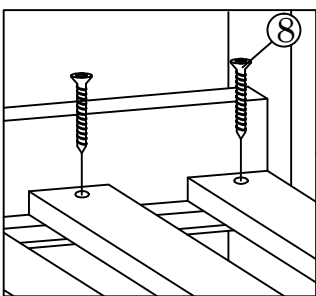
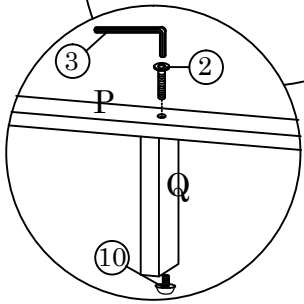
FRONTEND



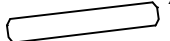
"You must screw in each and every Slat with screws provided - please note that failure to do so will affect the structural integrity of the bed"

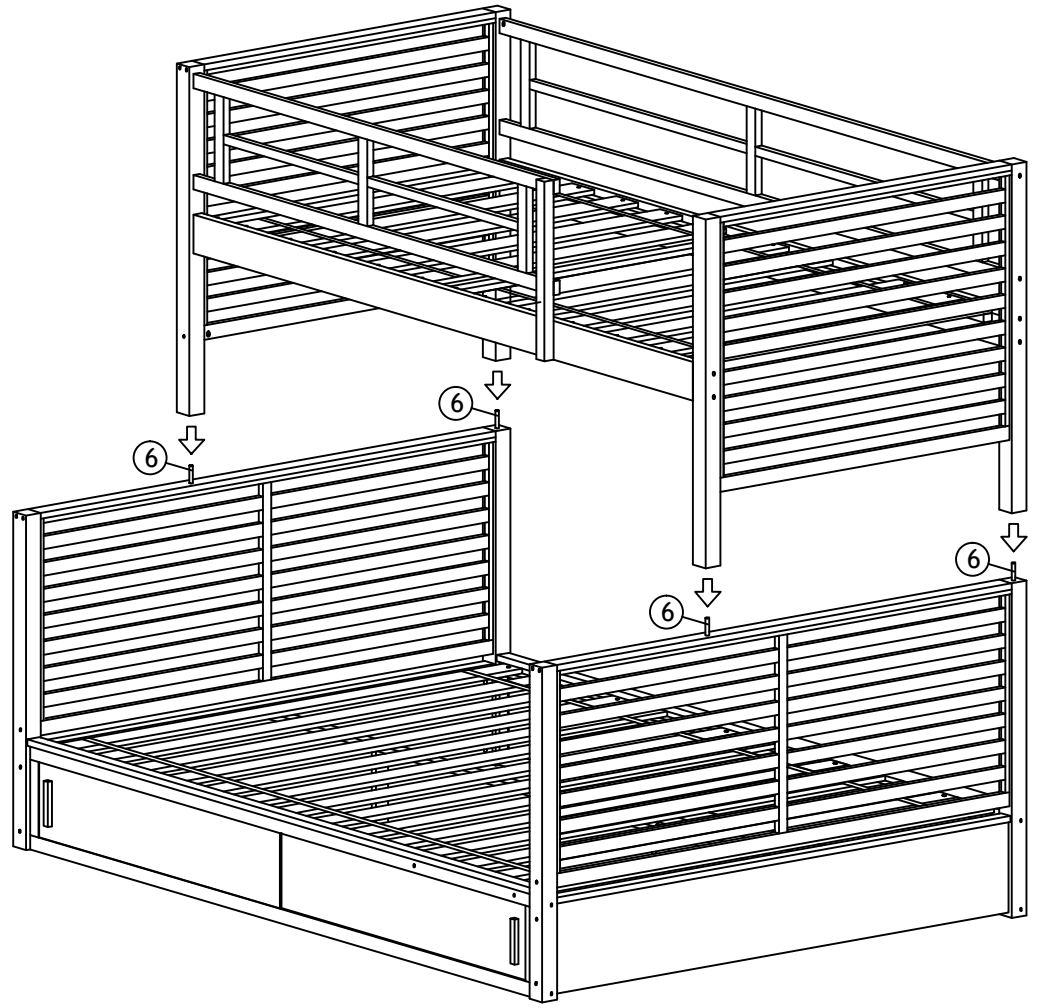


BACKEND



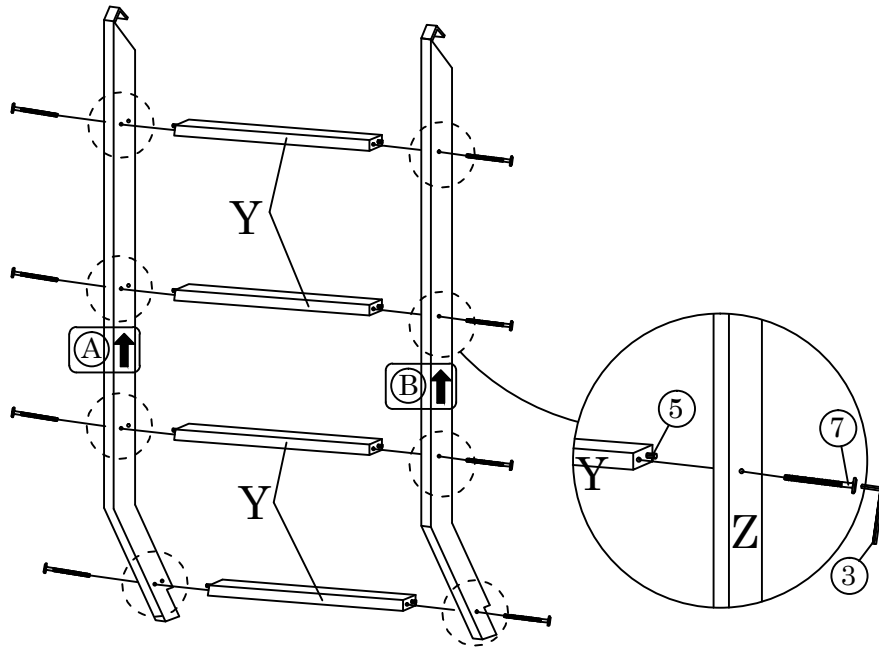
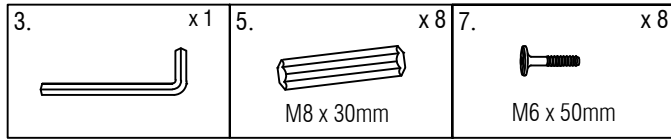
8

- |  |
|--|
| 6.  x 4<br>M9.5 x 105mm |
|--|

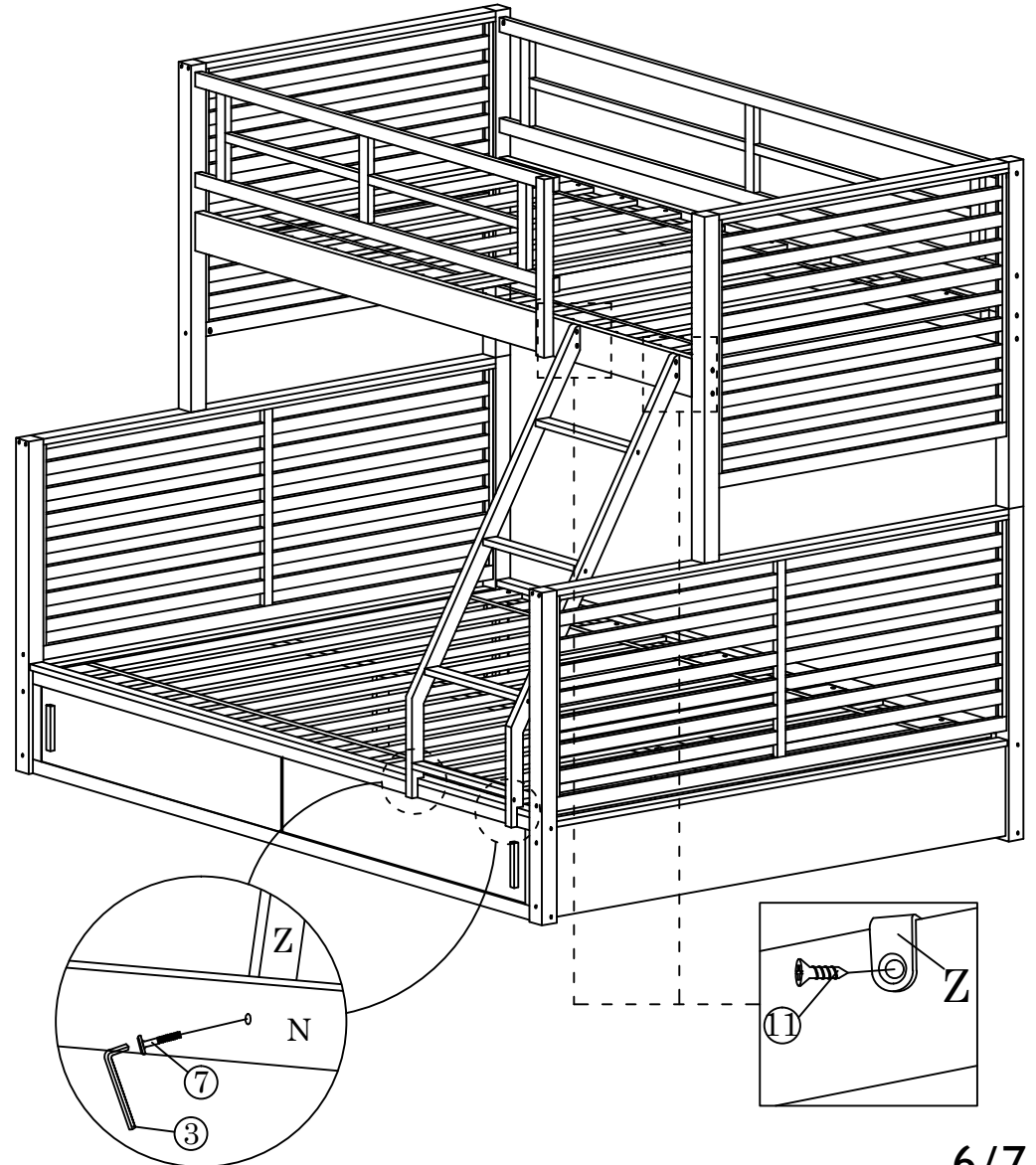
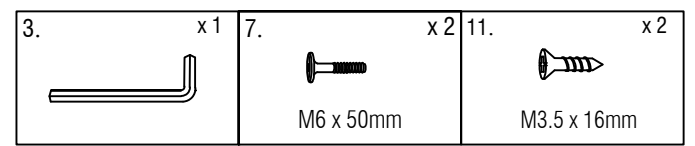


# RIO TRIPLE BUNK BED

9



10



# RIO TRIPLE BUNK BED

11

