



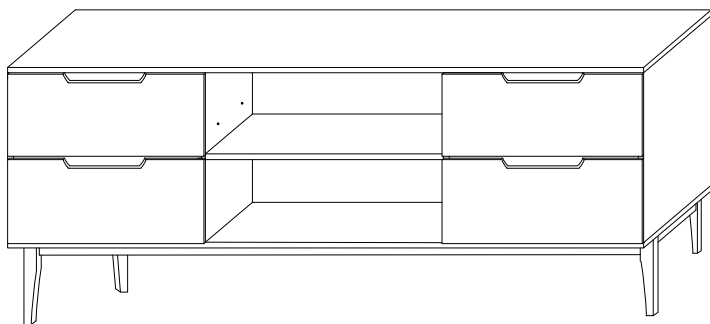
# B2C FURNITURE

## MODERN HARDWOOD FURNITURE

### PARIS / CANNES ENTERTAINMENT UNIT ASSEMBLY INSTRUCTIONS

PARTS LIST			
No.	HARDWARE		Qty.
A	JCBC M6 X 45 MM		4
B	MINI FIX		12
C	SPRING WASHER M6		4
D	FLAT WASHER M6		4
E	CSK M4 X 30MM		40
F	CSK M3.5 X 16MM		34
G	Allen Key Ball Shape M4		1
H	Shelf Support		4
I	Dowel M6 X 30		48
J	Dowel M8 X 30		16

PARTS LIST		
No.	PART LIST FOR FRAME	Qty.
1	TOP PANEL	1
2	BOTTOM PANEL	1
3	SIDE PANEL	2
4	MIDDLE PANEL	2
5	SHELF	1
6	LEGS	4
7	DRAWER SUPPORT	4
8	DRAWER FRONT	4
9	DRAWER SIDE	8
10	DRAWER BOTTOM	4
11	DRAWER BACK	4
12	SUPPORT WOOD	2
13	BACK PANEL	1

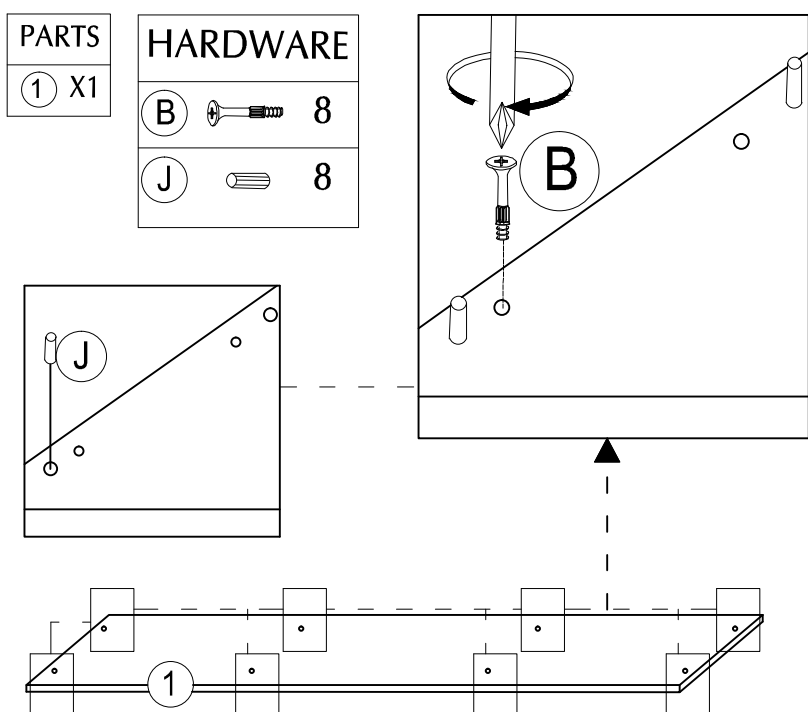


**Assembly Tips:**  
 Remove hardware from box and sort by the size parts and hardware for frame and drawers to check that all hardware and parts are present before assembling. Follow instructions below in proper sequence to ensure fast, easy and correct assembly.

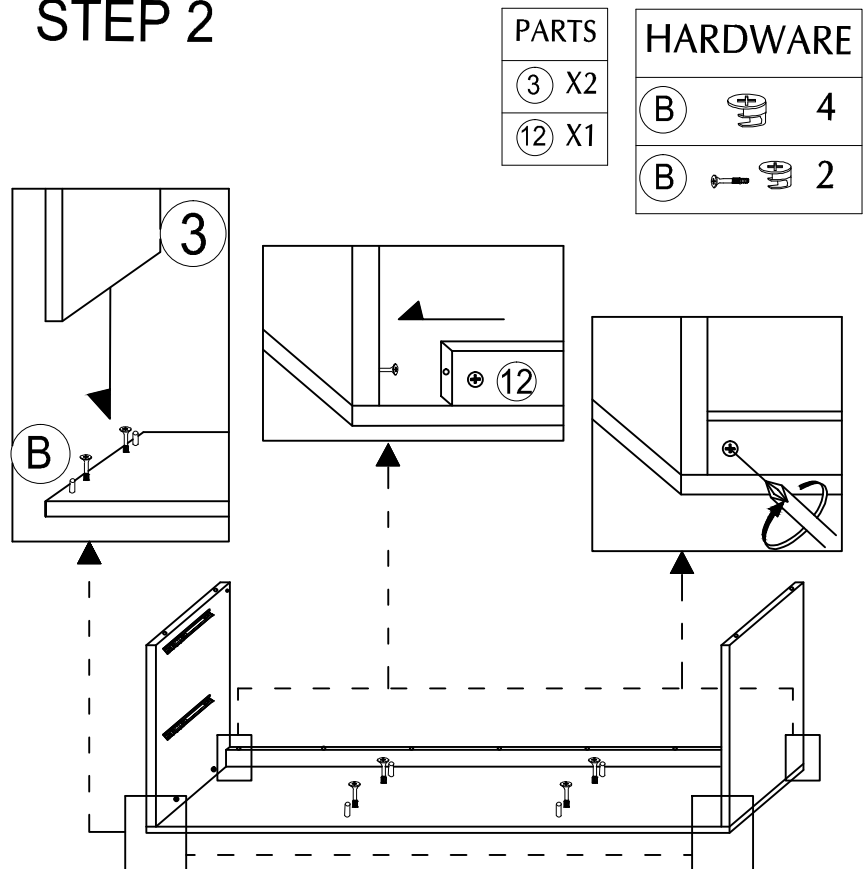
**Recommended for assembly:**



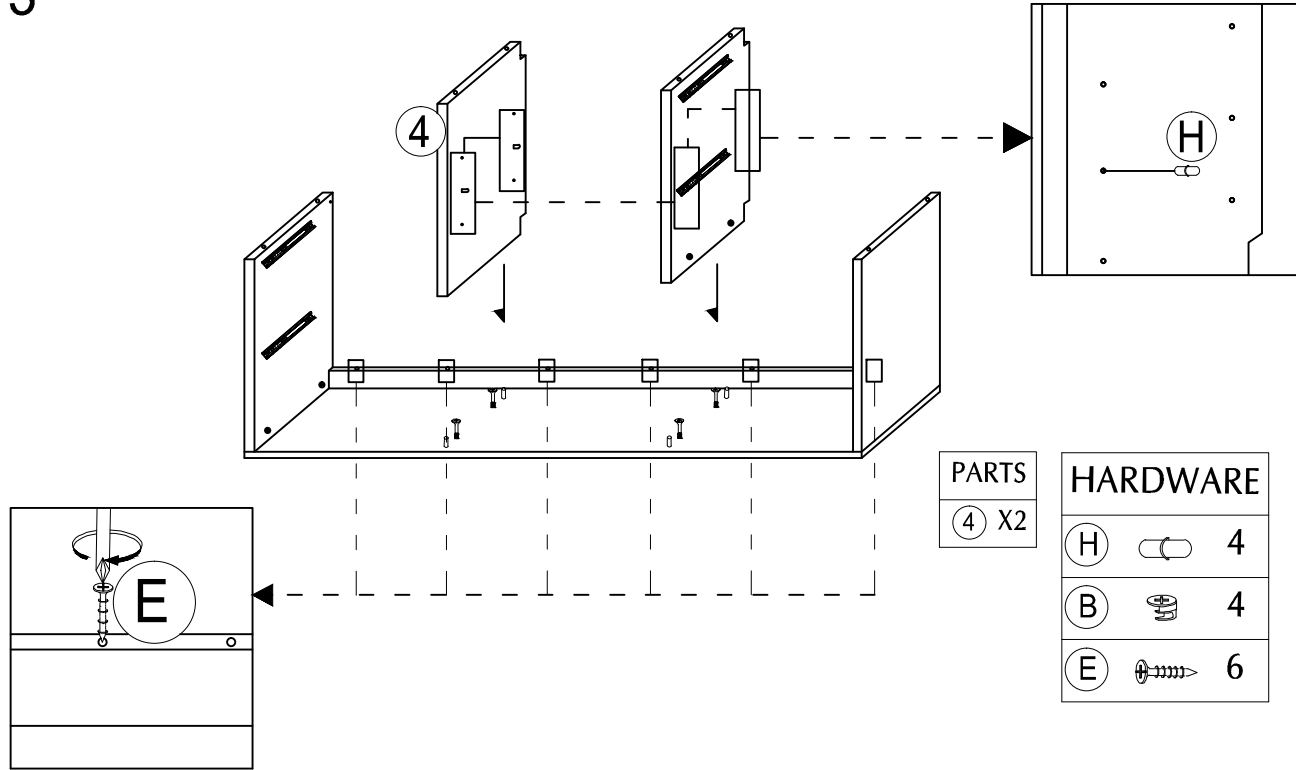
### STEP 1



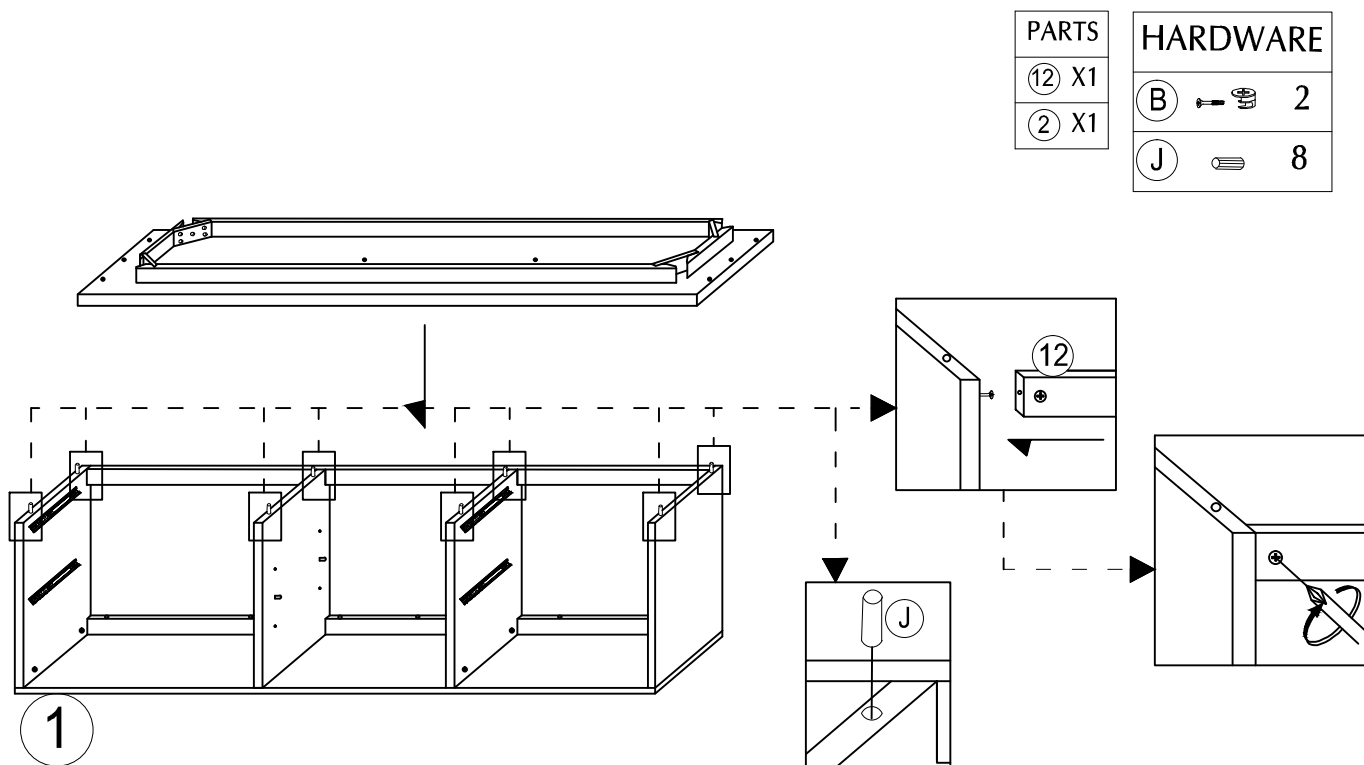
### STEP 2



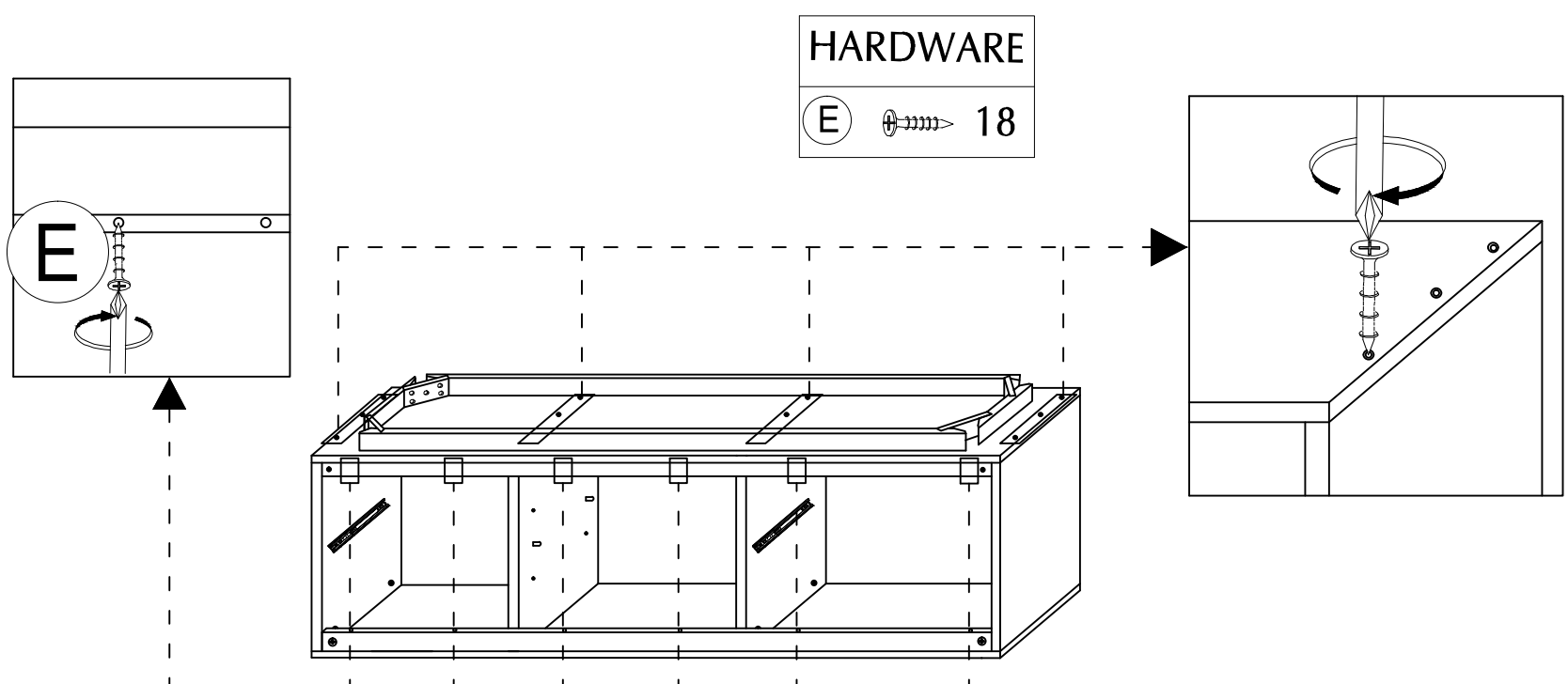
### STEP 3



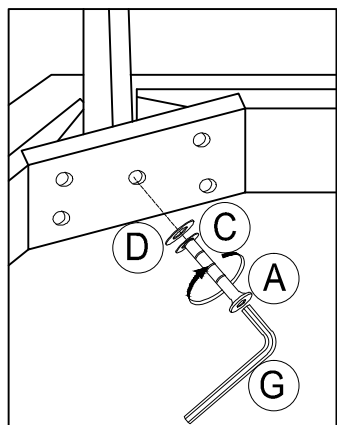
### STEP 4



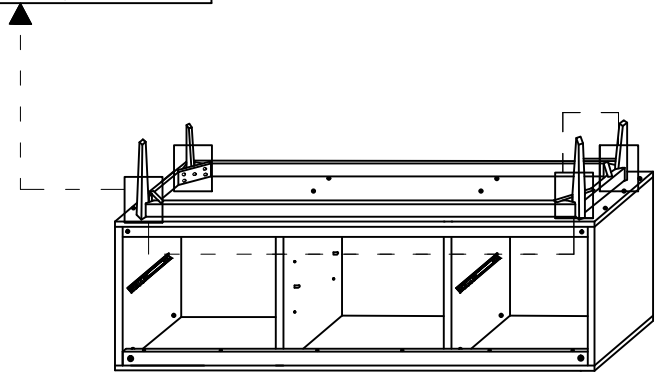
### STEP 5



### STEP 6

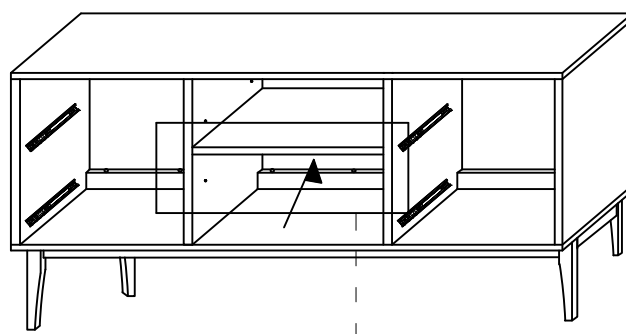
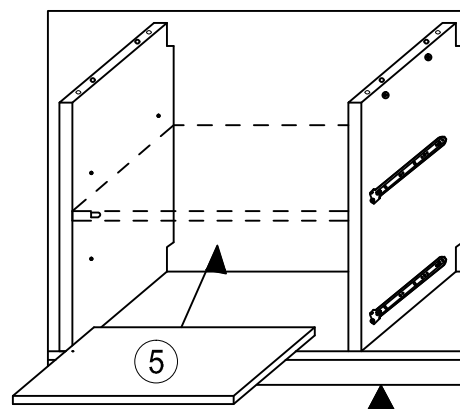


PARTS	HARDWARE
6 X4	G 1
	A 4
	C 4
	D 4

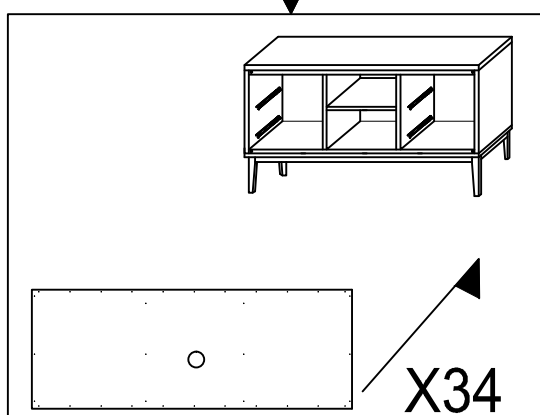
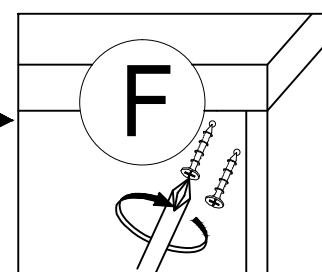
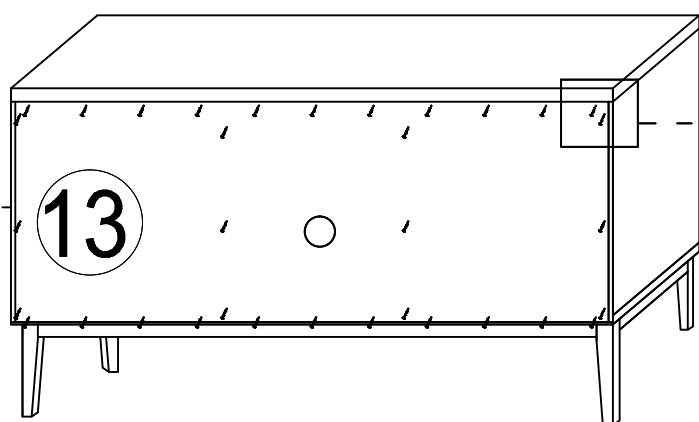


### STEP 7

PARTS
5 X1

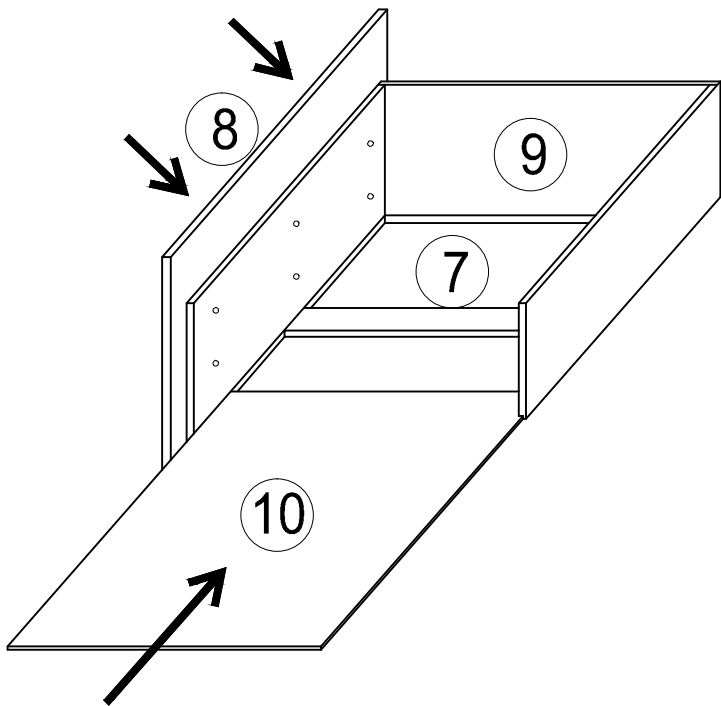
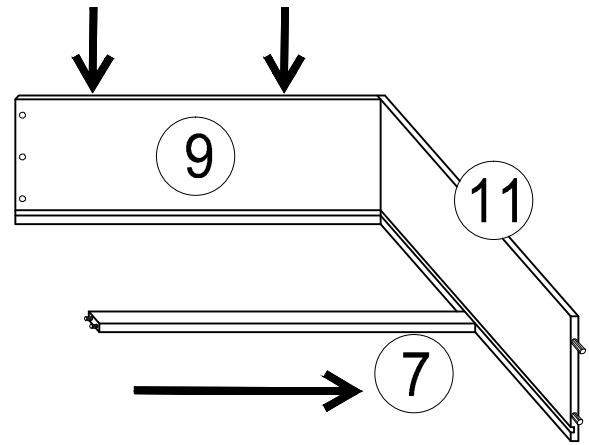
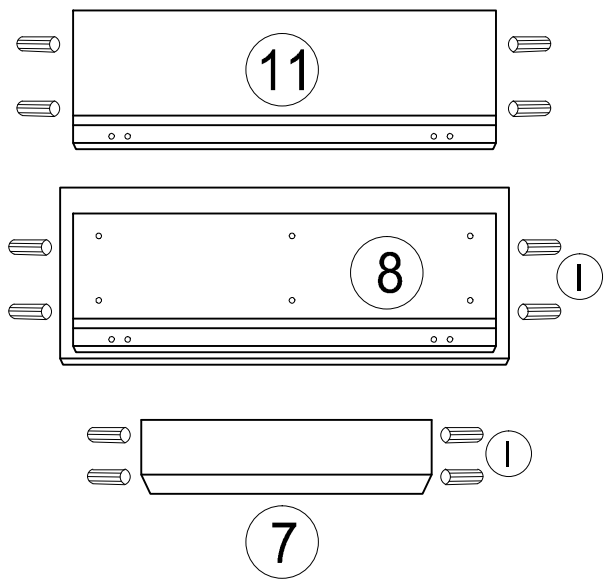


### STEP 8

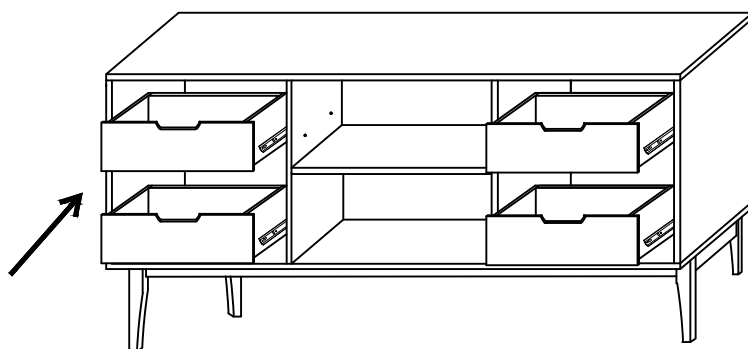
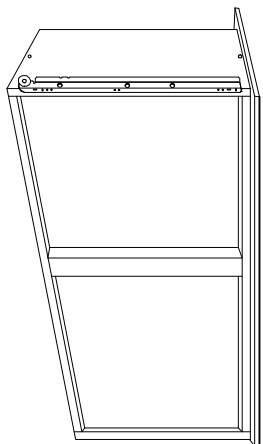
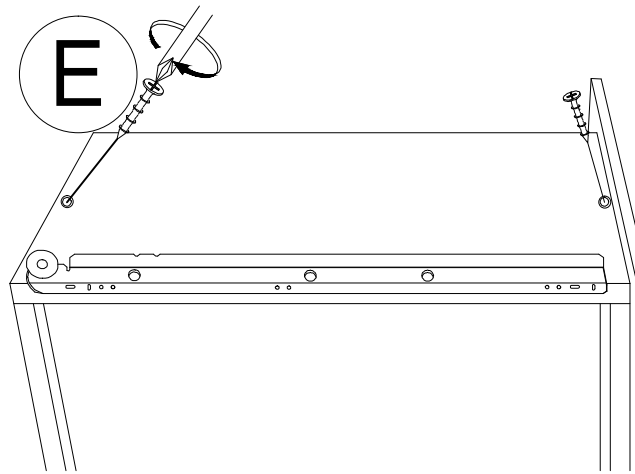


PARTS	HARDWARE
13 X1	F 34

# STEP 9



Drawer assembly completed



Assembly completed

PARTS		HARDWARE	
7	X4	E	16
8	X4	I	48
9	X8		
10	X4		
11	X4		