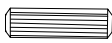


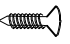
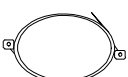




# B2C FURNITURE

## MODERN HARDWOOD FURNITURE

### MYER 6 DRAWERS HIGH CHEST ASSEMBLY INSTRUCTIONS

PARTS LIST		
No.	HARDWARE	Qty.
A	Dowel ( 8 X 30 ) 	24
B	Dowel ( 6 X 30 ) 	80
C	Screw ( 4 X 30 ) 	52
D	Panhead ( 3.5 X 16 ) 	34
E	Anti Tipping Kit 	1

PARTS LIST		
No.	PART LIST FOR FRAME	Qty.
1	Left side panel	1
2	Front Panel	1
3	Right Side Panel	1
4	Mid Partition between top drawers	1
5	Back support bar w/ 3 holes (for top)	1
6	Back support bar w/ 1 holes (middle)	1
7	Back support bar with no holes (bottom)	1
8	Top panel	1
9	Back Panel	1
10	Drawer front (Small)	2
11	Drawer front (Big)	4
12	Drawer Left	6
13	Drawer Right	6
14	Drawer bottom	6
15	Drawer back	6
16	Drawer support	8

#### Assembly Tips:

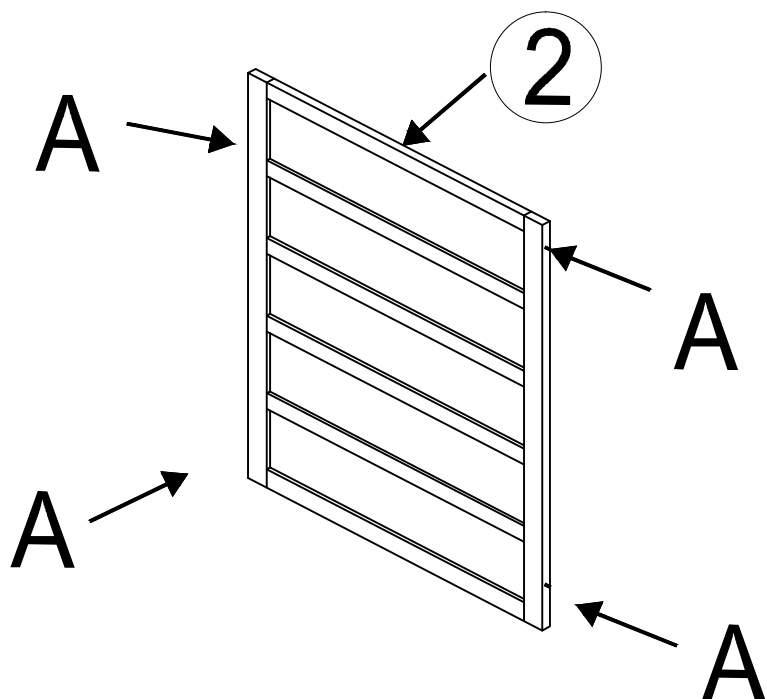
Remove hardware from box and sort by the size parts and hardware for frame and drawers to check that all hardware and parts are present before assembling. Follow instructions below in proper sequence to ensure fast, easy and correct assembly.

Recommended for assembly:

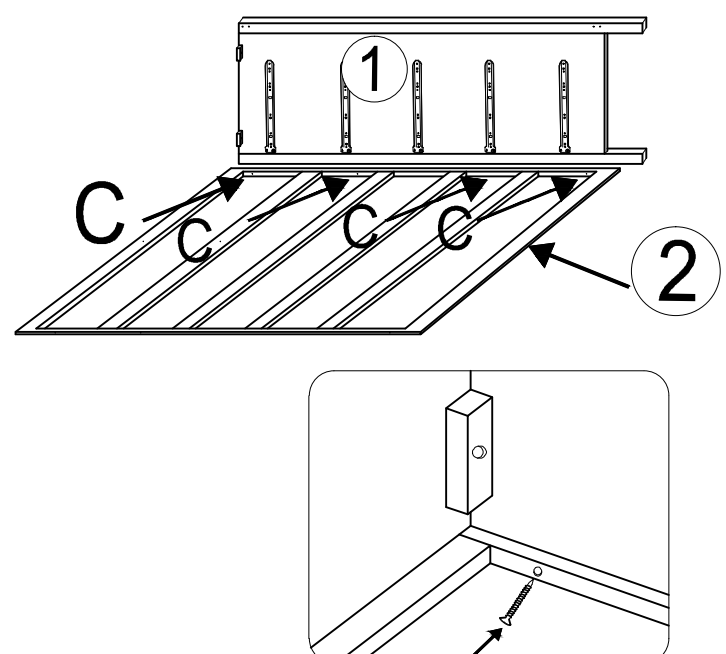


## CABINET ASSEMBLY

### Step 1

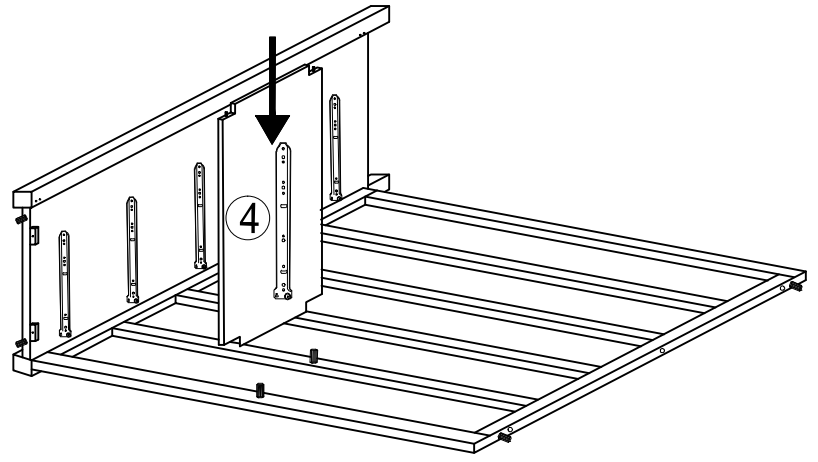
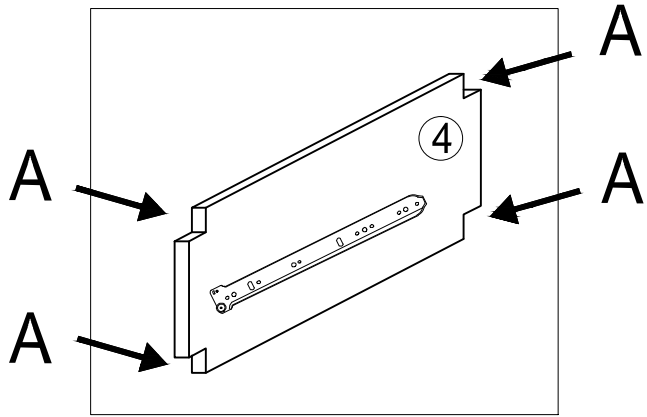


### Step 2

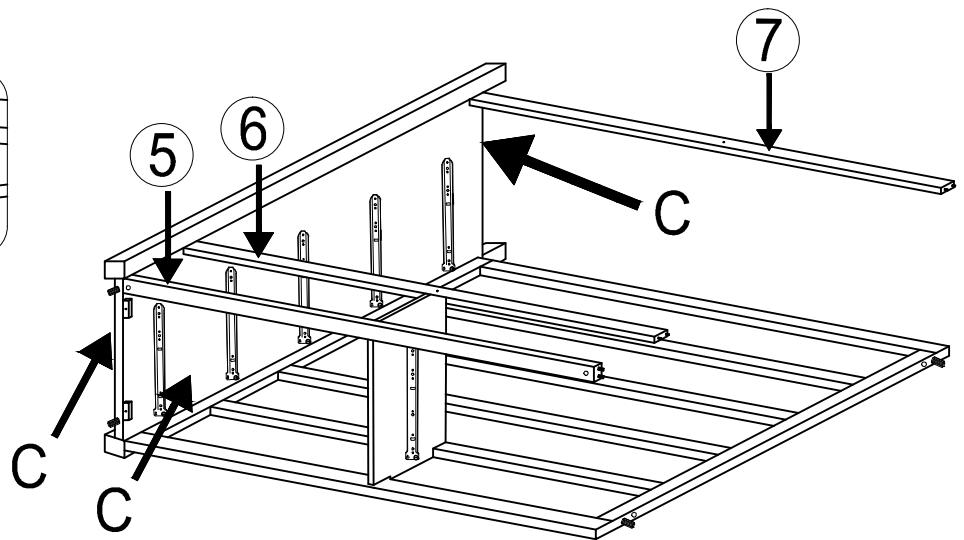
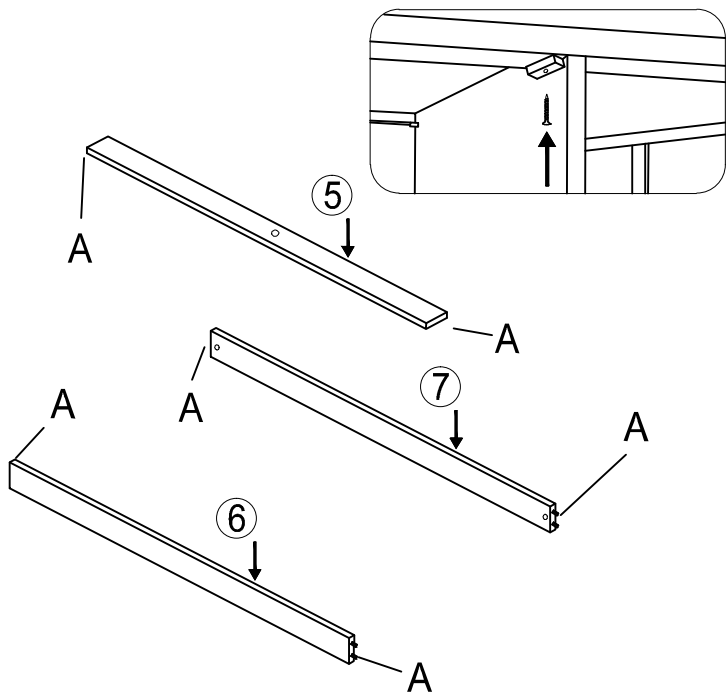


# CABINET ASSEMBLY

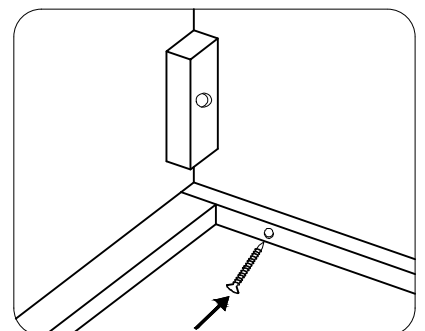
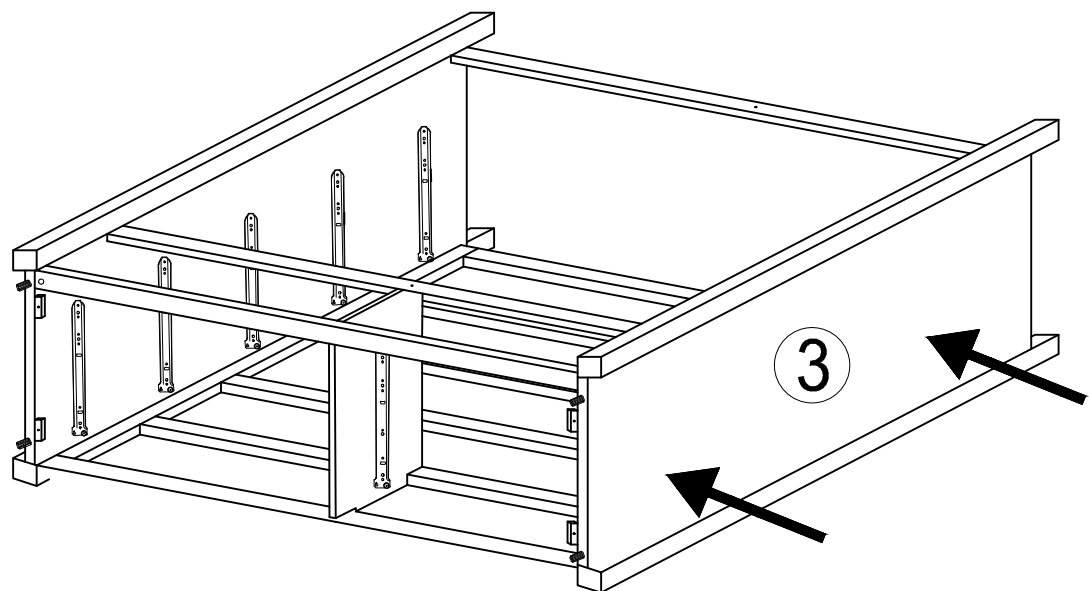
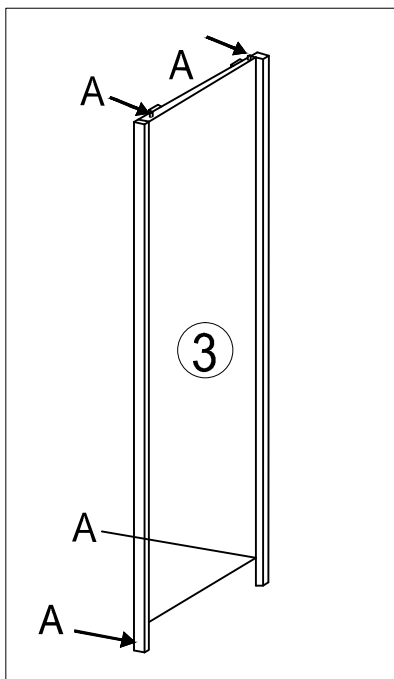
## Step 3



## Step 4

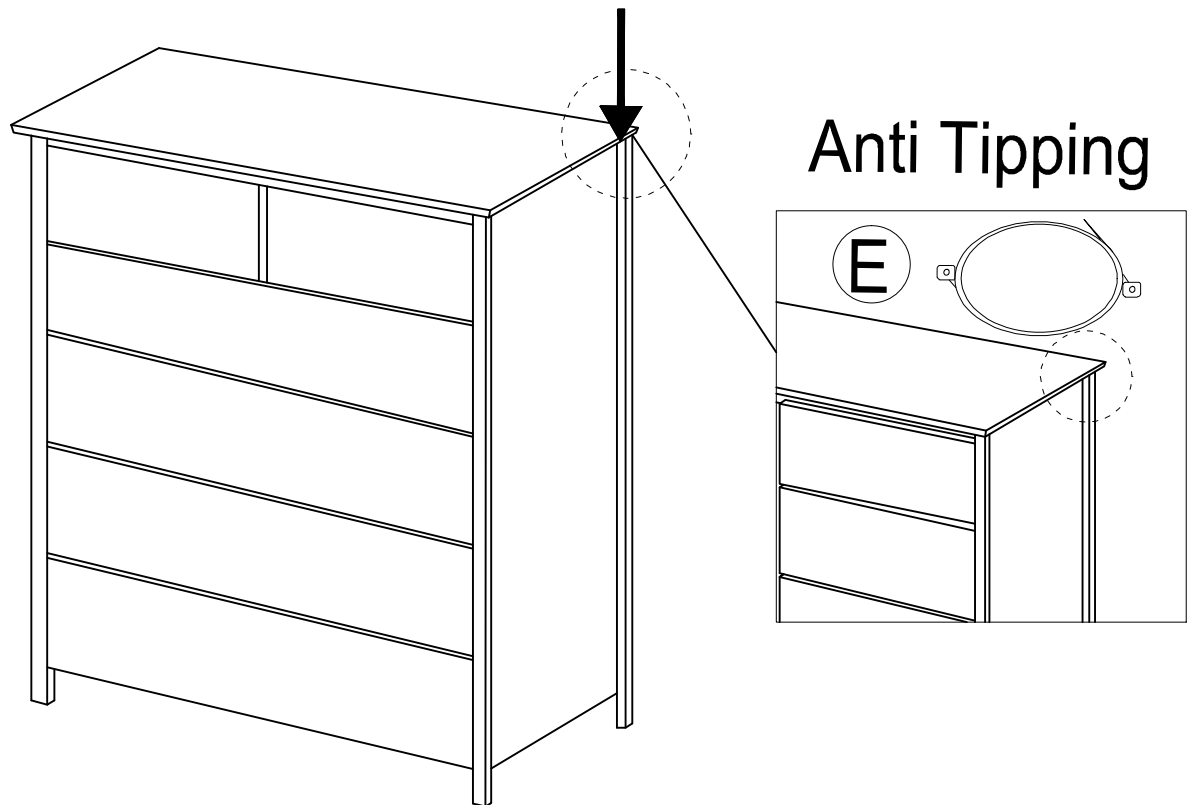


## Step 4

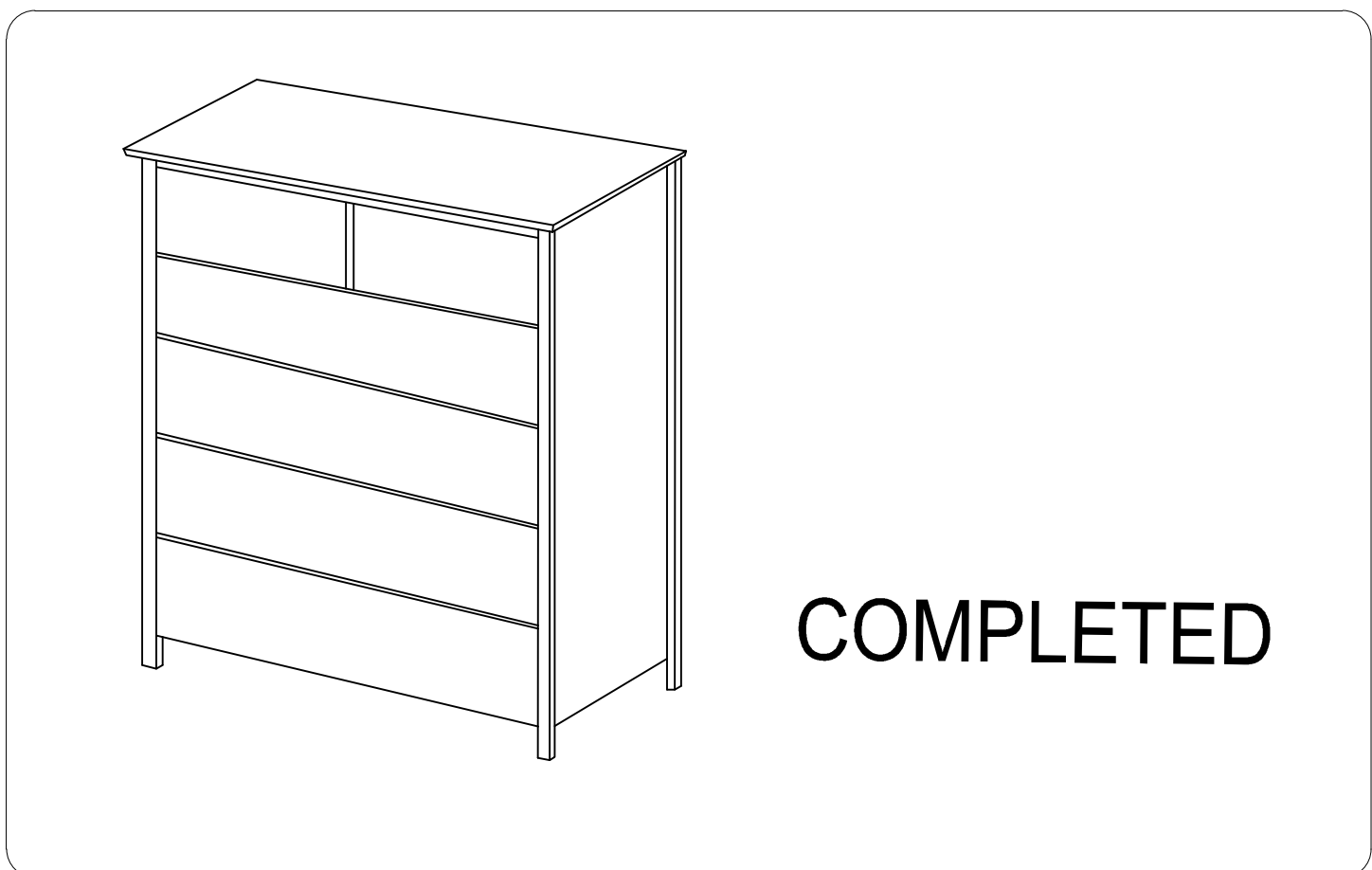


# CABINET ASSEMBLY

Step 9

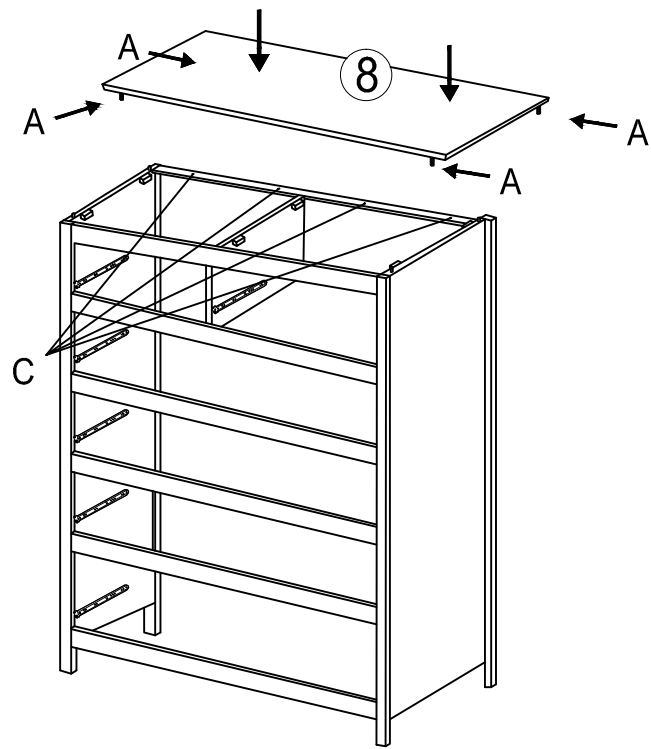
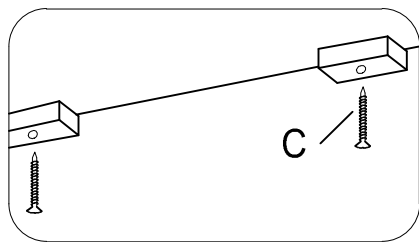
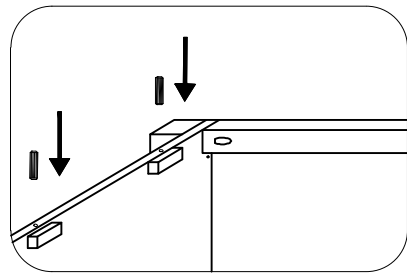


Step 9

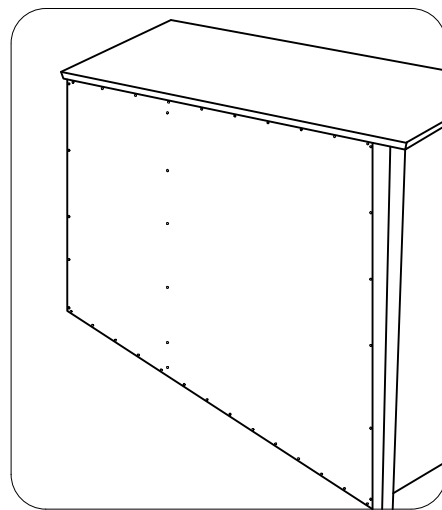
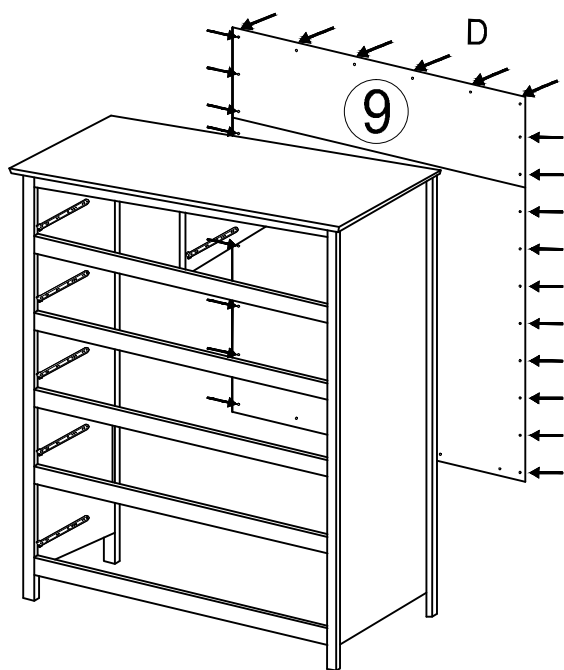


# CABINET ASSEMBLY

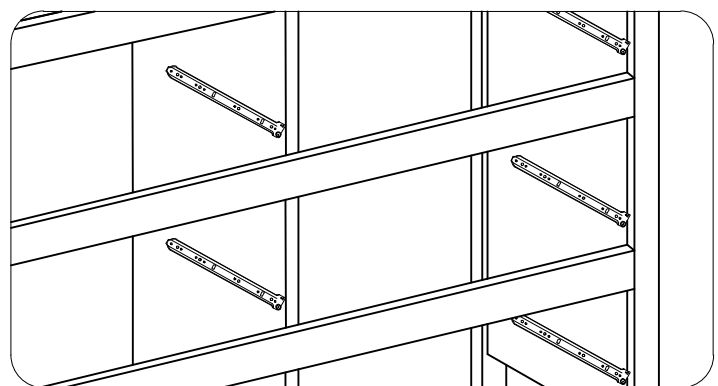
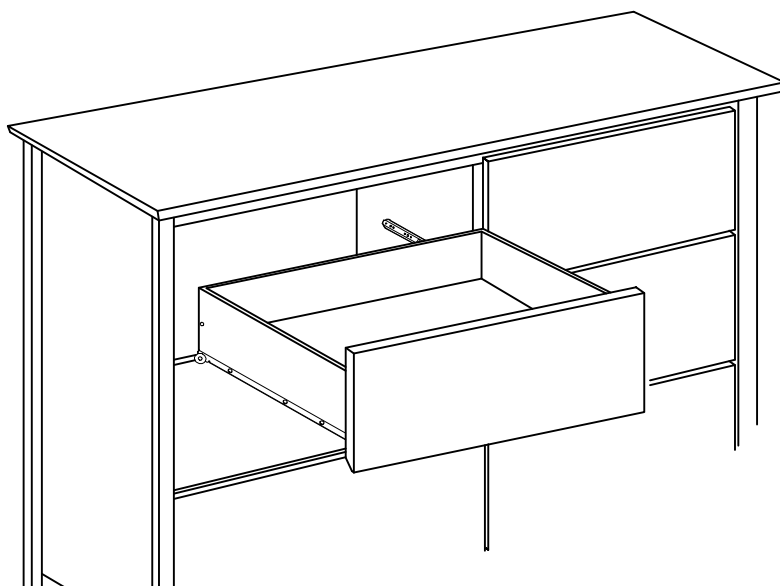
## Step 6



## Step 7

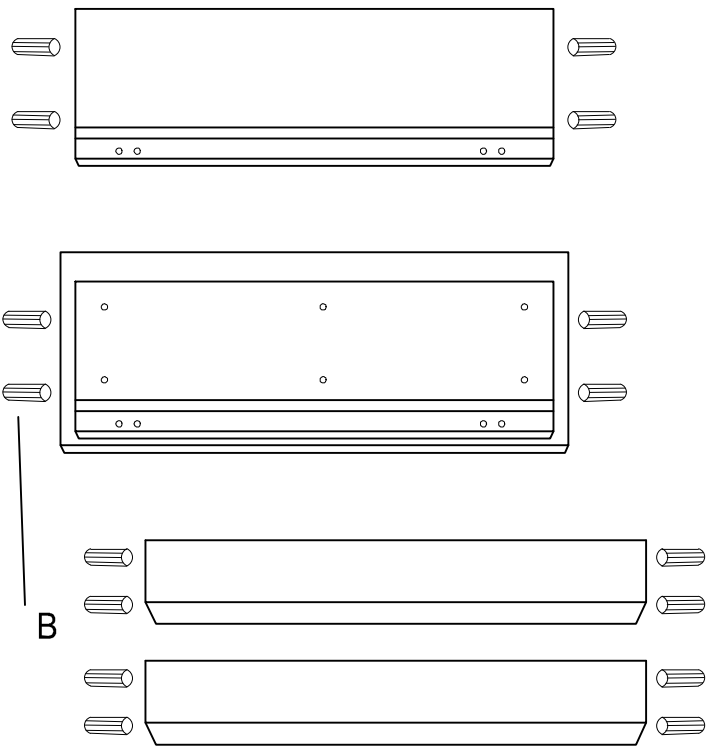


## Step 8

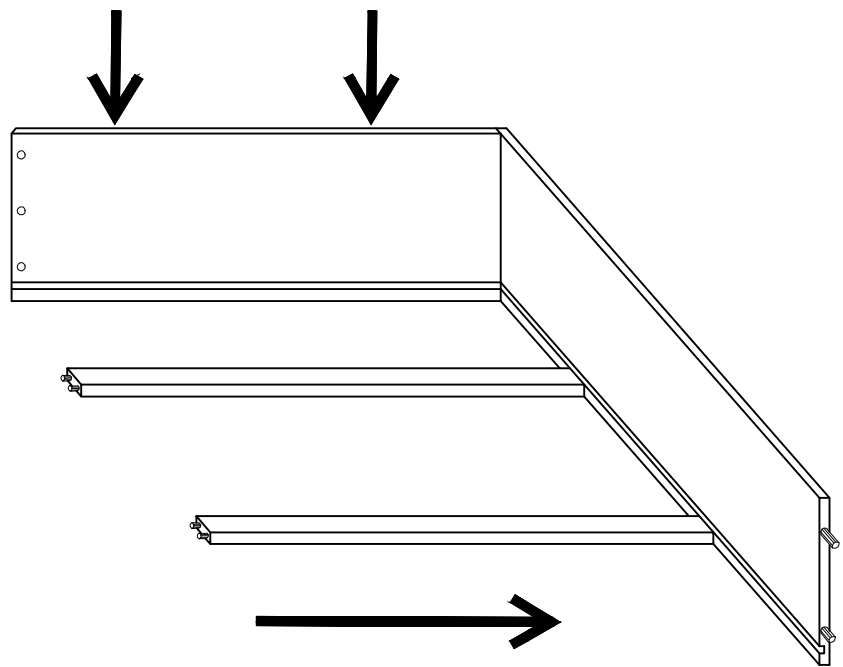


# DRAWER ASSEMBLY

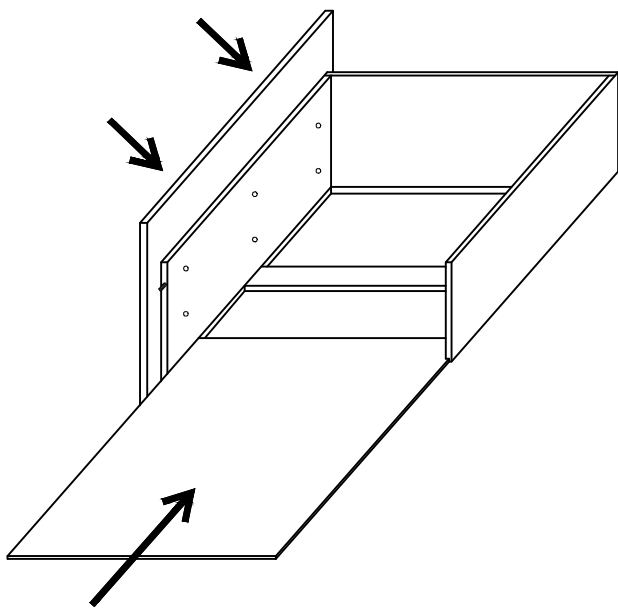
## Step 1



## Step 2



## Step 3



## Step 4

