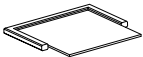
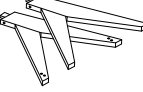
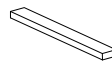
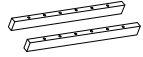

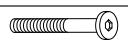

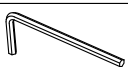
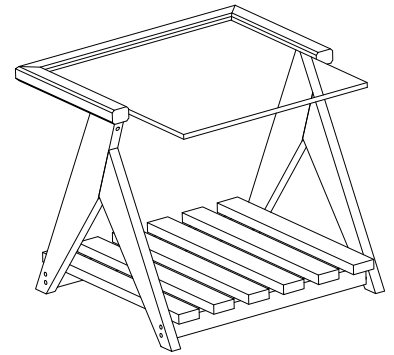


ASSEMBLY INSTRUCTIONS

MODEL : TB8038 END TABLE

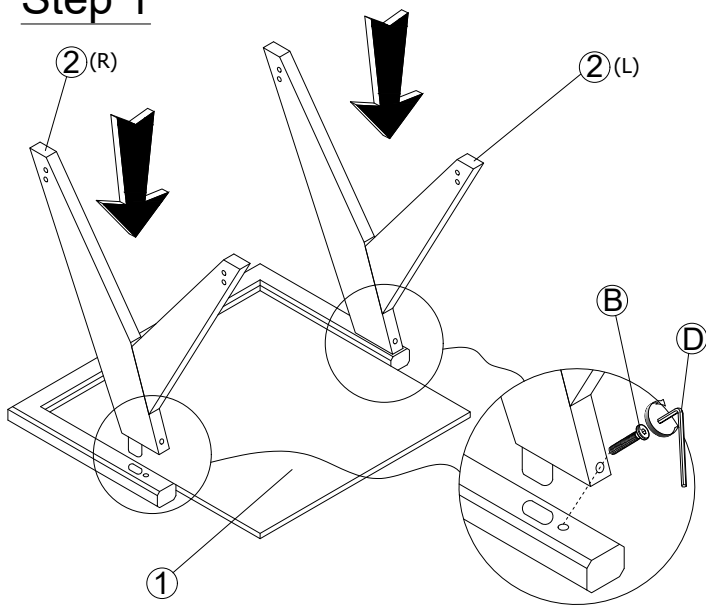
ITEM	PART NAME	QTY
1	Table Top 	1 PC
2	Leg (R&L) 	2 PCS
3	Base Rail 	6 PCS
4	Apron 	2 PCS

ITEM	HARDWARE NAME	DESCRIPTION	QTY
A	JCBC BOLT M6 x 50mm		12 PCS
B	JCBC BOLT M6 x 40mm		10 PCS
C	WOOD BUTTON 14.5mm		8 PCS
D	ALLEN KEY M4 (Long)		1 PC

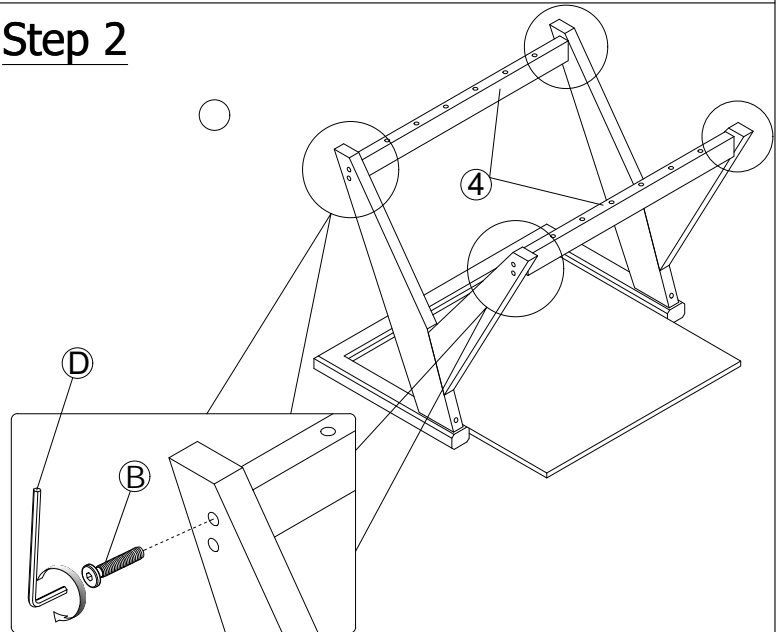


FULLY SET-UP

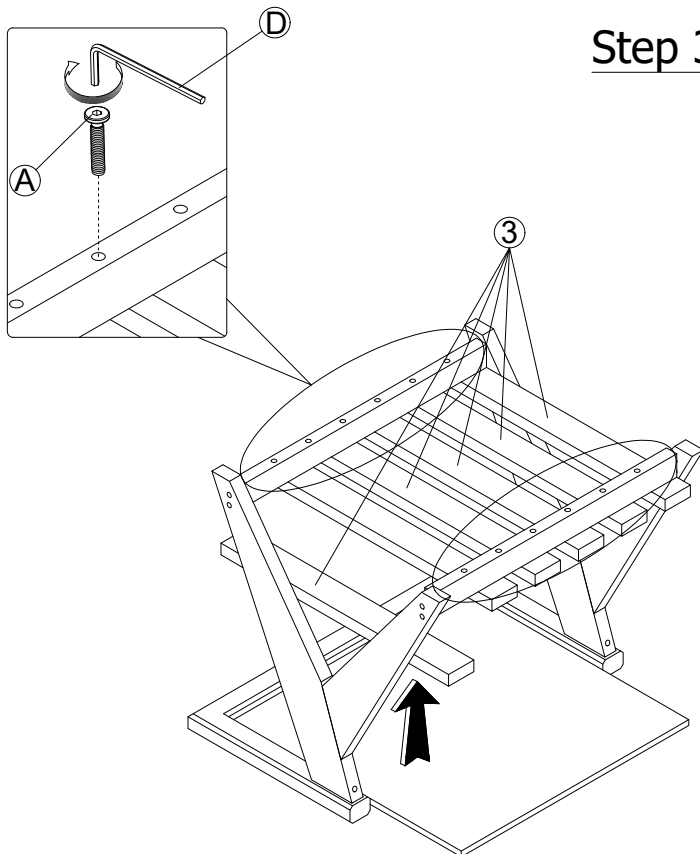
Step 1



Step 2



Step 3



Step 4

