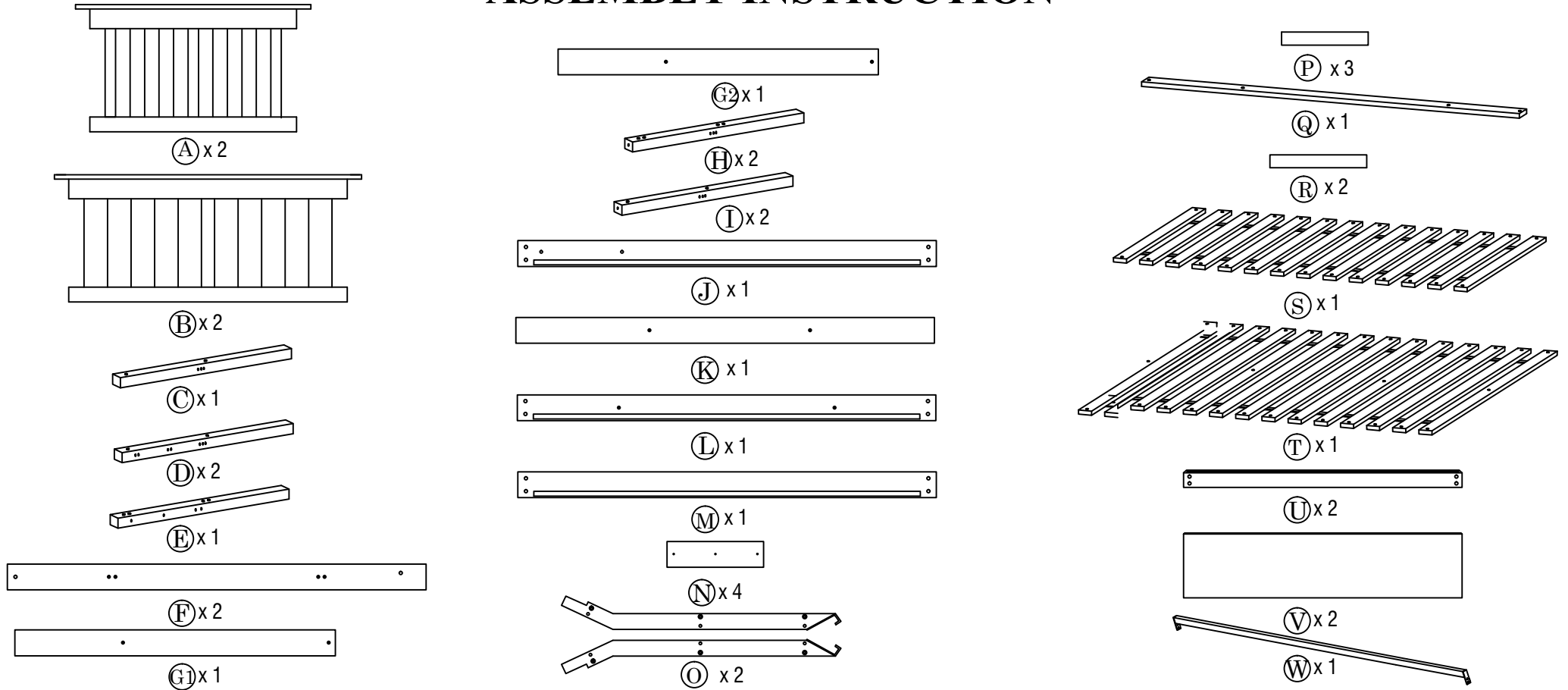


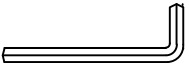
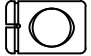

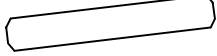
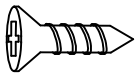
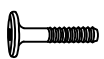
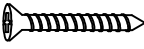



MYER TRIPLE BUNK BED





ASSEMBLY INSTRUCTION

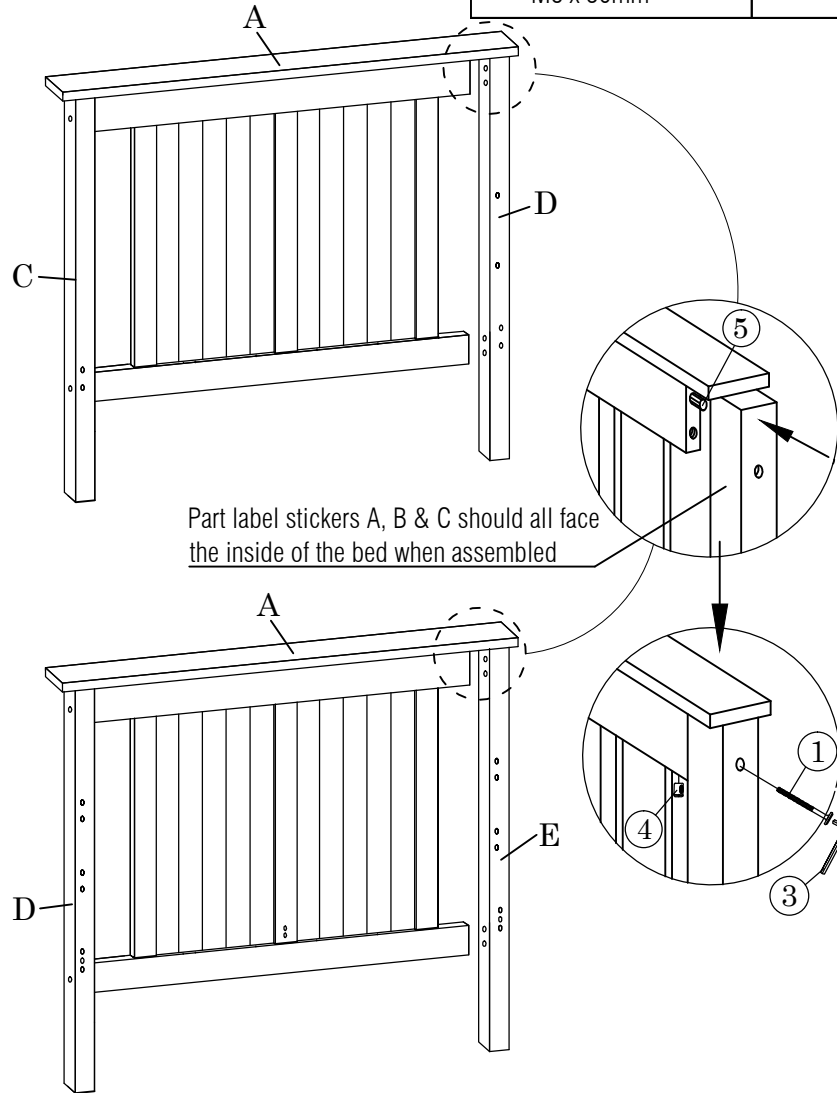


1.	x 38	2.	x 14	3.	x 1	4.	x 38	5.	x 44	6.	x 4
											
M6 x 90mm		M6 x 35mm		ALLEN KEY		M6 x 13mm		M8 x 30mm		M9.5 x 105mm	
7.	x 2	8.	x 8	9.	x 60	10.	x 4				
											
M3.5 x 16mm		M6 x 50mm		M4 x 32mm		M6 x 16mm					





MYER TRIPLE BUNK BED

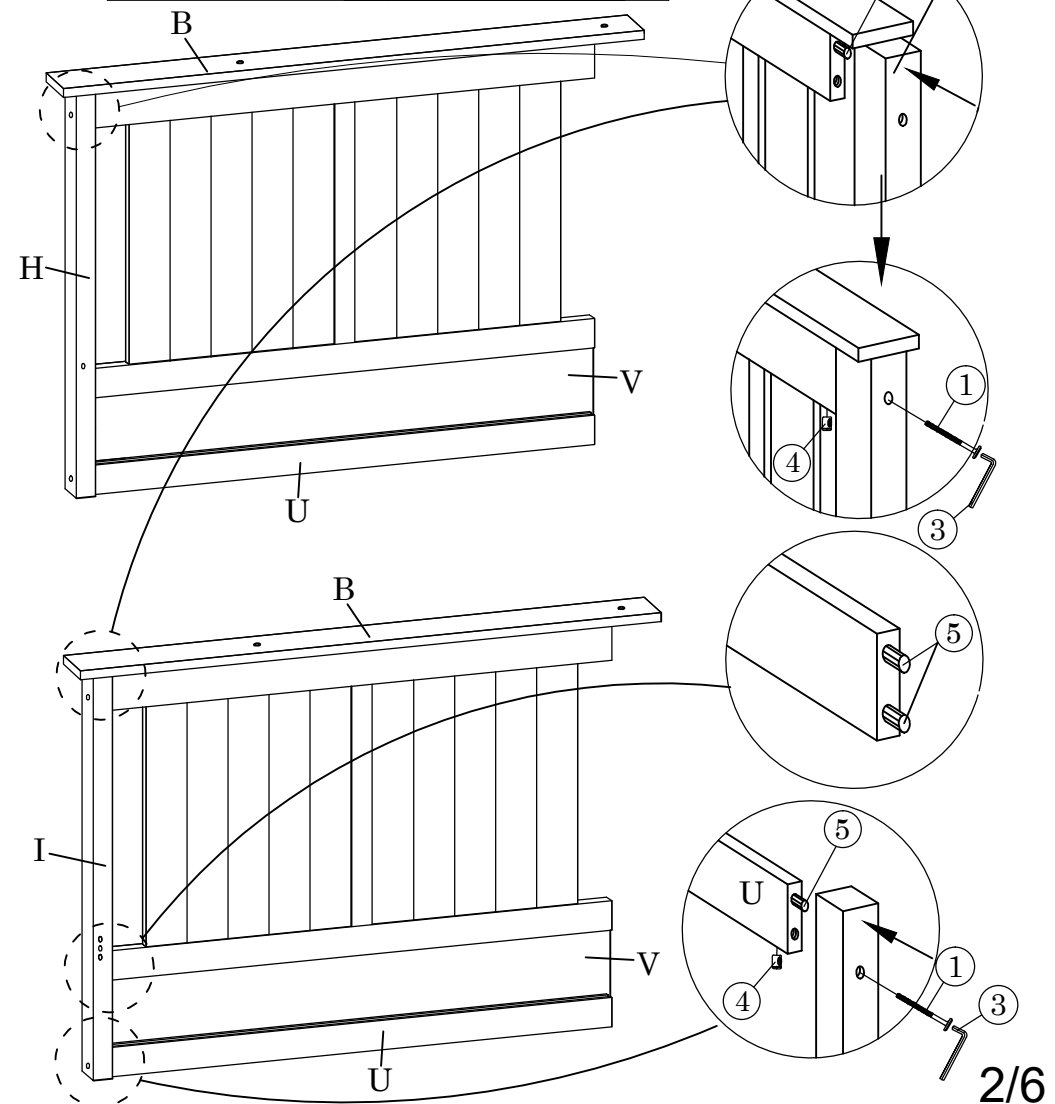
1

1.  x 8 M6 x 90mm	4.  x 8 M6 x 13mm
5.  x 8 M8 x 30mm	3.  x 1







2

1.  x 4 M6 x 90mm	4.  x 4 M6 x 13mm
5.  x 8 M8 x 30mm	3.  x 1

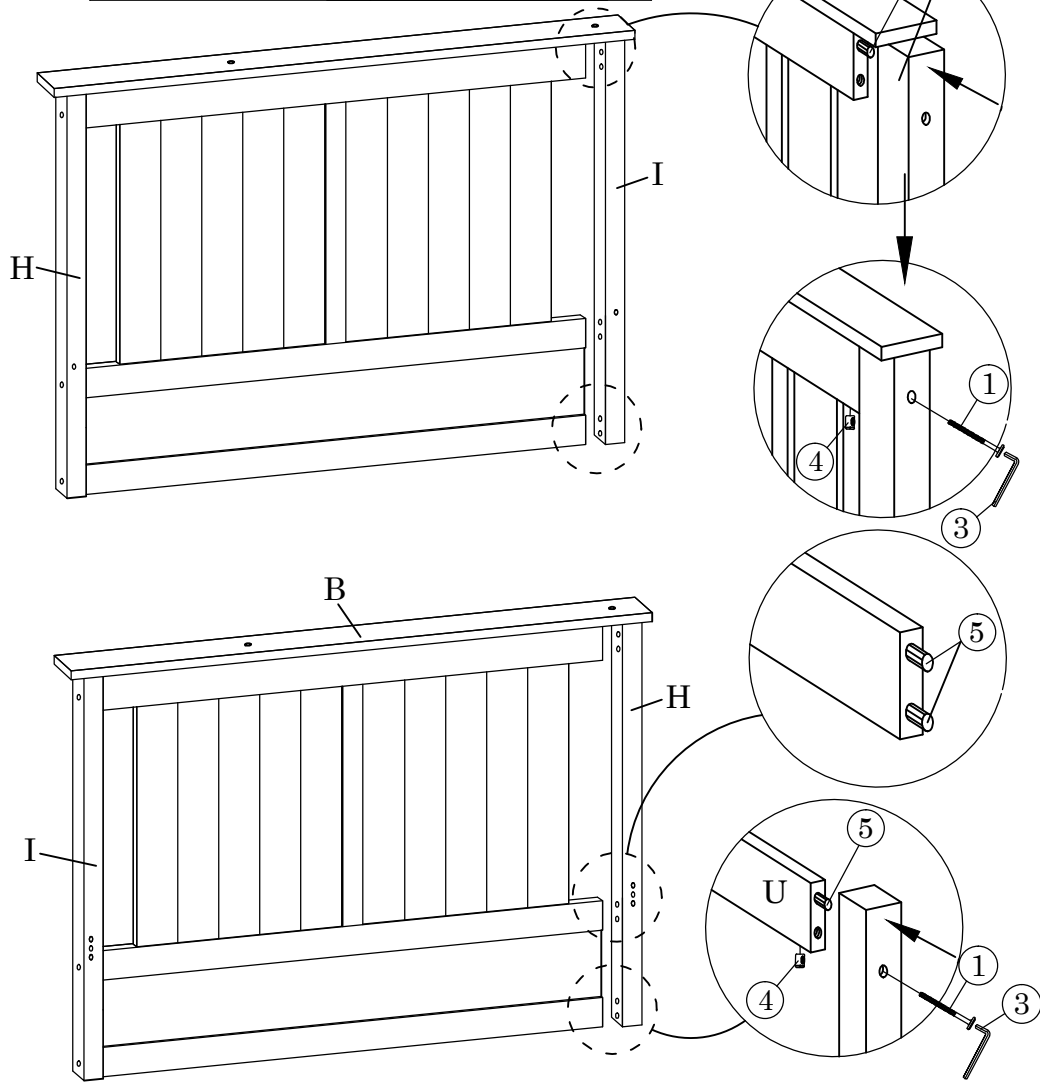


MYER TRIPLE BUNK BED





3

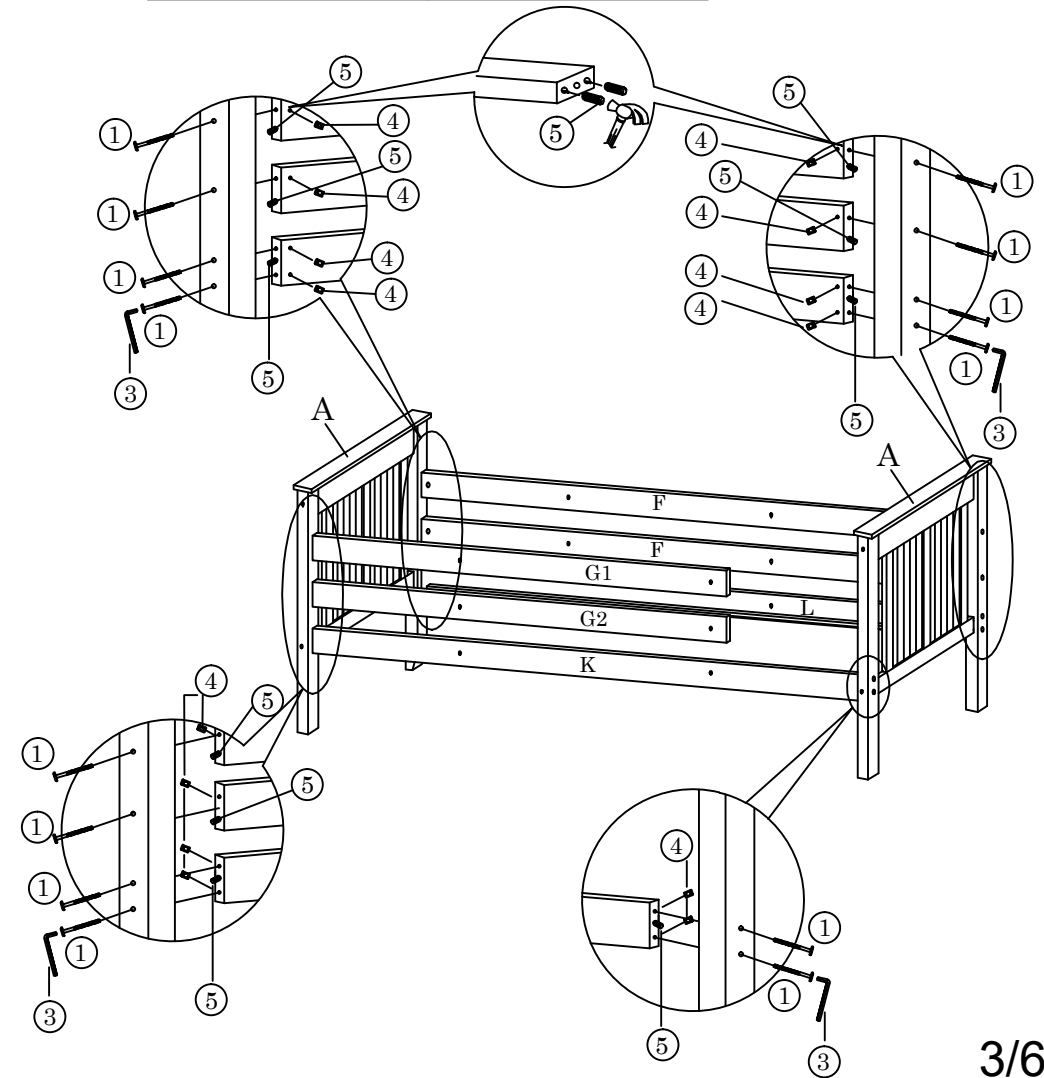
- | | |
|---|---|
| 1.  x 4
M6 x 90mm | 4.  x 4
M6 x 13mm |
| 5.  x 8
M8 x 30mm | 3.  x 1 |

Part label stickers A, B & C should all face the inside of the bed when assembled

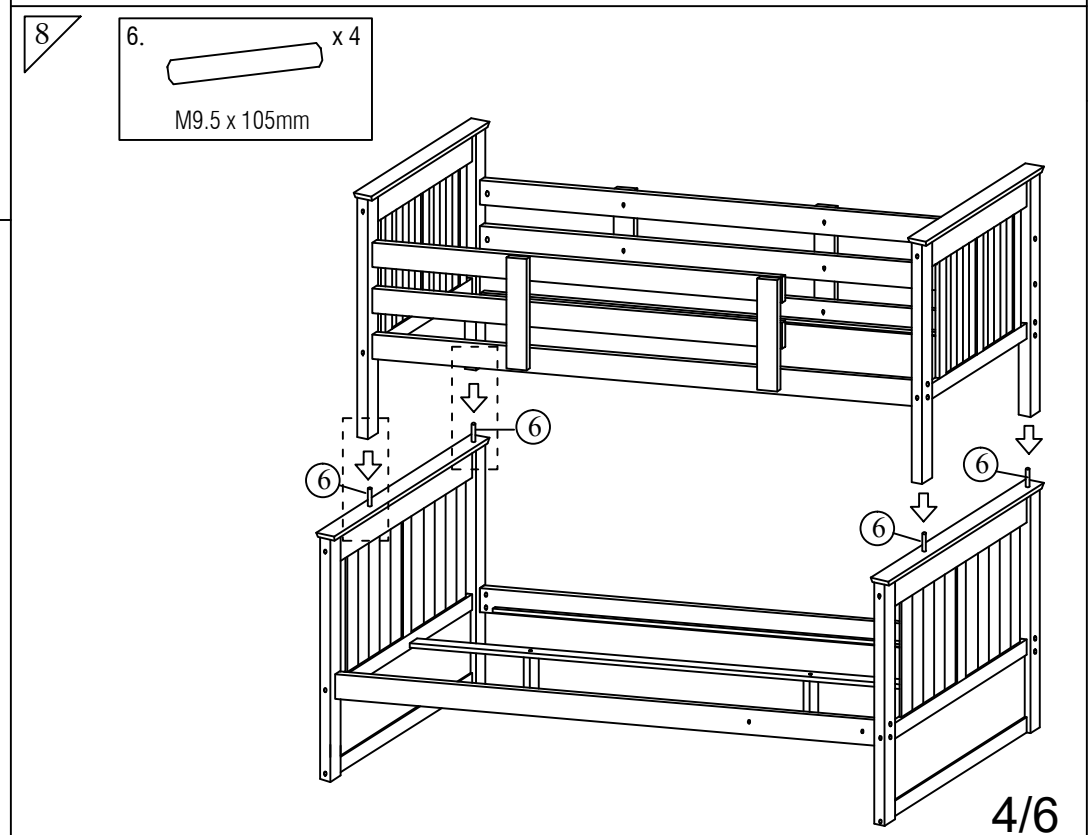
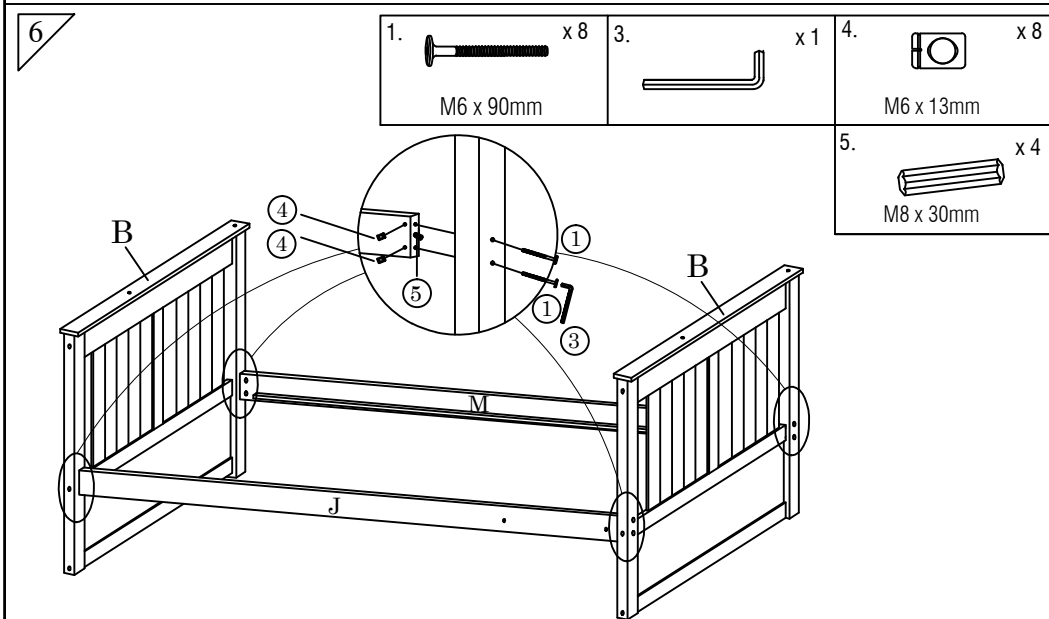
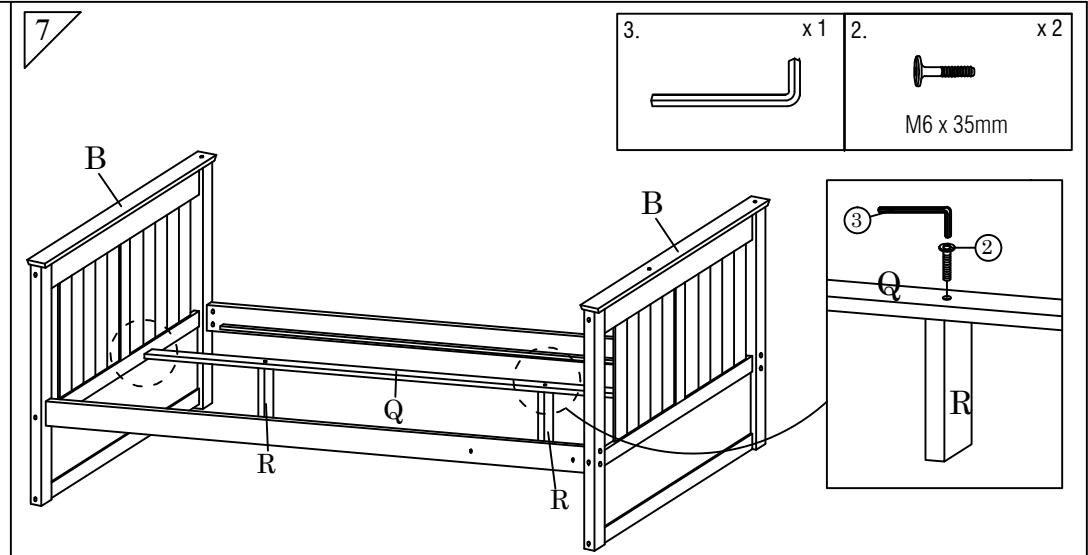
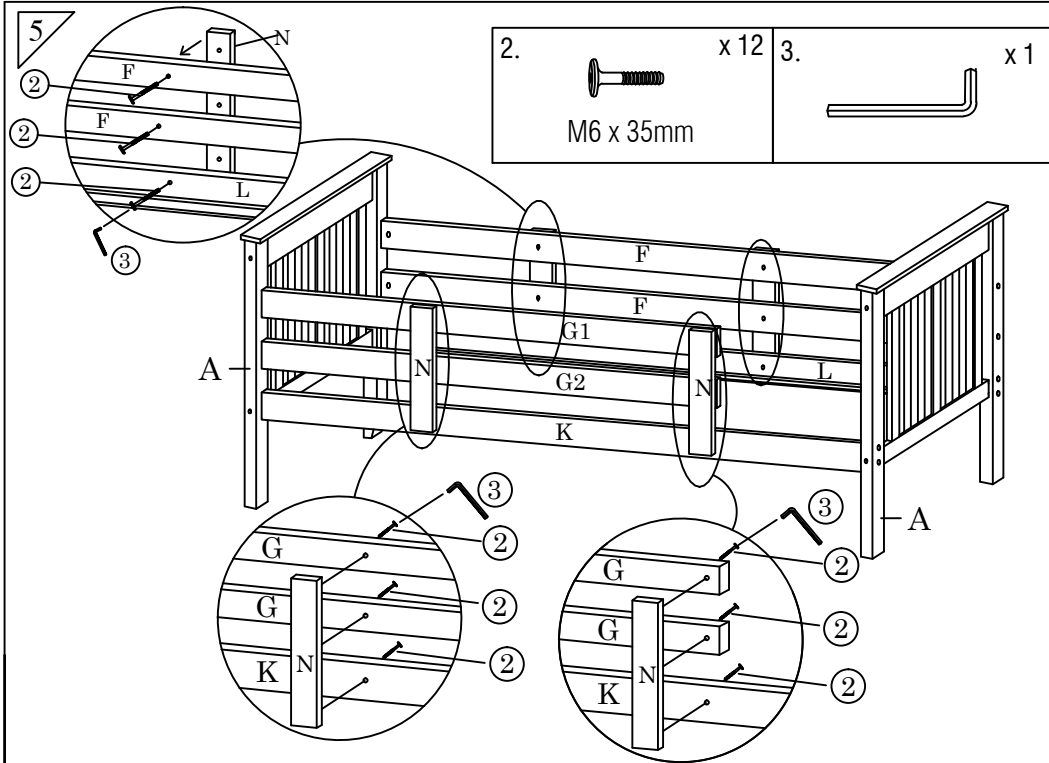


4

- | | |
|--|--|
| 1.  x 14
M6 x 90mm | 4.  x 14
M6 x 13mm |
| 5.  x 10
M8 x 30mm | 3.  x 1 |



MYER TRIPLE BUNK BED



MYER TRIPLE BUNK BED

