



B2CFURNITURE

MODERN HARDWOOD FURNITURE

MYER 2 DRAWS BEDSIDE TABLE ASSEMBLY INSTRUCTIONS

PARTS LIST

No.	HARDWARE		Qty.
A	DOWELL (8 X 30)		24
B	DOWELL (6 X 30)		16
C	SCREW (4 X 30)		18
D	SCREW (3 X 12)		12
E	SCREW (3.5 X 16)		24
F	PIN HEAD (3.5 X 16)		16
G	METAL RUNNER		4
H	L - BRACKET		6

PARTS LIST

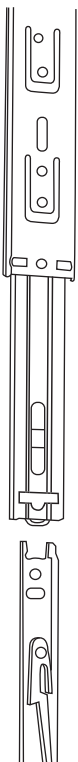
No.	PART LIST FOR FRAME	Qty.
1	Left side panel	1
2	Right side panel	1
3	Back panel	1
4	Front upper support bar w/ 2 holes	1
5	Support bar without holes	3
6	Front bottom support bar w/ 2 holes	1
7	Top panel	1
No.	PART LIST DRAWERS	Qty.
8	Back Panel	2
9	Front Panel	2
10	Left Panel	2
11	Right Panel	2
12	Bottom Board	2

Assembly Tips:

Remove hardware from box and sort by the size parts and hardware for frame and drawes to check that all hardware and parts are present before assembling. Follow instructions below in proper sequence to ensure fast, easy and correct assembly.

Step 1

Seperate Draw runner

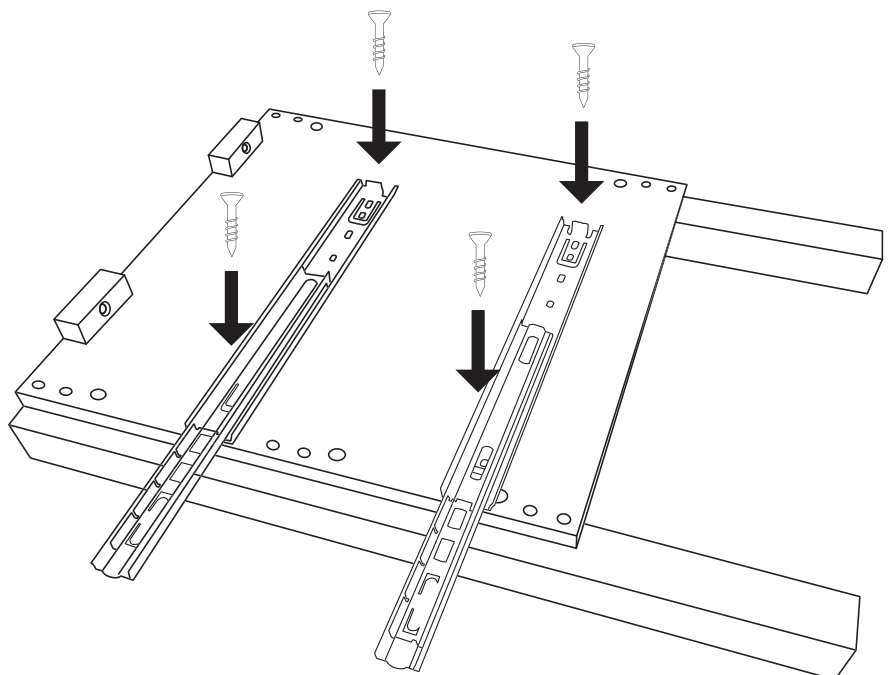


Note:

Use internal hook to seperate arm from draw runner.

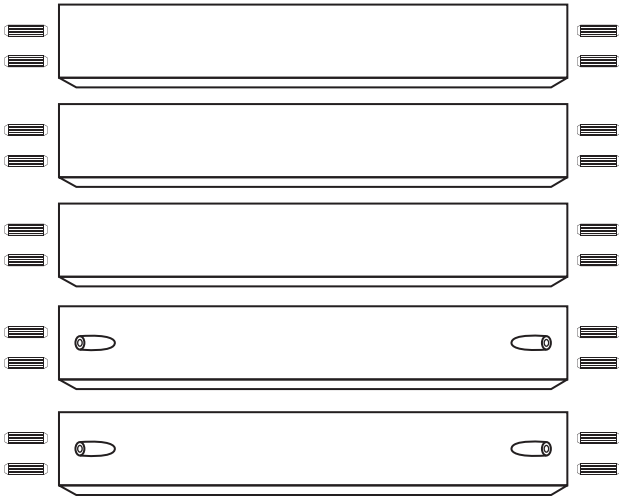
Step 2

Fix runners to both inside frame member using screw (3x12)



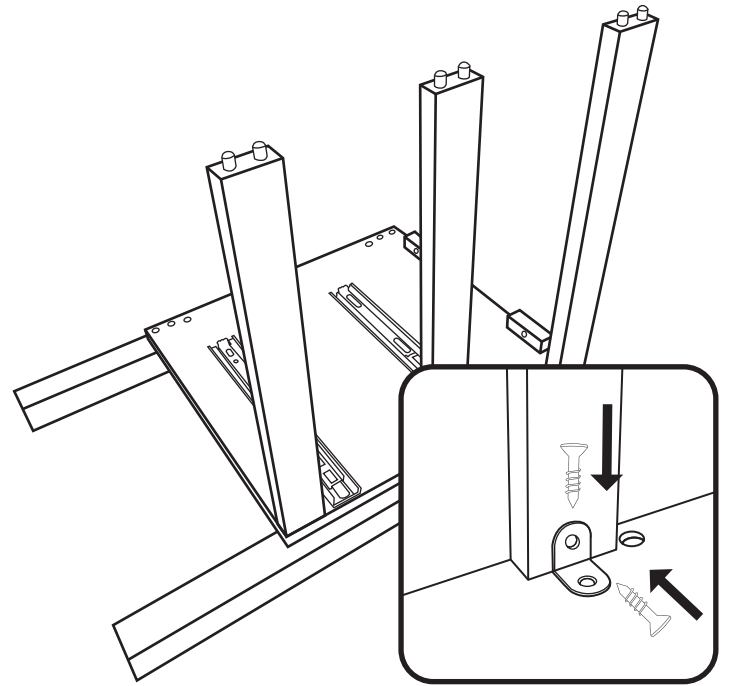
Step 3

Insert dowells into parts 4, 5 + 6



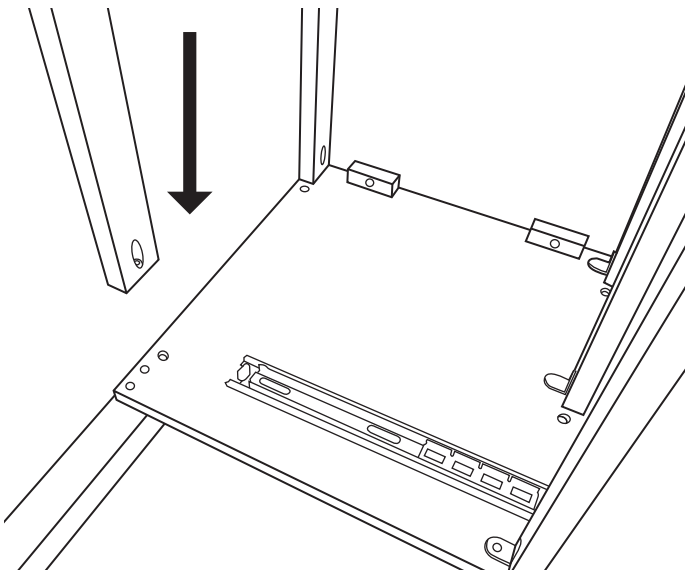
Step 4

Fix the three part 5 in to frame member part 1 using screw E (3.5 x 16) and L-Brackets



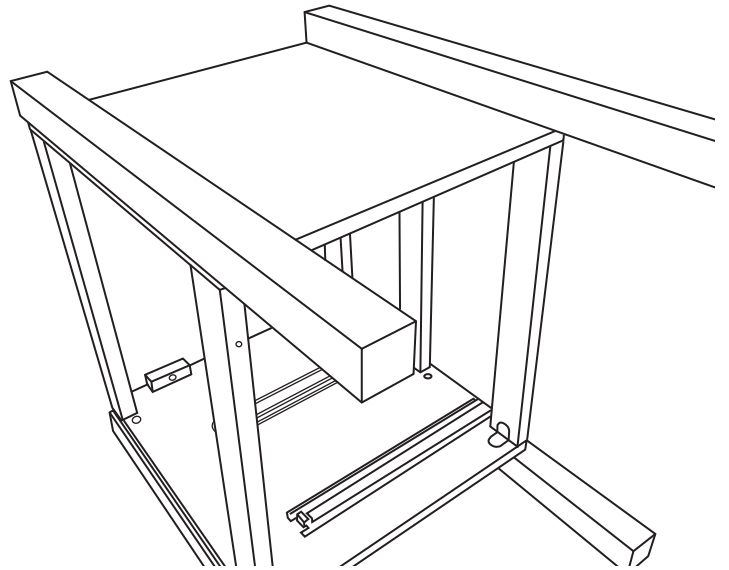
Step 5

Fix part 6 and part 4 using Screw C (4x30)



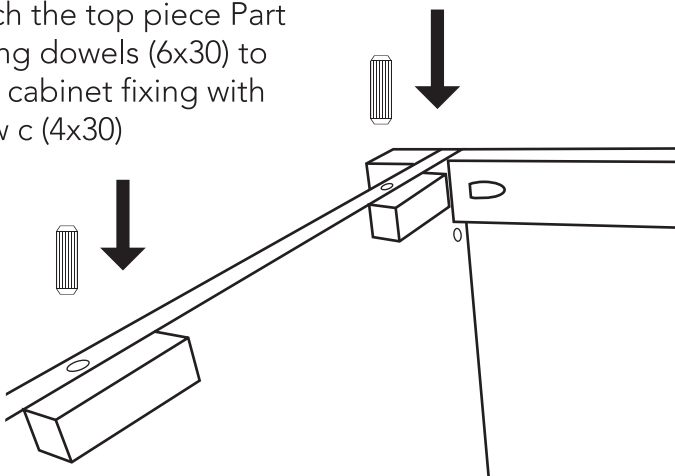
Step 6

Attach frame member Part 2 repeating steps 5, 6 & 7



Step 7

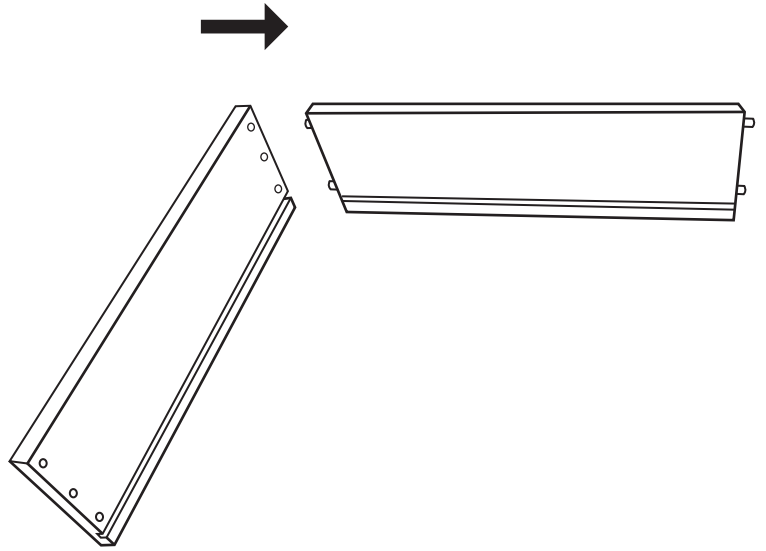
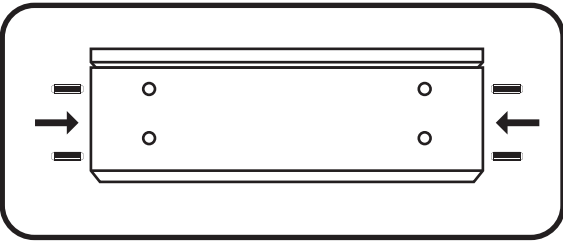
Attach the top piece Part 7 using dowells (6x30) to draw cabinet fixing with screw c (4x30)



DRAW ASSEMBLY

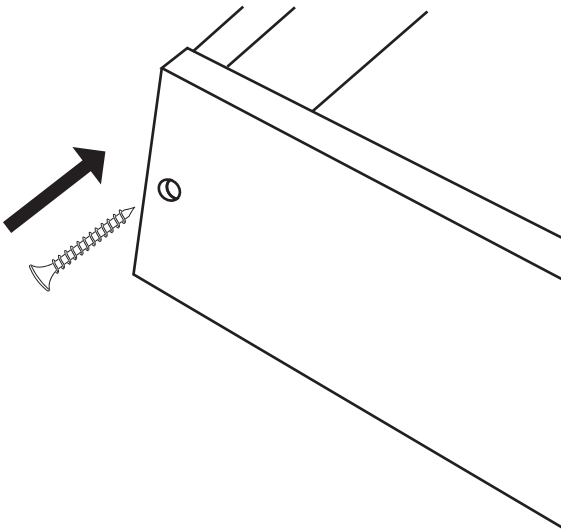
Step 8

Insert dowells Part B into rear draw panel Part 8 and Front Face panel Part 9



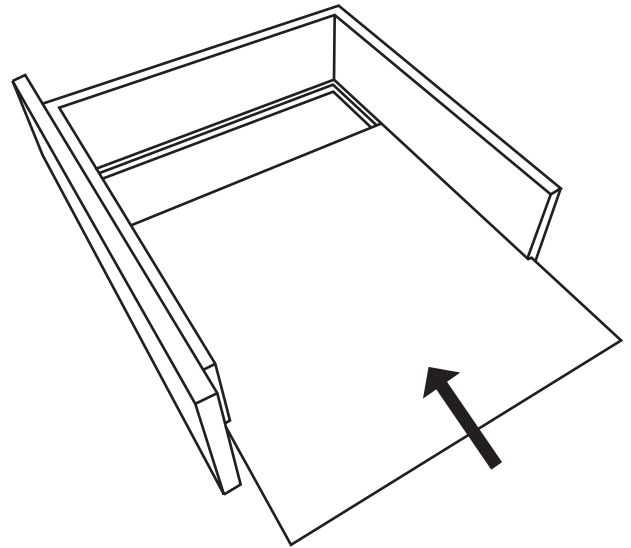
Step 9

Fix into left panel Part 10 and Screw using Part C (4 x 30) Screws



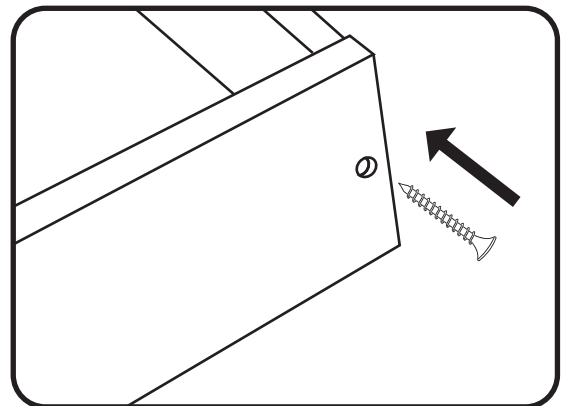
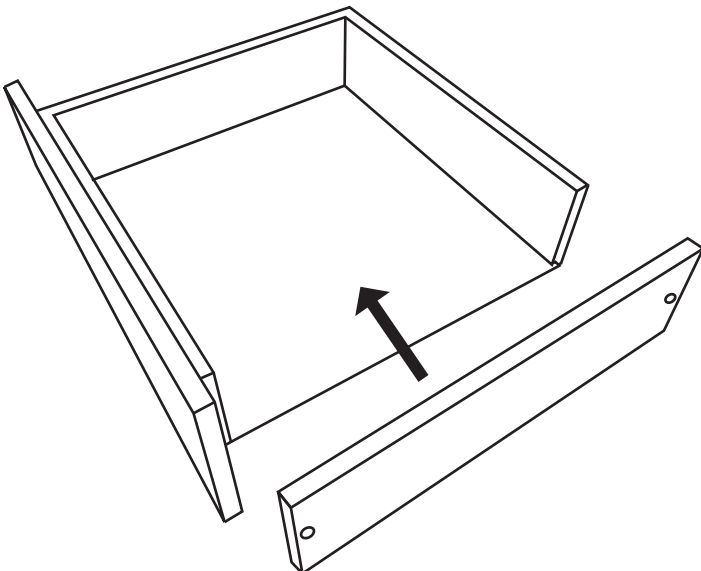
Step 10

Slide bottom board Part 12 into slots on Rear Part 8 and Front Panel Part 9



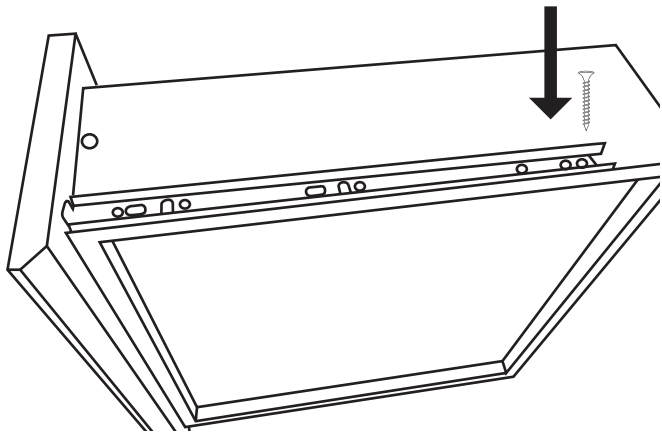
Step 11

Attach right panel part 11 using Part C Screws (4x30)



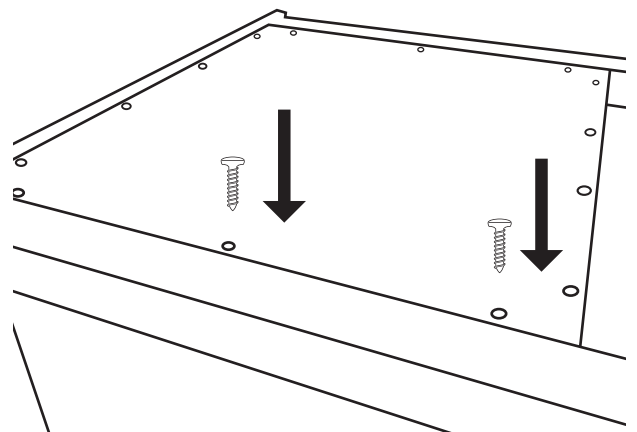
Step 12

Fit Draw runners to sides of draw using Screw (3x12)



Step 13

Attach Back Panel to Cabinet Using Pin Head (3.5x16)



Step 14

Insert Draws into Cabinet reconnecting drawrunners

