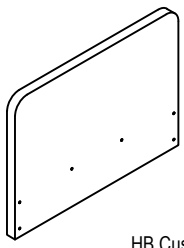
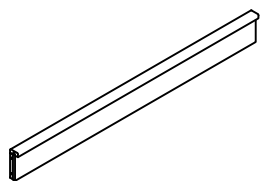
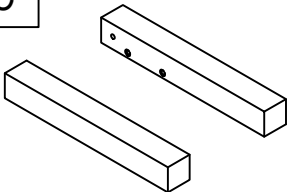
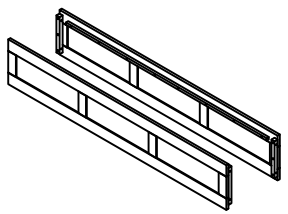
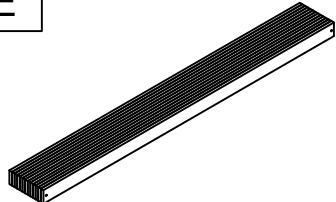
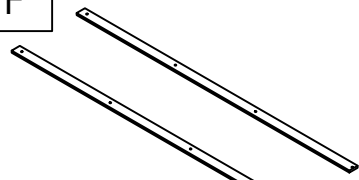
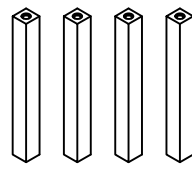
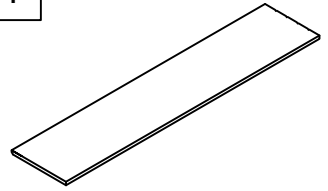
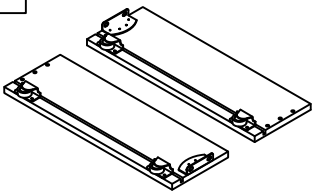
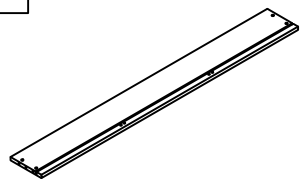
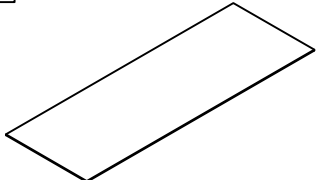
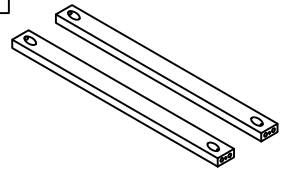


ASSEMBLY TIPS : Remove hardware from box and sort by size. Check that all hardware and parts are present before assembling. Following instruction below in proper sequence to ensure fast, easy and correct assembly.

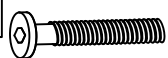





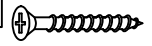

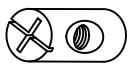




WARNING : DO NOT FULLY TIGHTEN ALL BOLTS UNTIL ALL PARTS IN PLACE. FAILURE TO FOLLOW THIS INSTRUCTION MAY CAUSE THE BOLTS TO BE MISALIGNED DURING THE ASSEMBLY.

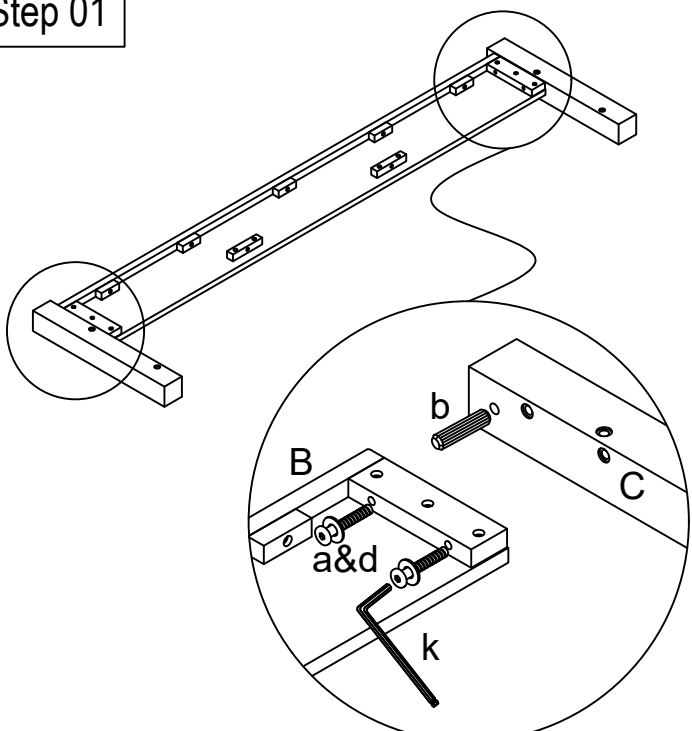
PART LIST

A  HB Cushion x 1	B  FB Panel x 1	C  FB Post x 2	D  Side Panel x 2
E  Slat x 13	F  Center Rail x 2	G  Support Leg x 4	H  Drawer Panel x 1
I  Drawer Side x 2	J  Drawer Back x 1	K  Drawer Btm x 1	L  Drawer Btm Support x 2

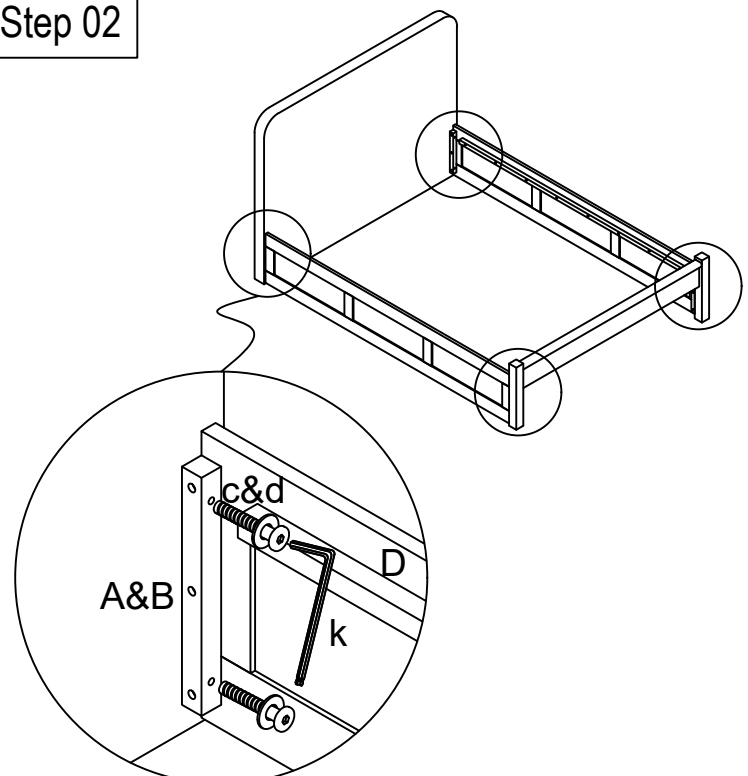
HARDWARE LIST

a  JCBC M6 x 70 mm = 4 pcs	b  Wood Dowel 10 x 30 mm = 2 pcs	c  JCBC M6 x 50 mm = 18 pcs	d  Flat Washer M6 = 16 pcs	e  L-Bracket = 2 pcs	f  Adjuster Screw = 4 pcs
g  CSK M4 x 25 mm = 30 pcs	h  JCBC M6 x 16 mm = 8 pcs	i  Barrel Nut = 4 pcs	j  Wood Dowel 8 x 30 mm = 10 pcs	k  Allen Key M4 = 1 pc	

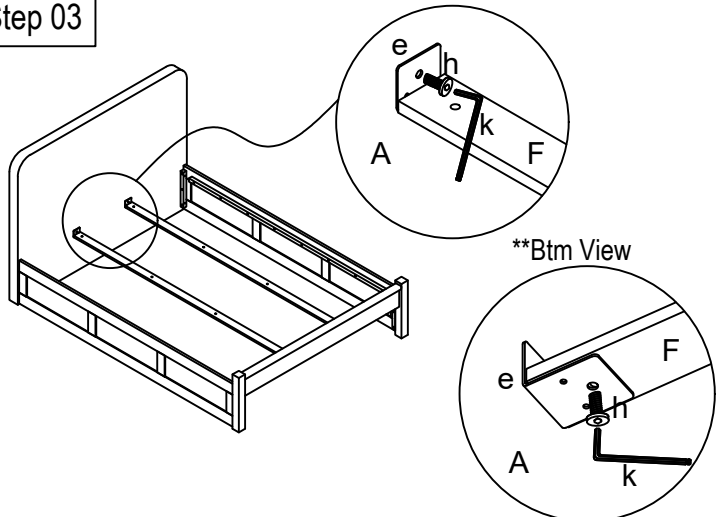
Step 01



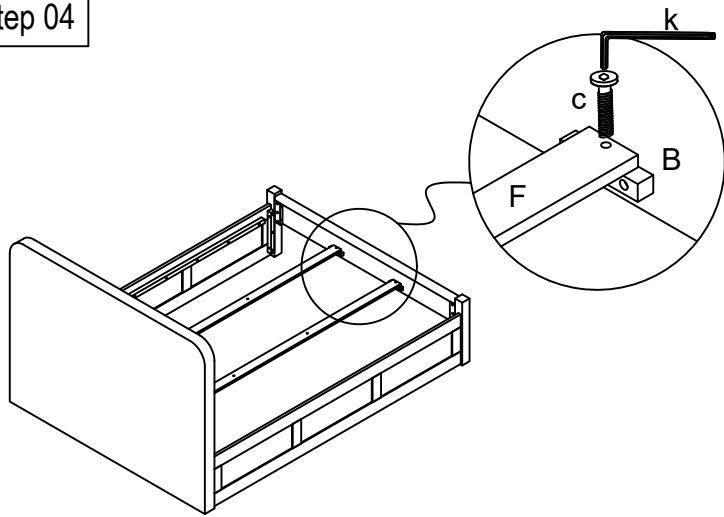
Step 02



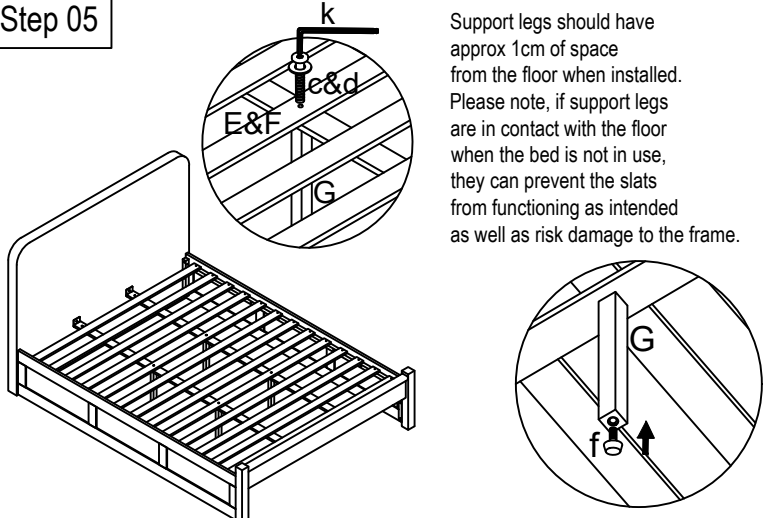
Step 03



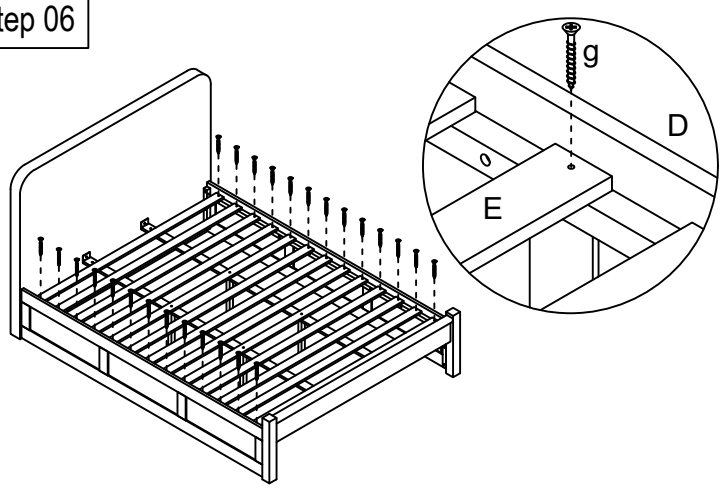
Step 04



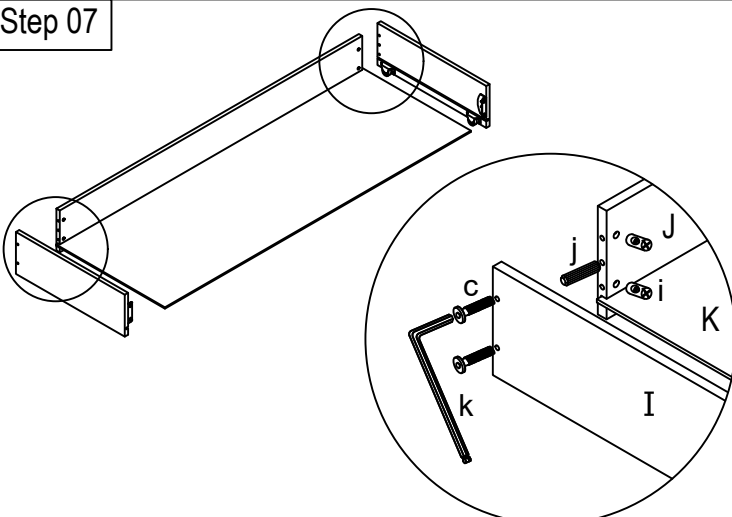
Step 05



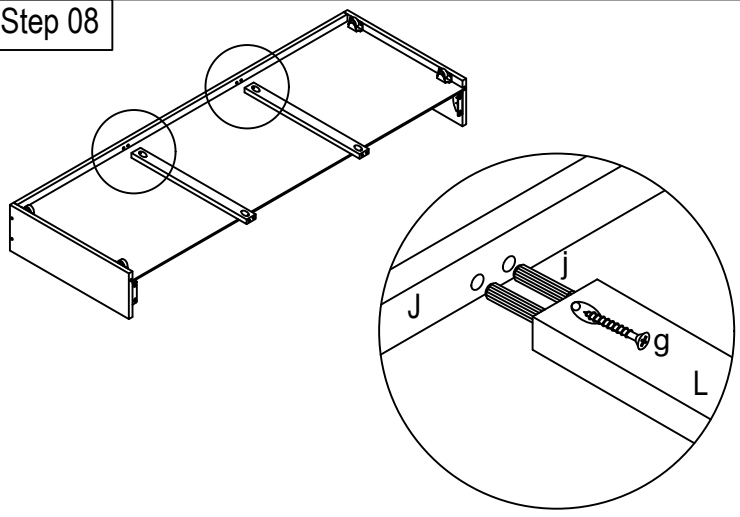
Step 06



Step 07



Step 08



Step 09

