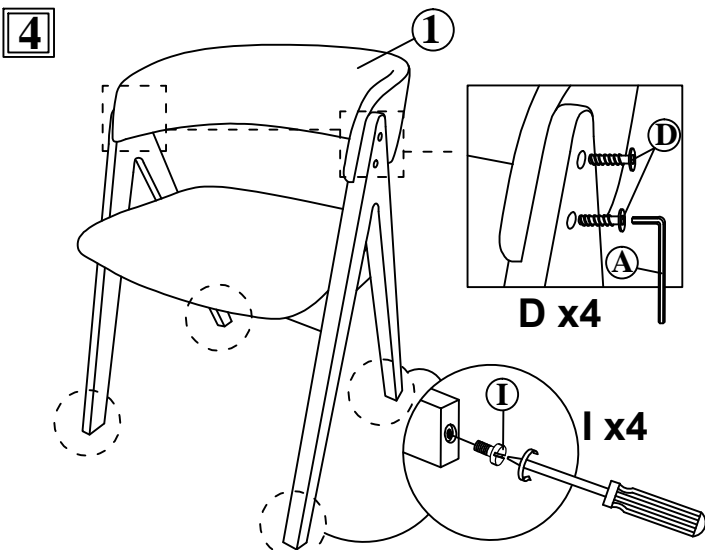
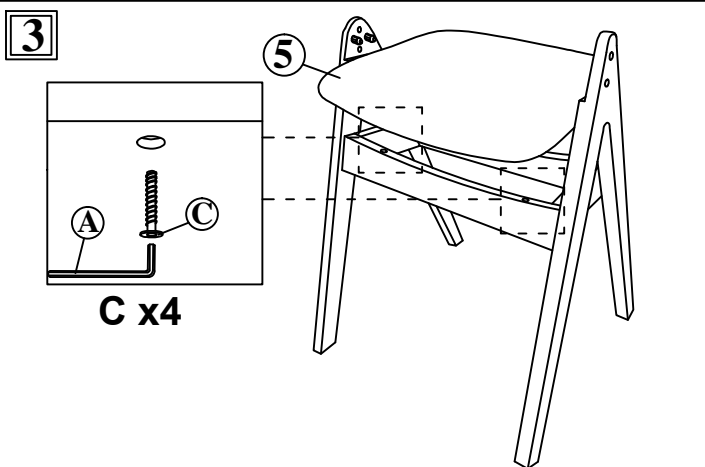
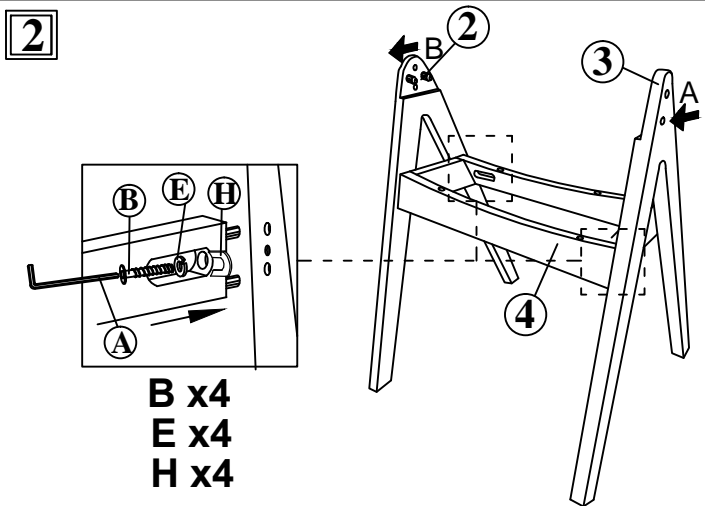
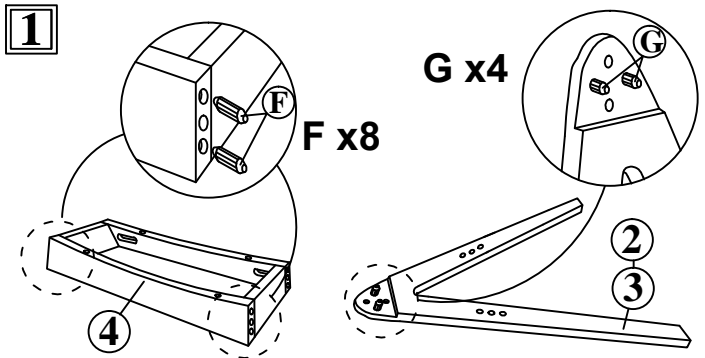
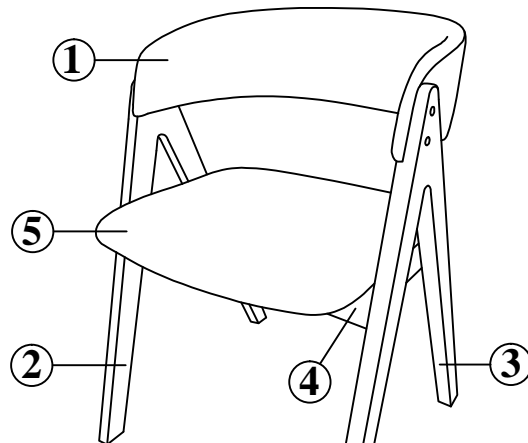


ASSEMBLY INSTRUCTION



If needed, part I can be used to level the chair to your floor



	M4	
A (1)		
	M6 x 60mm	1 (1)
B (4)		
	M6 x 30mm	
C (4)		
	M6 x 25mm	2 (1)
D (4)		
	E (4)	
F (8)		
	M10 x 30mm	3 (1)
G (4)		
	M10 x 25mm	
H (4)		
	U WASHER	4 (1)
I (4)		
	Adjuster	
		5 (1)