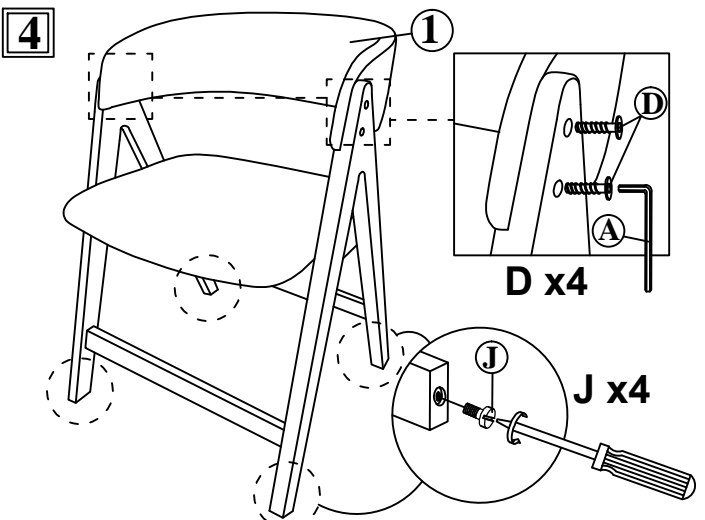
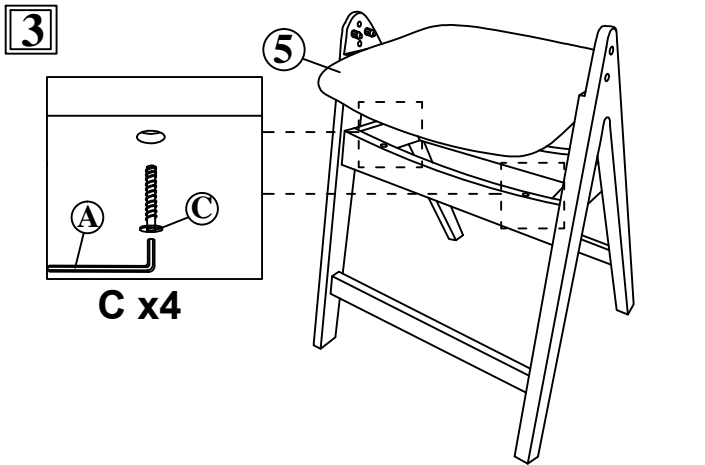
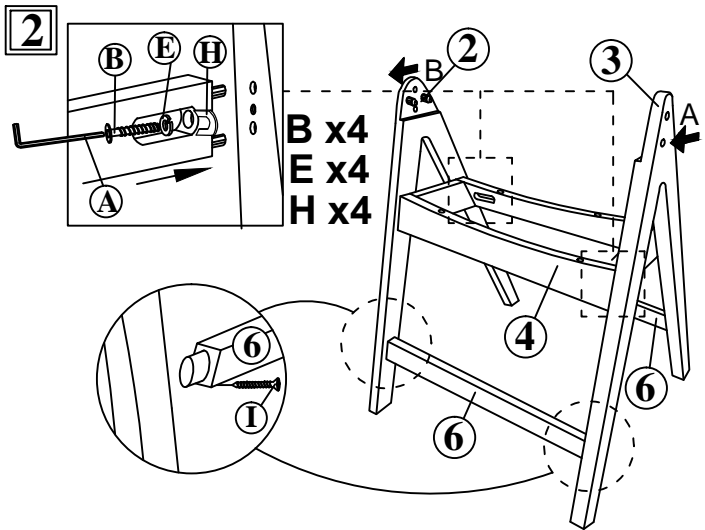
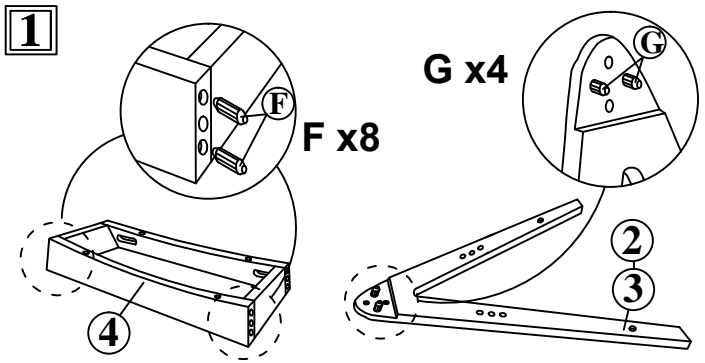
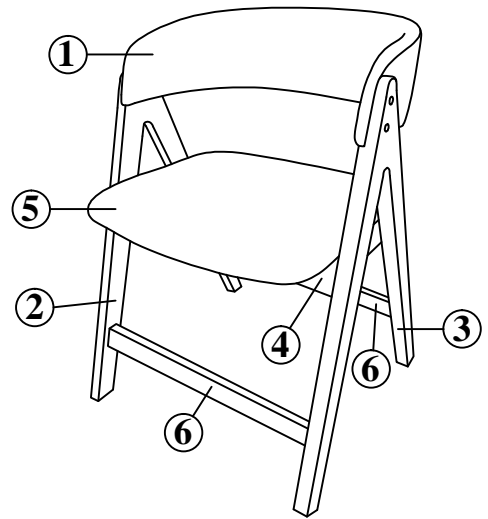


ASSEMBLY INSTRUCTION



If needed, part J can be used to level the chair to your floor



|                                      |              |
|--------------------------------------|--------------|
|                                      |              |
| <b>M4</b><br><b>A (1)</b>            | <b>1 (1)</b> |
|                                      |              |
| <b>M6 x 60mm</b><br><b>B (4)</b>     | <b>2 (1)</b> |
|                                      |              |
| <b>M6 x 30mm</b><br><b>C (4)</b>     | <b>3 (1)</b> |
|                                      |              |
| <b>M6 x 25mm</b><br><b>D (4)</b>     | <b>4 (1)</b> |
|                                      |              |
| <b>E (4)</b>                         | <b>5 (1)</b> |
|                                      |              |
| <b>M10 x 30mm</b><br><b>F (8)</b>    | <b>6 (2)</b> |
|                                      |              |
| <b>M10 x 25mm</b><br><b>G (4)</b>    |              |
|                                      |              |
| <b>U WASHER</b><br><b>H (4)</b>      |              |
|                                      |              |
| <b>CSK M4 x 32mm</b><br><b>I (4)</b> |              |
|                                      |              |
| <b>Adjuster</b><br><b>J (4)</b>      |              |