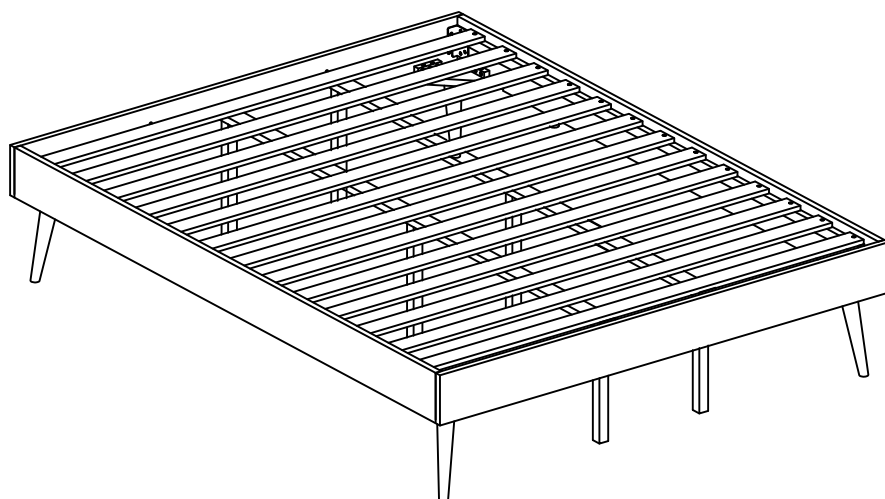


MODEL : FRANKI WOODEN BED BASE - KING BED

Thank you for purchasing our product!

Before you start , here is some helpful advice :

1. We suggest you spend a short time reading through this leaflet and then follow the simple step by step instructions.
2. Owing to the size and weight of the product, we recommend that is assembled by two adults, on a carpeted or padded area, in the room that it is intended for . Approximate assembly time: 30 minutes.
3. Please do not use any tools other than those provided or recommend in these instruction.
4. Please do not throw away any of the packaging or instructions until you have checked all the components and hardware and the furniture is fully assembled.
5. Assemble all components loosely until advised to tighten. Depending on use it may be necessary to tighten the components from time to time, so please save the tools that have been provided.
6. Please keep all pieces out of reach of small children.



ASSEMBLY COMPLETED



Please ensure the furniture rests on an even and flat surface. If the product wobbles or feels loose, double-check all bolts and/or screws are properly tightened and secured.



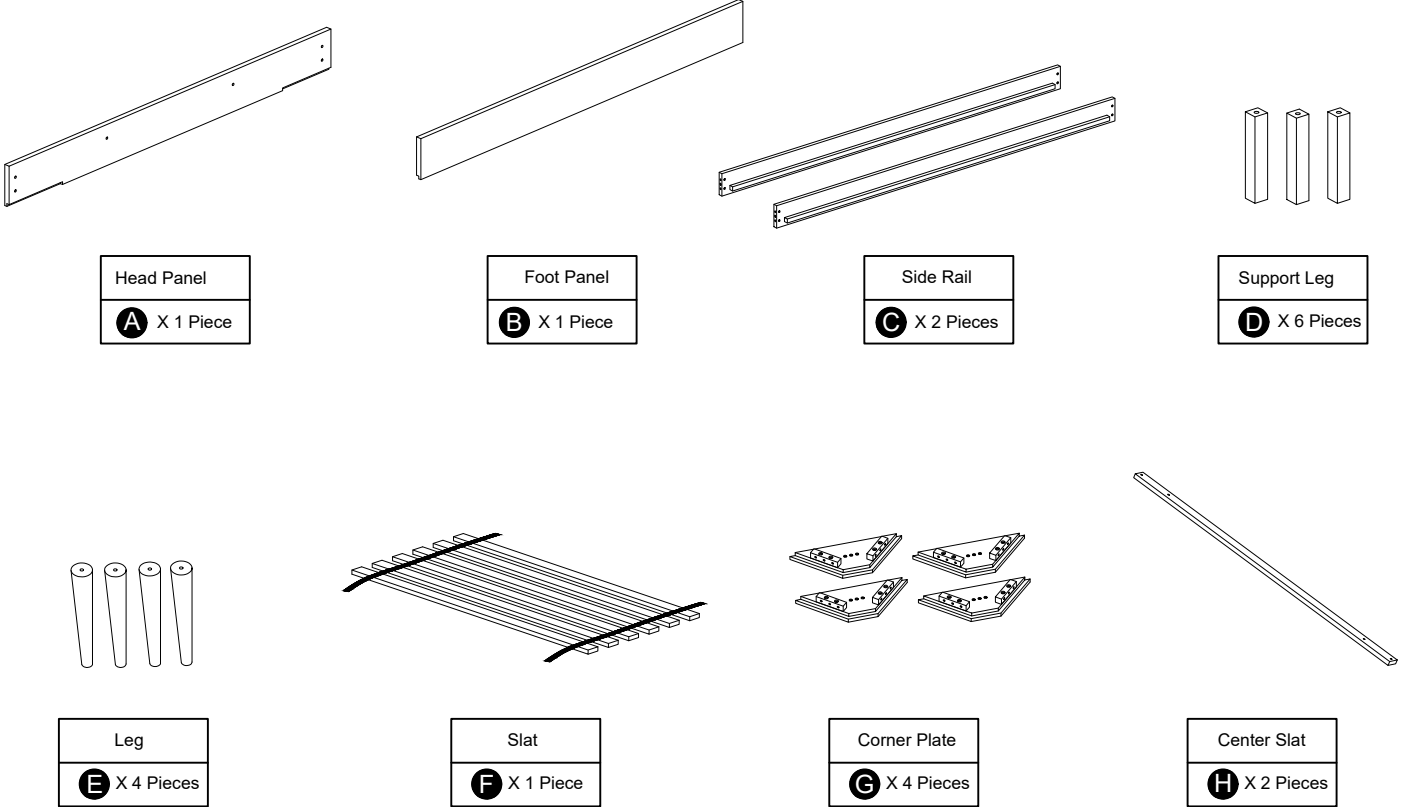
Keep this handy!

Please retain this instruction manual and any order-related information for future reference.

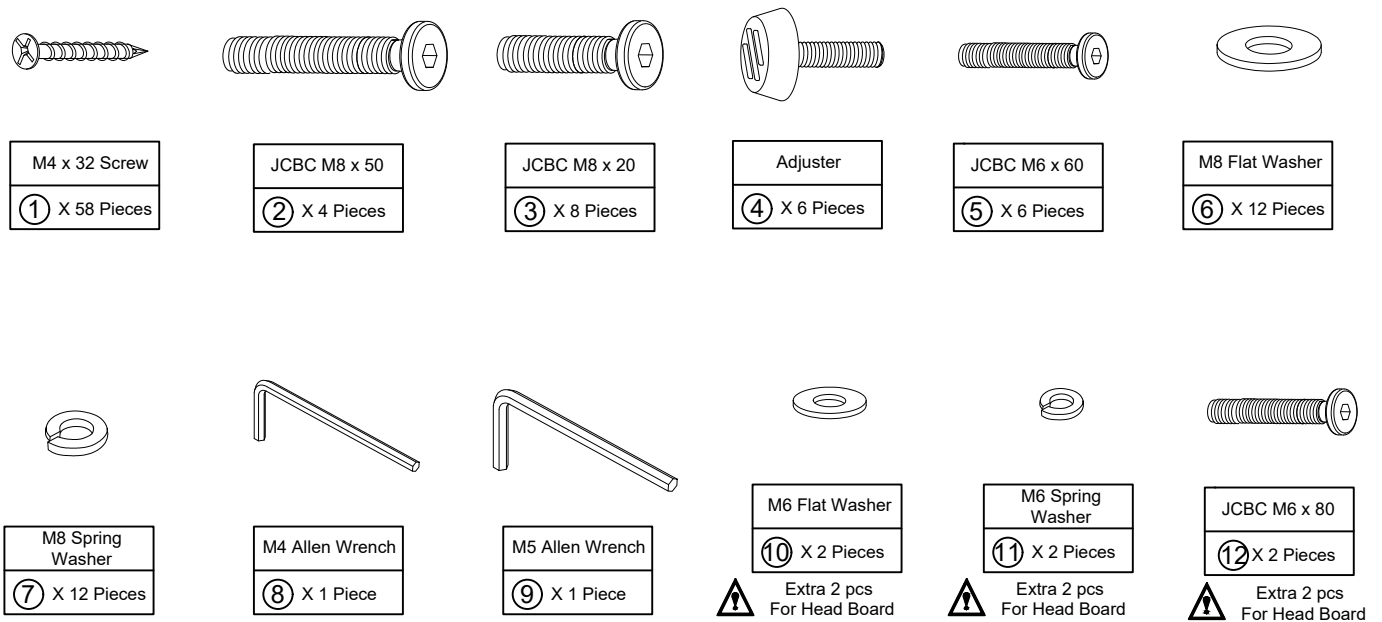


**2 - Persons
Recommended**

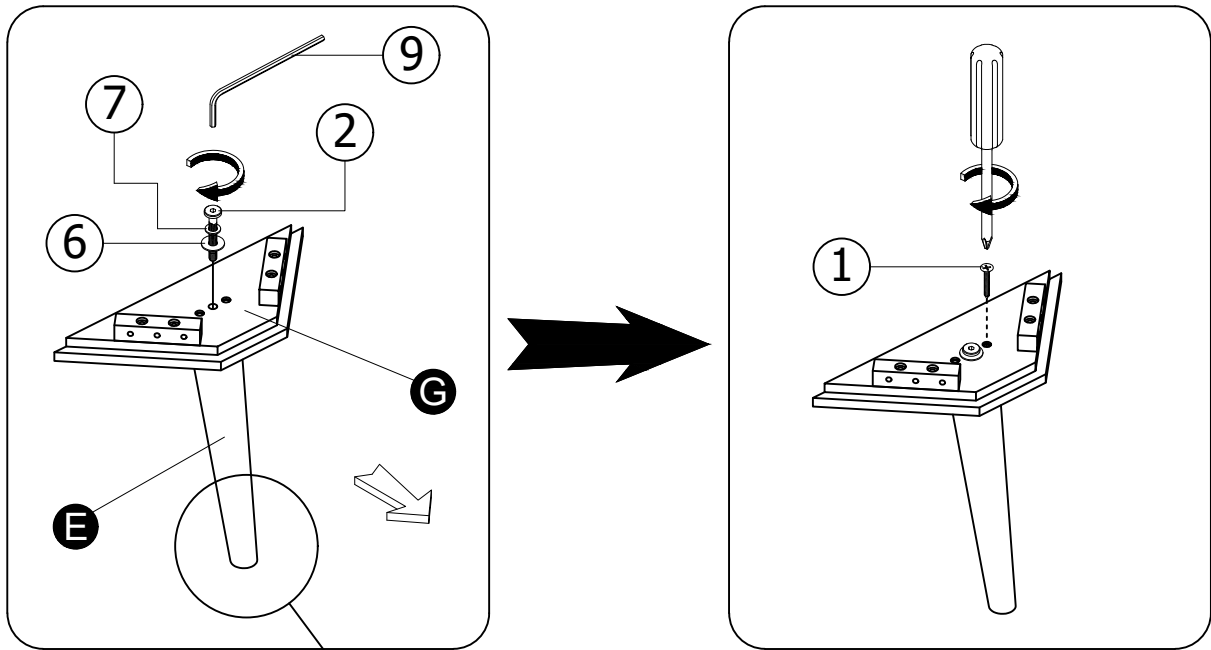
Parts supplied for assembly



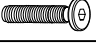


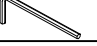
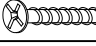
Hardware supplied for assembly



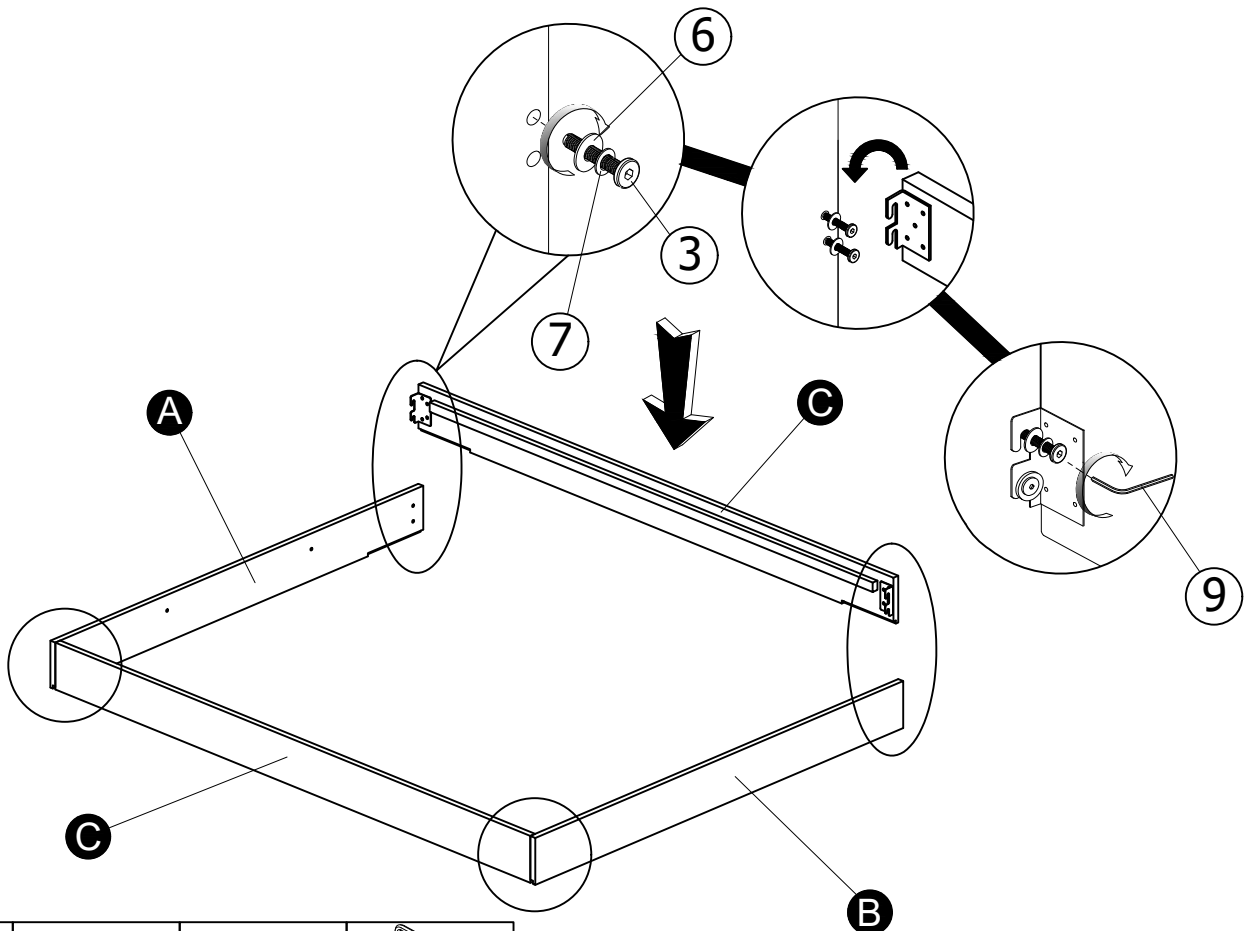
STEP 1

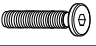




The LEG must be turn to the right position.

				
② X 4 Pieces	⑥ X 4 Pieces	⑦ X 4 Pieces	⑨ X 1 Piece	① X 8 Pieces

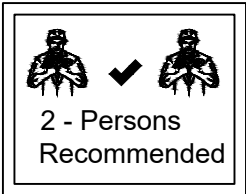
STEP 2



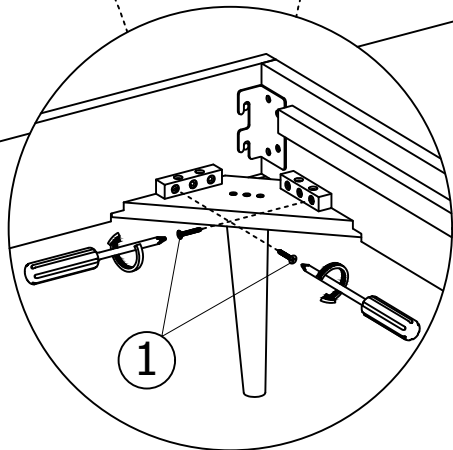
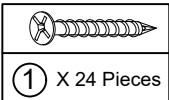
			
③ X 8 Pieces	⑥ X 8 Pieces	⑦ X 8 Pieces	⑨ X 1 Piece

STEP 3

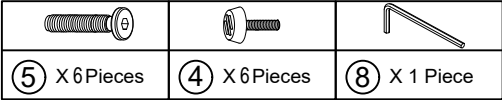
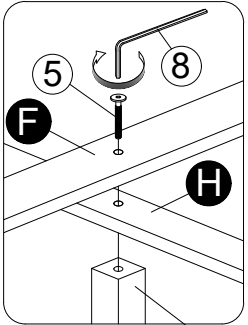
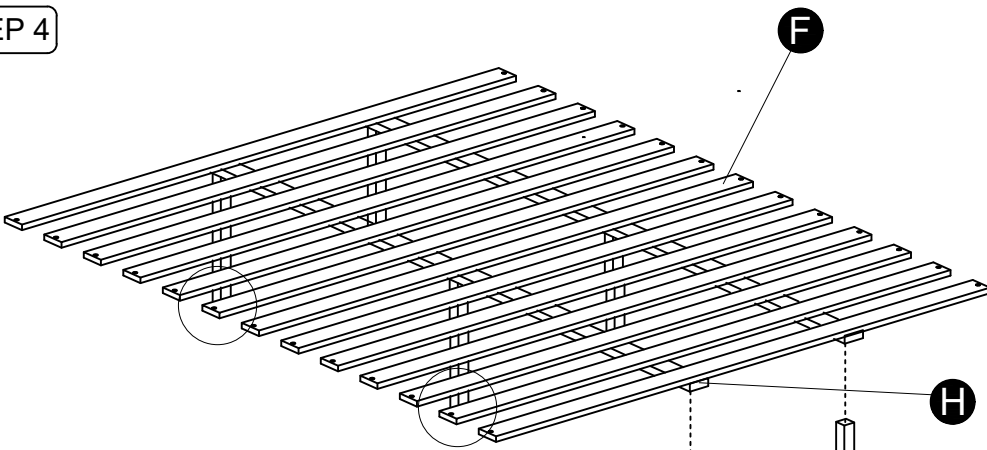
BOX



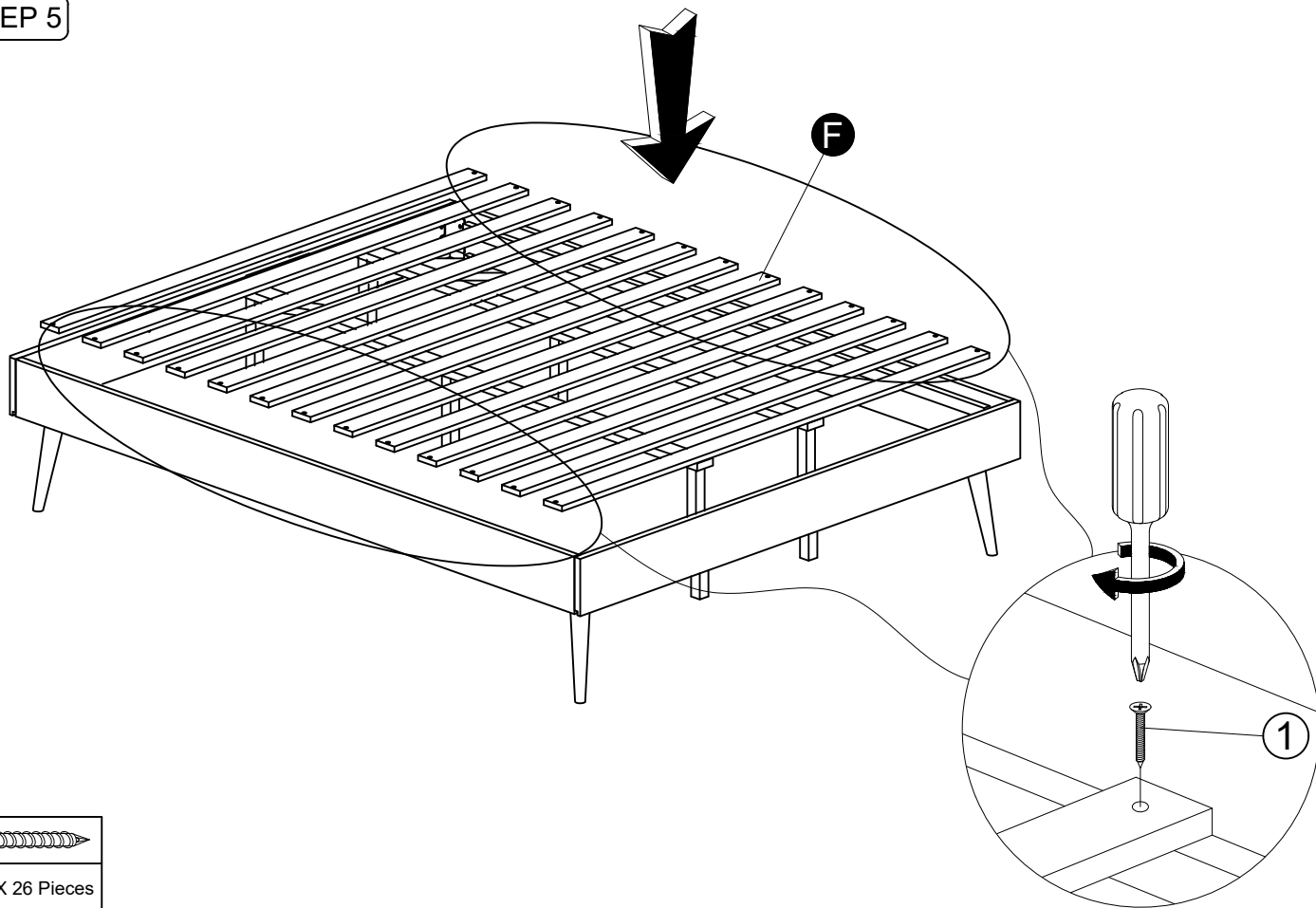
BOX



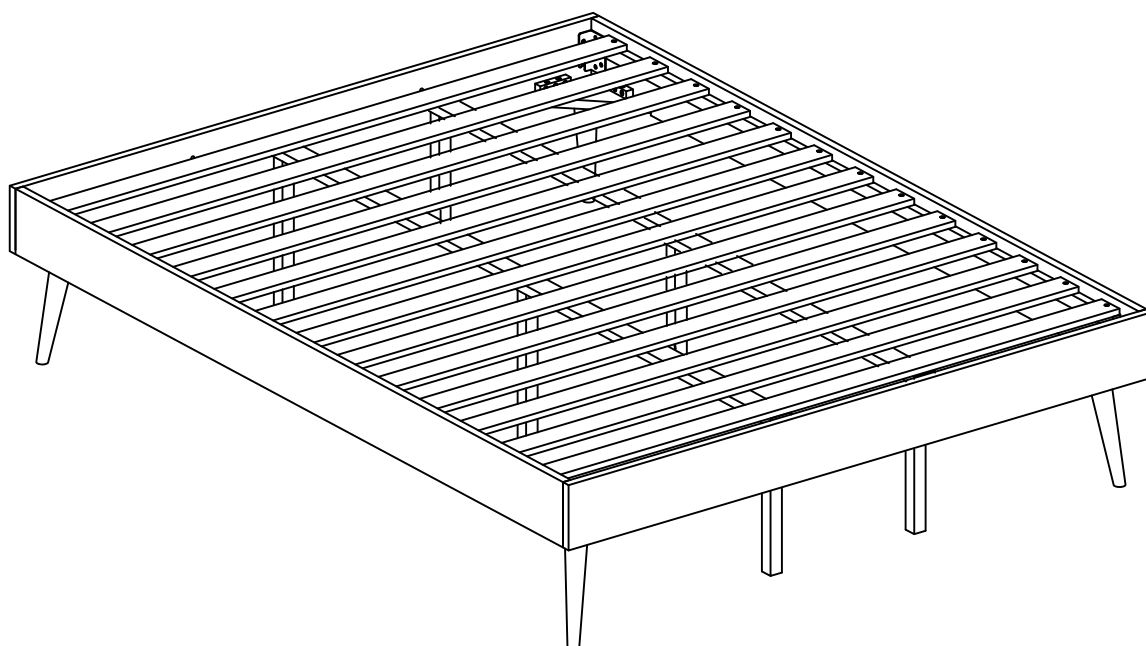
STEP 4



STEP 5



STEP 6



Support legs should have approx 1cm of space from the floor when installed. Please note! If support legs are in contact with the floor when the bed is not in use they can prevent the slats from functioning as intended as well as risk damage to the frame