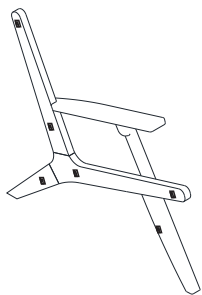
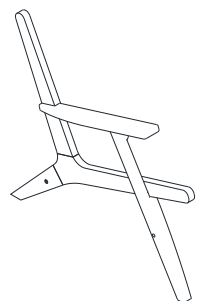


B2C FURNITURE

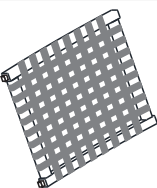
(1)=1X



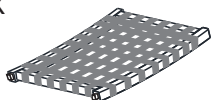
(2)=1X



(3)=1X



(4)=1X



(5)=2X



(A)=2X  (M6x110)

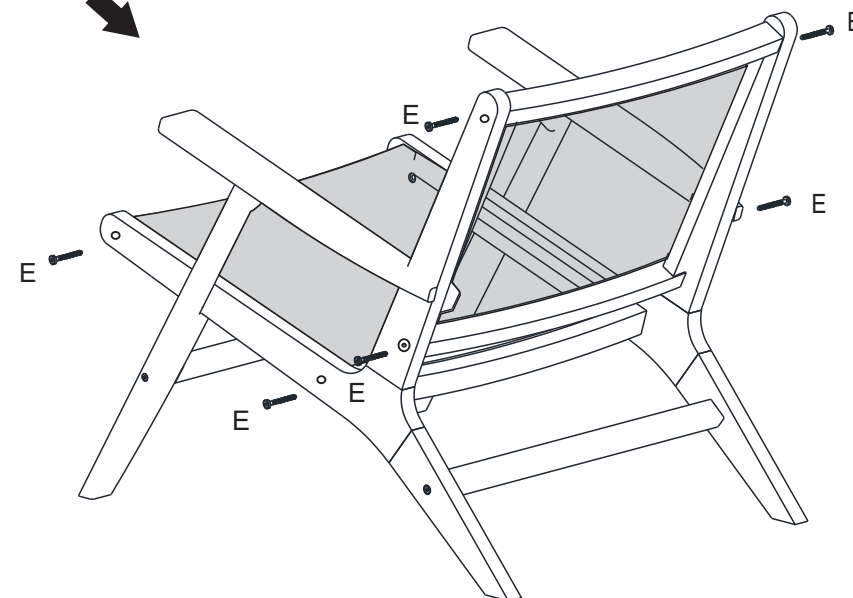
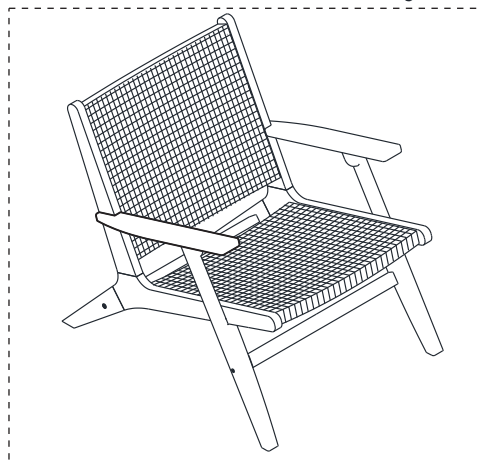
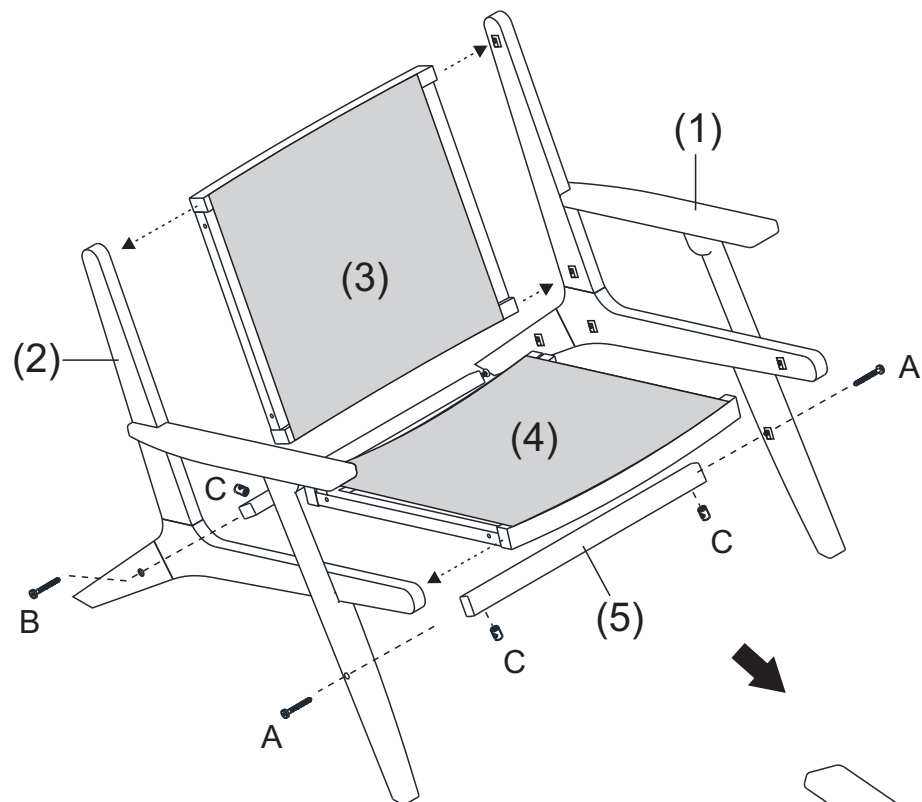
(B)=2X  (M6x60)

(C)=4X  (M6x13)

(D)=1X  (M6x50)

(E)=8x  (M6x45)

(L)=1X 



(Don't fully tighten any Bolts and Screws until all components are assembled)