

MODEL : New Coco Under Bed Storage Drawer

ASSEMBLY INSTRUCTION

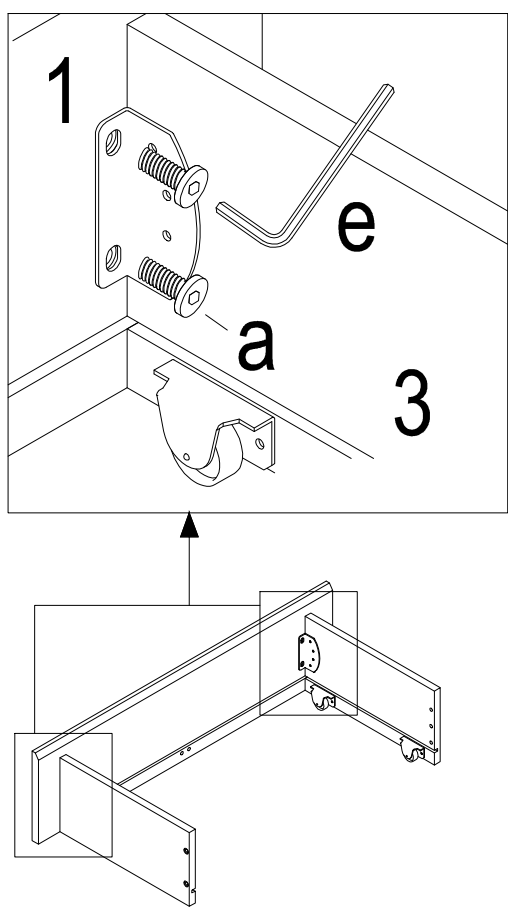
ASSEMBLY TIPS : Remove hardware from box and sort by size. Check that all hardware and parts are present before assembling. Following instruction below in proper sequence to ensure fast, easy and correct assembly.

WARNING : DO NOT FULLY TIGHTEN ALL BOLTS UNTIL ALL PARTS IN PLACE. FAILURE TO FOLLOW THIS INSTRUCTION MAY CAUSE THE BOLTS TO BE MISALIGNED DURING THE ASSEMBLY.

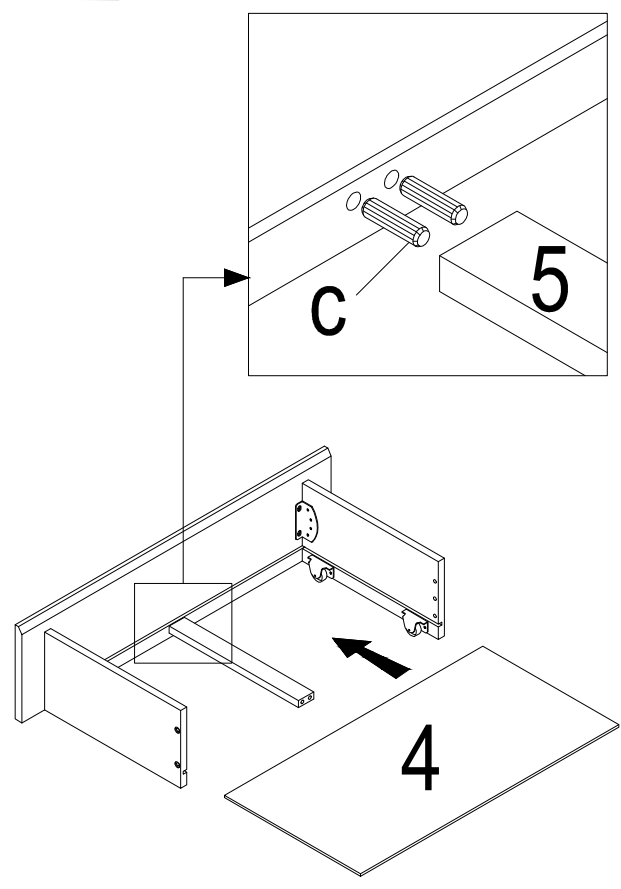
Part List

1		2 pcs
Drawer Front		
2		2 pcs
Drawer Front		
3		4 pcs
Drawer Side		
4		2 pcs
Drawer Btm Panel		
5		2 pcs
Drawer Support Rail		

Step 01



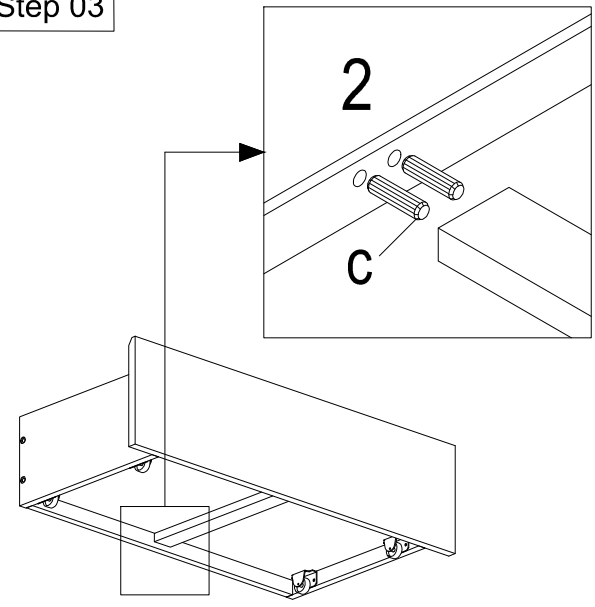
Step 02



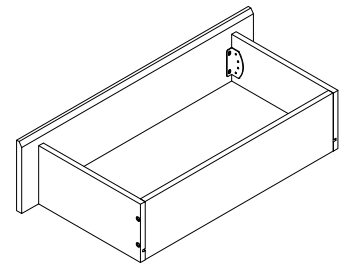
Hardware List

a		4 pcs
JCBC M6 x 15 mm		
b		4 pcs
JCBC M6 x 50 mm		
c		6 pcs
Wood Dowel		
d		4 pcs
Barrel Nut		
e		1 pc
Allen Key M4		

Step 03



COMPLETED ASSEMBLY



Step 04

