



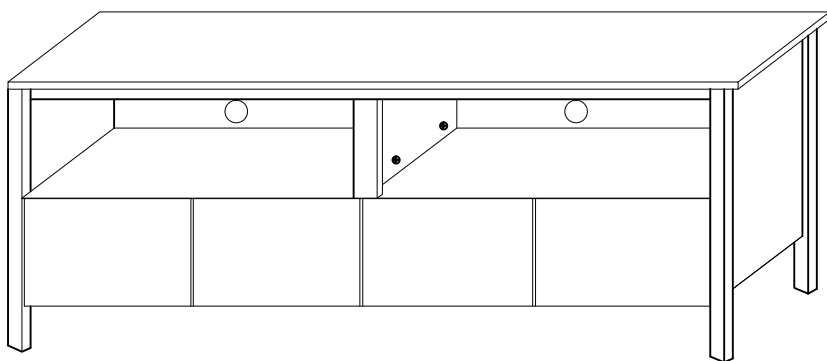
B2C FURNITURE

MODERN HARDWOOD FURNITURE

COCO ENTERTAINMENT UNIT ASSEMBLY INSTRUCTIONS

PARTS LIST			
No.	HARDWARE		Qty.
A	JCBC M6 X 30MM		6
B	MINIFIX		8sets
C	SPRING WASHER M6		6
D	FLAT WASHER M6		6
E	CSK M4 X 30MM		12
F	CSK M3.5 X 16MM		25
G	DOWEL M8 X 30		12
H	ALLEN KEY BALL SHAPE M4		1

PARTS LIST		
No.	PART LIST FOR FRAME	Qty.
1	TOP PANEL	1
2	SIDE PANEL	2
3	FRONT SUPPORT WOOD	1
4	BACK SUPPORT WOOD	1
5	BACK PANEL	1
6	MIDDLE WOOD	1
7	MIDDLE PANEL	1
8	DRAWER - ASSEMBLED	1



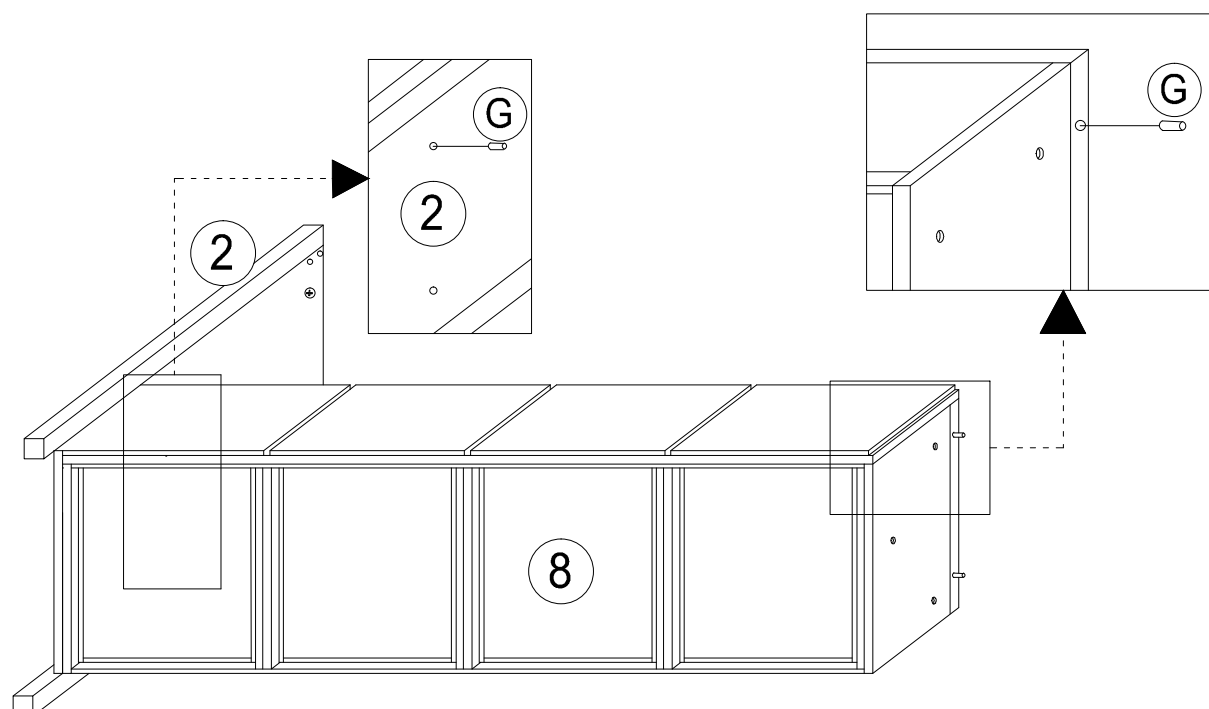
Assembly Tips:

Remove hardware from box and sort by the size parts and hardware for frame and drawers to check that all hardware and parts are present before assembling. Follow instructions below in proper sequence to ensure fast, easy and correct assembly.

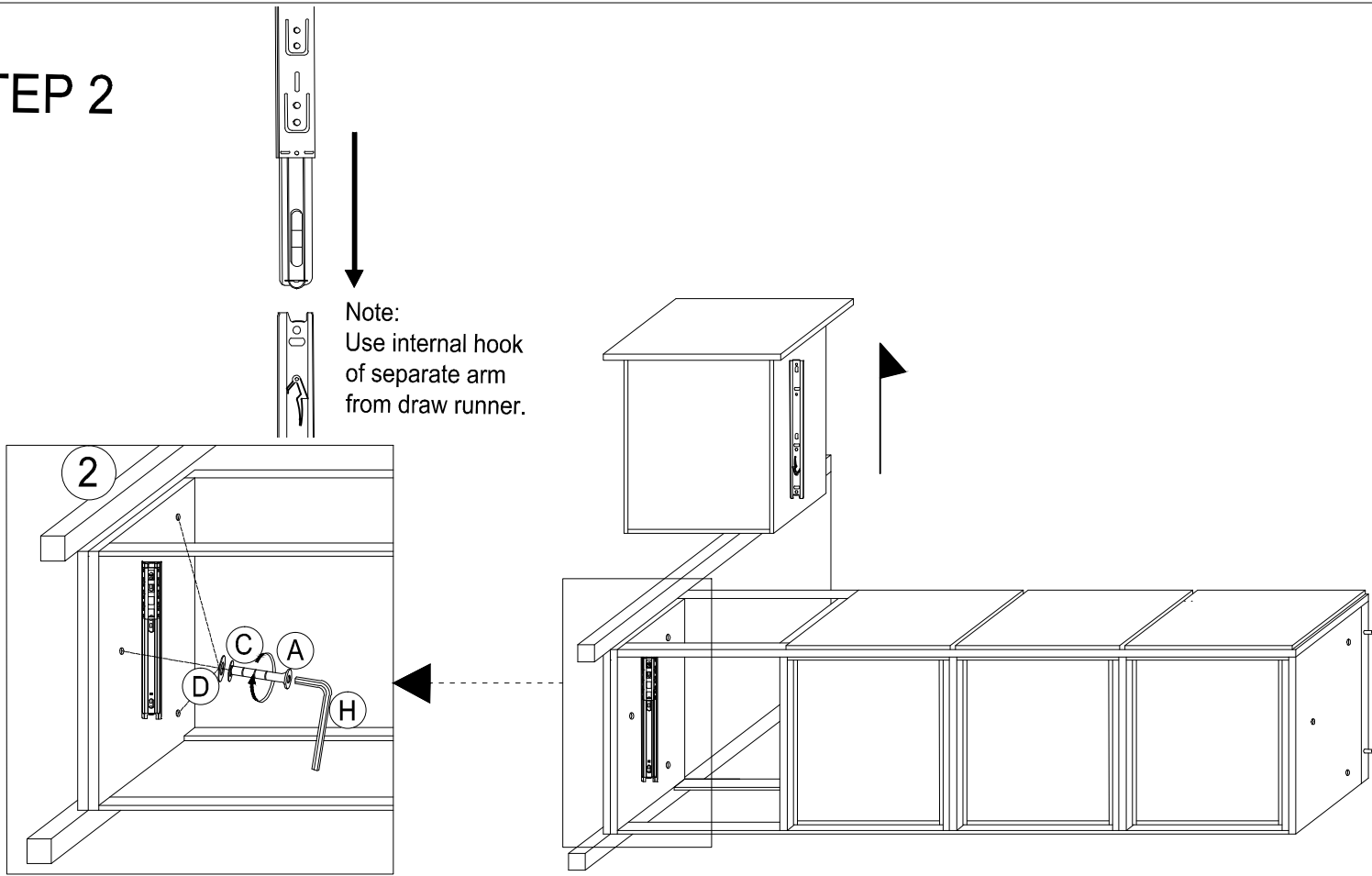
Recommended for assembly:



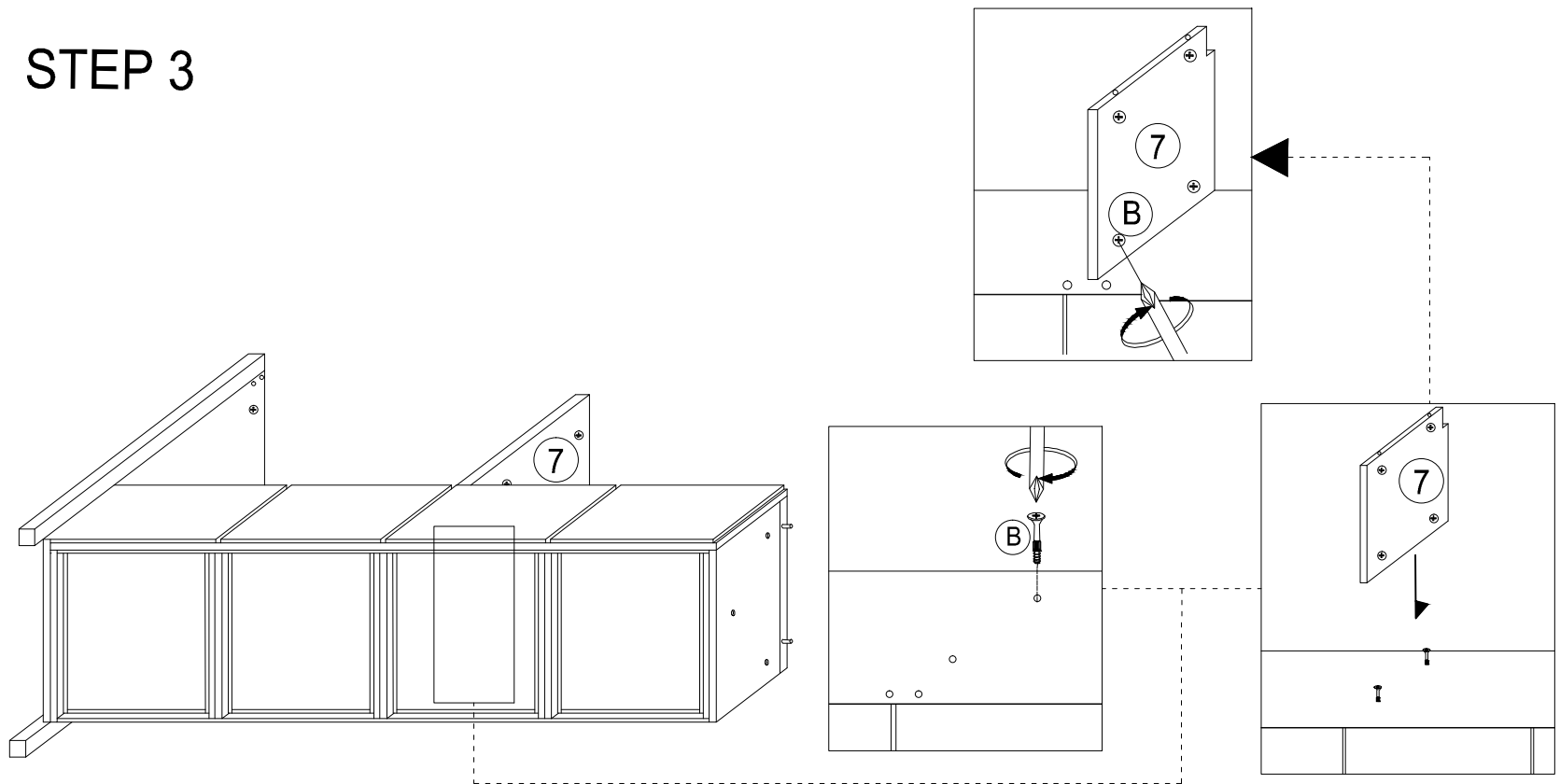
STEP 1



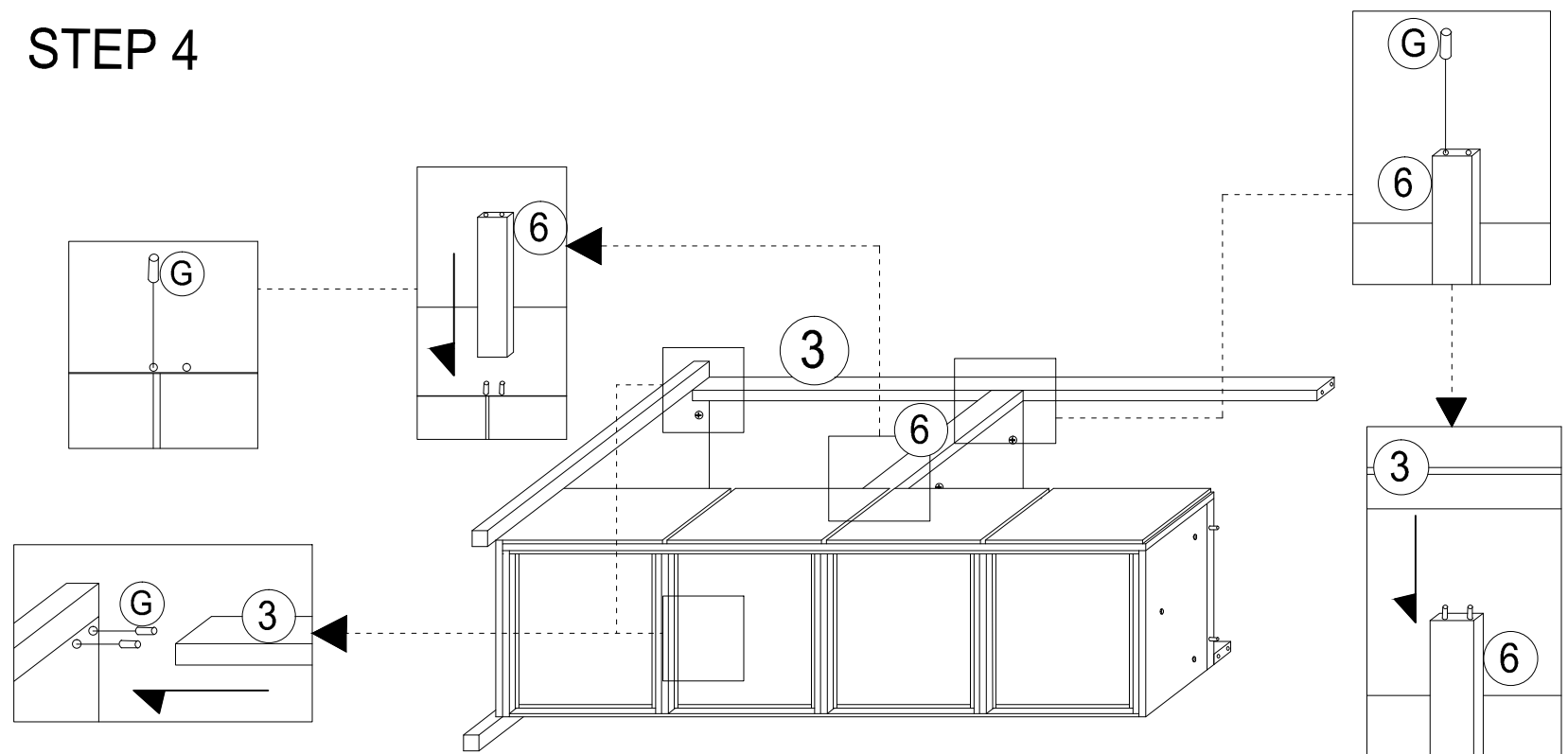
STEP 2



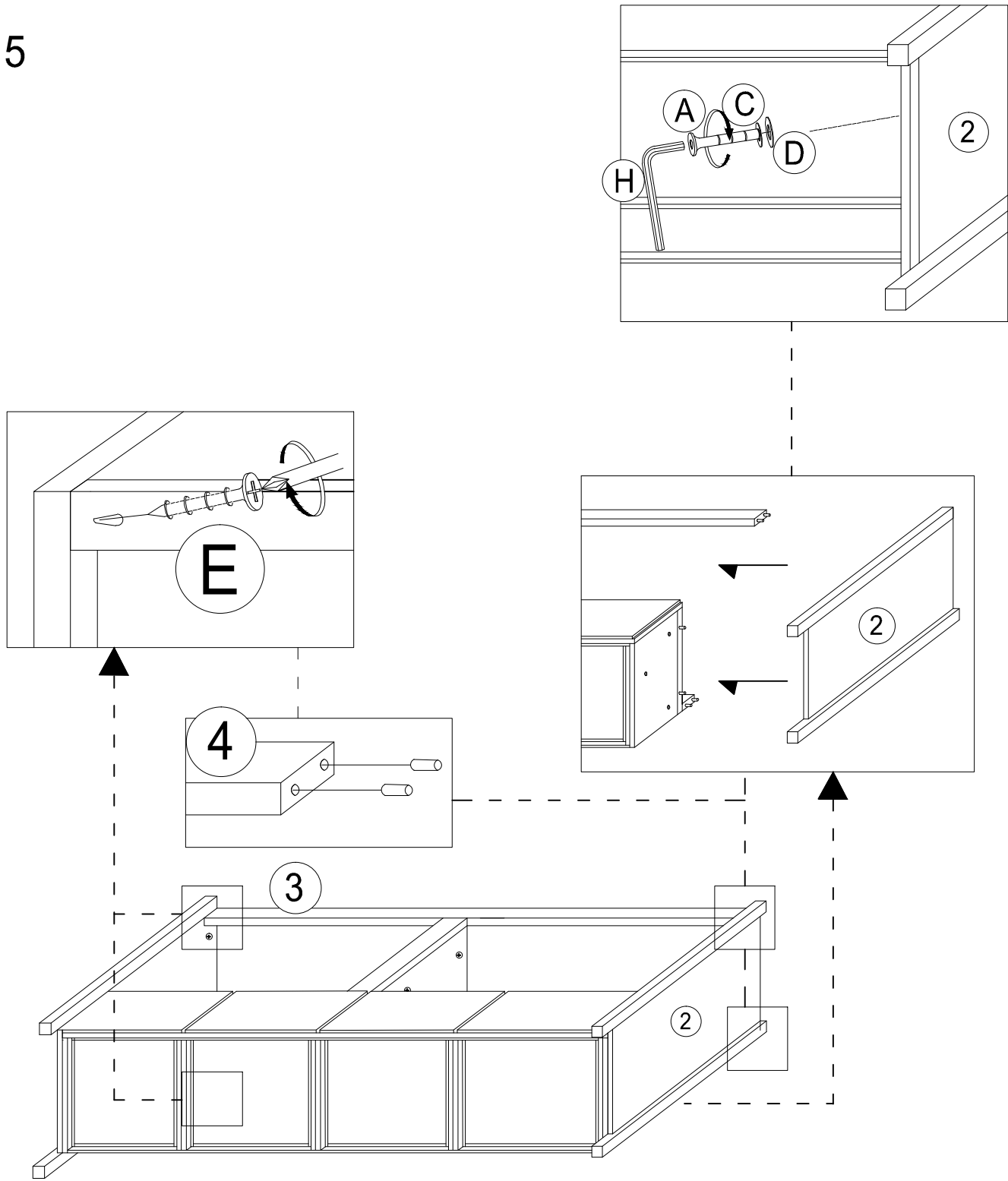
STEP 3



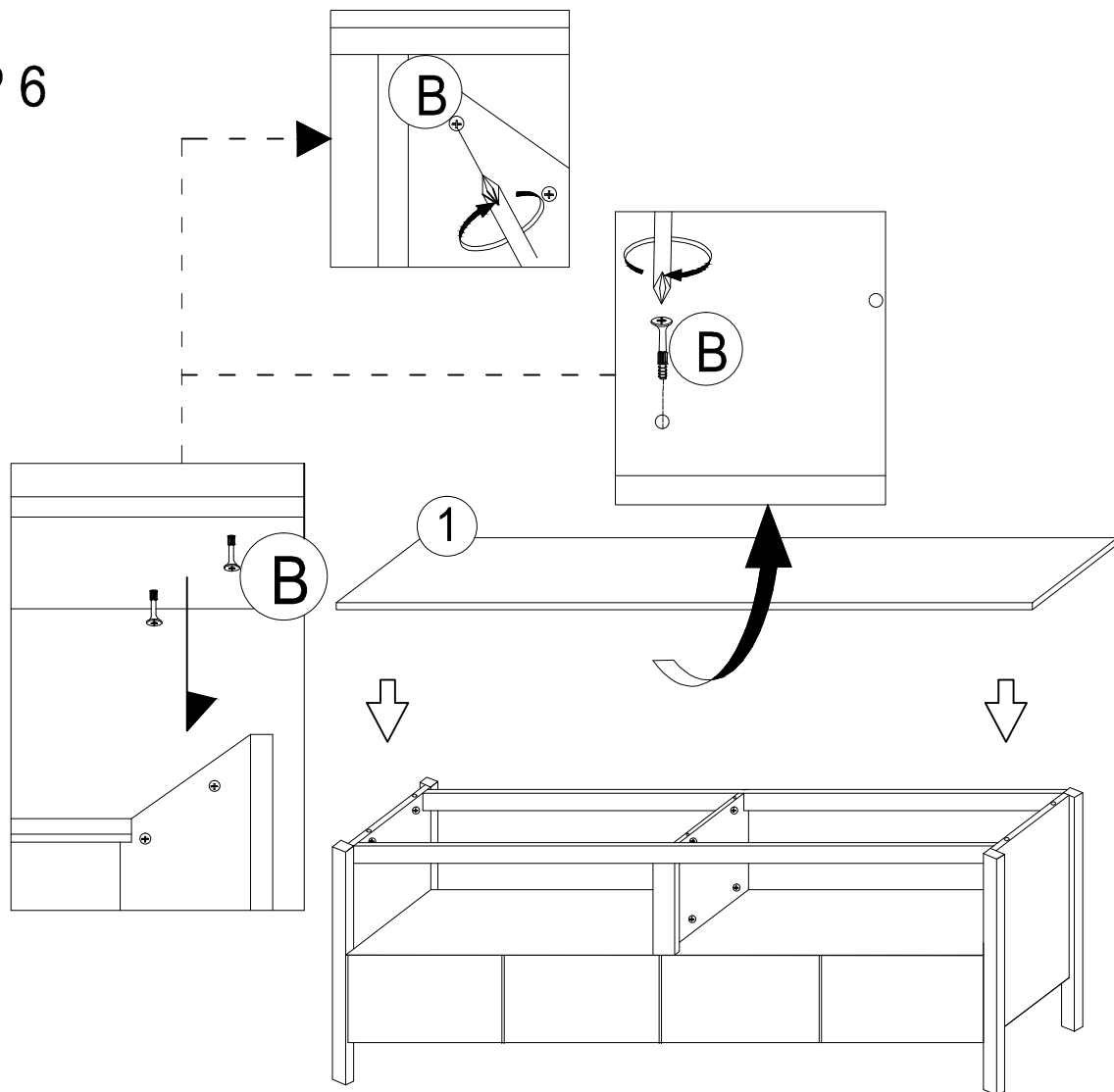
STEP 4



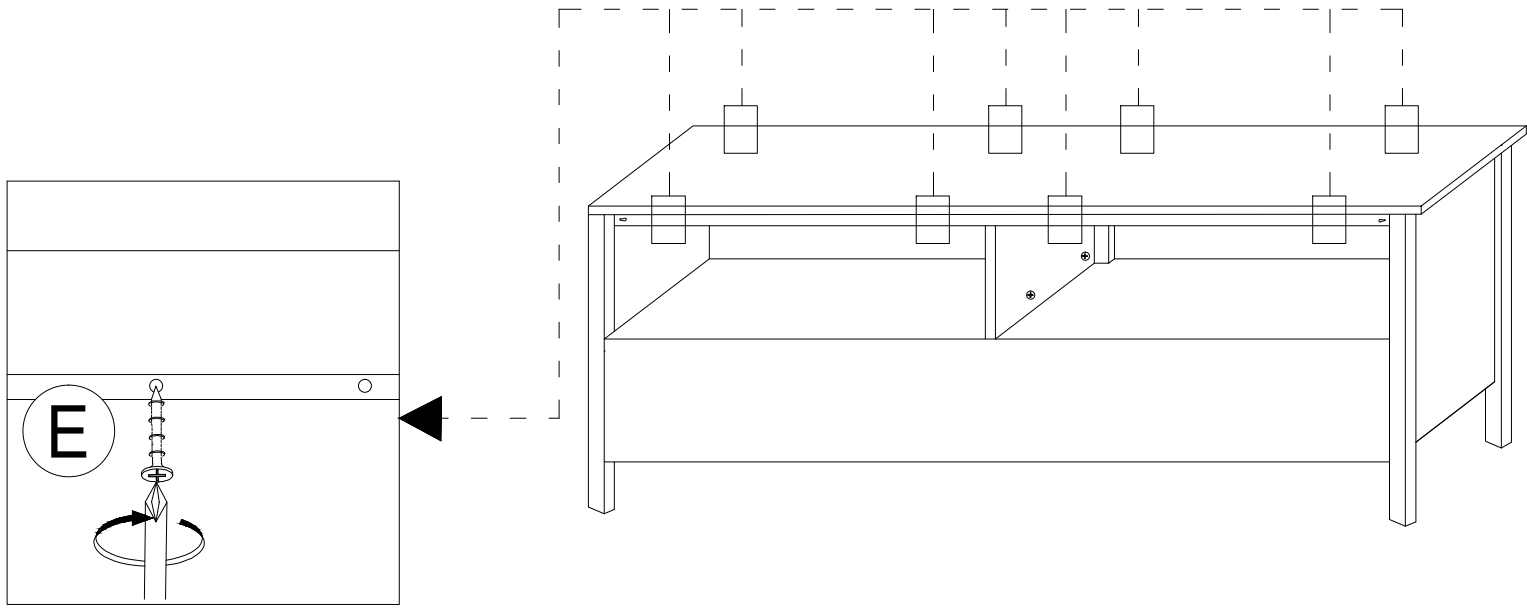
STEP 5



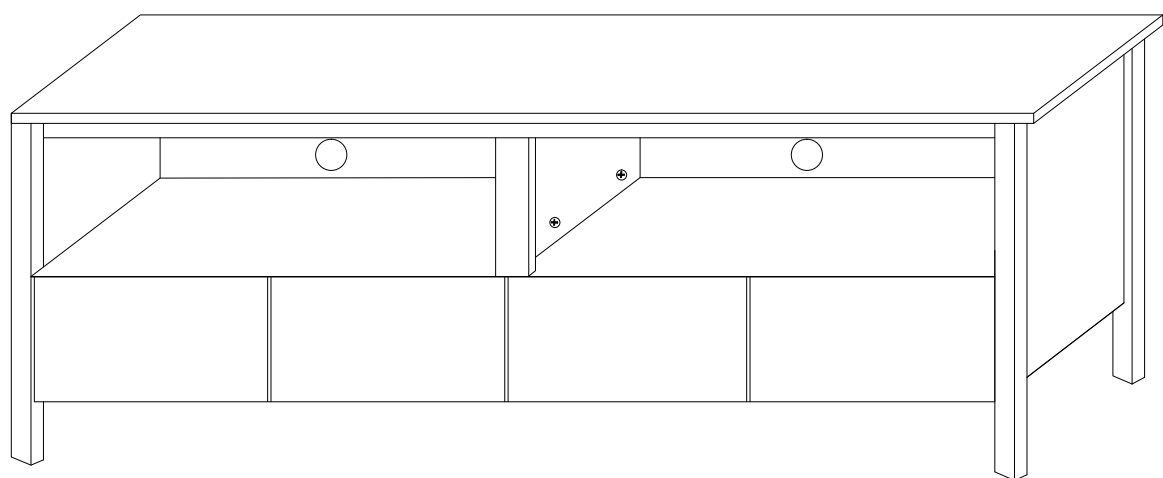
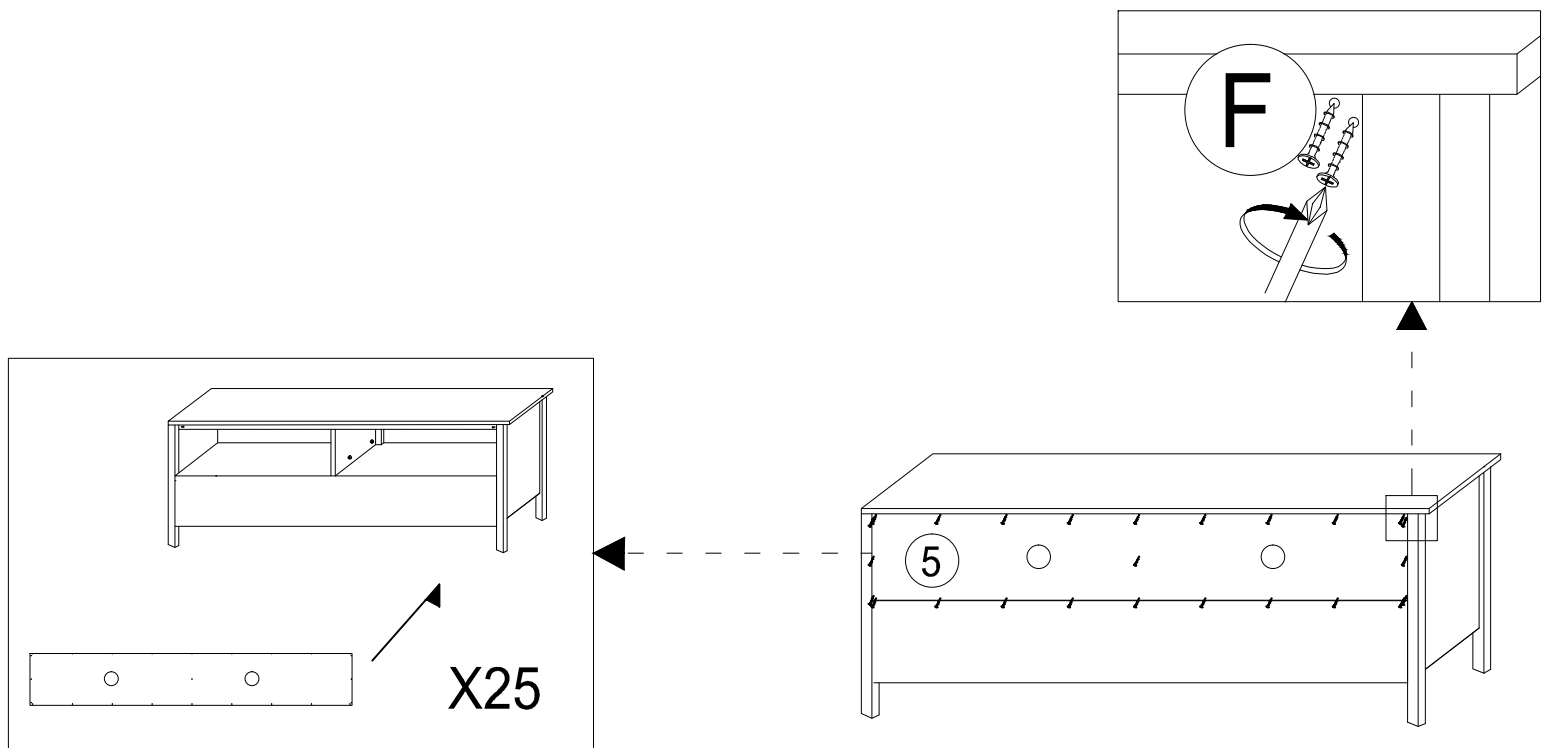
STEP 6



STEP 7



STEP 8



Assembly completed