

ASSEMBLY INSTRUCTIONS

MODEL: TB 8058




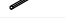
Read this instruction carefully. See hardware and furniture part list for guidance. Be sure all parts are complete before you assemble. Place all wooden furniture parts on a clean and flat surface to prevent from being scratched. Follow the figure to start assembling.

CAUTIONS:

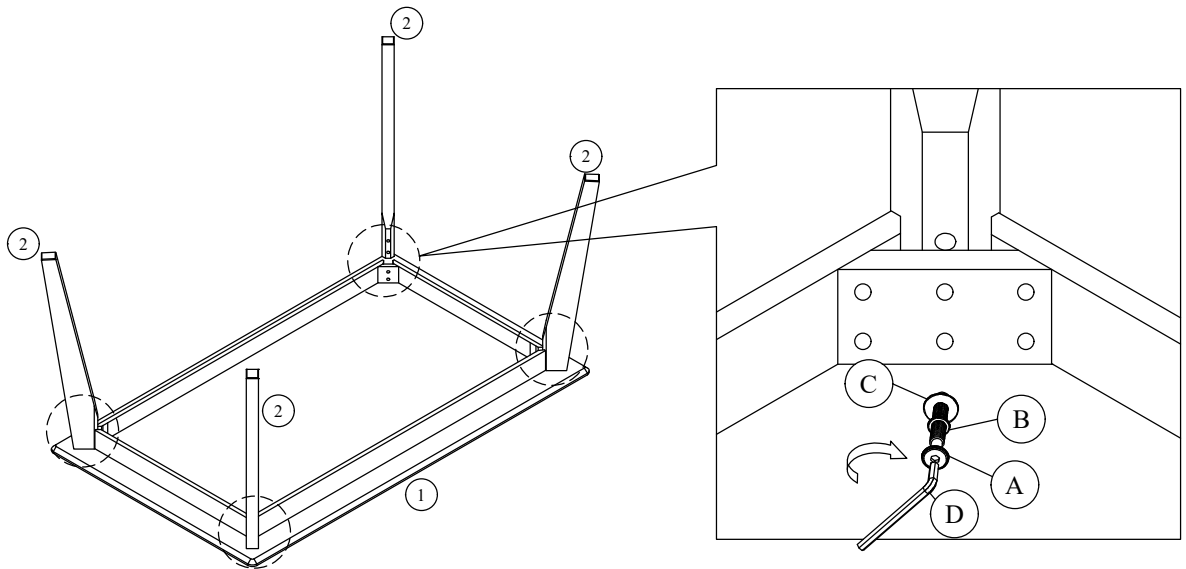
1. Do not **FULLY-TIGHTEN** the nuts or bolts until all nuts or bolt are ready assembled.
2. Do not **OVER-TIGHTEN** the nuts or bolts to avoid causing damages to the thread.
3. Keep all hardware parts out of reach of children.

NOTE: THE LIST AND QUANTITY SHOWN ARE FOR 1 UNIT ASSEMBLY

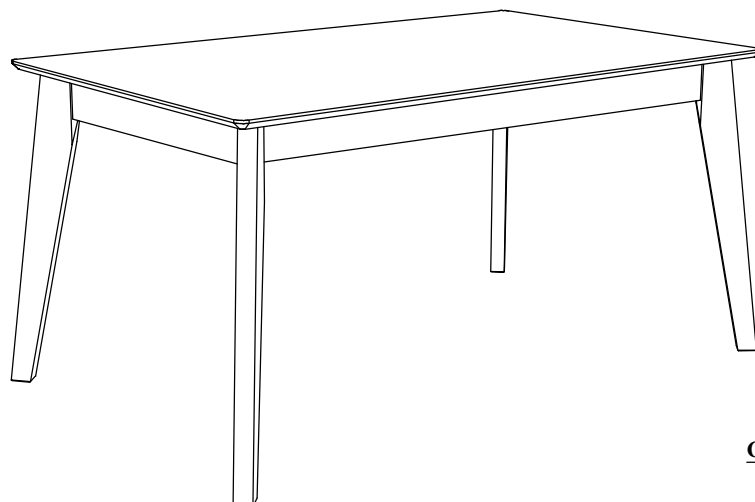
PARTS LIST		
ITEM	DESCRIPTION	QTY
1	TABLE TOP	1 PC
2	TABLE LEG	4 PCS

HARDWARE LIST		
ITEM	DESCRIPTION	QTY
A	JCBB BOLT M8 x 70 	8 PCS
B	SPRING WASHER 	8 PCS
C	FLAT WASHER 	8 PCS
D	ALLEN KEY M5 	1 PC

STEP 1



STEP 2



COMPLETE ASSEMBLY