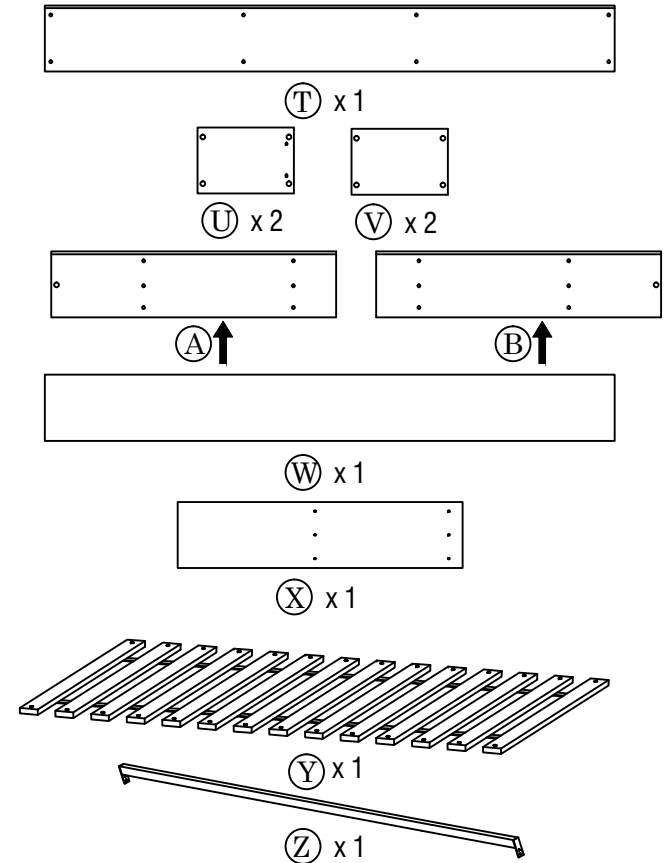
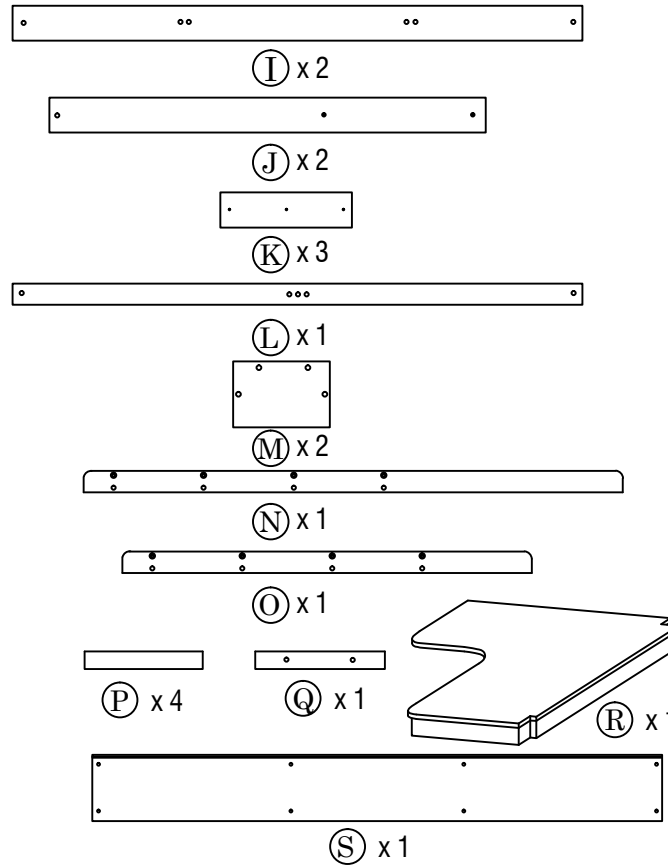
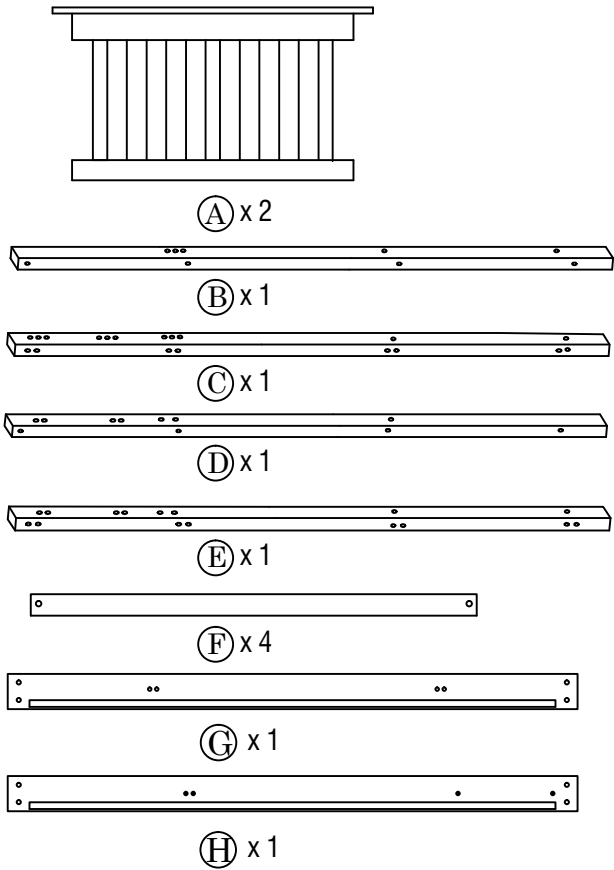





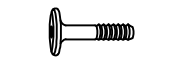
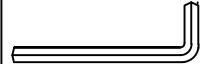
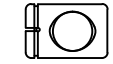
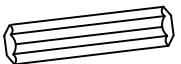
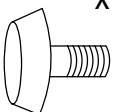
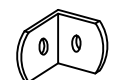
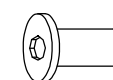
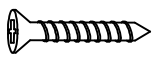

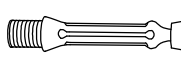

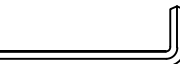




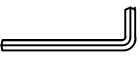

# BUDDY LOFT BUNK BED WITH DESK

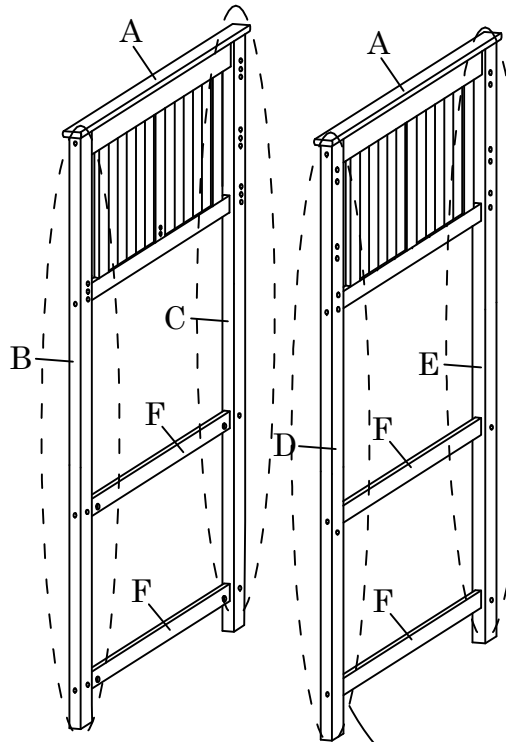


1. x 41	2. x 4	3. x 14	4. x 4	5. x 20	6. x 4	7. x 1	8. x 45	9. x 65
								
M6 x 90mm	M6 x 60mm	M6 x 50mm	M6 x 40mm	M6 x 35mm	M8 x 16mm	ALLEN KEY M4	M6 x 13mm	M8 x 30mm
10. x 2	11. x 4	12. x 2	13. x 30	14. x 38	15. x 22	16. x 22	17. x 1	
								
ADJUSTER	L-BRACKET	JCN NUT	M4 x 32mm	M3.5 x 16mm	MINIFIX BOLT	MINIFIX CAM	ALLEN KEY M5	

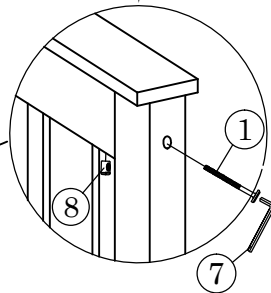
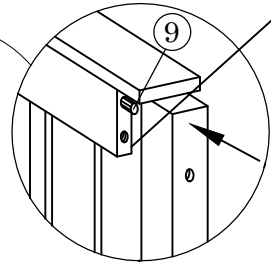
# BUDDY LOFT BUNK BED WITH DESK

1


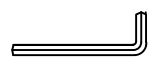


1.  x 16 M6 x 90mm	8.  x 16 M6 x 13mm
7.  x 1 M4	9.  x 16 M8 x 30mm



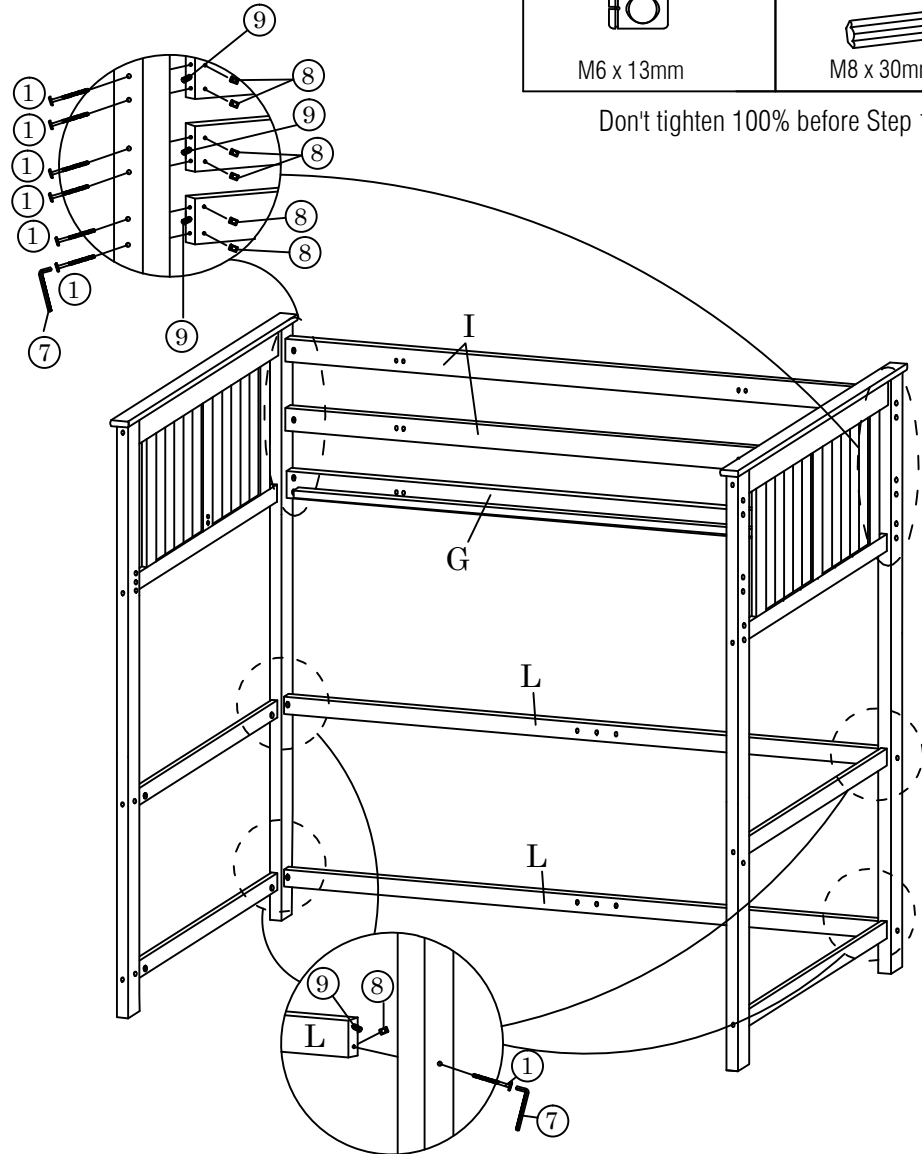
Part label stickers A, B & C should all face the inside of the bed when assembled



2



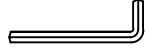


1.  x 16 M6 x 90mm	7.  x 1 M4
8.  x 16 M6 x 13mm	9.  x 10 M8 x 30mm

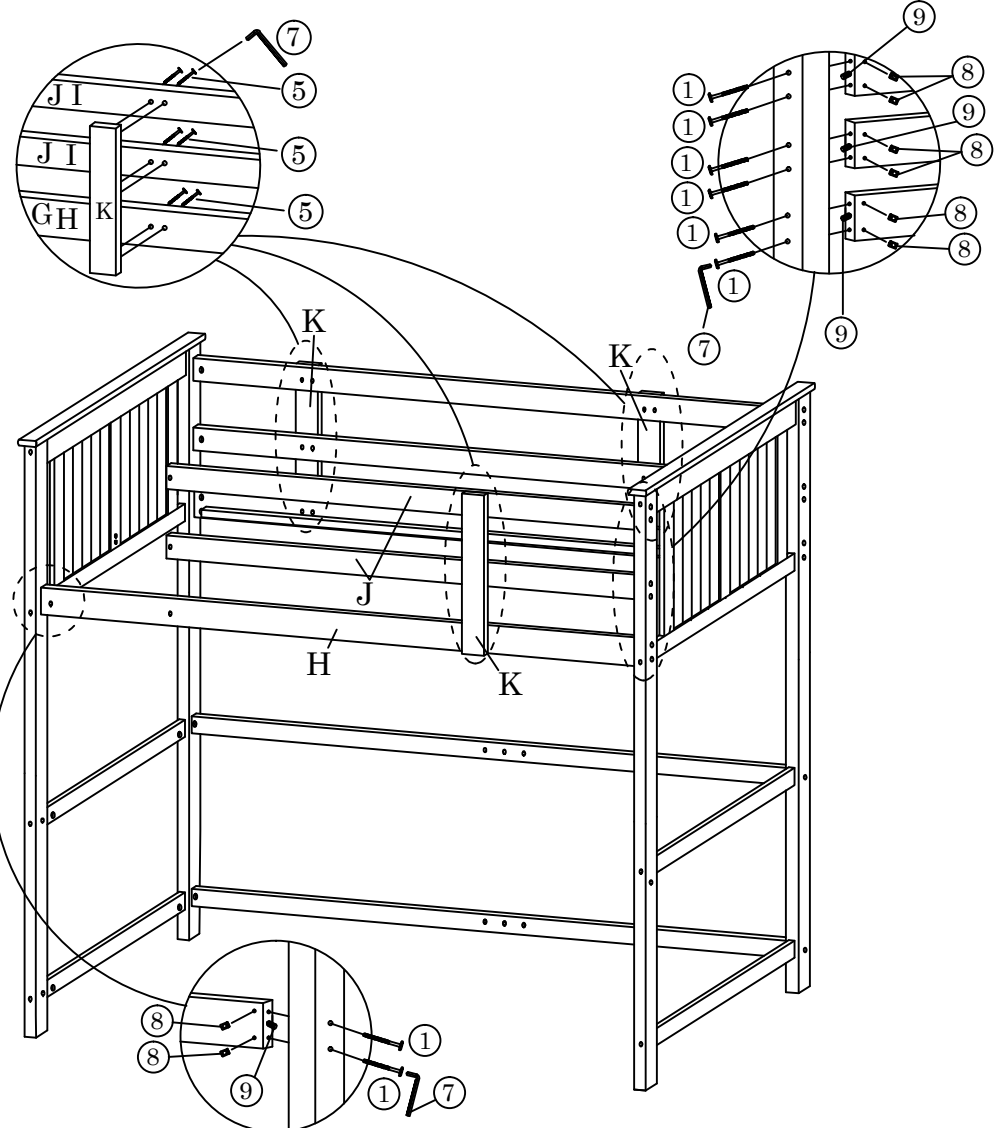
Don't tighten 100% before Step 11



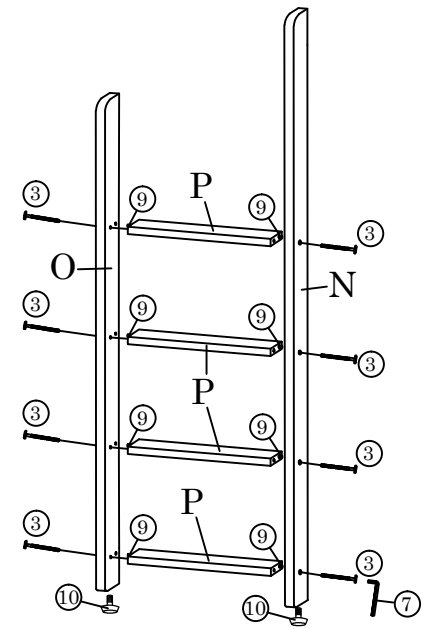
# BUDDY LOFT BUNK BED WITH DESK


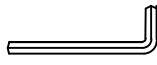

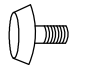
3

- |   |  |   |
|---|--|---|
| 1.  x 8<br>M6 x 90mm | 5.  x 18<br>M6 x 35mm | 7.  x 1<br>M4 |
| 8.  x 8<br>M6 x 13mm | 9.  x 4<br>M8 x 30mm |   |


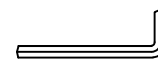


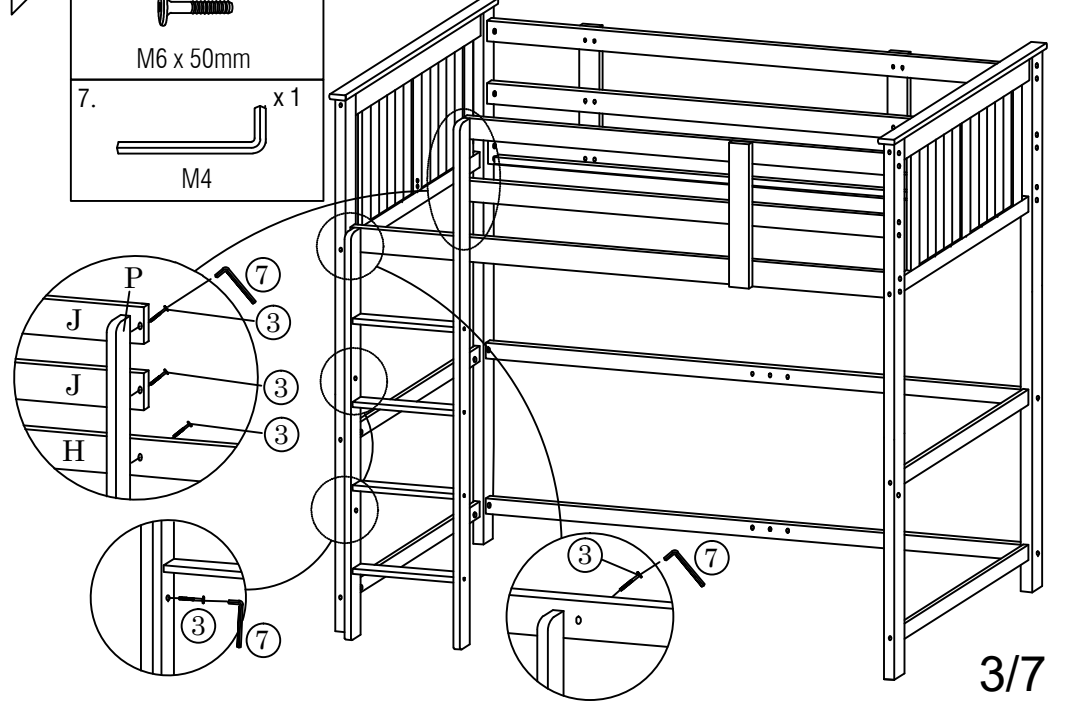
4



- |   |
|---|
| 3.  x 8<br>M6 x 50mm |
| 7.  x 1<br>M4        |
| 9.  x 8<br>M8 x 30mm |
| 10.  x 2<br>ADJUSTER |


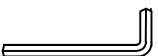




5

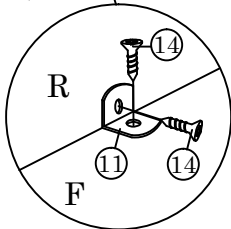
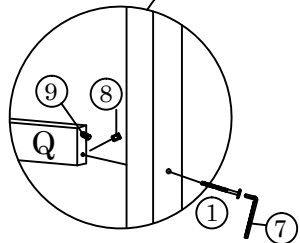
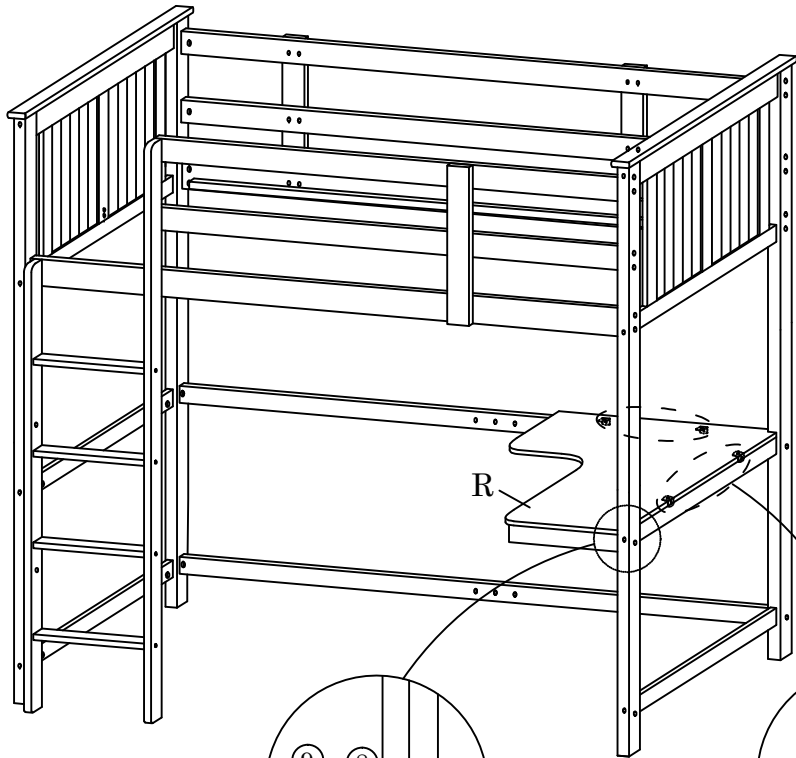
- |   |
|---|
| 3.  x 6<br>M6 x 50mm |
| 7.  x 1<br>M4        |



# BUDDY LOFT BUNK BED WITH DESK



6

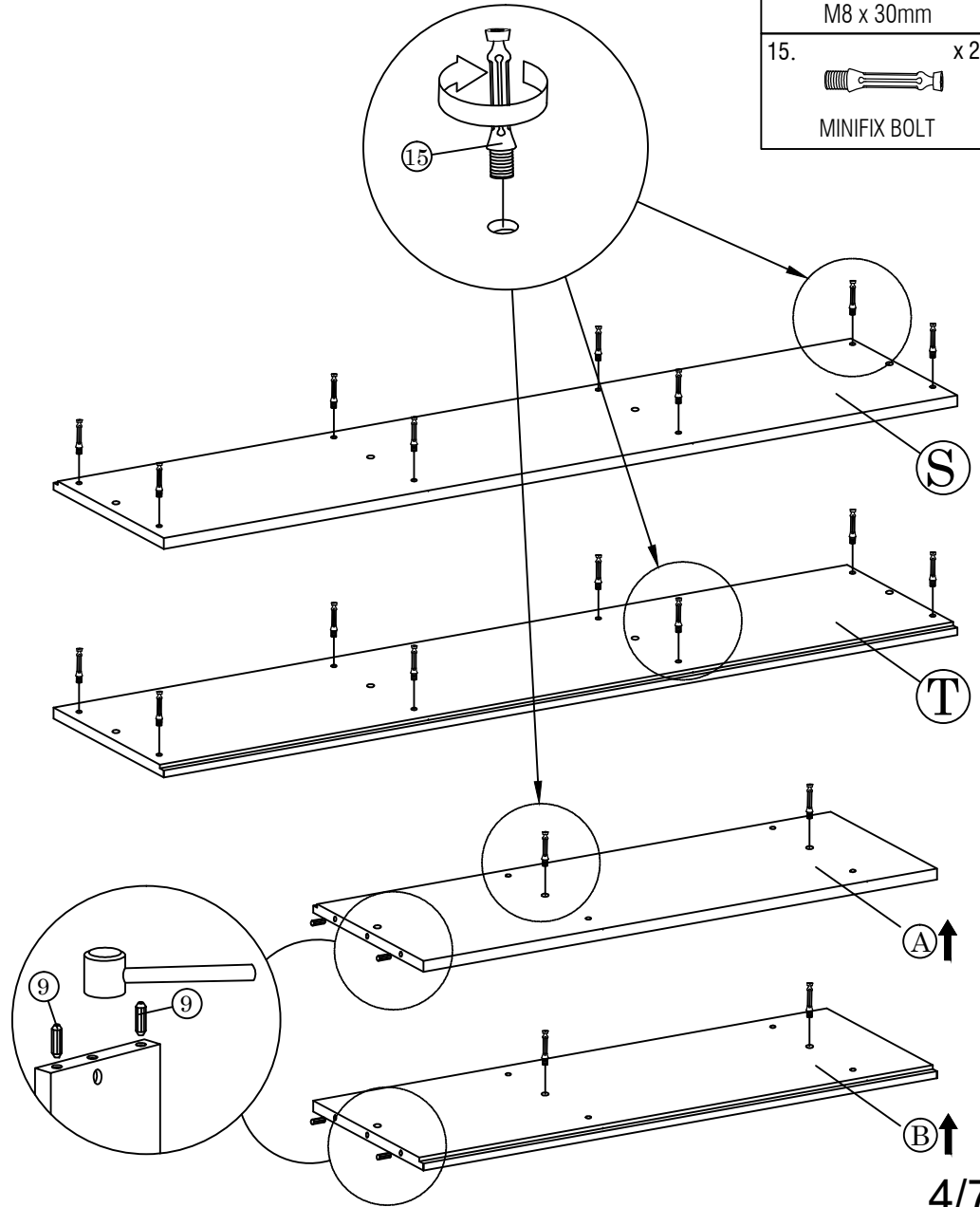
1.  x 1 M6 x 90mm	7.  x 1 M4	8.  x 1 M6 x 13mm
9.  x 1 M8 x 30mm	11.  x 4 L-BRACKET	14.  x 8 M3.5 x 16mm



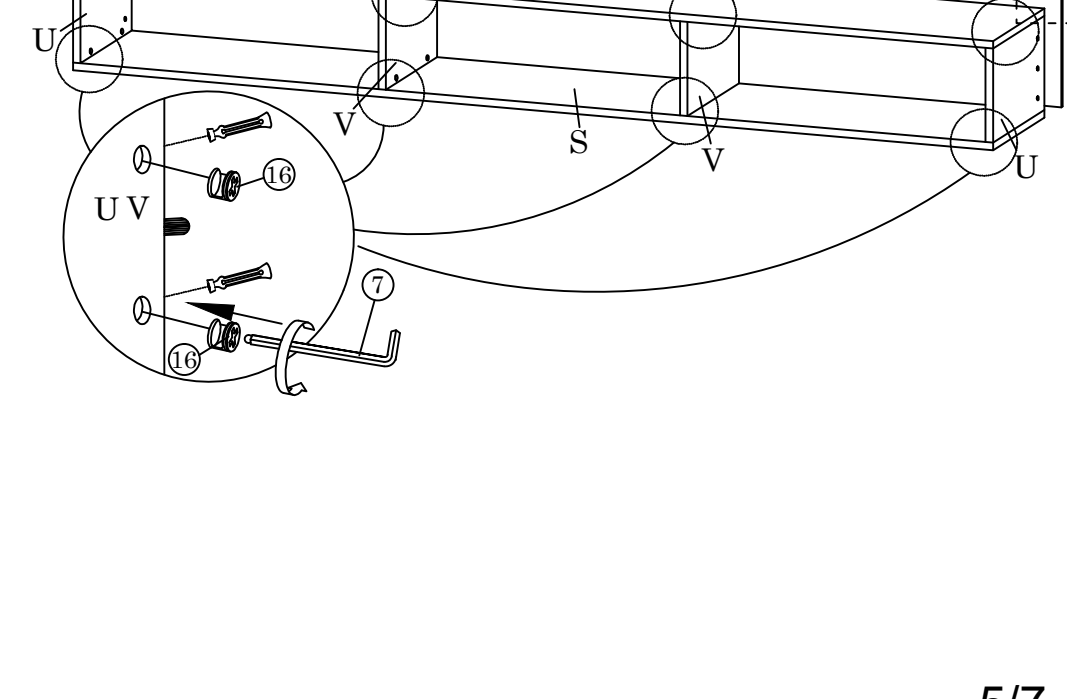
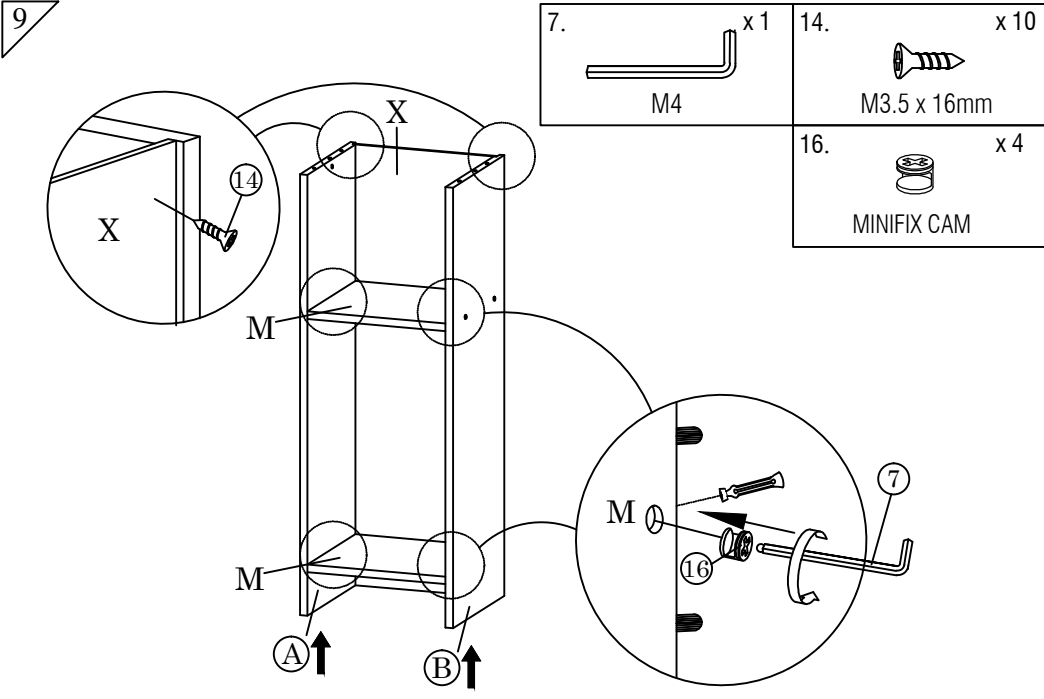
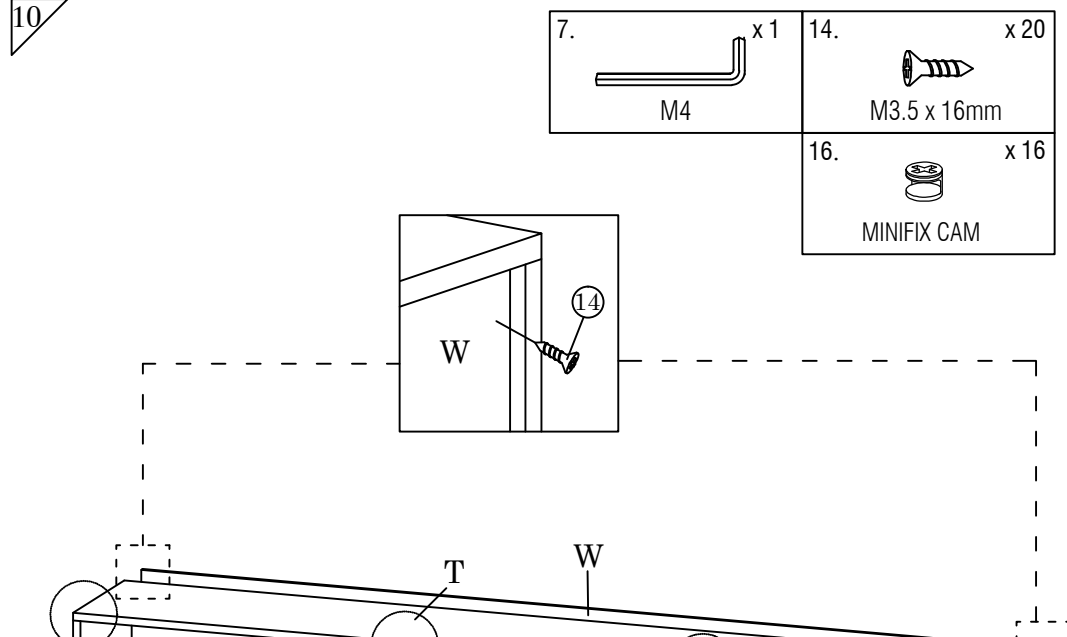
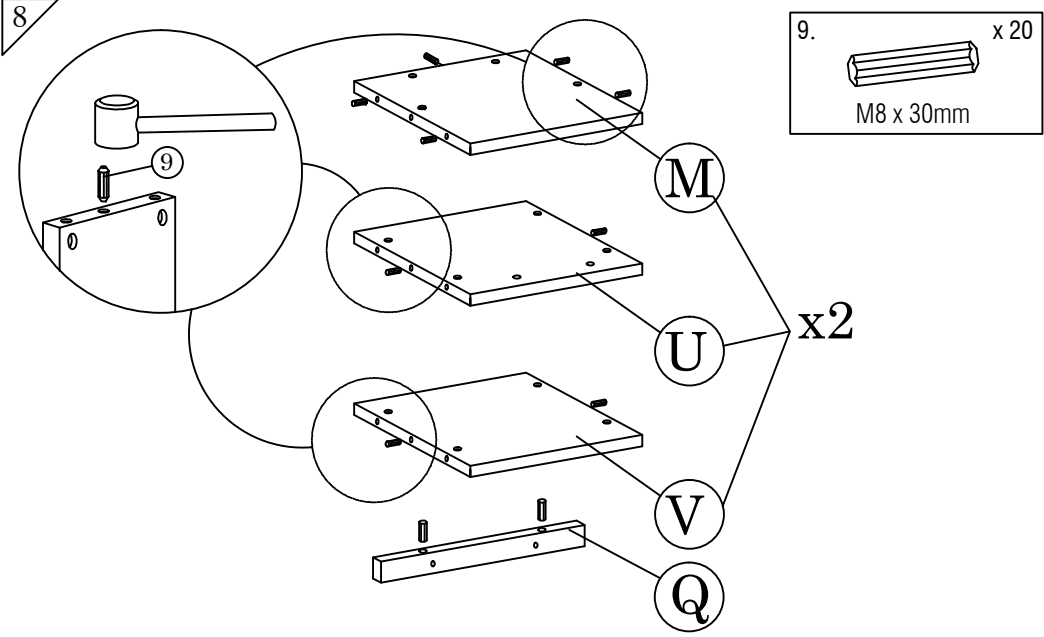
7

Please make sure the minifix bolt in straight position and screw until flat with wood panel.

9.  x 4 M8 x 30mm
15.  x 20 MINIFIX BOLT


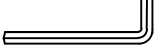




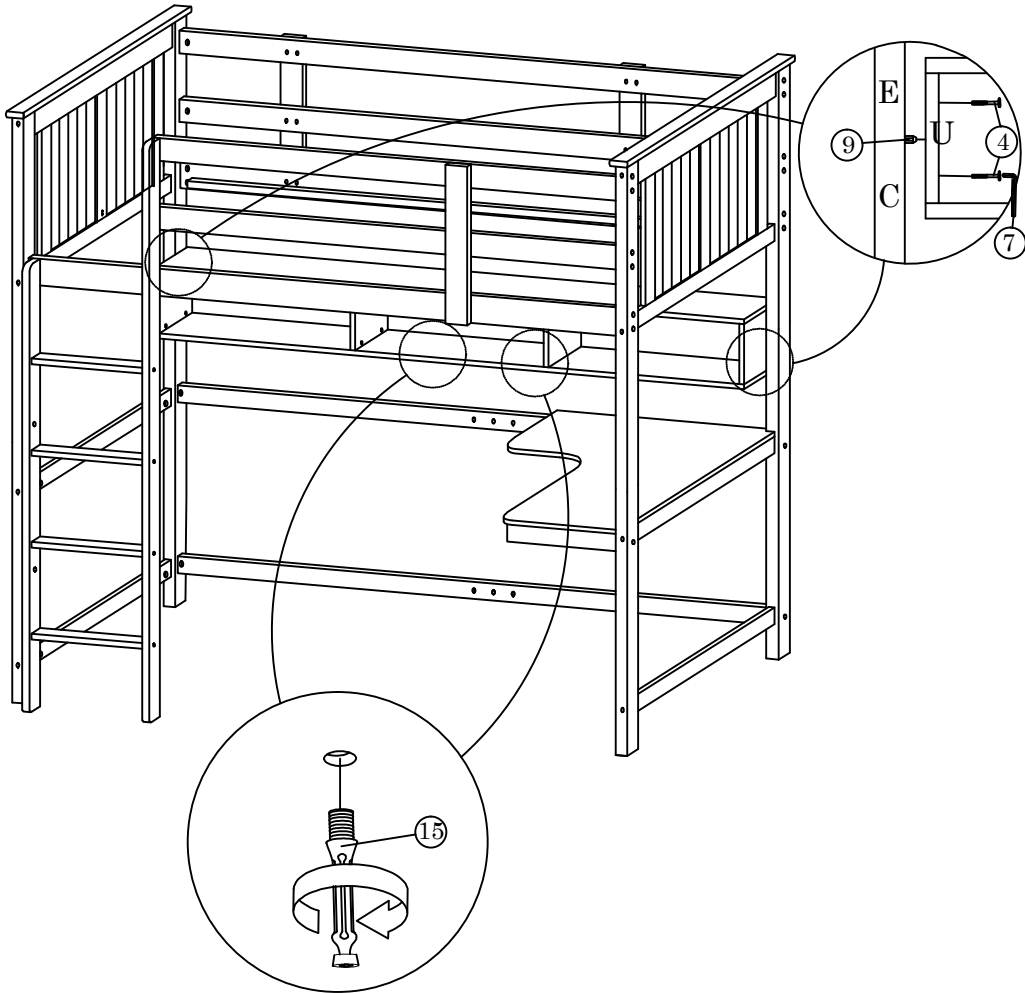
# BUDDY LOFT BUNK BED WITH DESK







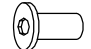

# BUDDY LOFT BUNK BED WITH DESK

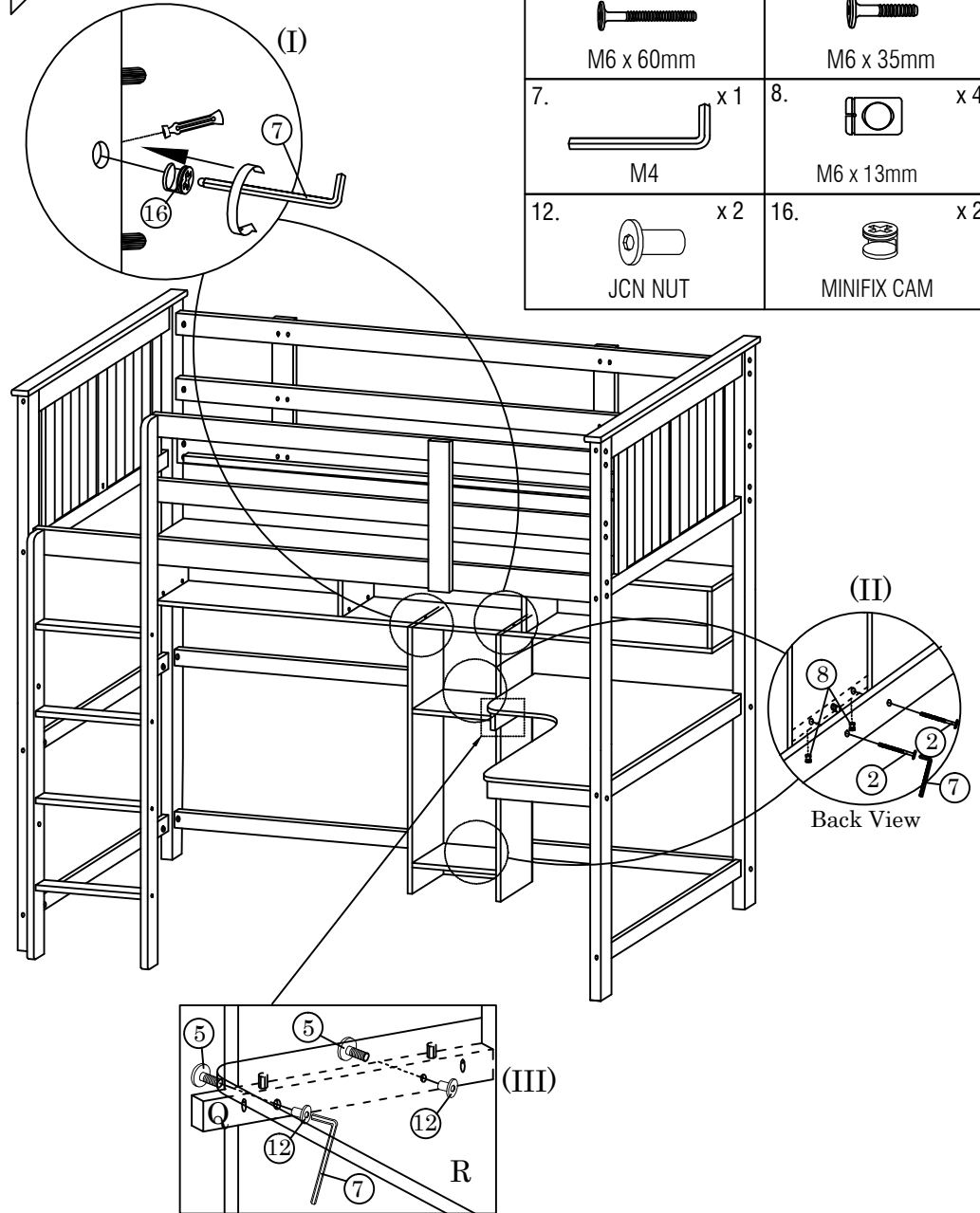
11

4.  x 4 M6 x 40mm	7.  x 1 M4	9.  x 2 M8 x 30mm
		15.  x 2 MINIFIX BOLT



12

2.  x 4 M6 x 60mm	5.  x 2 M6 x 35mm
7.  x 1 M4	8.  x 4 M6 x 13mm
12.  x 2 JCN NUT	16.  x 2 MINIFIX CAM



# BUDDY LOFT BUNK BED WITH DESK

13

"You must screw in each and every Slat with screws provided - please note that failure to do so will affect the structural integrity of the bed"

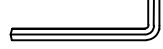
6. x 4



M8 x 16mm

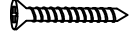
14

17. x 1



M5

13. x 30



M4 x 32mm

