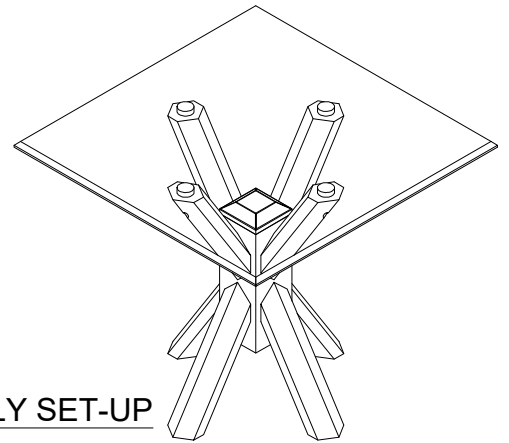


ASSEMBLY INSTRUCTIONS

MODEL : TB 8066

PARTS LIST		
NO	DESCRIPTION	QTY
1	TABLE TOP (GLASS)	1 PC
2	HUB CAP	1 PC
3	HUB DRILLING	1 PC
4	TOP LEG	4 PCS
5	BOTTOM LEG	4 PCS

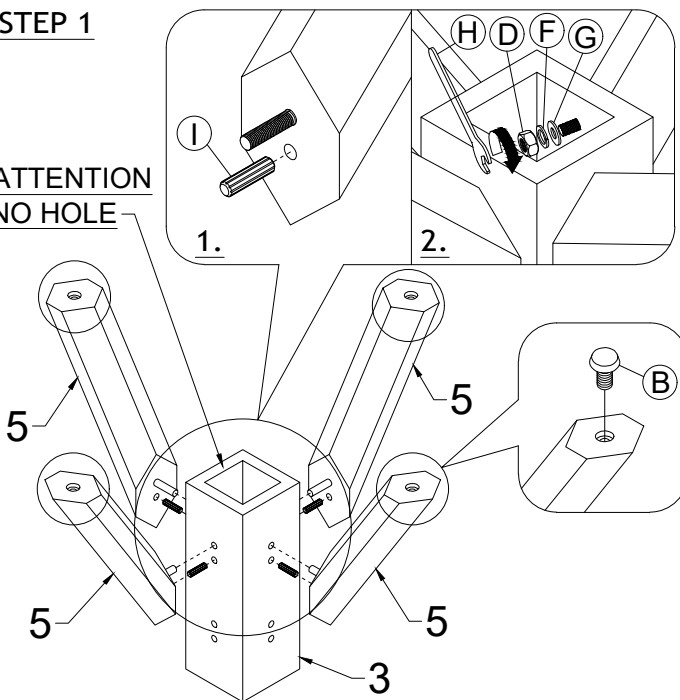
HARDWARE LIST		
NO.	DESCRIPTION	QTY
A	JCBC BOLT M6 x 35mm	4 PCS
B	ADJUST SCREW M6 x 23mm	4 PCS
C	WOOD DOWEL 8M x 20	2 PCS
D	HEX NUT 5/16	8 PCS
E	ALLEN KEY M4 (long)	1 PC
F	SPRING WASHER 5/16	8 PCS
G	FLAT WASHER 5/16 (22mm)	8 PCS
H	SPANNER 13 mm	1 PC
I	WOOD DOWEL 10M x 30	8 PCS



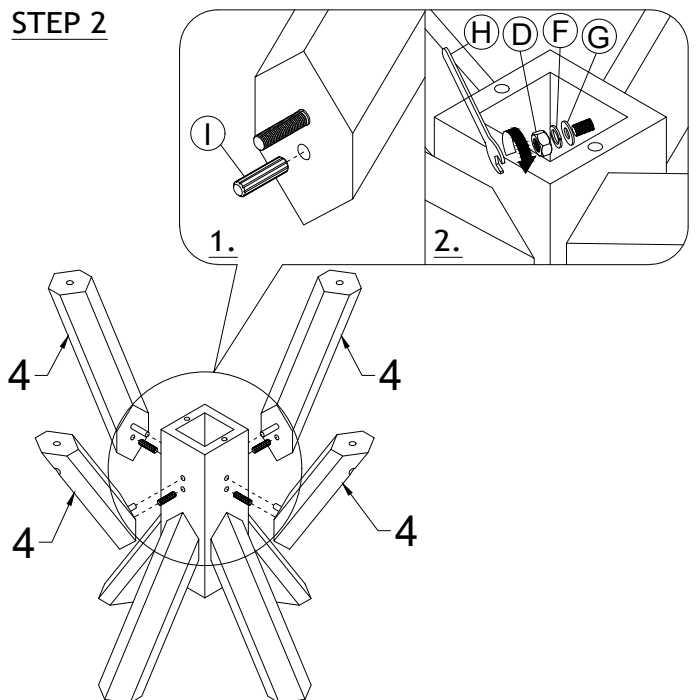
FULLY SET-UP

STEP 1

**ATTENTION
NO HOLE**

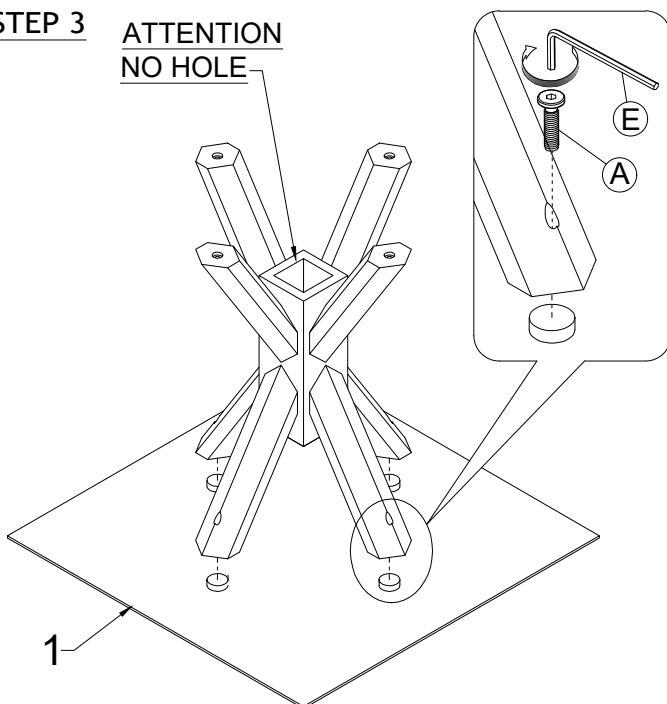


STEP 2



STEP 3

**ATTENTION
NO HOLE**



STEP 4

