

ASSEMBLY INSTRUCTIONS

MODEL: TB 8010








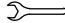

Read this instruction carefully. See hardware and furniture part list for guidance. Be sure all parts are complete before you assemble. Place all wooden furniture parts on a clean and flat surface to prevent from being scratched. Follow the figure to start assembling.

CAUTIONS:

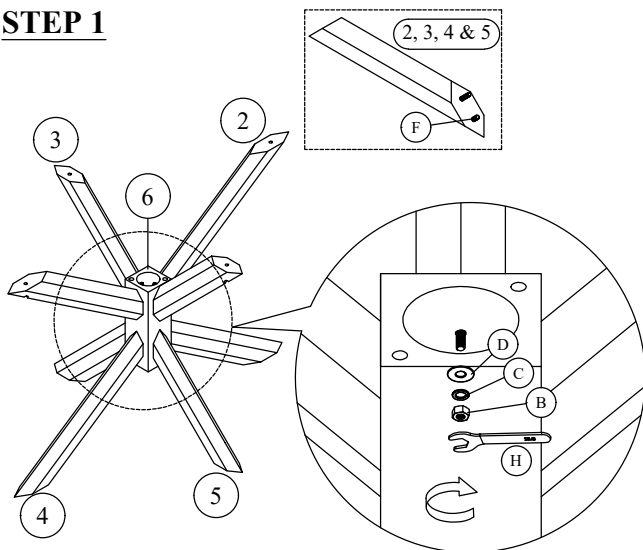
1. Do not FULLY-TIGHTEN the nuts or bolts until all nuts or bolt are ready assembled.
2. Do not OVER-TIGHTEN the nuts or bolts to avoid causing damages to the thread.
3. Keep all hardware parts out of reach of children.

NOTE: THE LIST AND QUANTITY SHOWN ARE FOR 1 UNIT ASSEMBLY

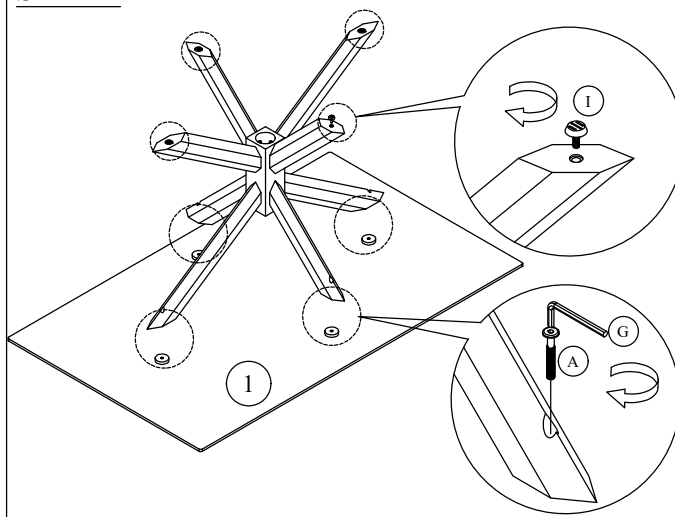
PARTS LIST		
ITEM	DESCRIPTION	QTY
1	GLASS TOP	1 PC
2	TOP SIDE MEMBER- A	2 PCS
3	TOP SIDE MEMBER- B	2 PCS
4	LOWER SIDE MEMBER- A	2 PCS
5	LOWER SIDE MEMBER- B	2 PCS
6	PEDESTAL	1 PC
7	CAP	1 PC

HARDWARE LIST		
ITEM	DESCRIPTION	QTY
A	JCBC BOLT M6 x 45 	4 PCS
B	HEX NUT 	8 PCS
C	SPRING WASHER 	8 PCS
D	FLAT WASHER 	8 PCS
E	WOOD DOWEL Ø8 x 20 	2 PCS
F	WOOD DOWEL Ø16 x 40 	8 PCS
G	ALLEN KEY M4 	1 PC
H	WRENCH 12.8 	1 PC
I	ADJUSTABLE LEVELER 	4 PCS

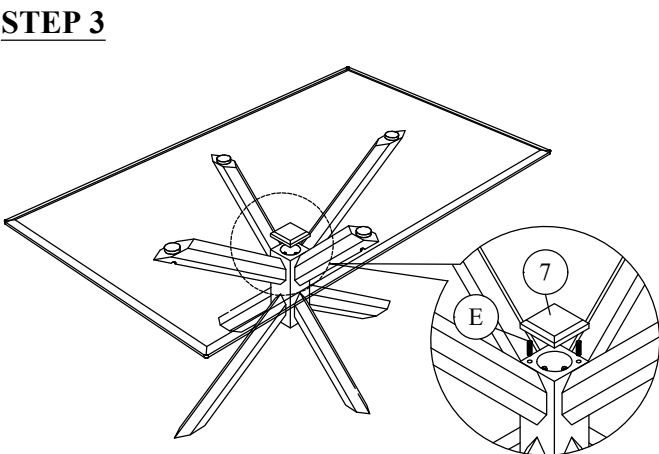
STEP 1



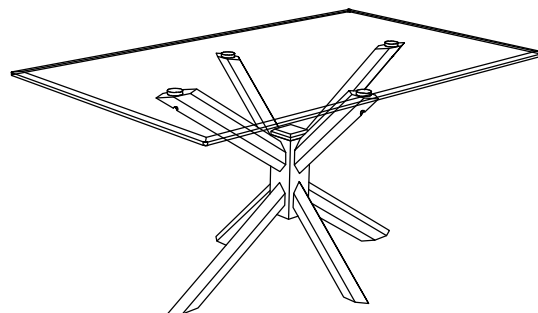
STEP 2



STEP 3



STEP 4



COMPLETE ASSEMBLY