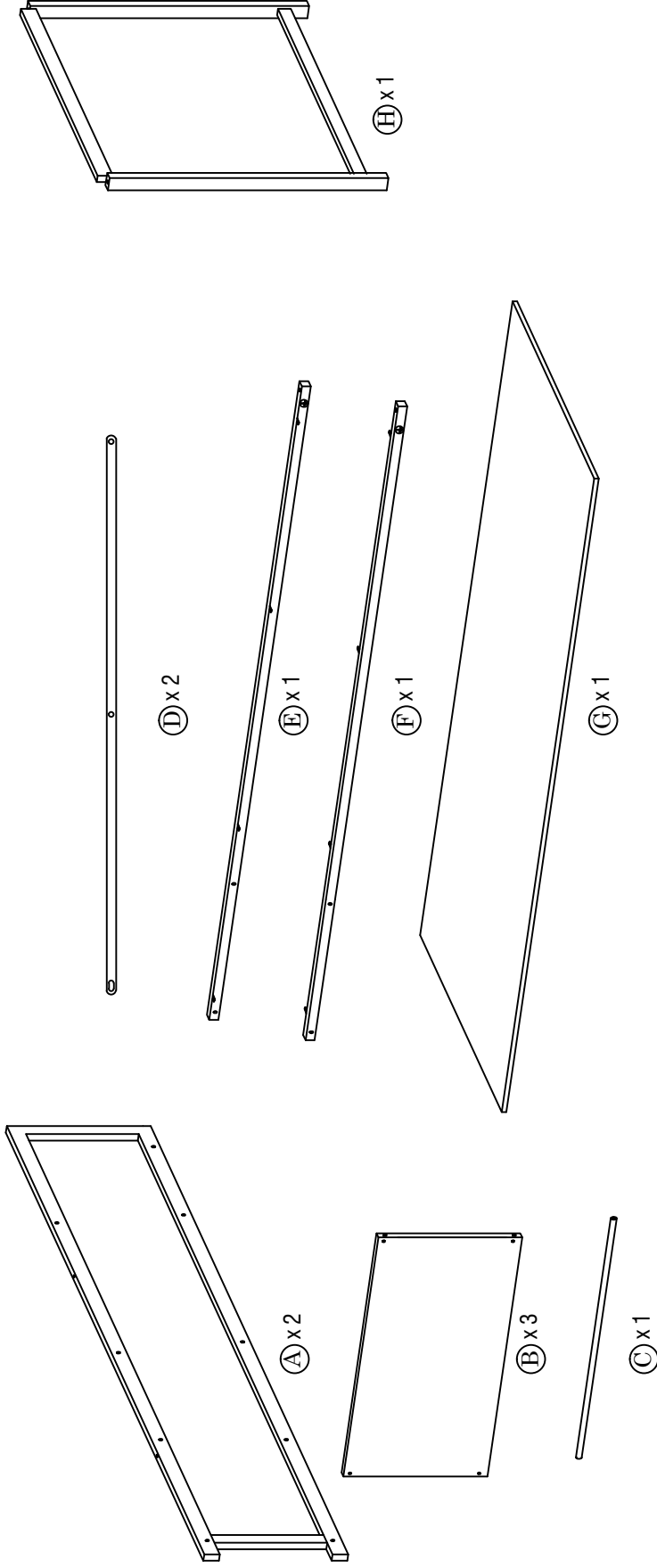












# B2C FURNITURE

## ASSEMBLY INSTRUCTIONS





### AXEL-STEEL/HARDWOOD DESK WITH SHELVING

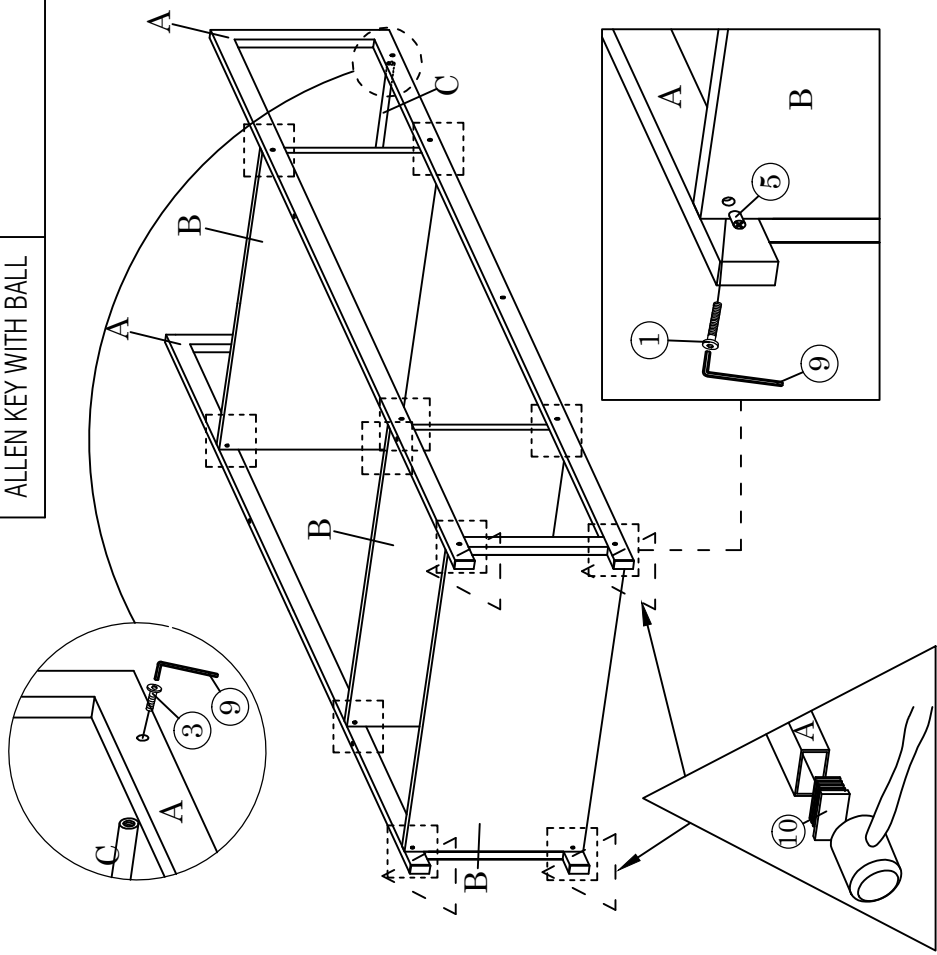


1.	x 12		JCBC M6 x 35mm	x 10	3.		JCBC M6 x 16mm	x 3	4.		JCN NUT M6 x 15mm	x 8	5.		BARREL NUT M6	x 12	6.		PAN HEAD SCREW M3.5 x 16mm	x 8
7.	x 1		M6 HEX NUT	x 2	8.		ADJUSTER SCREW	x 1	9.		ALLEN KEY WITH BALL	x 4	10.		JCN NUT M6 x 15mm	x 4	11.		BARREL NUT M6	x 4

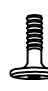



# AXEL-STEEL/ HARDWOOD DESK WITH SHELVING

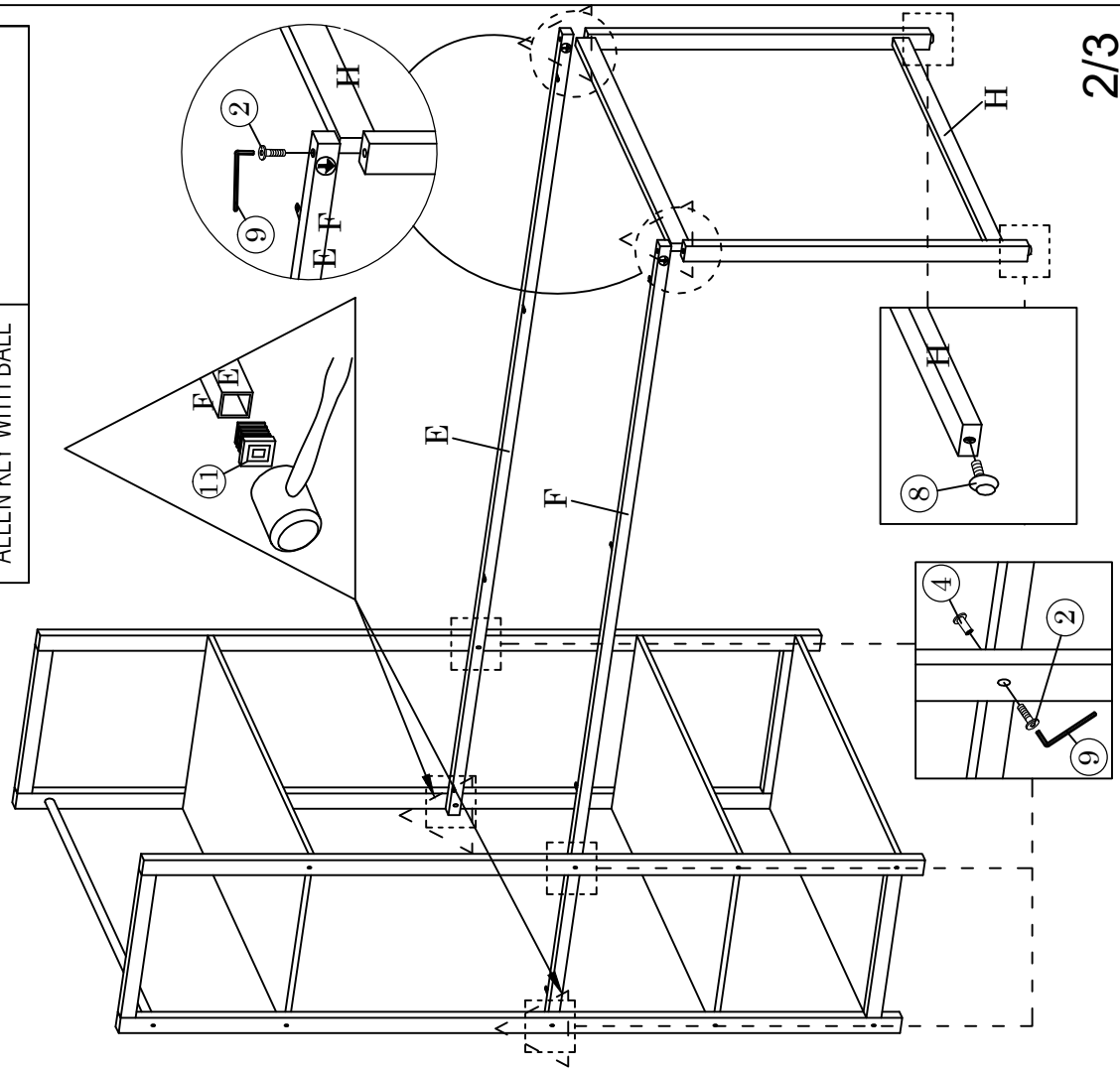
1

1. x12	3. x2	5. x12
JCBC M6 x 60mm	JCBC M6 x 16mm	BARREL NUT M6
		
	9. x1	10. x4
	ALLEN KEY WITH BALL	







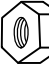

2

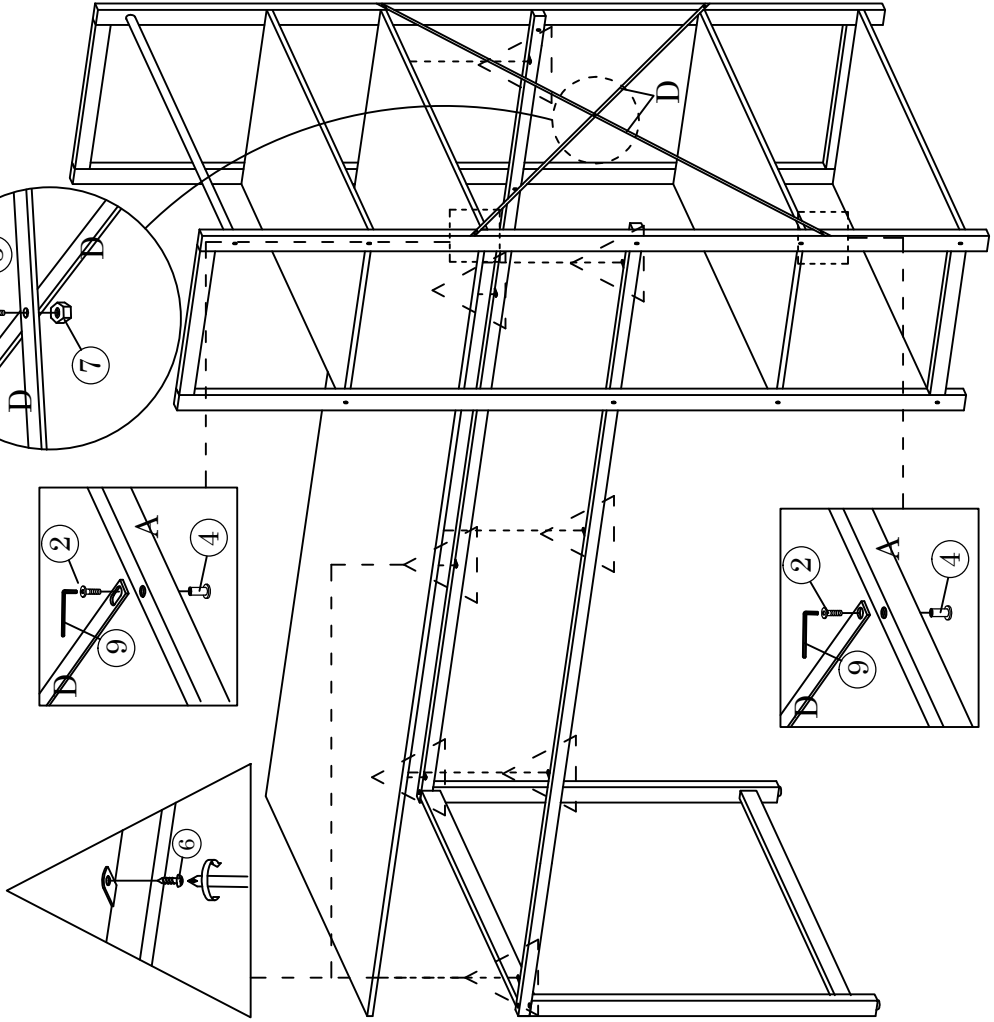
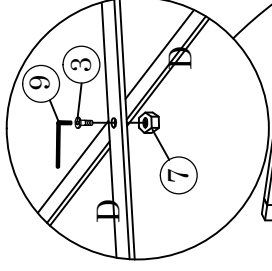
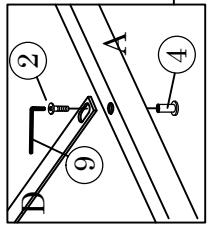
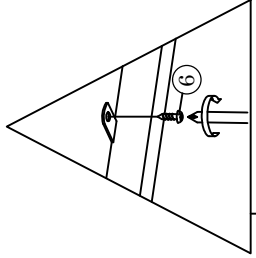
2. x6	4. x4	8. x4
JCBC M6 x 35mm	JCN NUT M6 x 15mm	ADJUSTER SCREW
		
	9. x1	11. x4
	ALLEN KEY WITH BALL	



# AXEL-STEEL/ HARDWOOD DESK WITH SHELVING

3

2.  x4	3.  x1	4.  x4
JCBC M6 x 35mm	JCBC M6 x 16mm	JCN NUT M6 x 15mm
6.  x8	7.  x1	9.  x1
PAN HEAD SCREW M3.5 x 16mm	M6 HEX NUT	ALLEN KEY WITH BALL



4

