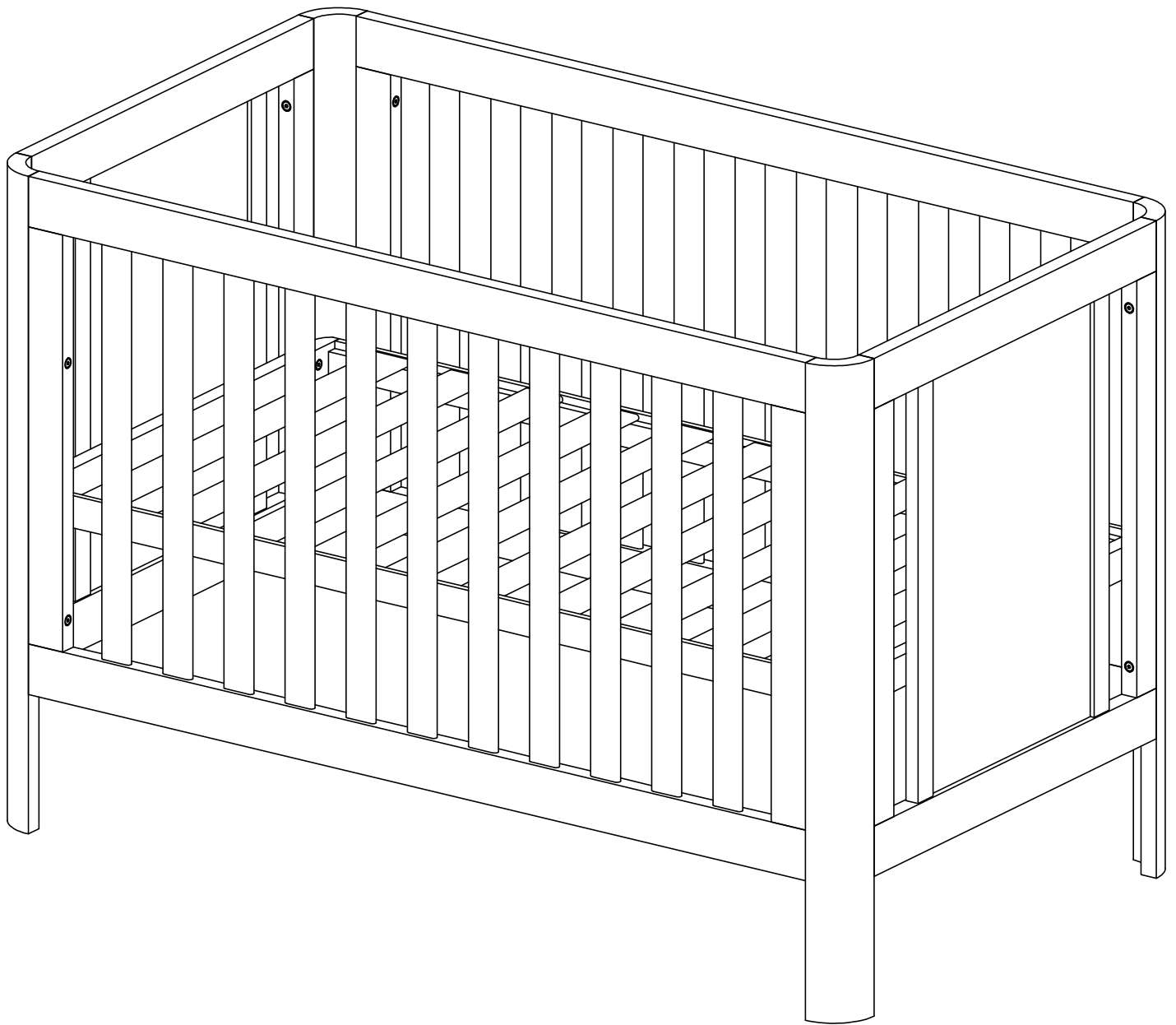


ASTER COT

FIXED SIDE

CONVERTIBLE COT

ASSEMBLY INSTRUCTION



- The manufacturer's assembly instructions must be followed in detail to ensure the safety features to the cot are not compromise
- To clean surface use only water on a damp cloth. Do not use window cleaners or cleaning abrasives as it will scratch the surface and could damage the protective coating.

HARDWARE INVENTORY (COT)



A. 65MM ALLEN
HEAD BOLT
(8 PCS)



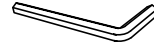
B. 55MM
ALLEN
HEAD BOLT
(8 PCS)



C. 40MM ALLEN
HEAD BOLT
(4 PCS)

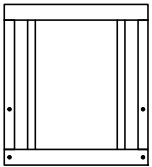


D. 12MM ALLEN
HEAD BOLT
(4 PCS)

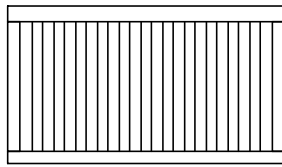


E. ALLEN WRENCH
(1 PC)

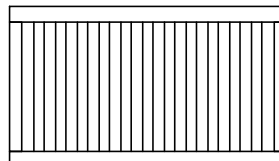
PARTS LIST



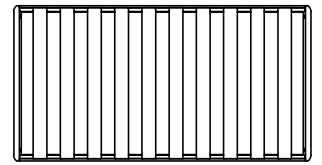
1. HEADBOARD
(2 PCS)



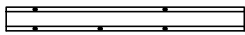
2. CRIB RAIL A
(1 PC)



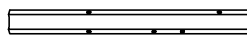
3. CRIB RAIL B
(1 PC)



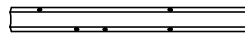
4. MATTRESS BASE
(1 PC)



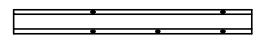
5. LEG A
(1 PC)



6. LEG B
(1 PC)



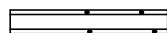
7. LEG C
(1 PC)



8. LEG D
(1 PC)



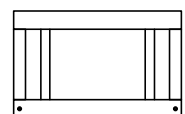
9. BEDGUARD
(2 PCS)



10. BEDGUARD
LEG A
(1 PC)

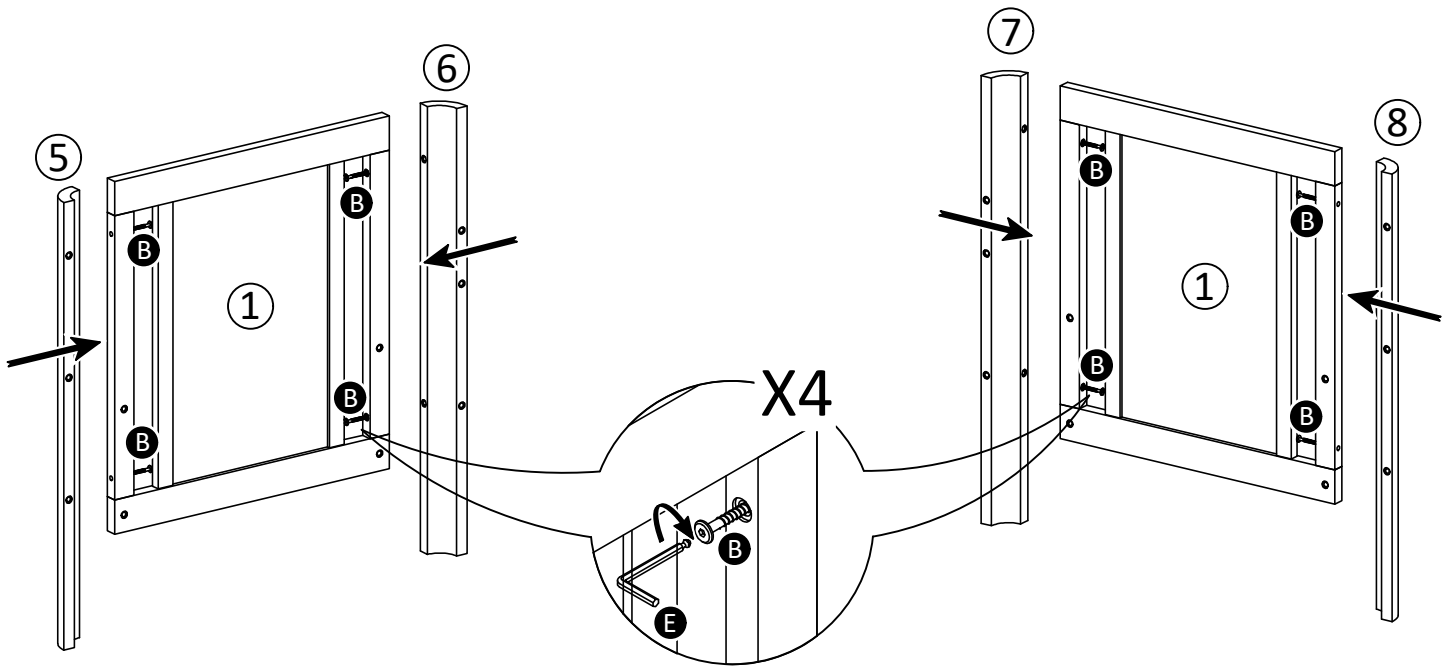


11. BEDGUARD
LEG B
(1 PC)

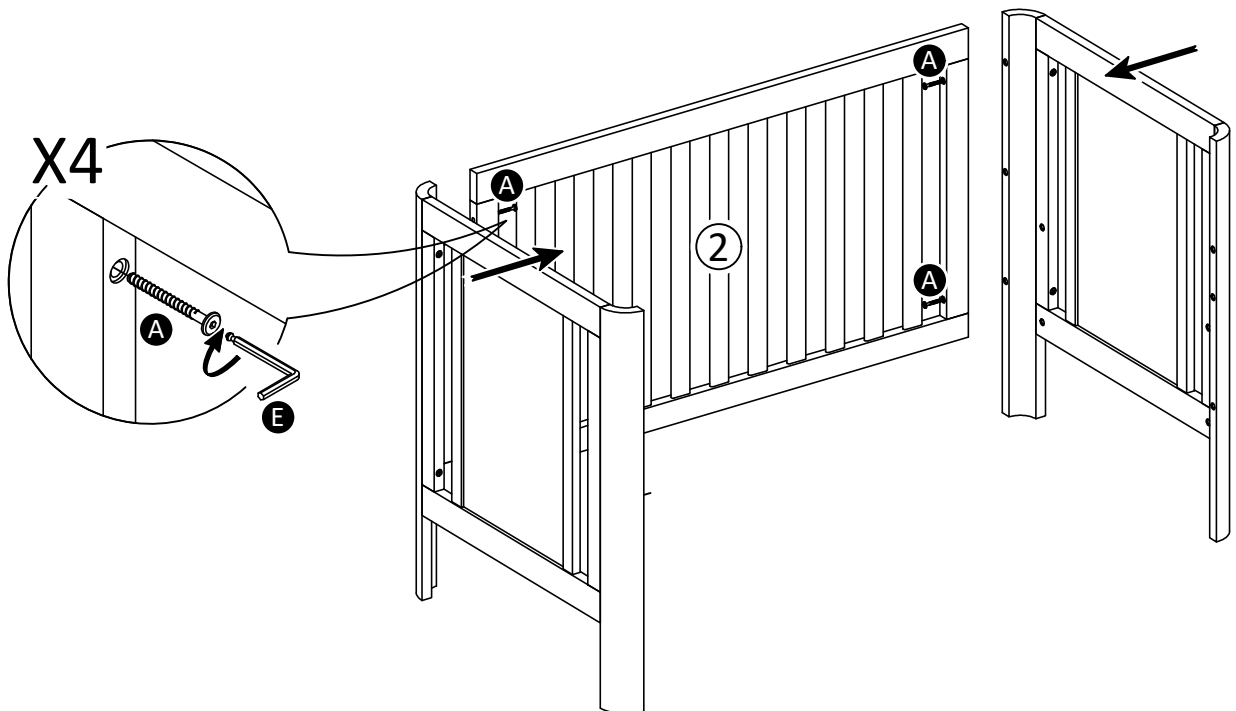


12. BEDGUARD
HEADBOARD
(1 PC)

STEP 1

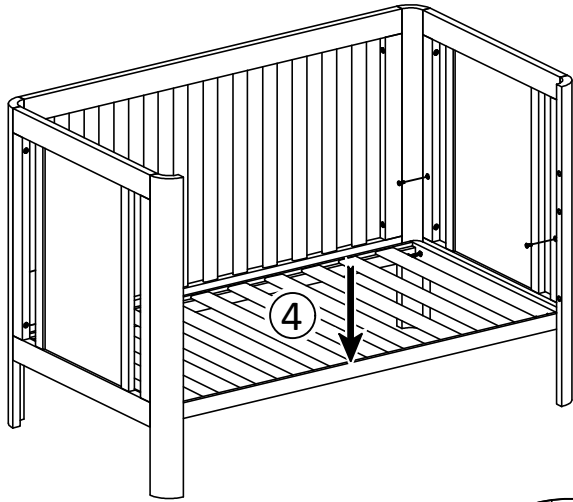


STEP 2

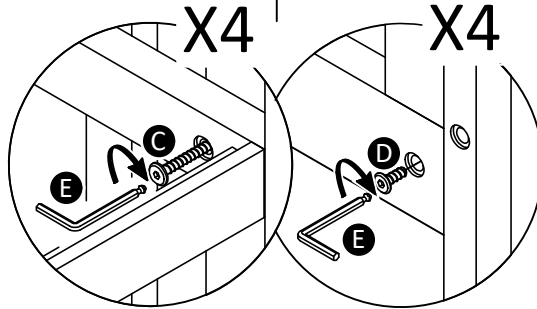
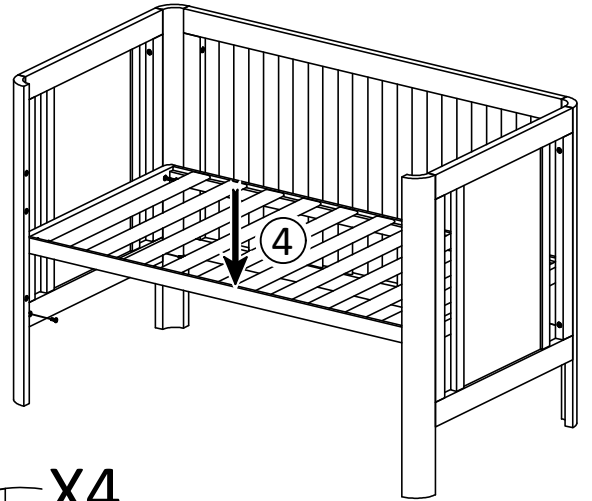


STEP 3

LOWEST POSITION



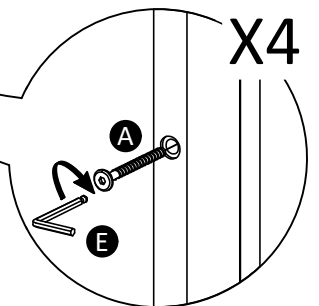
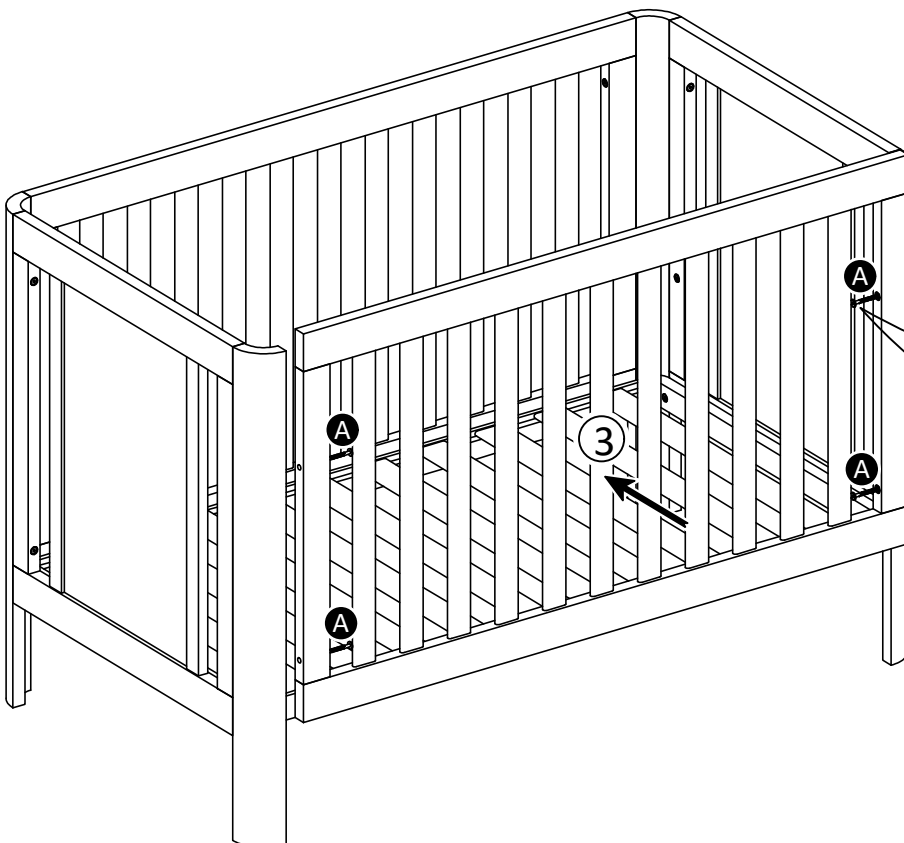
HIGHEST POSITION



!!Do Not Tighten ALLEN HEAD BOLTS C At This Stage!!

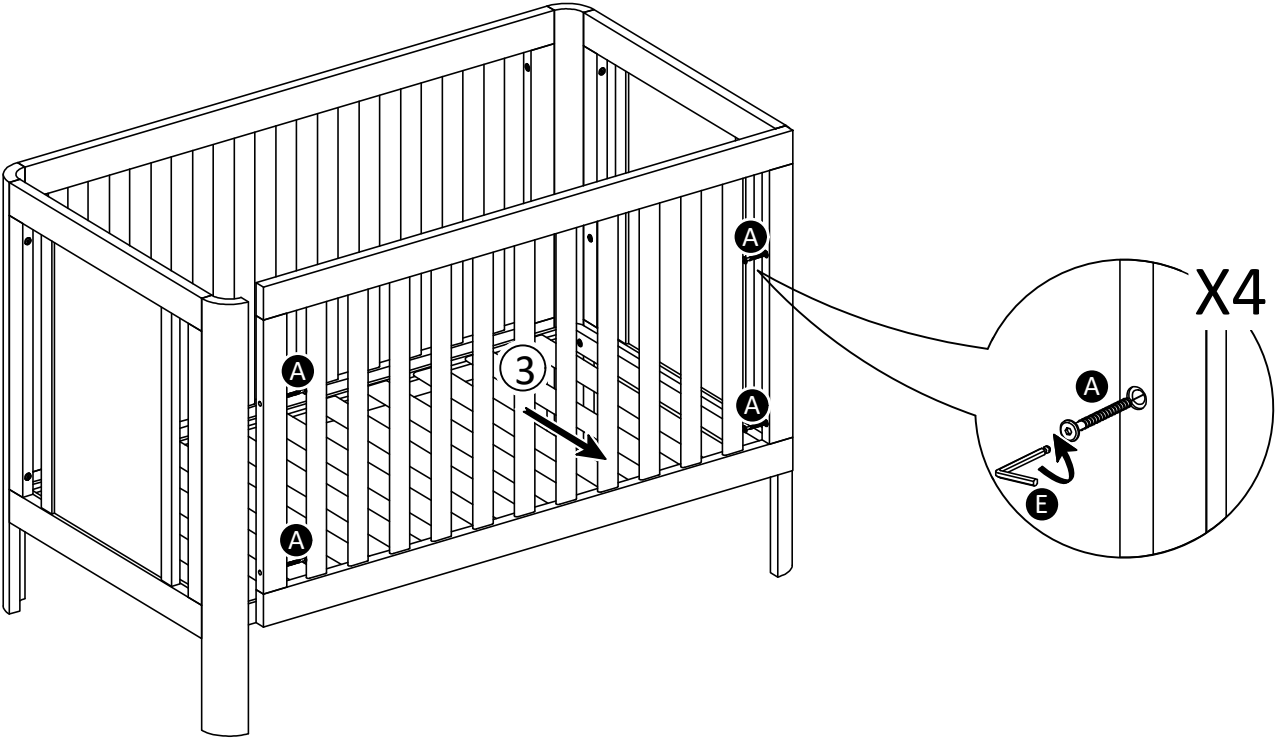
Ensure unused mattress base mounting holes on the end panels are blanked off with the supplied blanking screws and tightened to prevent finger entrapment and swallowing hazards.

STEP 4



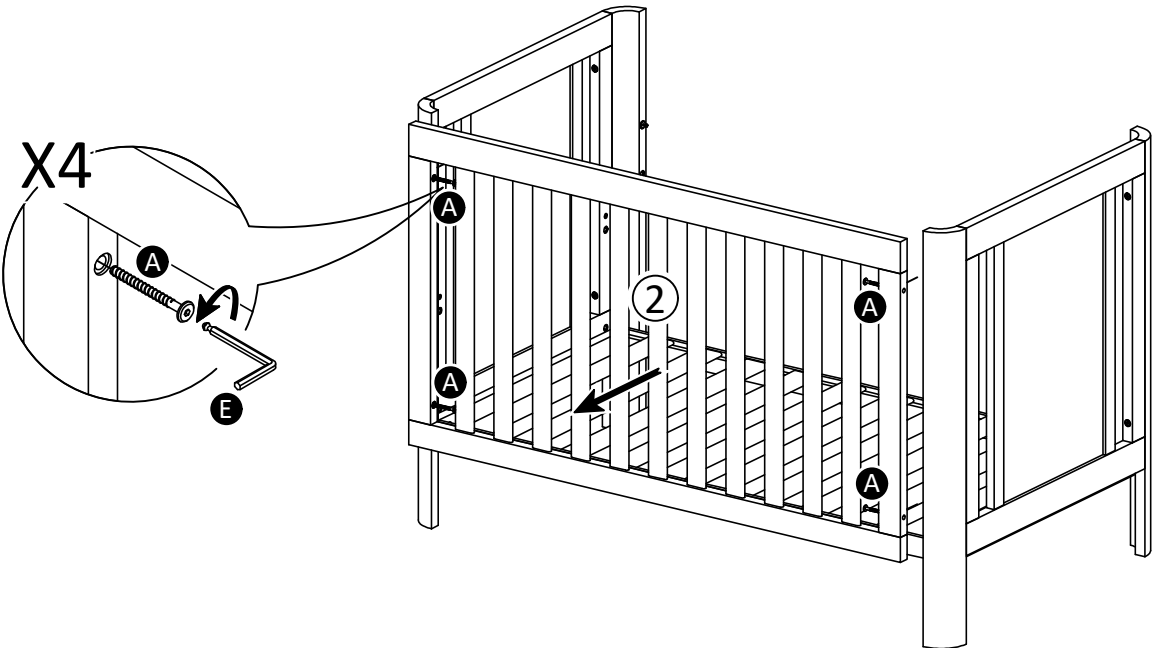
HOW TO CHANGE CRIB TO SINGLE BED

STEP 1

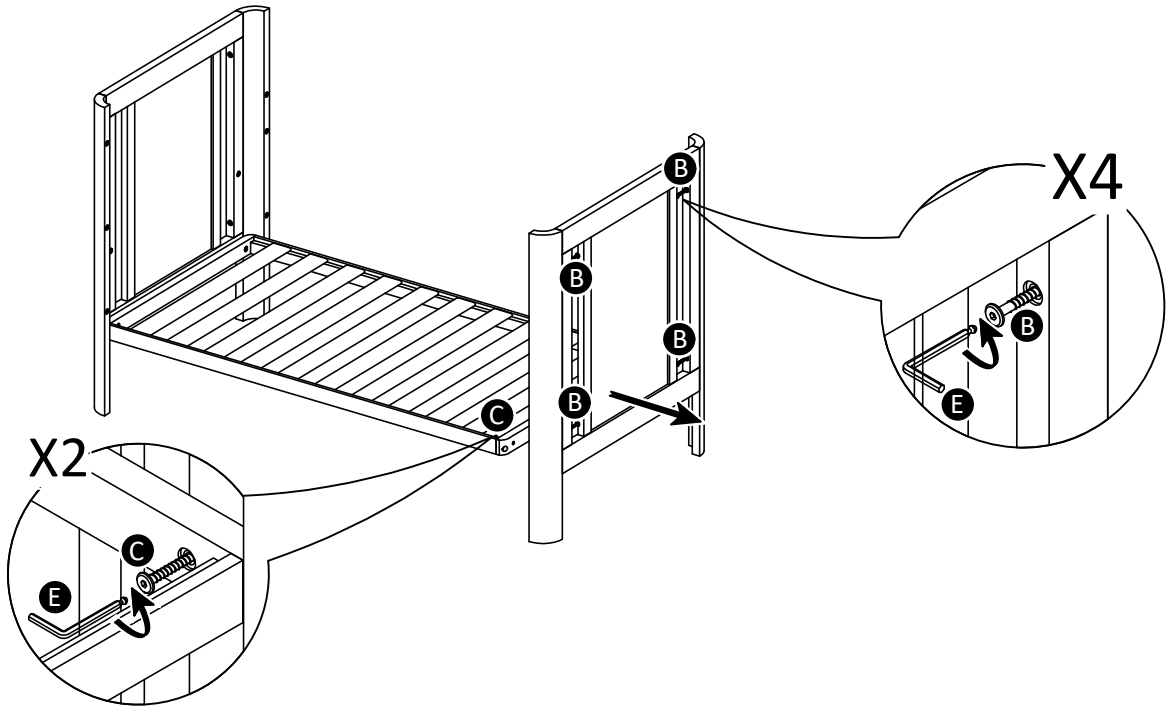


!!Loosen ALLEN HEAD BOLTS B For MATTRESS BASE At This Stage!!

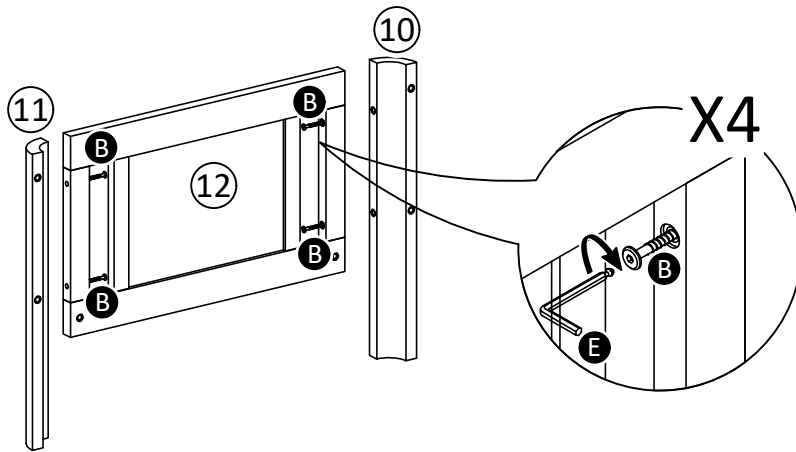
STEP 2



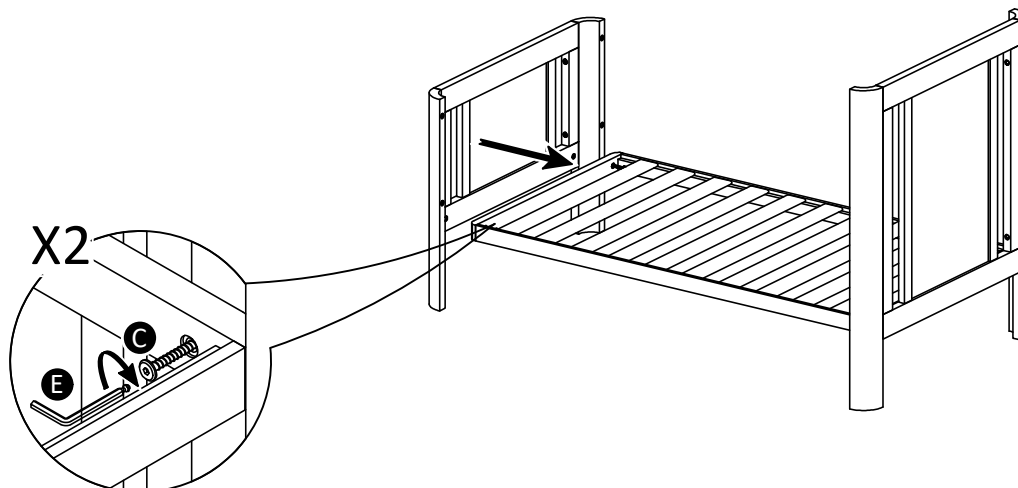
STEP 3



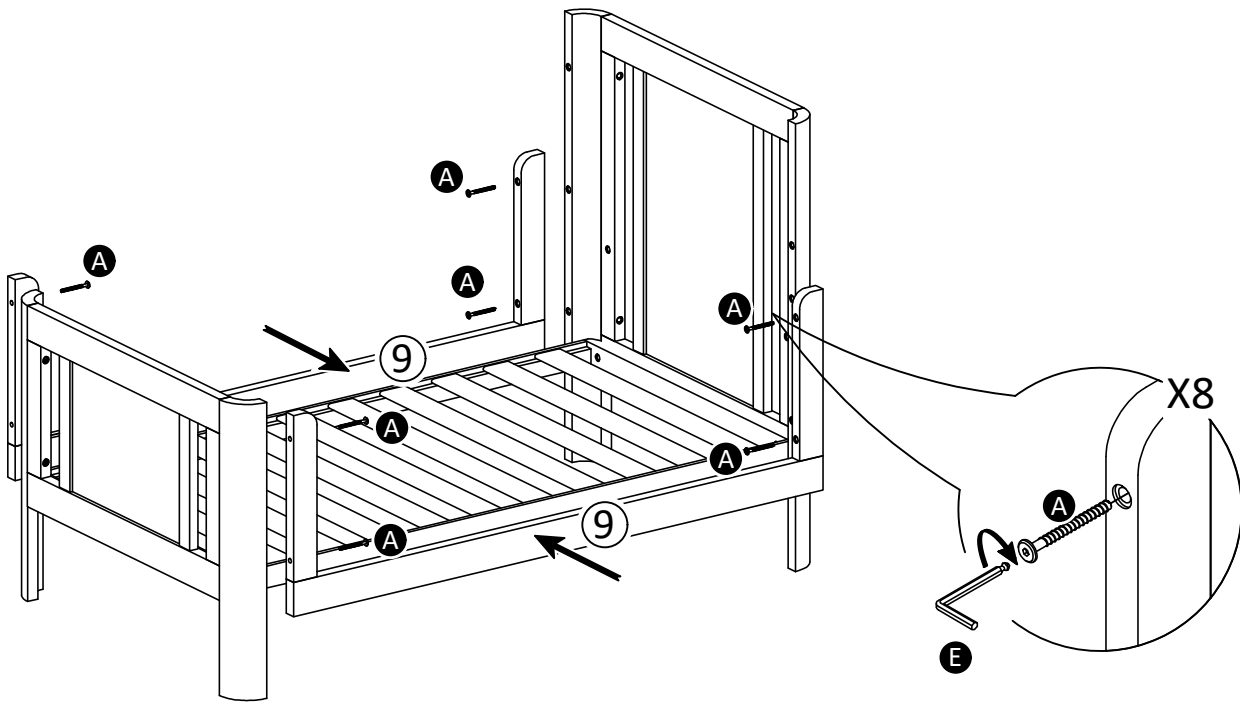
STEP 4



STEP 5



STEP 6



!!! Make Sure Tighten All ALLEN HEAD BOLTS At Final Stage!!

