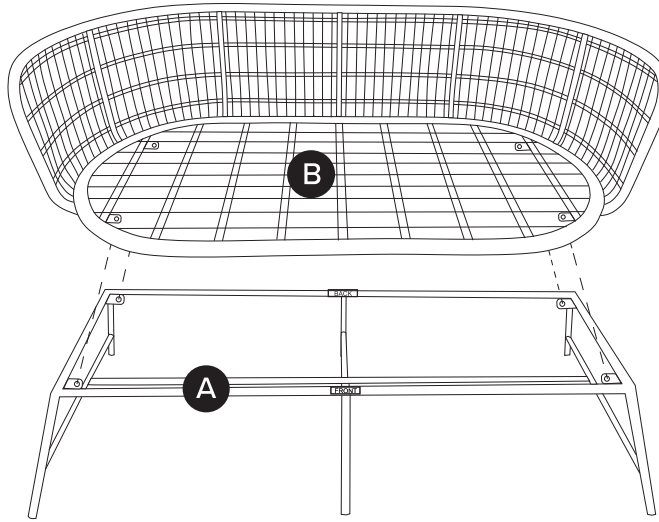


B2C FURNITURE

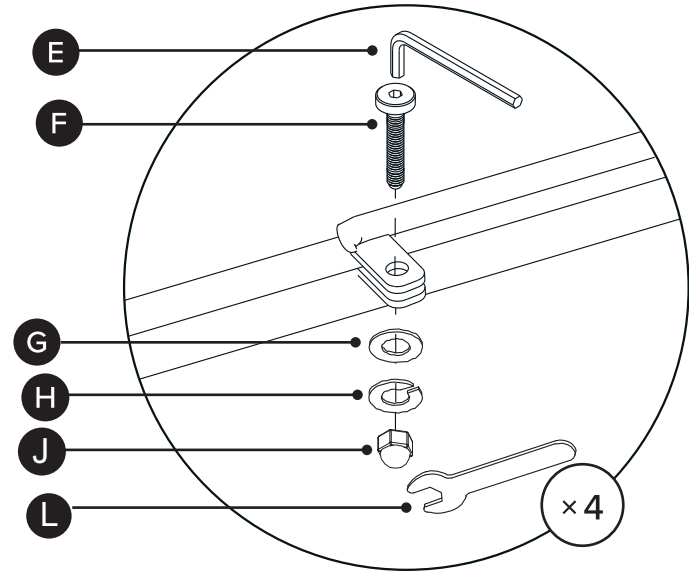
ASSEMBLY INSTRUCTION

PARTS INVENTORY

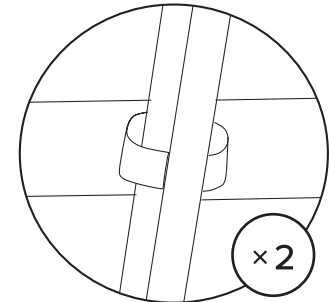
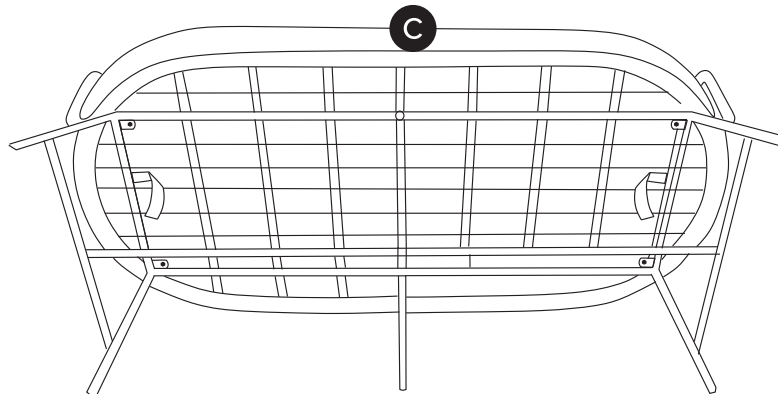
ID	DESCRIPTION	QTY
A	LEG FRAME	1
B	SEAT FRAME	1
C	SEAT CUSHION	1
D	BACK CUSHION	4
E	ALLEN KEY	1
F	M8 × 20MM BOLT	4
G	M8 WASHER	4
H	M8 LOCK WASHER	4
J	M8 NUT	4
L	WRENCH	1



! Note labels marking front and back of leg frame (A).

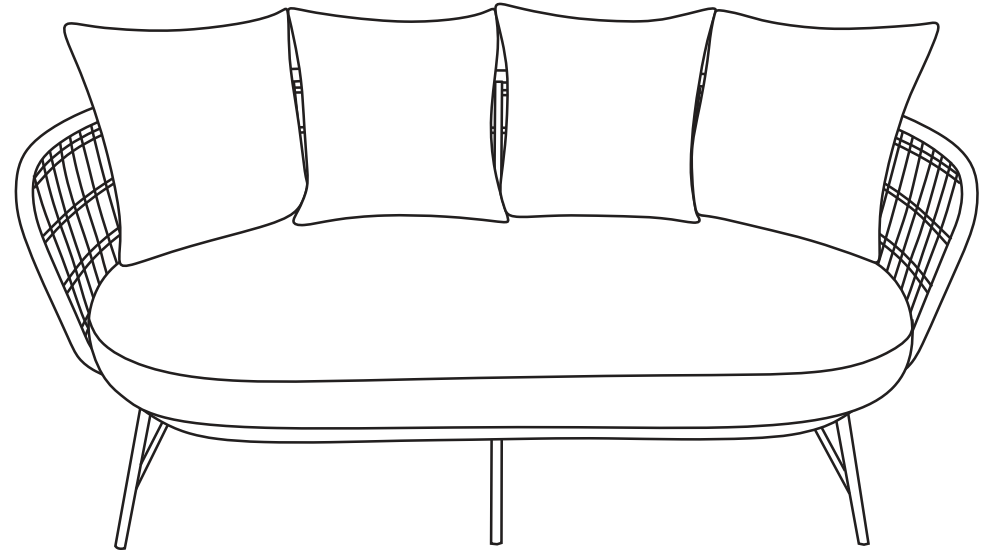
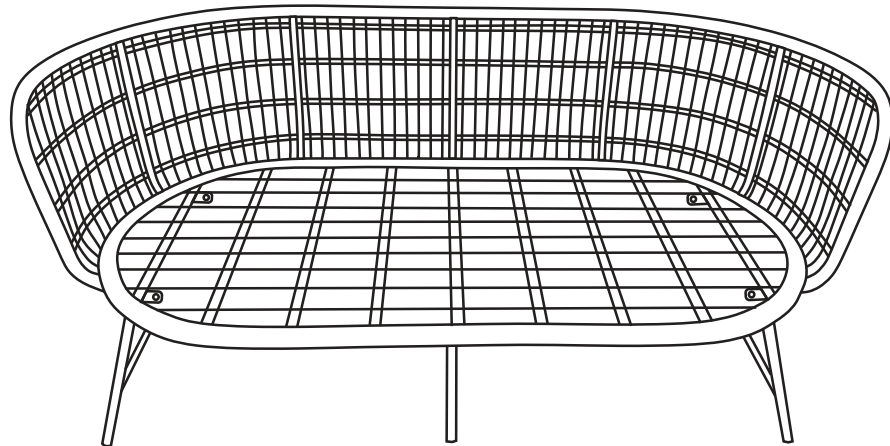
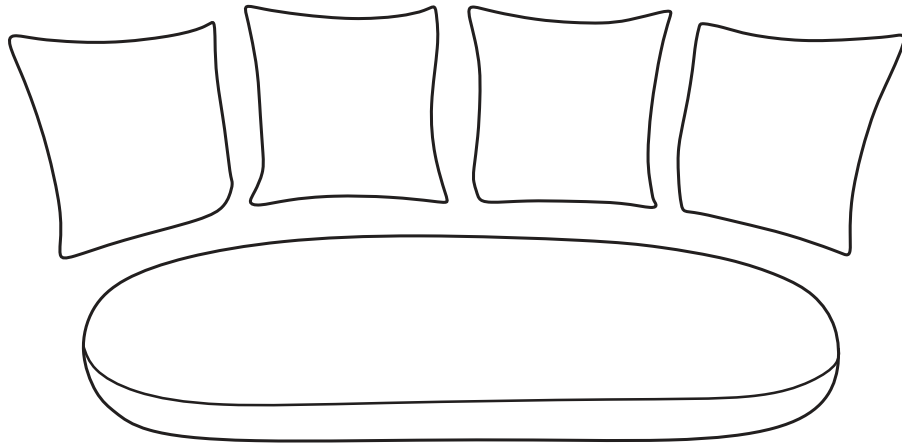


! Attach seat cushion (C) to sofa frame with velcros













B2C FURNITURE

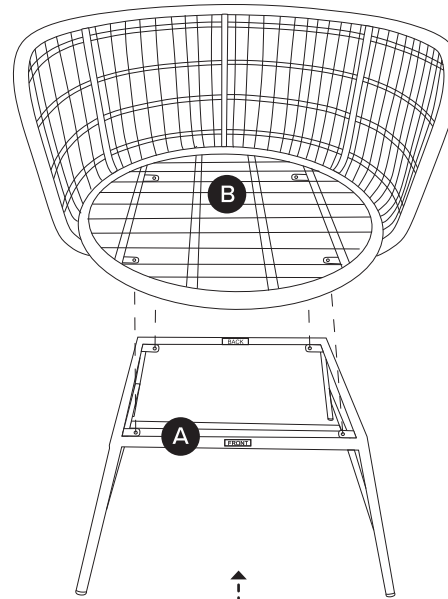
ASSEMBLY INSTRUCTION




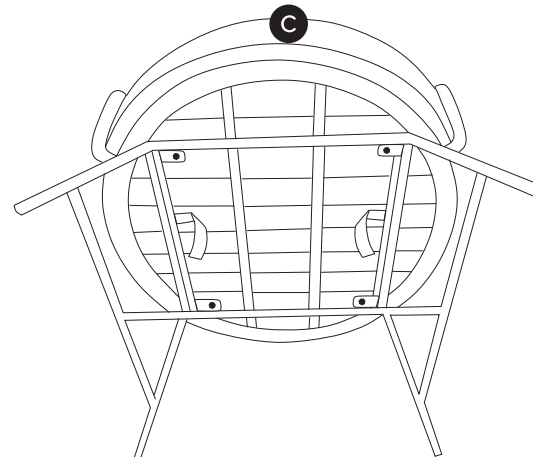
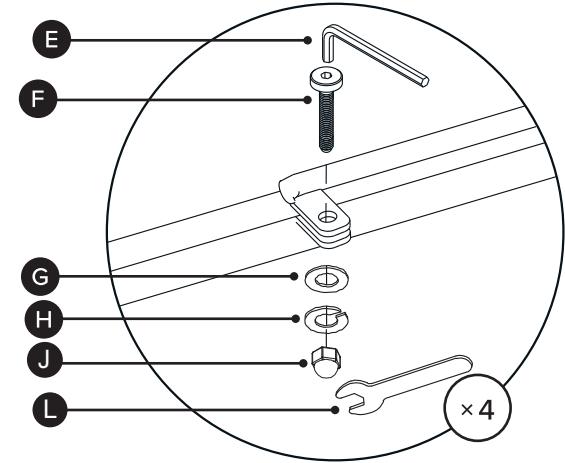
B2C FURNITURE


ASSEMBLY INSTRUCTION

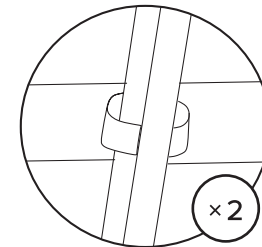
PARTS INVENTORY			
ID	DESCRIPTION		QTY
A	LEG FRAME		1
B	SEAT FRAME		1
C	SEAT CUSHION		1
D	BACK CUSHION		2
E	ALLEN KEY		1
F	M8 × 20MM BOLT		4
G	M8 WASHER		4
H	M8 LOCK WASHER		4
J	M8 NUT		4
L	WRENCH		1



 Note labels marking front and back of leg frame (A).



 Attach seat cushion (C) to chair frame with velcros



B2C FURNITURE

ASSEMBLY INSTRUCTION

