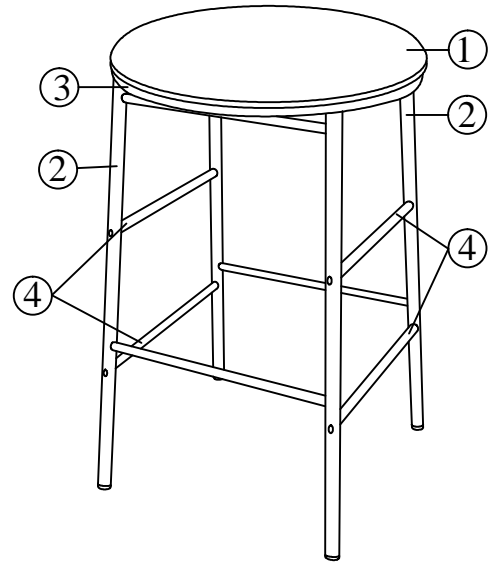
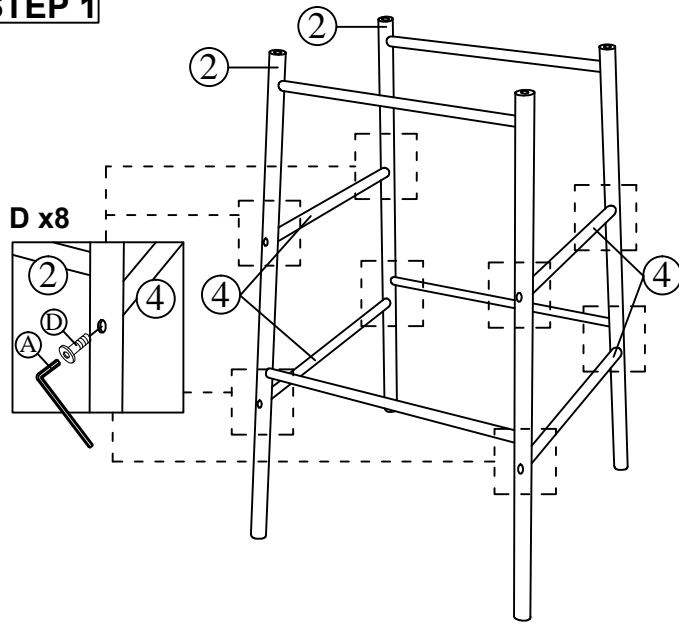
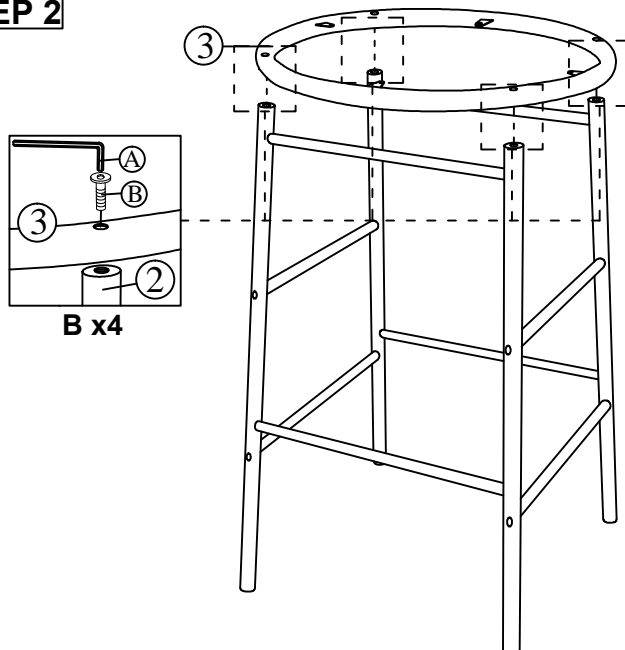


ASSEMBLY INSTRUCTION

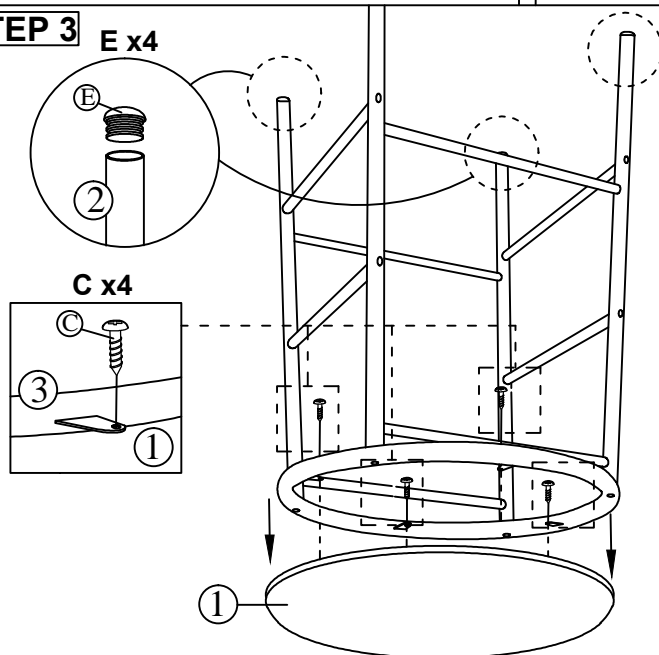
STEP 1



STEP 2



STEP 3



M4 A (1)	1 (1)
JCBC M6 x 50mm B (4)	2 (2)
M3.5 x 16mm C (4)	3 (1)
JCBC M6 x 25mm D (8)	4 (4)
Plastic Leg E (4)	