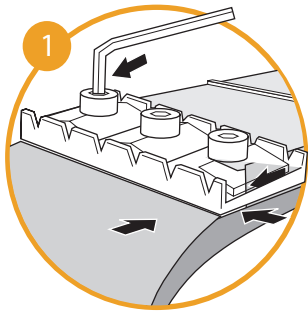
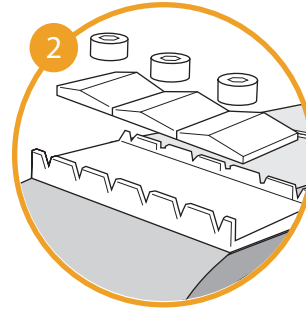


# UNLOCKING NUT INSTALLATION GUIDE



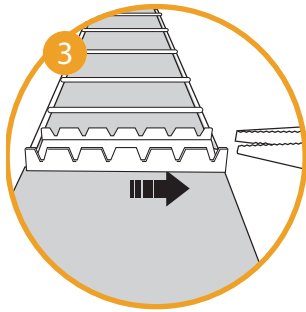
## STEP 1

Remove the strings. Trace around (score) every edge of the nut with an exacto knife to prevent lacquer sticking to the nut and the neck and chipping away.



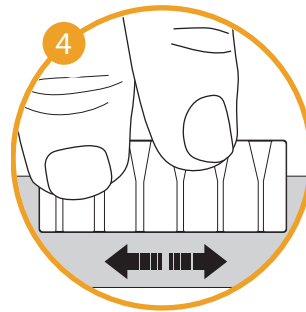
## STEP 2

If the nut is not sitting in a slot, usually a light tap with a small block will set it free. If it is sitting in a slot, gently tap it out sideways using a hammer and a screwdriver.



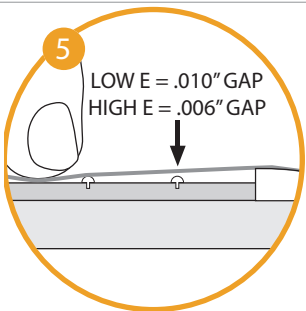
## STEP 3

When it is sticking out the side, pull it out in the same direction with a pair of pliers, like you would a tooth. Scrape or file the nut slot free from old glue and finish residue while making sure that the slot remains square.



## STEP 4

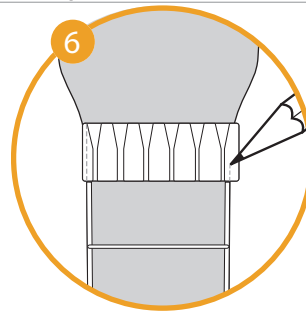
See if your new Graph Tech nut fits into the slot without force. If it's too thick, place a 400 to 600 grit sand paper face up on a flat surface and sand down the sides of the nut until it fits in the slot snugly, but is easily removable.



## STEP 5

Restrict the high and low E strings and tune to pitch to check for correct height. Pushing down on the third note of the low E string should result in a .010" gap between the string and the first fret; high E string should be .006"

\*NOTE: These measurements are general guidelines, so feel free to adjust the string clearance according to your personal preference and playing style.



## STEP 6

Once you've adjusted the thickness and the height, you just need to sand the ends of the nut so that they are flush with the neck. Just use a pencil and mark the ends of the nut that are sticking out, remove it from the neck and sand it to your marks.

After installation, please activate the lubricants by performing tremolo bends and string bends for 3 to 4 minutes.

*\* If needed, wood glue (i.e. Elmer's) is recommended but not required to hold the nut in place*

**NEED HELP?** Contact **GRAPH TECH GUITAR LABS** at 604-940-5353, via e-mail at [sales@graphtech.com](mailto:sales@graphtech.com), or consult our website at [www.graphtech.com](http://www.graphtech.com)