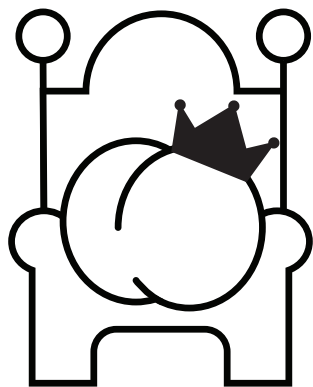


Your grace, meet Ace.



TUSHY Ace Owner's Manual



TUSHY

Congratulations!

**You've earned the right to be called
Your Hiney-ness.**

This manual will guide you step by step through your TUSHY Ace installation. Get ready for a sparkly butt, a smaller footprint and a toilet that truly feels like a throne.

<http://hellotushy.com/aceinstall>



— Table of Contents

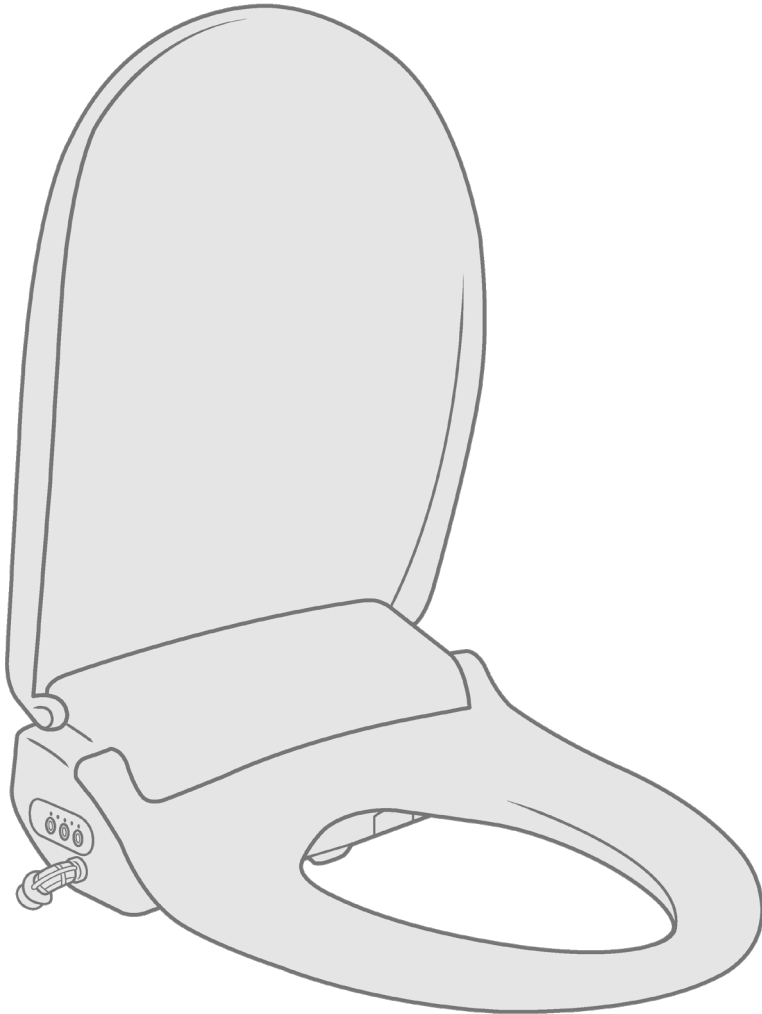
4	33
Meet Your TUSHY Ace	Warnings & Safety
5	36
Before You Start	Storage & Cleaning
15	37
Prepare Your Toilet	Troubleshooting
18	39
Connecting Your TUSHY Ace	Warranty
30	41
How To Use Your TUSHY Ace	Contact Information



GOOD DAY TO YOUR
HIGH-CLASS ASS

—

Meet Your TUSHY Ace



Before You Start

Warnings and Safety

Read all instructions before installing or using your TUSHY Ace. Failure to do so could result in property damage, injury or death. Always turn off the water supply and disconnect all power sources before installing or performing maintenance on your TUSHY Ace.

When tightening connections, make sure they are finger tight, but be careful not to overtighten as this could result in leaks or property damage. Make sure you check for leaks after installing your TUSHY Ace and periodically thereafter.

Do not attempt to open or perform internal maintenance on the TUSHY Ace as this could result in injury or death as the device has electrical components.

Get into the groove

Let's get this POTTY STARTED! Turn on some rump-shakin' TUSHY Tunes. We've assembled the perfect tracks to get you in the mood to upgrade your toilet, your booty and your life.

hellotushy.com/tunes

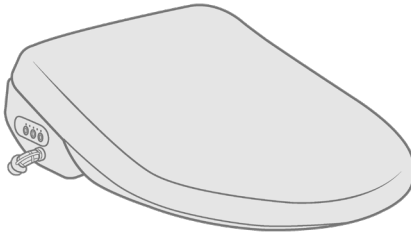


Access video tutorials, exclusive TUSHY content, and register your Ace limited warranty!

Contact us

Have a question? Our Customer Experience Poo-Rus are ready to help. **Email us at aceinstall@hellotushy.com**

Included Parts



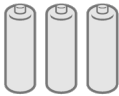
TUSHY Ace



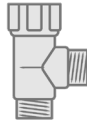
Remote



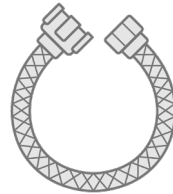
Mounting Dock



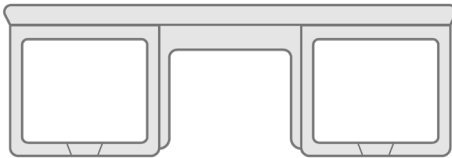
**3x AAA
Batteries**



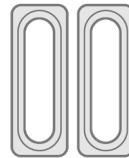
**Tank Adapter
(7/8" Compression)**



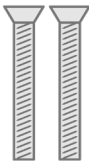
**Flexible TUSHY Ace Hose
(1/2" Compression)**



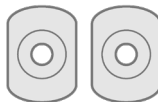
Base Plate



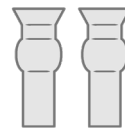
2x Mounting Brackets



2x Mounting Bolts



2x Bolt Washers



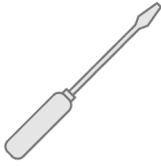
**2x Top-Mounting
Rubber Inserts**



TUSHY TIP

Keep all of these parts (and this manual) just in case you need them in the future!

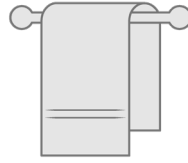
You'll Also Need:



**Flathead
Screwdriver**



**Phillips Head
Screwdriver**



**Towels
(For any spills)**

Access to Power Outlet Within 3'



**YOUR TOASTY SEAT FOR THE
POOPING ELITE AWAITS**



For a guided installation, scan this code to watch our TUSHY Ace install video or go to hellotushy.com/aceinstall

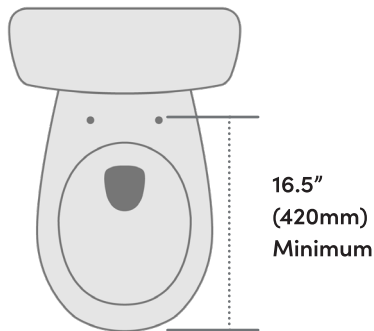
Check your toilet.

(There are different kinds of toilets? Who knew?)

1. Which bowl shape do you have?

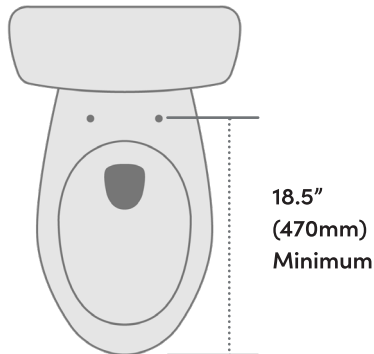
Round

A round bowl is typically shorter and rounder. It is commonly found on older toilets.



Elongated

An elongated bowl is typically longer and more egg-shaped. It is commonly found on newer toilets.



Make sure your TUSHY Ace matches your toilet's bowl shape. If they don't match or if you are unsure, reach out to aceinstall@hellotushy.com and we'll help you out.

2. Which type of toilet do you have?

The Standard

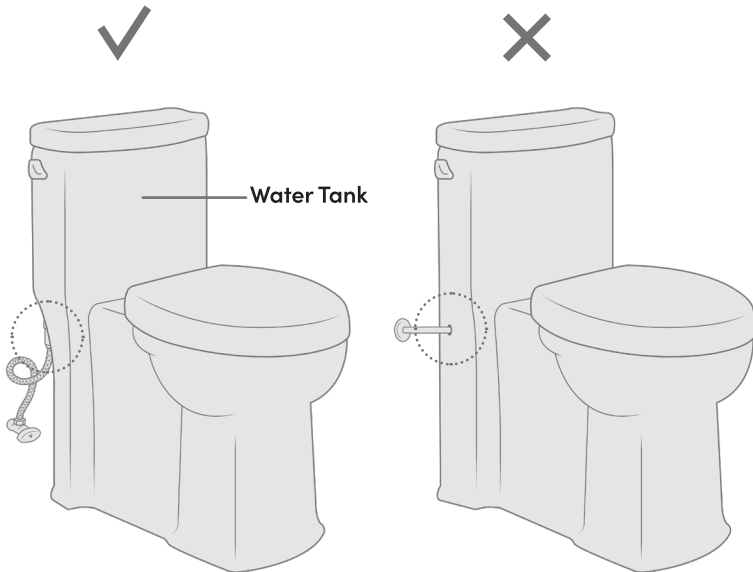
MOST POPULAR



The Standard toilet is the most common toilet you'll find in the majority of residential homes. It typically has two pieces, consisting of the bowl and the tank, and has a flexible steel hose connection between the water supply and tank. Most importantly, all of the water supply connections are visible. If you've got the Standard, you'll be good to go in no time!

If you have any questions at all, email aceinstall@hellotushy.com and we will be able to assist you.

The Skirted



Skirted toilets are a more modern, clean design that may hide the external tank connection. If you are able to access the tank connection, awesome! You shouldn't have too much trouble.

If you aren't able to access the tank connection, check out hellotushy.com/aceskirted for tips on how to connect these toilets with the valve adapter. We'll get you set up in no time.

If you have any questions at all, email aceinstall@hellotushy.com and we will be able to assist you.

The Flushometer



The Flushometer toilet is normally found in commercial buildings, but some residential apartment buildings have these toilets too (looking at you, NYC friends). They have a lever with a powerful flush and no easy access to a water supply connection. At first glance, these toilets don't look TUSHY compatible, BUTT... we have a hack for that. ;)

Reach out to our Poo-Rus if you need help installing on a flushometer toilet.

If you have any questions at all, email aceinstall@hellotushy.com and we will be able to assist you.

The French Curve

MAYBE

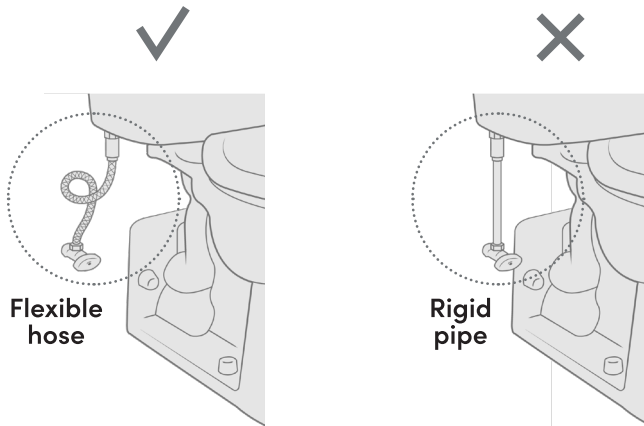


Do you oui oui in this type of potty? **French Curve toilets** are one-piece toilets that are curved in the back. Though they are very high-end, they also tend to be hard to fit when it comes to any bidet seats or attachments.

To see if your toilet is compatible, check out hellotushy.com/compatibility

If you have any questions at all, email aceinstall@hellotushy.com and we will be able to assist you.

3. Check your water connection



What kind of water connection does your toilet have? If you have a flexible hose (left), you're good to go. If you have a hard pipe, contact our Poo-Rus and we will send you a flexible pipe to replace it. For an installation video on how to replace your hard pipe, go to hellotushy.com/acetoilethose.



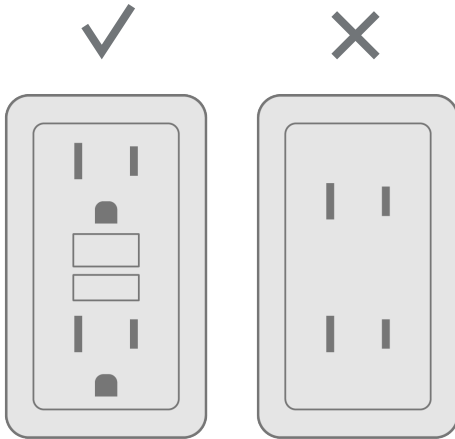
TURN YOUR CAN INTO
A CAN D'OR

If you have any questions at all, email aceinstall@hellotushy.com and we will be able to assist you.

4. Check your power outlet

WARNING: Failure to read this may result in serious injury or death due to potential shock hazard. Before getting started, your TUSHY Ace must have access to a GFCI power outlet to ensure safe operation.

First, check the distance from the toilet to the outlet. If it is greater than **3 feet**, you will need an extension cord. Grab any extension cord you have handy or pick one up at your local hardware store. If you're not sure, reach out to us at aceinstall@hellotushy.com and we can recommend one to you.



Next, check the outlet itself. If it looks like the one to the left, you are good to go!

If it is a 2-prong outlet, you will need a grounded converter which you can find online or at your local hardware store.

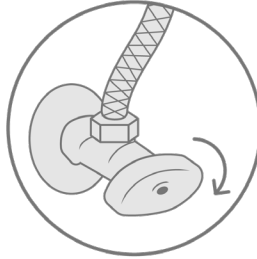
(Refer to page 27 for applicable warnings.)

If you have any questions at all, email aceinstall@hellotushy.com and we will be able to assist you.

Prepare Your Toilet

STEP 1: Turn off your water supply valve

Turn off the water valve beside the toilet by turning it clockwise.



TUSHY TIP

If you don't have access to the water supply connection beside the toilet, you can use your sink's water supply instead. For an installation video, go to hellotushy.com/acesinkinstall.

If the valve is tight, there may be some mineral buildup. In that case, try twisting in one direction and then the other, each time rotating a little further until it's free to turn all the way around. Slow and steady wins the race!

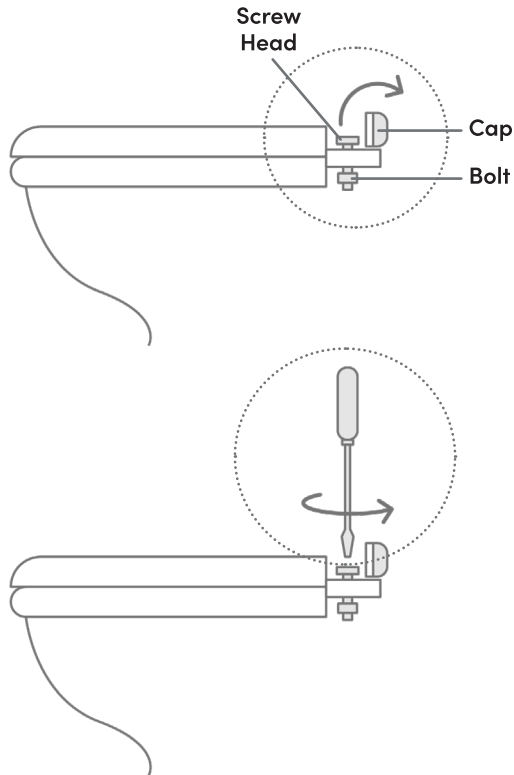
STEP 2: Empty the toilet tank

Flush your toilet to drain the tank. Hold down that flusher until the tank empties nearly completely! An inch of water at the bottom is okay, though.



STEP 3: Remove the toilet seat

For most toilet seats, flip up the screw caps behind the seat with a flathead screwdriver to access the screws. Turn counter-clockwise to loosen the screws. Remove the seat and either store it (in case you ever need it) or bury it (in case you want to give your old toilet a proper goodbye). Just kidding, recycle it!



MIGHT WE ADD: YOUR
SH*T SMELLS OF ROSES



TUSHY TIP

You may need to hold the nut on the underside of the screw with your other hand (using pliers or a towel if necessary) while unscrewing.

If your toilet is dirty—hey, it happens!—it's the perfect time to clean it!

Dealing with a unique quick-release or mounted toilet seat?

There's a super easy fix. Simply unscrew the bolts fastening the quick-release mounts to the toilet. Then you can remove them and store them with your seat if you ever need to re-install it. The bolts may be under a plastic or metallic cover.

Check out hellotushy.com/mountedseatremoval for some video tips if you're having trouble. Once you've got the seat off, set it aside and you're done!



Scan this code for a quick video showing how to remove your quick release seat.

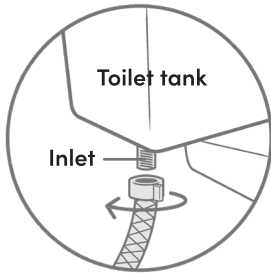


A ROYAL FLUSH LIES IN THE
CARDS FOR YOU

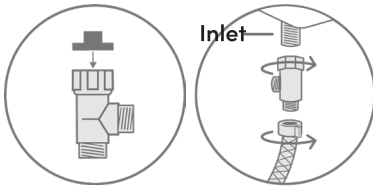
— Connecting Your TUSHY Ace



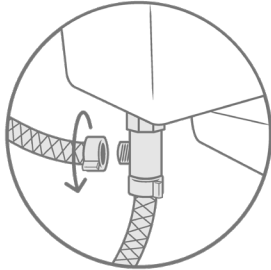
STEP 4: Connect to the water line



a. Disconnect the existing flexible hose from your toilet tank by turning it clockwise if you're looking at the connection from above. Be prepared to catch or wipe up some residual water that might spill onto the floor.



b. Screw the existing flexible hose to the bottom of the Tank Adapter and then screw the top of the Tank Adapter counter-clockwise onto the tank if you're looking from above. Make sure the black rubber gasket is inside the top of the adapter before screwing. Be careful not to overtighten!



c. Screw the provided Flexible TUSHY Ace Hose to the Tank Adapter's side connection. Be careful not to overtighten!

WARNING: Connect to cold water line only (not the hot water line).



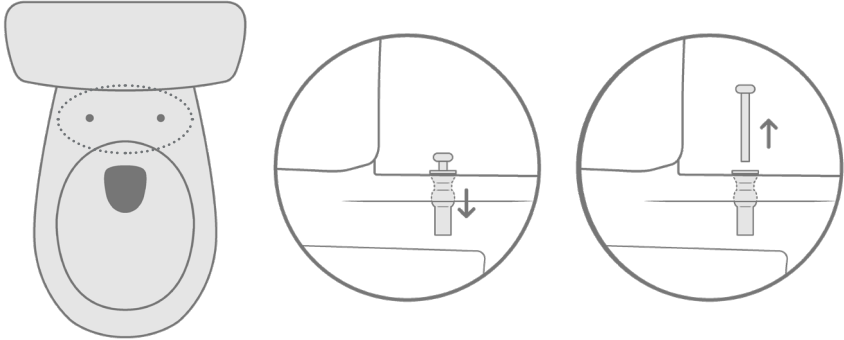
TUSHY TIPS

If you don't have access to the tank connection, check out our installation video at hellotushy.com/aceskirted and email us at aceinstall@hellotushy.com for that part.

Got a hard metal pipe instead of a flexible hose connected to your toilet? No problem! You can swap that hard metal pipe out and replace it with the Flexible TUSHY Ace Hose included in your TUSHY Ace spare parts kit!

STEP 5: Attach your TUSHY Ace Base Plate to the bowl

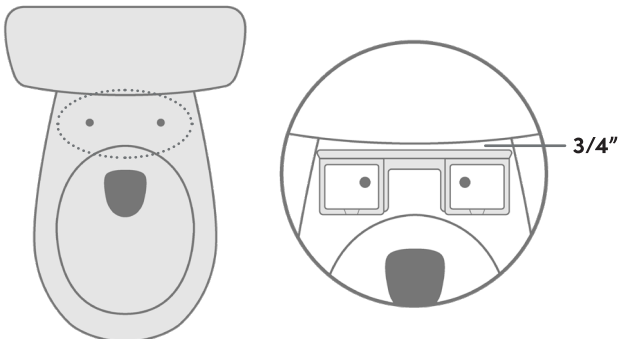
a. Insert the included Top-Mounting Rubber Inserts into the toilet bolt holes until they are nearly flush with the toilet rim. Keep the bolts in the rubber inserts to make it easier to get the inserts in the toilet bolt holes. Once the rubber inserts are in place, unscrew the Mounting Bolts and set them aside until the end of step 5.



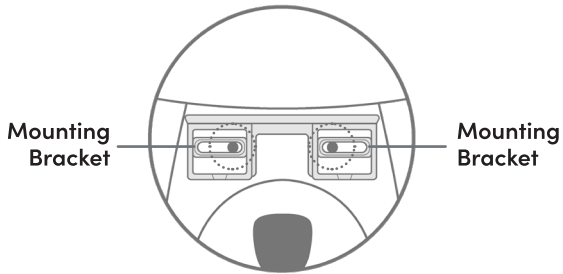
TUSHY TIP

If you're having trouble getting the rubber inserts into the toilet bolt holes, use some soapy water to help them slide in easier!

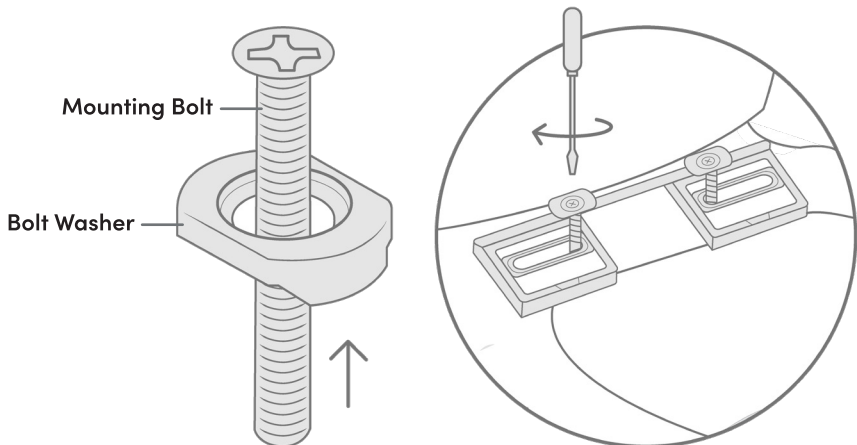
b. Place the included Base Plate over the toilet bolt holes, making sure it is centered and straight. Please also make sure the side of the Base Plate with rubber non-slip pads is facing down, not up. Align the back of the Base Plate with the tank, leaving a gap of at least $3/4$ " or the thickness of your thumb. It is okay if your gap is bigger than that.



c. Line up the included mounting brackets on the Base Plate directly over the toilet bolt holes. The mounting brackets should click into the grooves in the Base Plate to stay in place.



d. Slide the Bolt Washers onto the bolts. Insert the Mounting Bolts through the top of the mounting brackets. Tighten them using a Phillips head screwdriver by turning clockwise until the Base Plate is tight enough to stay in place. Be careful not to overtighten.

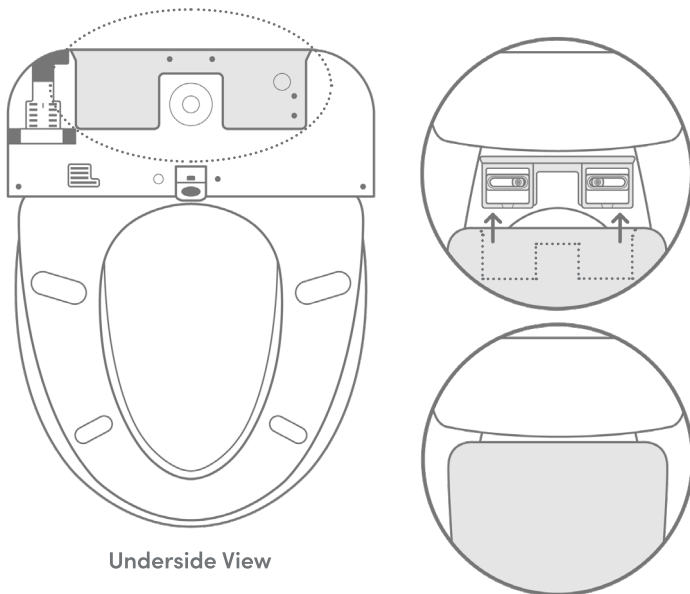


TUSHY TIP

While you're tightening the screws, check intermittently to see if the mounting bracket feels snug. If it still wiggles, keep tightening. If it feels snug, you're all set!

STEP 6: Attach your TUSHY Ace to the Base Plate

Next, place your TUSHY Ace onto your bowl in front of the Base Plate. You will notice that on the bottom of the main body there are two slots that will slide onto the Base Plate. Line those up with the Base Plate and slide towards the back of your toilet until it clicks into place and securely locks.

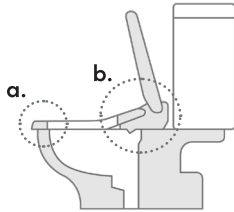


Underside View



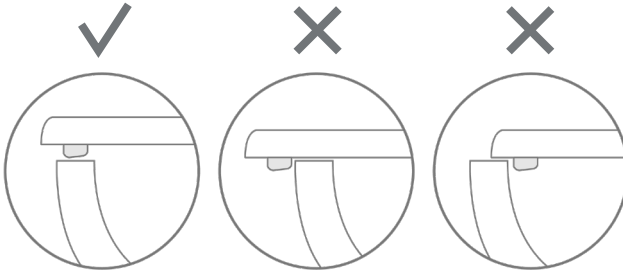
PREPARE TO POOP WITH
EXCELLENCE

Check your Ace alignment



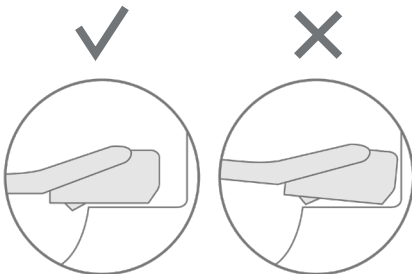
a. Lip over / under hang

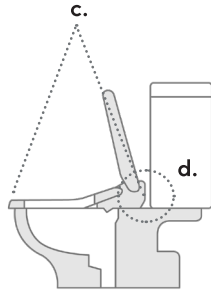
If you need to adjust the position of your TUSHY Ace, measure the amount of overlap at the front of your bowl so you can adjust the Base Plate accordingly.



b. Flat on toilet bowl

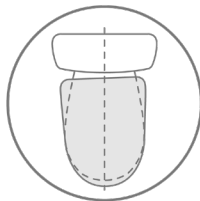
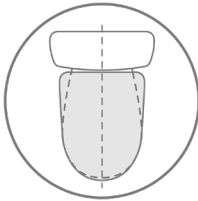
Make sure your TUSHY Ace lies flat on your toilet bowl so the nozzle can function properly. Move it forward if the nozzle is resting on the edge of the bowl.





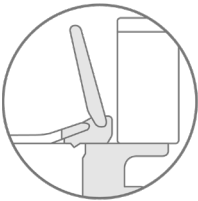
c. Straight

Make sure your TUSHY Ace is straight on the toilet bowl.



d. Allow space for lid

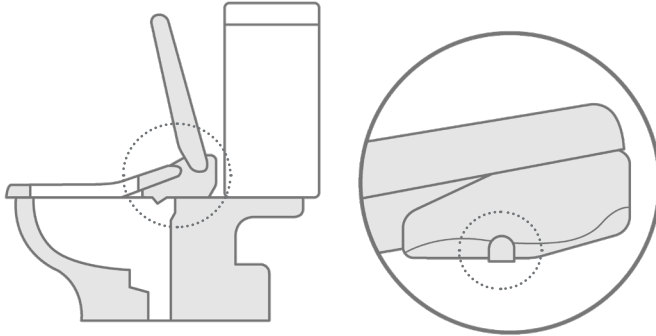
Make sure there is enough space between the TUSHY Ace and your tank so the lid can open properly.





TUSHY TIP

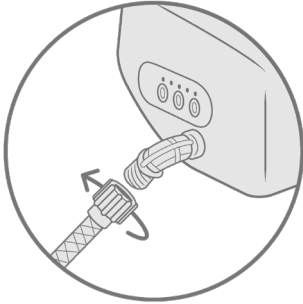
To remove TUSHY Ace from the Mounting Plate, press the unlock button on the right side of the seat and pull the seat away from the tank. Then, loosen the Mounting Bolts and adjust the Base Plate until it is in the desired location before reattaching your TUSHY Ace.



WE DON'T MEAN TO BE
ARISTOCRASS, BUT YOU'RE
THE CREAM OF THE PLOP

STEP 7: Finish the water connection

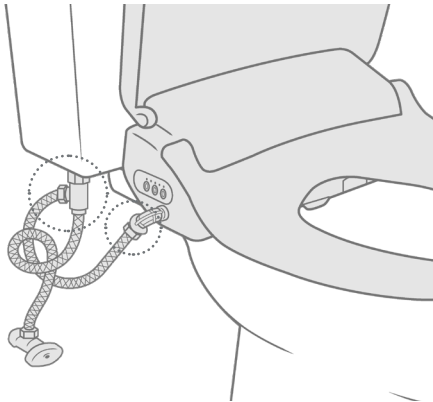
Take the open end of the Flexible TUSHY Ace Hose attached to the Tank Adapter and screw it onto the inlet port of the bidet in a counter-clockwise direction if you're looking from above. Do not overtighten—finger tight should be perfect.



STEP 8: Check for leaks

Turn on your water shutoff valve and check all connection points to make sure there are no visible leaks. If you see a leak, turn off your water shutoff valve and check your connections to make sure they are threaded straight and tight before you go to the next step.

If you are still having leaks, flip to our Troubleshooting section before continuing.



STEP 9: Plug in your TUSHY Ace

Once the connections are leak-free and the area around you is dry, plug your Ace into a grounded, 3-prong 120V outlet. Is your butt tingling yet!?



TUSHY TIP

If your outlet is out of reach, you'll need a 3-prong, grounded extension cord. You can find one at your local hardware store, or email us at aceinstall@hellotushy.com and we can point you in the right direction. While you wait, you can leave the TUSHY Ace on the toilet. It's still a functioning toilet seat!

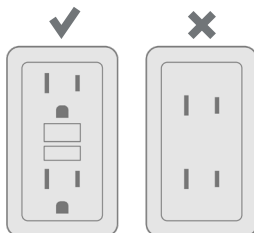
If you have a 2-prong outlet, purchase a grounding converter from a local hardware store or email us at aceinstall@hellotushy.com for recommendations. The grounding converter should be used only until a properly grounded outlet can be installed by a qualified electrician.

Grounding Instruction

DANGER: Improper use of the grounding plug may result in a risk of electric shock. Refer to Warnings and Safety page.

This product has a 3-prong grounding plug, which must be plugged into an outlet that is properly installed and grounded. In the event of an electrical short circuit, grounding reduces the risk of electric shock by providing an escape wire for the electric current. If repair or replacement of the cord or plug is necessary, do not connect the grounding wire to either flat blade terminal. Check with a qualified electrician if you don't understand the grounding instructions, or if you're not sure whether the product is properly grounded.

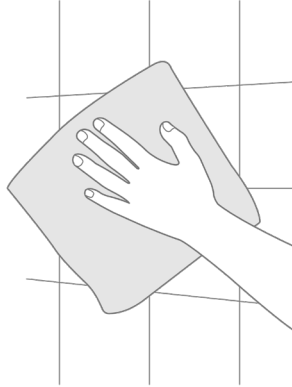
TUSHY Ace is intended for use on a nominal 120V circuit, and has a grounding plug that looks like the plug illustrated below.



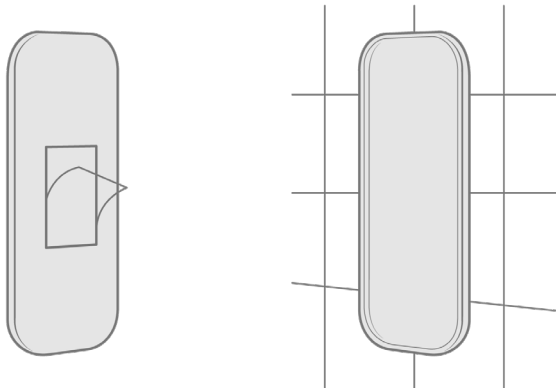
STEP 10: Set up your remote

WARNING: Only install the remote in a dry area.

The future of toileting is here! Select an area of the wall that will be within reach of the toilet while seated. Clean that area and then make sure it is fully dry. The adhesive works best on dry wall or tile.



Remove the adhesive protection to attach the remote control dock to the cleaned area.

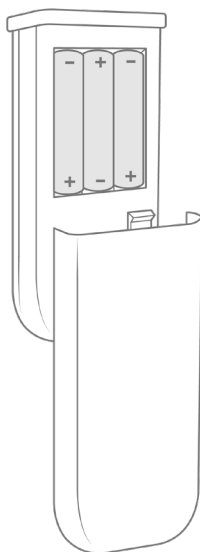


TUSHY TIP

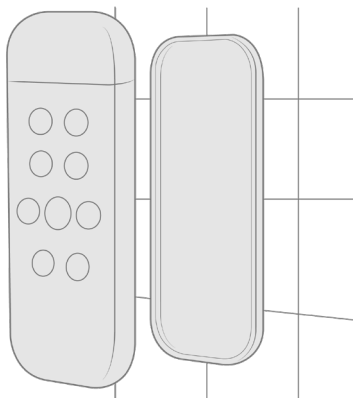
Can't decide on a mounting location? Set the dock aside and leave the remote on the toilet tank when not in use. You know your household—if kids or pets are in the mix, the remote is likely to disappear if undocked.

Slide the battery cover off and insert the provided AAA batteries into the back of the remote, then replace the battery cover.

WARNING: Keep batteries away from children.



To attach the remote to the dock, simply line it up and press the remote against the dock. The embedded magnets will hold it in place.

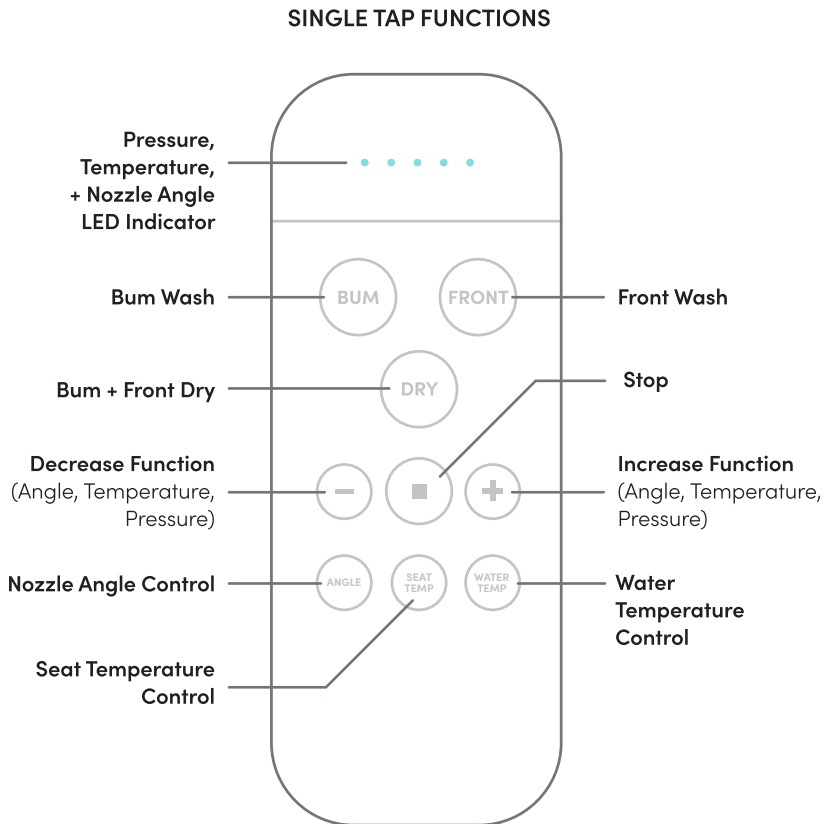


You've done it! Your ass-terpiece is complete! Now you get to sit on your throne.

How To Use Your TUSHY Ace

Before using your TUSHY Ace, make sure it is plugged into a grounded, 3-prong 120V outlet, there are batteries in the remote and your water valve is open.

Remote Functions:



To operate your TUSHY Ace with the remote, tap the setting button you want to change (nozzle angle, pressure, or temperature), then use the increase or decrease buttons to adjust that setting. Next, press Bum or Front wash to activate the spray. You can also change these settings during operation to fine tune your preferences.

Once you have completed your wash, tap the Dry button to activate the bum dryer. Pressing the + and - buttons during drying will increase or decrease the temperature of the air. Use the Stop button to stop any function. If you want to warm up your seat before taking it for a drive, you can adjust the Seat Temperature without activating the seat sensor. To turn it off, press the stop button. If your remote lights are flashing red, then your batteries are low and need to be replaced.

Special functions/modes



Oscillating Power Wash

Double click on the Bum or Front wash buttons to activate the power wash setting which will oscillate the nozzle during wash sequence.



Manual Self-Cleaning Function

Press and hold the Seat Temperature and Water Temperature buttons for 5 seconds to activate the self-cleaning function. The Ace automatically cleans the nozzle after every use, but you can do it manually too if you're a clean freak!



Soft Reset

Press and hold both the + and - buttons for 5 seconds to reset the TUSHY Ace to factory conditions. Try this if your Ace is acting a little funky.



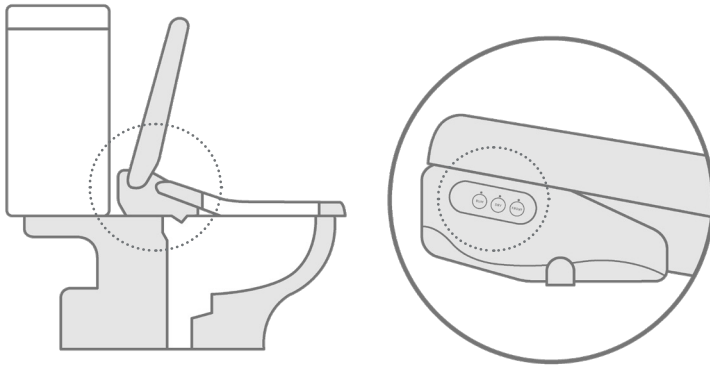
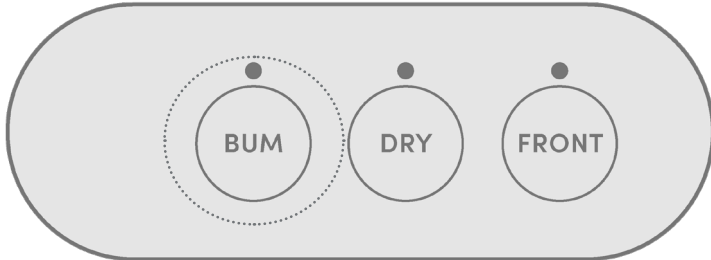
Mute Function

Want Ace to whisper softly into your rear?

Activate the Mute Function by holding the stop button for 10 seconds.

- After 5 seconds, you'll notice the lights turning white—keep holding!
- These lights will act as a visual countdown for 5 more seconds. Once they turn completely off, you're muted!
- If you decide you want to hear the beeps again, just follow the same steps outlined above!

Lost remote, dead batteries? Check your couch cushions! If you still can't find it, TUSHY Ace has a simple spray function that can be accessed on the side of the bidet. To operate the Bum or Front wash, press the corresponding button once to activate, and again to stop. To operate the Dryer, press the Dry button once to activate, and again to stop. Please properly dispose of old batteries. To turn your bidet off and on using the side controls, hold the Bum and Dry buttons at the same time until you hear a beep.



— Warnings & Safety

Read all instructions before installing or using your TUSHY Ace.

Failure to do so could result in property damage, injury or death. Always turn off the water supply and disconnect all power sources before installing or performing maintenance on your TUSHY Ace.

When tightening connections, make sure they are tight, but be careful not to overtighten as this could result in leaks or property damage. Make sure you check for leaks after installing your TUSHY Ace and periodically thereafter.

Do not attempt to open or perform internal maintenance on the TUSHY Ace as this could result in injury or death as the device has electrical components.

Important Safeguards

Keep children away during installation process and exercise caution when using the device around children. To avoid danger of suffocation, keep the plastic bags away from babies and children. Do not use this bag in cribs, beds, carriages, or playpens. This bag is not a toy.

Read all instructions before using

- For 120V 60Hz: Power supply must be a 15 Amp GFCI outlet that is 1 ft. above the floor.
- Avoid using extension cords if possible. If using an extension cord, make sure it is a 3-prong, grounded extension cord rated to 15 Amps.
- Install only in well-ventilated areas to avoid excess humidity.
- Do not install in narrow toilet stalls or in shower stalls.
- Install only where direct contact with water is minimized.
- Do not install near any heat source.

DANGER: To reduce the risk of electrocution:

- Do not place or store product where it can fall or be pulled into a tub or sink.
- Do not place or drop into water or other liquid.

- Do not reach for the product if it has fallen into water. Unplug immediately.
- Connect the product to a properly grounded outlet only (refer to grounding instructions).
- Do not attempt to disassemble, modify, or alter the product.
- Do not pull the product by the power plug.
- Do not plug the product into an outlet that is being used by too many other products, is the incorrect voltage, or is loose.
- A damaged cord should be replaced or repaired immediately.
- Do not use a damaged power plug or plug into a loose electric outlet.
- Do not handle the product or power plug with wet hands.
- Do not handle the power plug forcefully or place heavy objects on the power plug.
- Remove any dust or water from the power plug before plugging in.

WARNING: To reduce the risk of burns, electrocution, fire or injury:

- Use supervision when this product is used by, on, or near children or individuals with disabilities.
- For children and seniors who may have difficulties with adjusting temperature or pressure or those with sensitive skin or impaired heat sensitivity, set the temperature and/or pressure of the wash spray and seat to “low” or “off” to prevent burning or injury.
- Use this product only for its intended use as described in this manual. Do not use attachments not recommended by the manufacturer.
- Never operate this product if it has a damaged cord or plug, if it is not working properly, has been dropped or damaged, or has been dipped into water. Contact customer support for diagnosis and repair.
- Keep the cord away from heated surfaces.
- Never drop or insert any object into any opening or hose.
- Do not use outdoors or operate where aerosol (spray) products are being used or where oxygen is being administered.
- Do not use industrial or gray water for the water supply (may cause skin damage or disease).
- Do not block air outlets.
- Do not place the product on soft surfaces where air openings may be blocked.
- Keep openings free of lint, hair, and other materials.
- Do not push buttons with excessive force or open the seat cover using excessive force.
- Do not place heavy objects on the seat cover.
- Do not use this product while sleeping or drowsy.
- Do not operate or use the product around flammable or combustible materials.
- Unplug and drain the product if it will not be used for a long period of time.

- Do not use thinner, benzene, acidic chemicals, chloride, or hydrochloric acid detergent to clean the product, because this could result in corrosion or discoloration/scratches to the product.
- Check all water supply connections regularly for leaks.
- Do not connect the product to the warm water supply during installation.

WARNING: Do not stand on the TUSHY Ace. Doing so could result in property damages, injury or death.

WATER HAMMER WARNING: In the event that a loud banging noise occurs in the existing plumbing during installation, please cease using the device and consult a plumbing professional in order to prevent voiding your warranty and/or damaging your TUSHY Ace.

This device complies with part 15 of the FCC Rules. Operation is subject to the following two conditions: (1) This device may not cause harmful interference, and (2) this device must accept any interference received, including interference that may cause undesired operation. This equipment has been tested and found to comply with the limits for a Class B digital device, pursuant to part 15 of the FCC Rules. These limits are designed to provide reasonable protection against harmful interference in a residential installation. This equipment generates, uses and can radiate radio frequency energy and, if not installed and used in accordance with the instructions, may cause harmful interference to radio communications. However, there is no guarantee that interference will not occur in a particular installation. If this equipment does cause harmful interference to radio or television reception, which can be determined by turning the equipment off and on, the user is encouraged to try to correct the interference by one or more of the following measures: Reorient or relocate the receiving antenna. Increase the separation between the equipment and receiver. Connect the equipment into an outlet on a circuit different from that to which the receiver is connected. Consult the dealer or an experienced radio/TV technician for help.

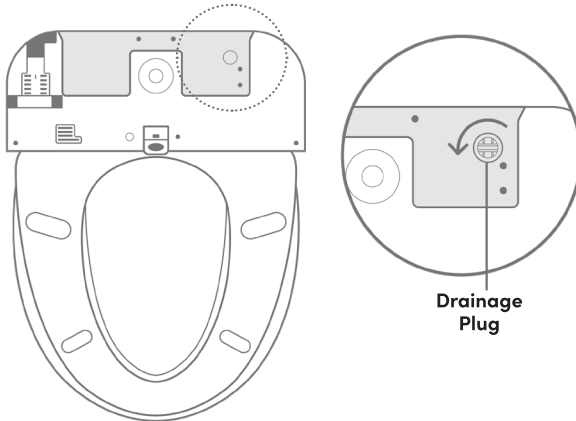
EXPOSURE WARNING: Exposure to extreme temperatures, strong chemicals (e.g., bleach, hydrochloric acid, or other harsh cleaning agents), or high water pressure may damage components of the bidet, leading to malfunctions such as leaks or flooding. Do not use, store, or apply in any way such chemicals around or near the bidet or its components. If you are concerned you may have, please reach out to install@hellotushy.com for replacement parts. Always follow proper usage and maintenance guidelines to prevent damage. Consult the cleaning instructions in the **Storage & Cleaning Section**.

IMPORTANT: Annual Inspection & Damage Detection Check your bidet, adapter(s), hose(s) and any other parts each year for cracks, leaks, signs of rusting, rips, tears, or any signs of distress/damage. If you find any of these issues, or observe any other signs of damage, turn off your water supply and disconnect the bidet. Discontinue use and contact us at install@hellotushy.com to obtain replacement parts. We've got your backside! If unsure, it is recommended to replace the hosing and tubing every 4 years to maintain optimal performance and ensure safety.

Storage & Cleaning

Storing or moving your TUSHY Ace

To uninstall your TUSHY Ace, turn off your water valve, disconnect the plug from power, disconnect your Flexible TUSHY Ace Hose, disconnect your Tank Adapter, and use the detach button to slide your TUSHY Ace off of the Mounting Plate.



Underside View

Drain your TUSHY Ace before storing or moving by locating the drain plug on the bottom of the device. Using a flathead screwdriver, turn the plug counter-clockwise a quarter turn to open the drain. The plug will not remove completely. Drain into a toilet, tub or sink and then tighten the plug before storing.

Cleaning your TUSHY Ace

You should clean your TUSHY Ace as frequently as you clean your toilet with a mild, neutral-PH cleaner. Cleaning products we recommend include Simple Green, Dr. Bronner's or any soap that isn't too harsh or caustic. If you have any doubt, please send a photo of the label to aceinstall@hellotushy.com, and we can confirm that it is a good match!

⚠ CAUTION: Avoid using harsh chemicals such as bleach or bleach-based products on your TUSHY's water hoses. These can cause the hose to crack and lead to leaks and water damage.

Troubleshooting

My TUSHY Ace buttons don't seem to work.

Possible Causes:

1. TUSHY Ace not plugged in.
2. No power to TUSHY Ace.
3. The remote lights are flashing red or doesn't turn on at all.
4. Not activating Seat Sensor.

Possible Solutions:

1. Make sure the TUSHY Ace is plugged in.
 2. Check and reset the GFCI outlet.
 3. Replace the batteries in the remote. Then perform a soft reset on the remote.
 4. Adjust sitting position to fully cover the Seat Sensor.
-

The water is too hot!

Possible Causes:

1. The temperature setting is too high.
2. TUSHY Ace may be connected to the warm water supply.

Possible Solutions:

1. Adjust the temperature setting on the remote.
 2. Connect the TUSHY Ace to the cold water supply.
-

TUSHY Ace shuts off during use.

Possible Causes:

1. Washing time exceeded the cycle time.
2. Power failure.

Possible Solutions:

1. Press the wash button again to extend the cycle time.
 2. Check and reset the GFCI outlet.
-

There is leaking from the TUSHY Ace body or hose connections.

Possible Causes:

1. The black rubber gasket(s) are not properly installed on the hose or adapters.
2. The hose connection is cross-threaded.

Possible Solutions:

1. Make sure that the black gasket(s) are properly installed on both ends of the Flexible TUSHY Ace Hose and the Tank Adapter.
2. Unscrew the hose and screw it back on making sure it is

3. There is Teflon tape on the threads.

straight and aligned properly.
3. Remove all Teflon tape from threads and reinstall.

The tank adapter isn't the same size as my toilet connection hose.

Possible Causes:
1. We bet you have a unique plumbing setup.

Possible Solutions:
1. Contact our TUSHY Ace installation Poo-Rus at aceinstall@hellotushy.com and we'll get you set up!

There's no access to water next to my toilet.

Possible Causes:
1. You have a Flushometer or commercial toilet.

Possible Solutions:
1. Reach out to our Poo-Rus if you need help installing on a flushometer toilet.

2. You have a skirted toilet.

2. Go to hellotushy.com/aceskirted for tips on how to connect these toilets with the valve adapter.

3. You have a wall-mounted toilet or a unique plumbing situation that doesn't allow you to connect at the water valve at the wall.

3. Contact our TUSHY Ace install Poo-Rus at aceinstall@hellotushy.com and we'll get you set up!

Still not getting the Ace experience?

Drop us an email at aceinstall@hellotushy.com—we won't stop until your butt is beaming.

— One Year Limited Warranty

1. TUSHY warrants this product to be free from defects in materials and workmanship under conditions of normal use for a period of one (1) year from the date of purchase. This warranty is extended only to the original purchaser and is not transferable if the original purchaser sells or otherwise transfers the product. TUSHY may require proof of purchase to determine whether a claim falls within the warranty period.

2. To report any product issues and to open a claim under the warranty, contact TUSHY at warranty@hellotushy.com. TUSHY will reach out to you to attempt to help resolve the issue.

3. If a defect covered by this warranty arises, TUSHY's obligations under this warranty are limited to repair or replacement, at TUSHY's option, provided that such products were used in accordance with the instructions. Replacement may be of the same or similar product at TUSHY's discretion and based on availability. TUSHY reserves the right to inspect the product to confirm that the issue is covered by this warranty.

4. TUSHY is not responsible for the cost of return shipping of this product.

5. This warranty does NOT apply to:

Damage or loss that occurs during shipment.

Damage, loss, or injury resulting from negligent or improper use or the user's failure to follow instructions and safety warnings.

Damage or loss resulting from modification of the product.

Damage or loss resulting from normal "wear and tear" of the product.

Damage based on claims of personal injury or property damage, including, but not limited to, claimed damages that are incidental, or consequential in nature.

6. THIS WRITTEN WARRANTY IS THE ONLY WARRANTY MADE BY TUSHY. REPAIR OR REPLACEMENT AS PROVIDED UNDER THIS WARRANTY SHALL BE THE EXCLUSIVE REMEDY AVAILABLE TO THE

PURCHASER. TUSHY SHALL NOT BE RESPONSIBLE FOR LOSS OF USE OF THE PRODUCT OR FOR OTHER INCIDENTAL, SPECIAL, OR CONSEQUENTIAL DAMAGES OR EXPENSES INCURRED BY THE PURCHASER OR A THIRD PARTY, OR FOR ANY OTHER EXPENSES NOT SPECIFICALLY STATED ABOVE. EXCEPT TO THE EXTENT PROHIBITED BY THE APPLICABLE LAW, ANY IMPLIED WARRANTIES, INCLUDING THOSE OF MERCHANTABILITY AND FITNESS FOR A PARTICULAR PURPOSE, ARE EXPRESSLY LIMITED TO THE DURATION OF THIS WARRANTY. SOME STATES DO NOT ALLOW LIMITATIONS, SO THE ABOVE LIMITATION AND EXCLUSION MAY NOT APPLY TO YOU.

7. This warranty gives you specific legal rights, and you may also have other rights which vary from state to state.

TECHNICAL SPECIFICATIONS

Dimensions: 19.61"L x 16.90"W x 6.09"H (Round)
21.05"L x 16.90"W x 6.35"H (Elongated)

Weight: 9.9lbs

Rated Power Supply: 120 VAC, 60Hz
Rated Max Power Consumption: 864 W
Power Cord Length: 47.25"

Water Max Temperature: 107.6F
Seat Max Temperature: 107.6F
Dryer Max Temperature: 131F



YOUR MAJESTY, YOUR
THRONE AWAITS

Meet the TUSHY Poo-Rus

**We bend over backwards for your backside.
Find a helpful bidet concierge every day at hellotushy.com
— chat with a real pooping human!**

Support Center

Self-service more your thing? Visit hellotushy.com/support

Text Us

Keep us in your back pocket!

Text MYTUSHY to 794-54 (US only) or 1 (888) 599-8926 (Canada only)

Say hi!

Comments! Compliments! Butt puns!

hello@hellotushy.com

Have General Qs?

i.e. shipping options, product availability: questions@hellotushy.com

Need a Hook-up With the Hook-Up?

Install help, spare parts, and troubleshooting: install@hellotushy.com

Subscriptions

Change address, change frequency, or cancel by logging in at hellotushy.com

Returns

Send it back?! OK, I guess.

hellotushy.com/returns

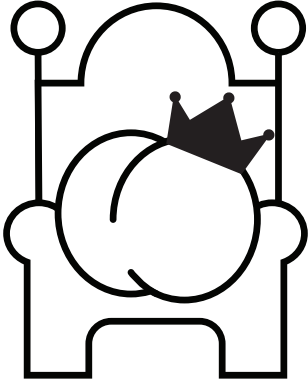
We bend over backwards for your backside.

Email aceinstall@hellotushy.com for assistance.



@hellotushy

Votre grâce, voici Ace.



Manuel du Propriétaire de TUSHY Ace



TUSHY

Félicitations !

**Vous avez gagné le droit d'être appelé
Votre "Hiney-ness."**

Ce manuel vous guidera pas à pas dans
l'installation de votre TUSHY Ace. Préparez-vous à
avoir des fesses étincelantes, un encombrement réduit
et une toilette qui ressemble vraiment à un trône.

<http://hellotushy.com/aceinstall>



— Table of Contents

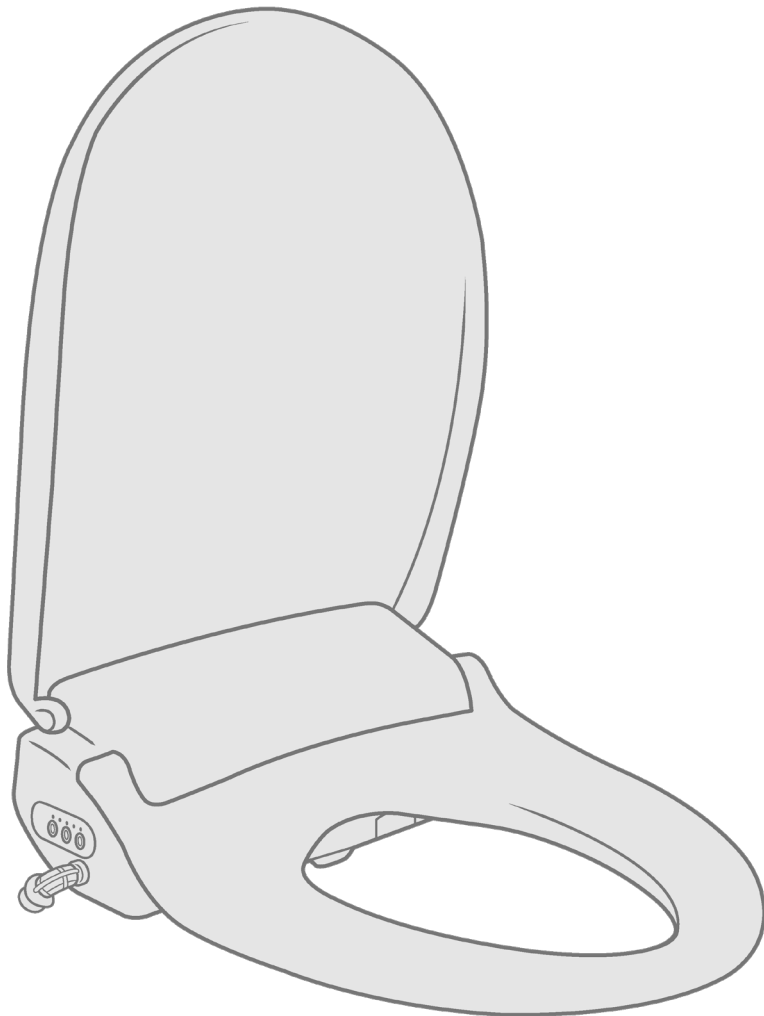
46	75
Rencontrez votre TUSHY Ace	Avertissements et sécurité
47	78
Avant de Commencer	Stockage et nettoyage
57	79
Préparez Votre Toilette	Dépannage
60	81
Connecter votre TUSHY Ace	Garantie
72	83
Comment utiliser votre TUSHY Ace	Informations de contact



GOOD DAY TO YOUR
HIGH-CLASS ASS

—

Découvrez votre TUSHY Ace



Avant de commencer

Avertissements et sécurité

Lisez toutes les instructions avant d'installer ou d'utiliser votre TUSHY Ace. Le non-respect de cette consigne pourrait entraîner des dommages matériels, des blessures ou la mort. Coupez toujours l'alimentation en eau et déconnectez toutes les sources d'alimentation avant d'installer ou d'effectuer l'entretien de votre TUSHY Ace.

Lorsque vous serrez les connexions, assurez-vous qu'elles sont serrées à la main, mais veillez à ne pas trop serrer car cela pourrait entraîner des fuites ou des dommages matériels. Assurez-vous de vérifier l'absence de fuites après avoir installé votre TUSHY Ace et périodiquement par la suite.

N'essayez pas d'ouvrir ou d'effectuer une maintenance interne sur le TUSHY Ace car cela pourrait entraîner des blessures ou la mort, l'appareil ayant des composants électriques.

Entrez dans le vif du sujet

Démarrons ce POTTY ! Mettez des TUSHY Tunes qui font bouger les fesses. Nous avons rassemblé les morceaux parfaits pour vous mettre d'humeur à améliorer vos toilettes, vos fesses et votre vie.
hellotushy.com/tunes

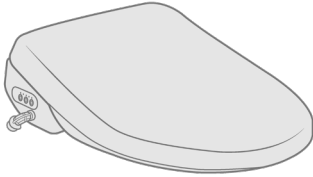


Scannez ceci avec l'appareil photo de votre téléphone pour le tester. La technologie, hein ?

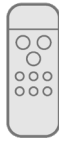
Nous contacter

Vous avez une question ? Nos Poo-Rus de l'expérience client sont prêts à vous aider. Envoyez-nous un e-mail à aceinstall@hellotushy.com

Pièces incluses



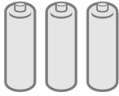
TUSHY Ace



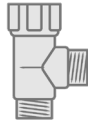
Télécommande



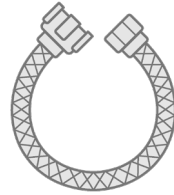
Socle de montage



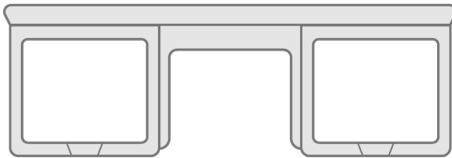
3x Piles AAA



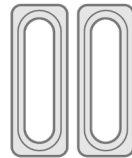
Adaptateur
de réservoir
(Compression 7/8")



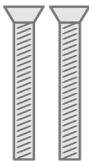
Tuyau flexible
du TUSHY Ace
(Compression 1/2")



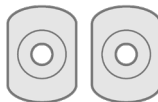
Plaque de base



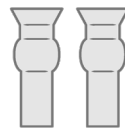
2x Supports de montage



2x boulons
de montage



2x Rondelles
de boulons



2x Inserts en
caoutchouc pour le
montage supérieur



ASTUCES TUSHY

Conservez toutes ces pièces (et ce manuel) au cas où vous en auriez besoin à l'avenir !

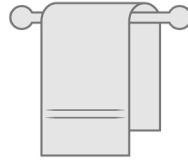
Vous aurez également besoin:



**Tournevis à
tête plate**



**Tournevis à
tête Phillips**



**Serviettes (Pour les
dégâts éventuels)**

Accès à une prise de courant à moins de 3 pieds



**YOUR TOASTY SEAT FOR THE
POOPING ELITE AWAITS**



Pour une installation guidée, scannez ce code pour regarder notre vidéo d'installation TUSHY Ace ou allez sur hellotushy.com/aceinstall

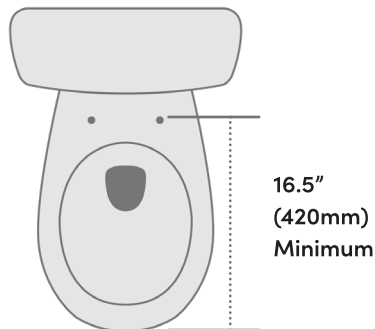
Vérifiez votre toilette.

(There are different kinds of toilets? Who knew?)

1. Quelle est la forme du bol que vous avez ?

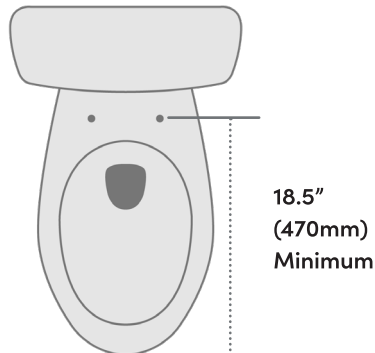
Rond

Une cuvette ronde est généralement plus courte et plus ronde. On la trouve généralement sur les anciennes toilettes.



Allongé

Une cuvette allongée est généralement plus longue et plus ovoïde. On la trouve couramment sur les toilettes les plus récentes.



Assurez-vous que votre TUSHY Ace correspond à la forme de la cuvette de votre toilette. Si elles ne correspondent pas ou si vous n'êtes pas sûr, contactez aceinstall@hellotushy.com et nous vous aiderons.

2. Quel type de toilettes possédez-vous ?

Standard

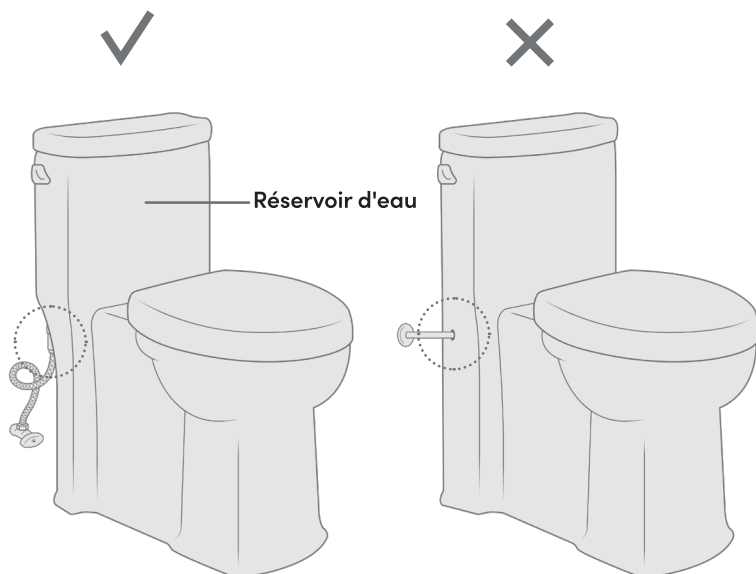
Plus populaires



Les toilettes standard sont les toilettes les plus courantes que l'on trouve dans la majorité des habitations. Elles sont généralement composées de deux pièces, à savoir la cuvette et le réservoir, et possèdent un tuyau flexible en acier entre l'alimentation en eau et le réservoir. Plus important encore, tous les raccords d'alimentation en eau sont visibles. Si vous avez la norme, vous serez prêt à fonctionner en un rien de temps !

Si vous avez la moindre question, envoyez un courriel à aceinstall@hellotushy.com et nous serons en mesure de vous aider.

La Jupé

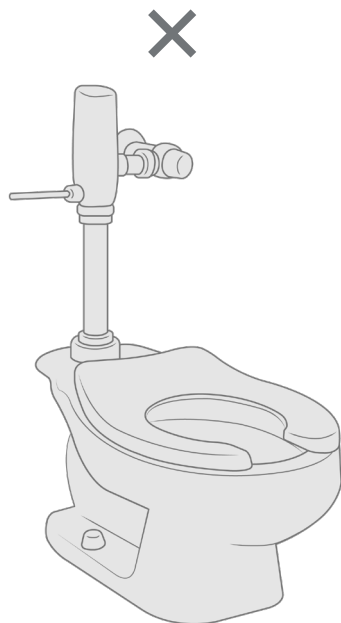


Les toilettes à jupe sont un design plus moderne et plus propre qui peut cacher le raccordement du réservoir externe. Si vous pouvez accéder à la connexion du réservoir, c'est génial ! Vous ne devriez pas avoir trop de problèmes.

Si vous ne pouvez pas accéder à la connexion du réservoir, consultez le site hellotushy.com/aceskirted pour obtenir des conseils sur la façon de connecter ces toilettes avec l'adaptateur de valve. Nous vous aiderons à vous installer en un rien de temps.

Si vous avez la moindre question, envoyez un courriel à aceinstall@hellotushy.com et nous serons en mesure de vous aider.

La Chasse d'Eau



Les toilettes à chasse d'eau se trouvent normalement dans les bâtiments commerciaux, mais certains immeubles résidentiels en sont également équipés (je vous regarde, amis de New York). Elles disposent d'un levier avec une chasse d'eau puissante et ne permettent pas d'accéder facilement à un raccordement d'eau. À première vue, ces toilettes n'ont pas l'air compatibles avec la chasse d'eau, MAIS... nous avons un hack pour cela)

Contactez notre Poo-Rus si vous avez besoin d'aide pour installer une toilette à chasse d'eau.

Si vous avez la moindre question, envoyez un courriel à aceinstall@hellotushy.com et nous serons en mesure de vous aider.

PEUT-ÊTRE

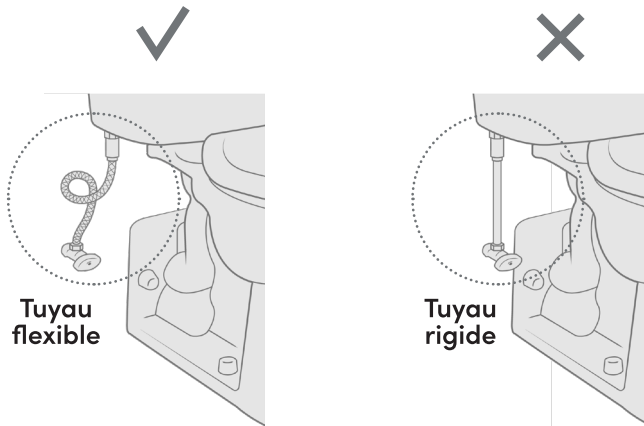


Faites-vous oui oui dans ce type de pot ? Les **toilettes à courbe française** sont des toilettes d'une seule pièce qui sont incurvées à l'arrière. Bien qu'elles soient très haut de gamme, elles ont aussi tendance à être difficiles à adapter aux sièges ou accessoires de bidet.

Pour savoir si votre toilette est compatible, consultez le site hellotushy.com/compatibility

Si vous avez la moindre question, envoyez un courriel à aceinstall@hellotushy.com et nous serons en mesure de vous aider.

3. Vérifiez votre raccordement d'eau



Quel type de raccordement à l'eau votre toilette possède-t-elle ?
Si vous avez un tuyau flexible (à gauche), vous êtes prêt à partir.
Si vous avez un tuyau dur, contactez notre Poo-Rus et nous vous enverrons un tuyau flexible pour le remplacer. Pour une vidéo d'installation sur la façon de remplacer votre tuyau dur, allez sur hellotushy.com/acetoilethose.



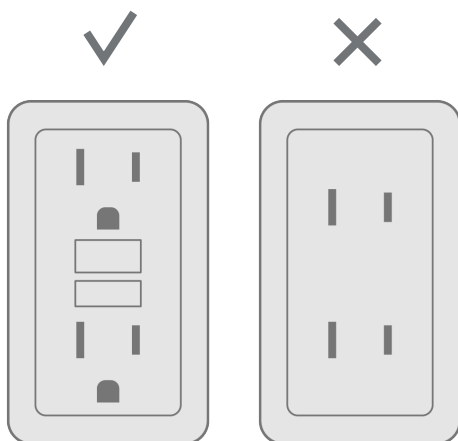
TURN YOUR CAN INTO
A CAN D'OR

Si vous avez la moindre question, envoyez un courriel à aceinstall@hellotushy.com et nous serons en mesure de vous aider.

4. Vérifiez votre prise de courant

AVERTISSEMENT: Le non-respect de cette consigne peut entraîner des blessures graves ou mortelles en raison d'un risque potentiel d'électrocution. Avant de commencer, votre TUSHY Ace doit avoir accès à une prise de courant GFCI pour assurer un fonctionnement sûr.

Tout d'abord, vérifiez la distance entre les toilettes et la prise. Si elle est supérieure à **1 mètre**, vous aurez besoin d'une rallonge. Prenez la rallonge que vous avez sous la main ou achetez-en une dans votre quincaillerie locale. Si vous n'êtes pas sûr, contactez-nous à l'adresse aceinstall@hellotushy.com et nous pourrons vous en recommander une.



Ensuite, vérifiez la prise elle-même. Si elle ressemble à celle de gauche, c'est bon !

Si'il s'agit d'une prise à deux broches, vous aurez besoin d'un convertisseur avec mise à la terre que vous pouvez trouver en ligne ou dans votre quincaillerie locale.

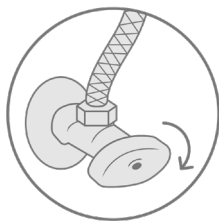
(Reportez-vous à la page 27 pour les avertissements applicables).

Si vous avez la moindre question, envoyez un courriel à aceinstall@hellotushy.com et nous serons en mesure de vous aider.

— Préparez Votre Toilette

ÉTAPE 1 : Fermez votre vanne d'alimentation en eau.

Fermez la vanne d'eau à côté des toilettes en la tournant dans le sens des aiguilles d'une montre.



ASTUCES TUSHY

Si vous n'avez pas accès à la connexion d'alimentation en eau à côté des toilettes, vous pouvez utiliser l'alimentation en eau de votre évier à la place. Pour une vidéo d'installation, rendez-vous sur [hellotushy.com/acesinkinstall](https://www.hellotushy.com/acesinkinstall).

Si la valve est étanche, il peut y avoir une accumulation de minéraux. Dans ce cas, essayez de la tourner dans un sens puis dans l'autre, chaque fois un peu plus loin jusqu'à ce qu'elle soit libre de tourner dans tous les sens. Lentement et sûrement, on gagne la course !

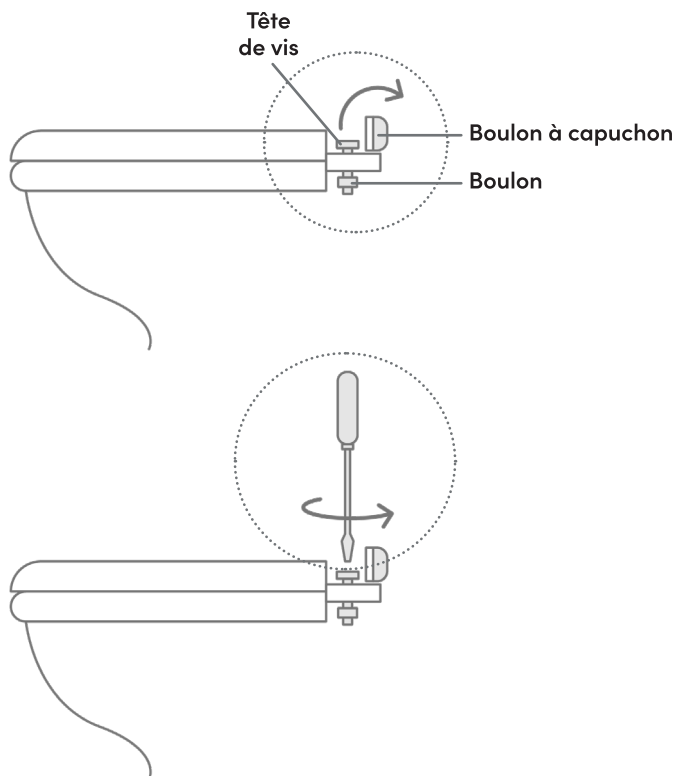
ÉTAPE 2 : Vider le réservoir de la toilette

Tirez la chasse d'eau pour vider le réservoir. Maintenez cette chasse d'eau jusqu'à ce que le réservoir se vide presque complètement ! Un pouce d'eau au fond est acceptable, cependant.



ÉTAPE 3 : Retirer le siège de la toilette

Pour la plupart des sièges de toilettes, soulevez les capuchons de vis situés derrière le siège à l'aide d'un tournevis à tête plate pour accéder aux vis. Tournez dans le sens inverse des aiguilles d'une montre pour desserrer les vis. Retirez le siège et stockez-le (au cas où vous en auriez besoin) ou enterrez-le (au cas où vous voudriez dire adieu à vos vieilles toilettes). Je plaisante, recyclez-le !



MIGHT WE ADD: YOUR
SH*T SMELLS OF ROSES



ASTUCES TUSHY

Il se peut que vous deviez tenir l'écrou sur le dessous de la vis avec votre autre main (en utilisant une pince ou une serviette si nécessaire) pendant que vous dévissez.

Si votre toilette est sale—ça arrive—c'est le moment idéal pour la nettoyer !

Vous devez faire face à un siège de toilette unique, à fixation rapide ou monté ?

Il y a une solution très simple. Il suffit de dévisser les boulons qui fixent les supports à libération rapide aux toilettes. Vous pourrez ensuite les retirer et les ranger avec votre siège si vous devez le réinstaller un jour. Les boulons peuvent se trouver sous un couvercle en plastique ou en métal.

Consultez le site hellotushy.com/mountedseatremoval pour obtenir des conseils en vidéo si vous avez des difficultés. Une fois que vous avez retiré le siège, mettez-le de côté et c'est terminé !



Scannez ce code pour obtenir une vidéo rapide montrant comment retirer votre siège à fixation rapide.



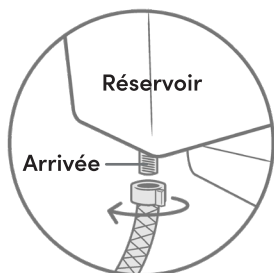
A ROYAL FLUSH LIES IN THE
CARDS FOR YOU

—

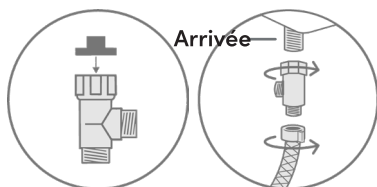
Connexion de votre TUSHY Ace



ÉTAPE 4: Raccordement à la conduite d'eau

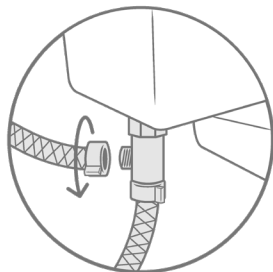


a. Débranchez le tuyau flexible existant du réservoir de votre toilette en le tournant dans le sens des aiguilles d'une montre si vous regardez la connexion d'en haut. Soyez prêt à récupérer ou à essuyer l'eau résiduelle qui pourrait se déverser sur le sol.



b. Vissez le tuyau flexible existant au bas de l'adaptateur pour réservoir, puis vissez le haut de l'adaptateur pour réservoir dans le sens inverse des aiguilles d'une montre sur le réservoir si vous regardez d'en haut. Assurez-vous que le joint en caoutchouc noir se trouve à l'intérieur du haut de l'adaptateur avant de le visser.

Veillez à ne pas trop serrer !



c. Vissez le tuyau flexible du TUSHY Ace fourni à la connexion latérale de l'adaptateur de réservoir.

Veillez à ne pas trop serrer !

AVERTISSEMENT: Ne raccordez que la ligne d'eau froide (pas la ligne d'eau chaude).



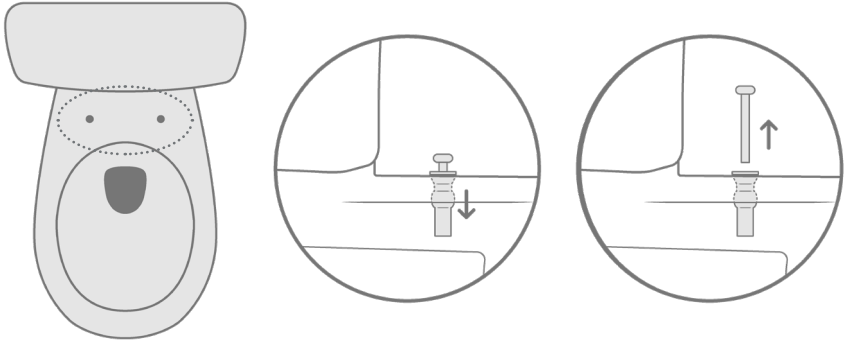
ASTUCES TUSHY

Si vous n'avez pas accès à la connexion du réservoir, vous aurez besoin d'un adaptateur de vanne à installer à la place de la vanne d'arrêt au mur. Consultez notre vidéo d'installation sur hellotushy.com/aceskirted et envoyez-nous un courriel à aceinstall@hellotushy.com pour cette pièce.

Vous avez un tuyau métallique dur au lieu d'un tuyau flexible connecté à vos toilettes ? No problem! Pas de problème ! Vous pouvez remplacer ce tuyau en métal dur par le tuyau flexible TUSHY Ace inclus dans votre kit de pièces de rechange TUSHY Ace.

ÉTAPE 5: Fixez votre plaque de base TUSHY Ace au bol

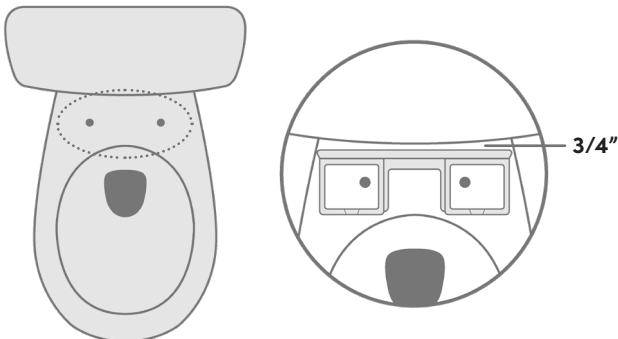
a. Insérez les inserts en caoutchouc de montage supérieur inclus dans les trous de boulons de la toilette jusqu'à ce qu'ils soient presque à égalité avec le rebord de la toilette. Gardez les boulons dans les inserts en caoutchouc pour faciliter l'insertion des inserts dans les trous de boulons de la toilette. Une fois les inserts en caoutchouc en place, dévissez les boulons de montage et mettez-les de côté jusqu'à la fin de l'étape 5.



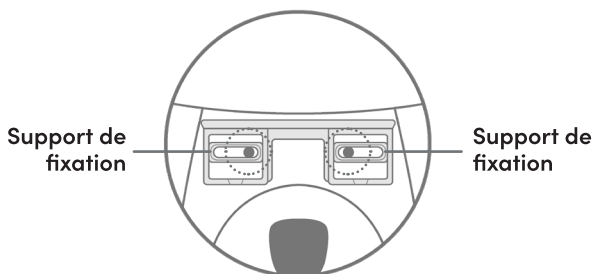
ASTUCES TUSHY

Si vous avez du mal à faire entrer les inserts en caoutchouc dans les trous de boulons des toilettes, utilisez de l'eau savonneuse pour les faire glisser plus facilement !

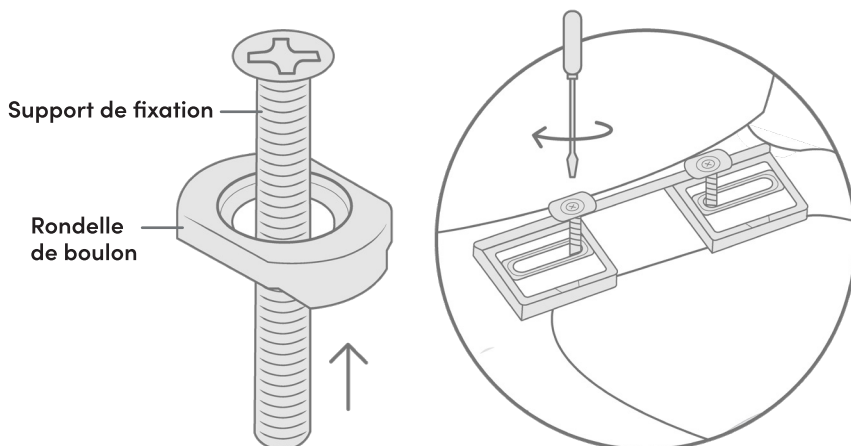
b. Placez la plaque de base incluse sur les trous de boulons des toilettes, en vous assurant qu'elle est centrée et droite. Veillez également à ce que le côté de la plaque de base doté de tampons antidérapants en caoutchouc soit orienté vers le bas, et non vers le haut. Alignez l'arrière de la plaque de base avec le réservoir, en laissant un espace d'au moins 3/4" ou l'épaisseur de votre pouce. Ce n'est pas grave si l'espace est plus grand que cela.



c. Alignez les supports de montage inclus sur la plaque de base directement sur les trous de boulons des toilettes. Les supports de montage doivent s'enclencher dans les rainures de la plaque de base pour rester en place.



d. Faites glisser les rondelles de boulon sur les boulons. Insérez les boulons de montage à travers le haut des supports de montage. Serrez-les à l'aide d'un tournevis cruciforme en tournant dans le sens des aiguilles d'une montre jusqu'à ce que la plaque de base soit suffisamment serrée pour rester en place. Veillez à ne pas trop serrer.

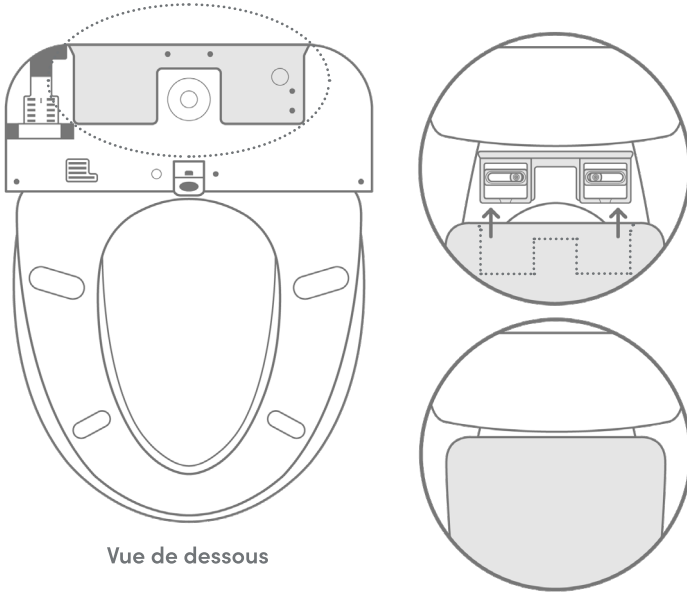


ASTUCES TUSHY

Pendant que vous serrez les vis, vérifiez par intermittence si le support de montage est bien ajusté. S'il bouge encore, continuez à le serrer. S'il est bien ajusté, tout est prêt !

ÉTAPE 6 : Fixez votre TUSHY Ace à la plaque de base

Ensuite, placez votre TUSHY Ace sur votre bol, devant la plaque de base. Vous remarquerez qu'au bas du corps principal se trouvent deux fentes qui se glissent sur la plaque de base. Alignez-les avec la plaque de base et faites-les glisser vers l'arrière de vos toilettes jusqu'à ce qu'elles s'enclenchent et se verrouillent en toute sécurité.

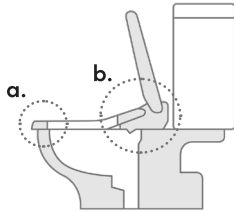


Vue de dessous



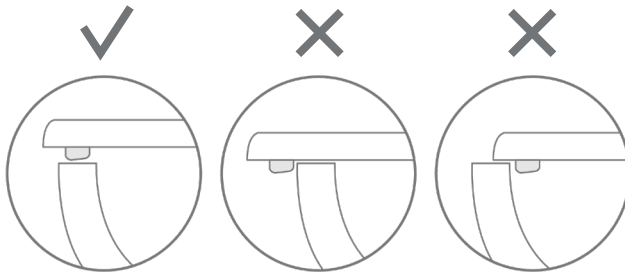
PREPARE TO POOP WITH
EXCELLENCE

Vérifiez l'alignement de votre Ace



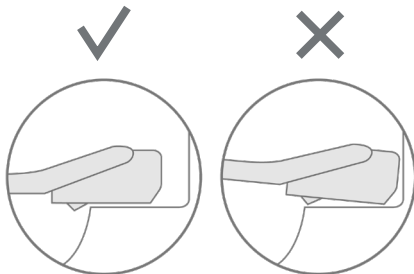
a. Dépassement de limite

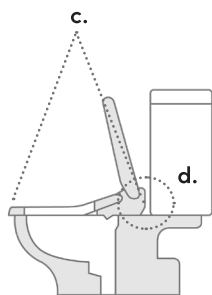
Si vous devez ajuster la position de votre TUSHY Ace, mesurez la quantité de chevauchement à l'avant de votre bol afin de pouvoir ajuster la plaque de base en conséquence.



b. A plat sur la cuvette de la toilette

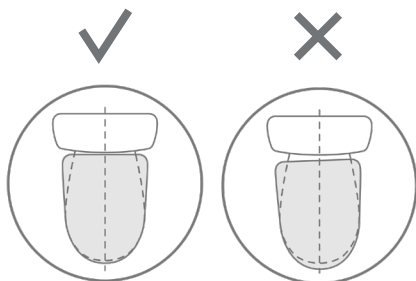
Assurez-vous que votre TUSHY Ace repose à plat sur la cuvette de votre toilette pour que la buse puisse fonctionner correctement. Avancez-le si la buse repose sur le bord de la cuvette.





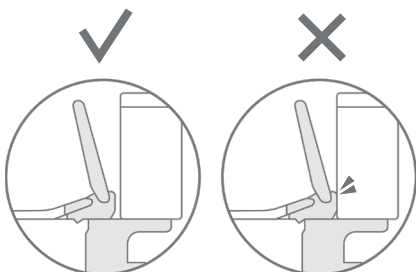
c. Droit

Assurez-vous que votre TUSHY Ace est bien droit sur la cuvette de la toilette.



d. Laissez de l'espace pour le couvercle

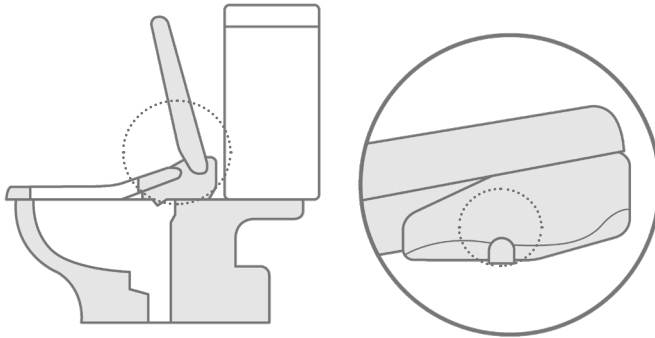
Assurez-vous qu'il y a suffisamment d'espace entre le TUSHY Ace et votre réservoir pour que le couvercle puisse s'ouvrir correctement.





ASTUCES TUSHY

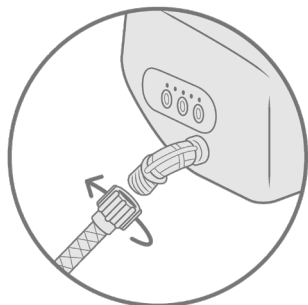
Pour retirer le TUSHY Ace de la plaque de montage, appuyez sur le bouton de déverrouillage situé sur le côté droit du siège et éloignez le siège du réservoir. Ensuite, desserrez les boulons de montage et ajustez la plaque de base jusqu'à ce qu'elle soit à l'endroit souhaité avant de fixer à nouveau votre TUSHY Ace.



WE DON'T MEAN TO BE
ARISTOCRASS, BUT YOU'RE
THE CREAM OF THE PLOP

ÉTAPE 7 : Finition du raccordement d'eau

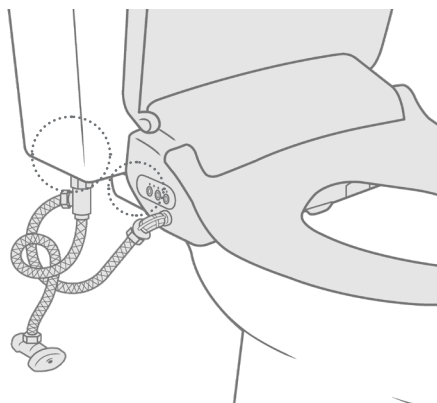
Prenez l'extrémité ouverte du tuyau flexible TUSHY Ace attaché à l'adaptateur du réservoir et vissez-le sur l'orifice d'entrée du bidet dans le sens inverse des aiguilles d'une montre si vous regardez d'en haut. Ne serrez pas trop fort - un serrage à la main devrait être parfait.



ÉTAPE 8 : Vérifiez les fuites

Ouvrez votre vanne d'arrêt d'eau et vérifiez tous les points de connexion pour vous assurer qu'il n'y a pas de fuites visibles. Si vous voyez une fuite, fermez votre vanne d'arrêt d'eau et vérifiez vos raccords pour vous assurer qu'ils sont filetés droit et serrés avant de passer à l'étape suivante.

Si vous avez toujours des fuites, passez à la section Dépannage avant de continuer.



ÉTAPE 9 : Branchez votre TUSHY Ace

Une fois que les connexions sont sans fuite et que la zone autour de vous est sec, branchez votre Ace sur une prise de courant de 120V à trois broches, avec mise à la terre. Vos fesses vous picotent-elles déjà ?



ASTUCES TUSHY

Si votre prise est hors de portée, vous aurez besoin d'une rallonge à trois broches avec mise à la terre. Vous pouvez en trouver une dans votre quincaillerie locale, ou nous envoyer un courriel à aceinstall@hellotushy.com et nous pourrions vous indiquer la bonne direction. En attendant, vous pouvez laisser le TUSHY Ace sur les toilettes. C'est toujours un siège de toilettes qui fonctionne !

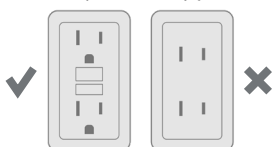
Si vous disposez d'une prise à deux fiches, achetez un convertisseur de mise à la terre dans une quincaillerie locale ou envoyez-nous un courriel à aceinstall@hellotushy.com pour obtenir des recommandations. Le convertisseur de mise à la terre ne doit être utilisé que jusqu'à ce qu'une prise correctement mise à la terre puisse être installée par un électricien qualifié.

Instruction de mise à la terre

DANGER : Une utilisation incorrecte de la fiche de mise à la terre peut entraîner un risque d'électrocution. Reportez-vous à la page Avertissements et sécurité.

Ce produit est équipé d'une fiche de mise à la terre à trois broches, qui doit être branchée sur une prise correctement installée et mise à la terre. En cas de court-circuit électrique, la mise à la terre réduit le risque de choc électrique en fournissant un fil de sortie pour le courant électrique. Si une réparation ou un remplacement du cordon ou de la fiche est nécessaire, ne connectez pas le fil de mise à la terre à l'une des bornes à lame plate. Consultez un électricien qualifié si vous ne comprenez pas les instructions de mise à la terre ou si vous n'êtes pas sûr que l'appareil soit conforme aux normes, ou si vous n'êtes pas sûr que le produit soit correctement mis à la terre.

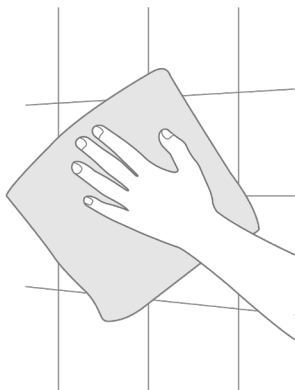
Le TUSHY Ace est destiné à être utilisé sur un circuit nominal de 120V, et possède une fiche de mise à la terre qui ressemble à la fiche illustrée ci-dessous.



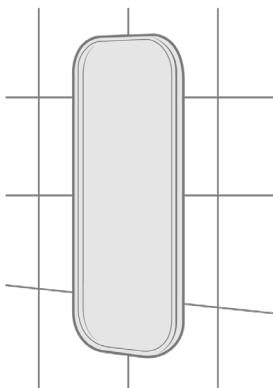
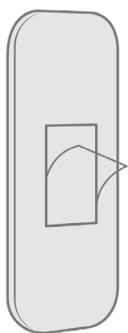
ÉTAPE 10 : Configurez votre télécommande

AVERTISSEMENT : N'installez la télécommande que dans un endroit sec.

L'avenir des toilettes est là ! Choisissez une zone du mur qui sera à portée de main des toilettes lorsque vous serez assis. Nettoyez cette zone et assurez-vous qu'elle est parfaitement sèche. L'adhésif fonctionne mieux sur un mur sec ou un carrelage.



Retirez la protection adhésive pour fixer le socle de la télécommande sur la zone nettoyée.

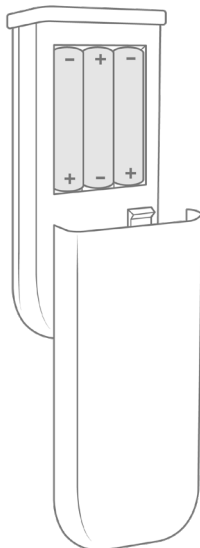


ASTUCES TUSHY

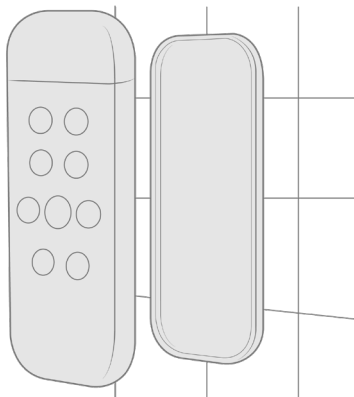
Vous n'arrivez pas à vous décider sur l'emplacement de montage ? Mettez la station d'accueil de côté et laissez la télécommande sur le réservoir des toilettes lorsqu'elle n'est pas utilisée. Vous connaissez votre famille : s'il y a des enfants ou des animaux domestiques, la télécommande risque de disparaître si vous la détachez.

Faites glisser le couvercle des piles pour l'enlever et insérez les piles AAA fournies à l'arrière de la télécommande, puis remplacez le couvercle des piles.

AVERTISSEMENT : Gardez les piles hors de portée des enfants.



Pour fixer la télécommande à la station d'accueil, il suffit de l'aligner et d'appuyer la télécommande contre la station d'accueil. Les aimants intégrés la maintiendront en place.



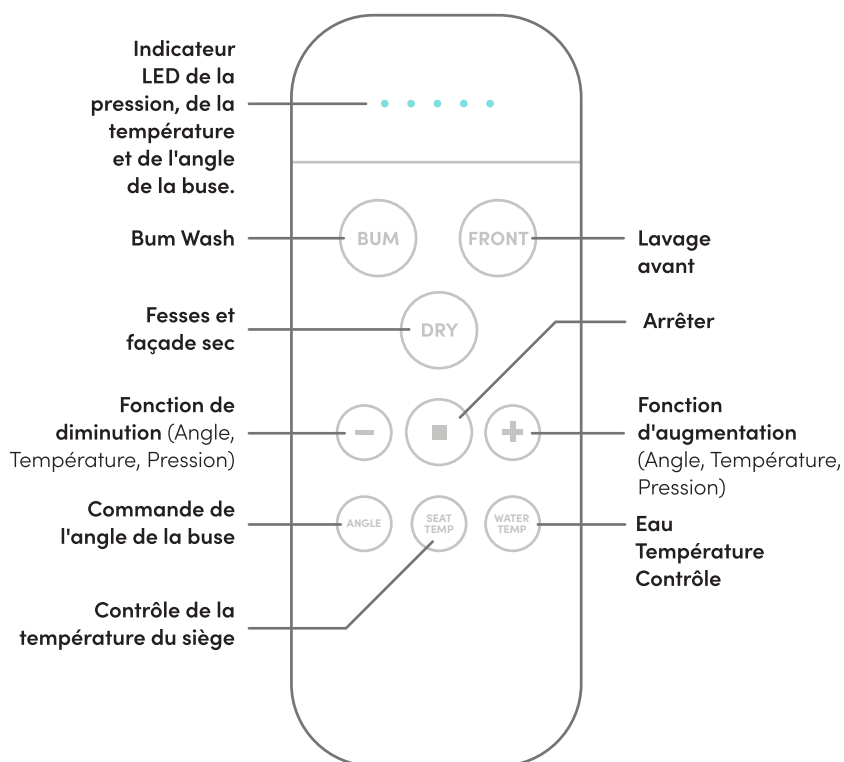
Vous l'avez fait ! Votre pièce de cul est complète ! Maintenant tu peux t'asseoir sur ton trône.

Comment utiliser votre TUSHY Ace

Avant d'utiliser votre TUSHY Ace, assurez-vous qu'il est branché dans une prise de courant 120V à 3 fiches avec mise à la terre, qu'il y a des piles dans la télécommande et que votre vanne d'eau est ouverte.

Fonctions de la télécommande:

FONCTIONS D'APPUI UNIQUE



Pour faire fonctionner votre TUSHY Ace à l'aide de la télécommande, appuyez sur le bouton de réglage que vous souhaitez modifier (angle de la buse, pression ou température). Utilisez les boutons d'augmentation ou de diminution pour régler ce paramètre. Ensuite, appuyez sur Bum ou Front wash pour activer le jet. Vous pouvez également modifier ces paramètres en cours de fonctionnement pour affiner vos préférences.

Une fois votre lavage terminé, appuyez sur le bouton Dry (Séchage) pour activer le séchoir à fesses. En appuyant sur les boutons + et - pendant le séchage, vous augmenterez ou diminuerez la température de l'air. Utilisez le bouton Stop pour arrêter n'importe quelle fonction. Si vous voulez réchauffer votre siège avant de le conduire, vous pouvez régler la température de votre siège. Si vous voulez réchauffer votre siège avant de le conduire, vous pouvez régler la température du siège sans activer le capteur du siège. Pour le désactiver, appuyez sur le bouton d'arrêt.

Fonctions/modes spéciaux



Lavage électrique oscillant

Double-cliquez sur les boutons de lavage des fesses ou du front pour activer le réglage de lavage puissant qui fera osciller la buse pendant la séquence de lavage.



Fonction d'auto-nettoyage manuel

Maintenez enfoncés les boutons Température du siège et Température de l'eau d'eau pendant 5 secondes pour activer la fonction la fonction d'autonettoyage. L'Ace nettoie automatiquement automatiquement la buse après chaque utilisation, mais vous pouvez aussi le faire manuellement si vous êtes un maniaque de la propreté ! Mais vous pouvez aussi le faire manuellement si vous êtes un maniaque de la propreté !



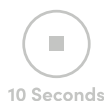
Réinitialisation manuelle

Appuyez sur les boutons + et - et maintenez-les enfoncés pendant 5 secondes pour réinitialiser le TUSHY Ace. Essayez ceci si votre Ace se comporte de manière un peu bizarre.

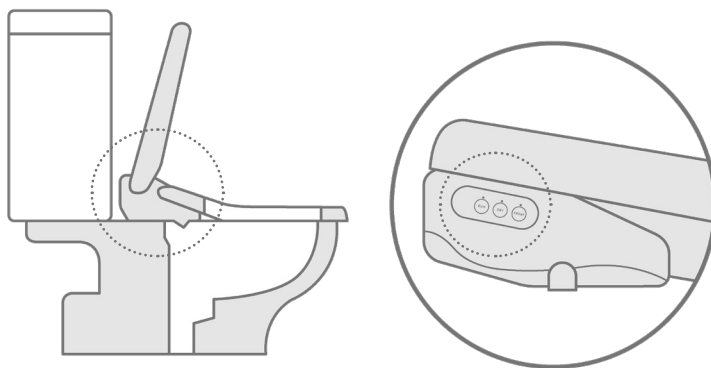
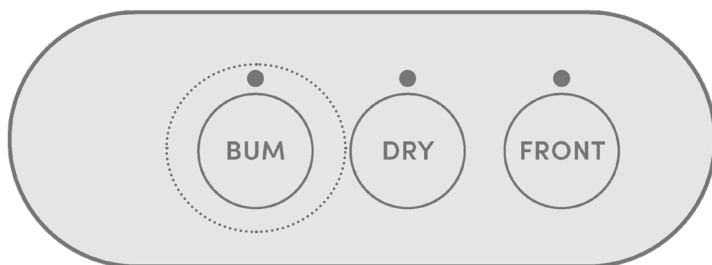
Fonction de sourdine

Vous voulez qu'Ace chuchote doucement dans votre dos ? Activez la fonction de sourdine en maintenant le bouton d'arrêt pendant 10 secondes.

- Après 5 secondes, vous remarquerez que les lumières deviennent blanches - continuez à les tenir !
- Ces lumières agiront comme un compte à rebours visuel pendant 5 secondes supplémentaires. Une fois qu'elles s'éteignent complètement, le son est coupé !
- Si vous décidez que vous voulez entendre les bips à nouveau il suffit de suivre les mêmes étapes que celles décrites ci-dessus !



Télécommande perdue, piles déchargées ? Vérifiez les coussins de votre canapé ! Si vous ne la trouvez toujours pas, TUSHY Ace dispose d'une fonction de pulvérisation simple accessible sur le côté du bidet. Pour faire fonctionner le lavage des fesses ou le lavage frontal, appuyez sur le bouton correspondant une fois pour activer, et une autre fois pour arrêter. Pour faire fonctionner le sèche-linge, appuyez sur le bouton Dry une fois pour l'activer et une autre fois pour l'arrêter. Veuillez éliminer correctement les piles usagées. Pour éteindre et allumer votre bidet à l'aide des commandes latérales, maintenez les boutons Bum et Dry enfoncés en même temps jusqu'à ce que vous entendiez un bip.



Avertissements et Sécurité

Lisez toutes les instructions avant d'installer ou d'utiliser votre TUSHY Ace. Le non-respect de cette consigne pourrait entraîner des dommages matériels, des blessures ou la mort. Avant d'installer ou d'effectuer l'entretien de votre TUSHY Ace, coupez toujours l'alimentation en eau et déconnectez toutes les sources d'alimentation électrique.

Lorsque vous serrez les connexions, assurez-vous qu'elles sont bien serrées, mais veillez à ne pas trop serrer car cela pourrait entraîner des fuites ou des dommages matériels. Assurez-vous de vérifier l'absence de fuites après avoir installé votre TUSHY Ace et périodiquement par la suite.

N'essayez pas d'ouvrir ou d'effectuer une maintenance interne sur le TUSHY Ace, car cela pourrait entraîner des blessures ou la mort, l'appareil comportant des composants électriques.

Mesures de sécurité importantes

Pour éviter tout risque de suffocation, tenez les sacs en plastique à l'écart des bébés et des enfants. N'utilisez pas ce sac dans un berceau, un lit, une poussette ou un parc pour enfants. Ce sac n'est pas un jouet.

Lisez toutes les instructions avant d'utiliser

- Pour 120V 60Hz : L'alimentation doit être assurée par une prise GFCI de 15 ampères située à 1 pied au-dessus du sol.
- Évitez d'utiliser des rallonges si possible. Si vous utilisez une rallonge, assurez-vous qu'il s'agit d'une rallonge à 3 broches, mise à la terre et calibrée à 15 ampères. - Installez l'appareil uniquement dans des endroits bien ventilés pour éviter un excès d'humidité.
- Ne l'installez pas dans des toilettes étroites ou dans des cabines de douche.
- N'installez l'appareil qu'à un endroit où le contact direct avec l'eau est réduit au minimum.
- Ne pas installer à proximité d'une source de chaleur.

DANGER: Pour réduire le risque d'électrocution:

- Ne pas placer ou stocker le produit à un endroit où il peut tomber ou être tiré dans une baignoire ou un évier.
- Ne pas placer ou laisser tomber le produit dans l'eau ou tout autre liquide.
- Ne cherchez pas à atteindre le produit s'il est tombé dans l'eau.

- Ne cherchez pas à atteindre le produit s'il est tombé dans l'eau. Débranchez immédiatement l'appareil
- Ne branchez le produit que sur une prise correctement mise à la terre (reportez-vous aux instructions de mise à la terre).
- N'essayez pas de démonter, de modifier ou d'altérer le produit.
- Ne tirez pas le produit par la fiche d'alimentation
- Ne branchez pas le produit sur une prise utilisée par trop d'autres produits, dont la tension est incorrecte ou qui est desserrée.
- Un cordon endommagé doit être remplacé ou réparé immédiatement.
- N'utilisez pas une fiche d'alimentation endommagée et ne la branchez pas sur une prise électrique mal fixée.
- Ne manipulez pas le produit ou la fiche d'alimentation avec des mains mouillées.
- Ne manipulez pas la fiche d'alimentation avec force et ne placez pas d'objets lourds sur la fiche d'alimentation.
- Retirez toute trace de poussière ou d'eau de la fiche d'alimentation avant de la brancher.

AVERTISSEMENT : Pour réduire les risques de brûlures, d'électrocution, d'incendie ou de blessures:

- Surveillez ce produit lorsqu'il est utilisé par, sur ou à proximité d'enfants ou de personnes handicapées.
- Pour les enfants et les personnes âgées qui peuvent avoir des difficultés à régler la température ou la pression, ou pour ceux qui ont la peau sensible ou qui sont moins sensibles à la chaleur, réglez la température et/ou la pression du jet de lavage et du siège sur "faible" ou "arrêt" pour éviter toute brûlure ou blessure.
- Utilisez ce produit uniquement pour l'usage auquel il est destiné, tel que décrit dans ce manuel. N'utilisez pas d'accessoires non recommandés par le fabricant.
- N'utilisez jamais ce produit si le cordon ou la fiche sont endommagés, s'il ne fonctionne pas correctement, s'il est tombé ou endommagé, ou s'il a été plongé dans l'eau. Contactez le service clientèle pour un diagnostic et une réparation.
- Maintenez le cordon à l'écart des surfaces chauffées.
- Ne laissez jamais tomber ou n'insérez jamais d'objet dans une ouverture ou un tuyau.
- N'utilisez pas l'appareil à l'extérieur ou dans des endroits où des produits en aérosol (spray) sont utilisés ou dans des endroits où de l'oxygène est administré.
- Ne pas utiliser d'eau industrielle ou d'eau grise pour l'alimentation en eau (peut causer des lésions cutanées ou des maladies).
- Ne pas bloquer les sorties d'air.
- Ne placez pas le produit sur des surfaces molles où les ouvertures d'air pourraient être bloquées.
- Maintenez les ouvertures exemptes de peluches, de cheveux et d'autres matériaux.
- Ne poussez pas les boutons avec une force excessive et n'ouvrez pas le couvercle du siège avec une force excessive.
- Ne placez pas d'objets lourds sur la housse du siège.
- N'utilisez pas ce produit pendant le sommeil ou la somnolence.
- N'utilisez pas le produit à proximité de matériaux inflammables ou combustibles. inflammables ou combustibles.
- Débranchez et vidangez le produit s'il n'est pas utilisé pendant une longue période.
- N'utilisez pas de diluant, de benzène, de produits chimiques acides, de chlorure ou de détergent à base d'acide chlorhydrique pour nettoyer le produit, car cela

pourrait entraîner une corrosion ou une décoloration/rayures du produit.

- Vérifiez régulièrement que tous les raccords d'alimentation en eau ne présentent pas de fuites.
- Ne raccordez pas le produit à l'alimentation en eau chaude pendant l'installation.

AVERTISSEMENT : Ne pas se tenir debout sur le TUSHY Ace. Cela pourrait entraîner des dommages matériels, des blessures ou la mort.

AVERTISSEMENT CONCERNANT LE MARTEAU À EAU: Dans le cas où un fort bruit de claquement se produit dans la plomberie existante pendant l'installation, veuillez cesser d'utiliser l'appareil et de consulter un professionnel de la plomberie afin d'éviter d'annuler votre garantie et/ou d'endommager votre TUSHY Ace. Cet appareil est conforme à la partie 15 des règles de la FCC. Son utilisation est soumise aux deux conditions suivantes : (1) Cet appareil ne doit pas causer d'interférences nuisibles, et (2) cet appareil doit accepter toute interférence reçue, y compris les interférences qui peuvent causer un fonctionnement indésirable. Cet équipement a été testé et déclaré conforme aux limites d'un appareil numérique de classe B, conformément à la partie 15 des règles de la FCC. Ces limites sont conçues pour fournir une protection raisonnable contre les interférences nuisibles dans une installation résidentielle. Cet équipement génère, utilise et peut émettre de l'énergie de fréquence radio et, s'il n'est pas installé et utilisé conformément aux instructions, peut causer des interférences nuisibles aux communications radio. Cependant, il n'y a aucune garantie que des interférences ne se produira pas dans une installation particulière. Si cet équipement cause des interférences nuisibles à la réception de la radio ou de la télévision, ce qui peut être déterminé en éteignant l'appareil. télévision, ce qui peut être déterminé en éteignant et en allumant l'équipement, l'utilisateur est encouragé à essayer de corriger les interférences par l'une ou plusieurs des mesures suivantes : Réorienter ou déplacer l'antenne de réception. Augmentez la distance entre l'équipement et le récepteur. Connecter l'équipement à une prise sur un circuit différent de celui auquel le récepteur est connecté. circuit différent de celui auquel le récepteur est connecté. Consultez le revendeur ou un technicien radio/TV expérimenté pour obtenir de l'aide.

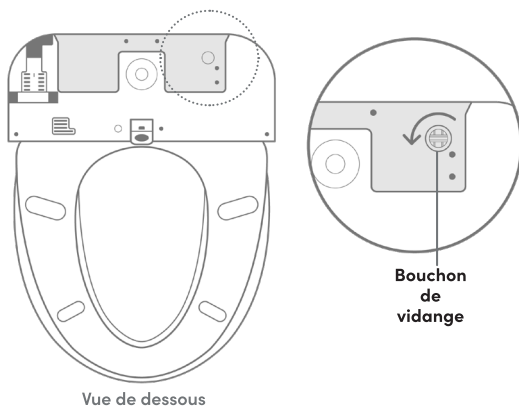
AVERTISSEMENT D'EXPOSITION: L'exposition à des températures extrêmes, à des produits chimiques puissants (par ex. : eau de Javel, acide chlorhydrique ou autres agents nettoyants agressifs), ou à une pression d'eau élevée peut endommager les composants du bidet, entraînant des dysfonctionnements tels que des fuites ou des inondations. N'utilisez pas, n'entreposez pas et n'appliquez en aucun cas de tels produits chimiques sur, autour ou à proximité du bidet ou de ses composants. Si vous pensez avoir utilisé ces produits, contactez-nous à l'adresse install@hellotushy.com afin d'obtenir des pièces de rechange. Veuillez toujours suivre les directives d'utilisation et d'entretien pour éviter tout dommage. Consultez les instructions de nettoyage dans la section Entreposage et Nettoyage.

IMPORTANT: Inspection annuelle et détection des dommages. Inspectez chaque année votre bidet, ses adaptateurs, tuyaux et autres pièces afin de détecter d'éventuelles fissures, fuites, des signes de rouille, des déchirures ou tout autre signe de stress ou de dommage. Si vous constatez l'un de ces problèmes ou observez tout autre signe de dommage, coupez l'alimentation en eau et débranchez le bidet. Cessez de l'utiliser et contactez-nous à l'adresse install@hellotushy.com pour obtenir des pièces de rechange. Nous nous occuperons de tout ! En cas de doute, il est recommandé de remplacer les tuyaux et les conduites tous les 4 ans afin de maintenir des performances optimales et garantir un fonctionnement sécuritaire.

Stockage et Nettoyage

Stockage ou déplacement de votre TUSHY Ace

Pour désinstaller votre TUSHY Ace, fermez votre vanne d'eau, débranchez la prise de courant, débranchez votre tuyau flexible TUSHY Ace, débranchez votre adaptateur de réservoir, et utilisez le bouton de détachement pour faire glisser votre TUSHY Ace hors de la plaque de montage.



Vidangez votre TUSHY Ace avant de le ranger ou de le déplacer en repérant le bouchon de vidange situé sous l'appareil. À l'aide d'un tournevis à tête plate, tournez le bouchon d'un quart de tour dans le sens inverse des aiguilles d'une montre pour ouvrir le drain. Le bouchon ne s'enlève pas complètement. Videz l'appareil dans les toilettes, une baignoire ou un évier, puis resserrez le bouchon avant de le ranger.

Nettoyage de votre TUSHY Ace

Vous devez nettoyer votre TUSHY Ace aussi souvent que vous nettoyez votre toilette avec un nettoyant doux, à pH neutre. Les produits de nettoyage que nous recommandons sont Simple Green, Dr. Bronner's ou tout autre savon qui n'est pas trop dur ou caustique. Si vous avez le moindre doute, envoyez une photo de l'étiquette à aceinstall@hellotushy.com, et nous pourrions confirmer que qu'il s'agit d'un bon produit !

⚠ ATTENTION : Évitez d'utiliser des produits chimiques agressifs tels que l'eau de Javel ou des produits contenant de l'eau de Javel sur les tuyaux d'eau de votre TUSHY. Ces produits peuvent provoquer des fissures dans les tuyaux, entraînant des fuites et des dégâts des eaux.

— Dépannage

Mes boutons TUSHY Ace ne semblent pas fonctionner.

Causes possibles:

1. Le TUSHY Ace n'est pas branché.
2. Le TUSHY Ace n'est pas alimenté.
3. Il y a du courant, mais les piles de la télécommande sont mortes.
4. Le capteur de siège n'est pas activé.

Solutions possibles:

1. Assurez-vous que le TUSHY Ace est branché.
2. Vérifiez et réinitialisez la prise GFCl.
3. Remplacez les piles de la télécommande. Effectuez ensuite une réinitialisation sur la télécommande.
4. Ajustez la position assise pour couvrir complètement le capteur de siège.

L'eau est trop chaude.

Causes possibles:

1. Le réglage de la température est trop élevé.
2. Le TUSHY Ace peut être connecté à l'alimentation en eau chaude.

Solutions possibles:

1. Ajuste le réglage de la température sur la télécommande.
2. Connectez le TUSHY Ace au alimentation en eau froide.

TUSHY Ace éteint pendant l'utilisation.

Causes possibles:

1. Le temps de lavage a dépassé la durée du cycle.
2. Panne de courant.

Solutions possibles:

1. Appuyez à nouveau sur le bouton pour prolonger la durée du cycle.
2. Vérifiez et réinitialisez la prise GFCl.

Il y a une fuite au niveau du corps du TUSHY Ace ou de raccords de tuyaux.

Causes possibles:

1. Le ou les joints en caoutchouc noir ne sont pas correctement installés sur le tuyau ou les adaptateurs.
2. Le raccord du tuyau est fileté en croix.

Solutions possibles:

1. Assurez-vous que le ou les joints noirs sont correctement installés aux deux extrémités du tuyau flexible TUSHY Ace et de l'adaptateur de réservoir.
2. Dévissez le tuyau et revissez-le en vous assurant que le joint noir est bien installé.

3. Il y a du ruban téflon sur les filets.

3. Retirez toute la bande de téflon des filets et réinstallez.

L'adaptateur du réservoir n'est pas de la même taille que mon tuyau de raccordement aux toilettes.

Causes possibles:

1. Nous parions que vous avez une installation de plomberie unique.

Solutions possibles:

1. Contactez notre Poo-Rus d'installation TUSHY Ace à aceinstall@hellotushy.com et nous vous aiderons à vous installer !

Il n'y a pas d'accès à l'eau à côté de mes toilettes.

Causes possibles:

1. Vous disposez d'une toilette de type Flushometer ou commerciale.

Solutions possibles:

1. Contactez nos Poo-Rus si vous avez besoin d'aide pour l'installation sur des toilettes à chasse d'eau.

2. Vous avez des toilettes à jupe.

2. Allez sur le site hellotushy.com pour obtenir des conseils sur la manière de connecter ces toilettes avec l'adaptateur de valve.

3. Vous avez une toilette murale ou une plomberie unique qui ne vous permet pas de vous connecter au robinet d'eau au mur.

3. Contactez notre TUSHY Ace installent Poo-Rus à aceinstall@hellotushy.com et nous vous aiderons à l'installer !

Still not getting the Ace experience?

Drop us an email at aceinstall@hellotushy.com—we won't stop until your butt is beaming.

— Garantie Limitée d'un An

1. TUSHY garantit que ce produit est exempt de défauts de matériaux et de fabrication dans des conditions d'utilisation normales pendant une période d'un (1) an à compter de la date d'achat. Période d'un (1) an à compter de la date d'achat. Cette garantie s'étend uniquement à l'acheteur initial et n'est pas transférable si l'acheteur initial vend ou transfère autrement le produit. TUSHY peut exiger une preuve d'achat pour déterminer si une réclamation relève de la période de garantie.
2. Pour signaler tout problème lié au produit et pour ouvrir une réclamation au titre de la garantie, contactez TUSHY à l'adresse warranty@hellotushy.com. TUSHY vous contactera pour tenter de résoudre le problème.
3. En cas de défaut couvert par cette garantie, les obligations de TUSHY dans le cadre de cette garantie sont limitées à la réparation ou au remplacement, au choix de TUSHY, à condition que ces produits aient été utilisés conformément aux instructions. Le remplacement peut se faire par un produit identique ou similaire, à la discrétion de TUSHY et en fonction de la disponibilité. TUSHY se réserve le droit d'inspecter le produit pour confirmer que le problème est couvert par cette garantie.
4. TUSHY n'est pas responsable du coût de l'expédition de retour de ce produit.
5. Cette garantie ne s'applique PAS à:
Dommages, pertes ou blessures résultant d'une utilisation négligente ou incorrecte ou du non-respect des instructions et des avertissements de sécurité par l'utilisateur.
Dommages ou pertes résultant d'une modification du produit.
Les dommages ou pertes résultant de l'usure normale du produit.
Les dommages basés sur des réclamations pour blessures corporelles ou dommages matériels, y compris, mais sans s'y limiter, les dommages réclamés qui sont accessoires ou consécutifs par nature.

6. CETTE GARANTIE ÉCRITE EST LA SEULE GARANTIE OFFERTE PAR TUSHY. LA RÉPARATION OU LE REMPLACEMENT TEL QUE PRÉVU DANS LE CADRE DE CETTE GARANTIE SERA LE SEUL RECOURS DISPONIBLE POUR LE CONSOMMATEUR.

TUSHY NE SERA PAS RESPONSABLE DE LA PERTE D'UTILISATION DU PRODUIT OU D'AUTRES DOMMAGES OU DÉPENSES ACCIDENTELS, SPÉCIAUX OU CONSÉCUTIFS ENCOURUS PAR L'ACHETEUR OU UN TIERS, OU DE TOUTE AUTRE DÉPENSE NON SPÉCIFIQUEMENT INDIQUÉE CI-DESSUS. SAUF DANS LA MESURE INTERDITE PAR LA LOI APPLICABLE, TOUTES LES GARANTIES IMPLICITES, Y COMPRIS CELLES DE QUALITÉ MARCHANDE ET D'ADÉQUATION À UN USAGE PARTICULIER, SONT EXPRESSÉMENT LIMITÉES À LA DURÉE DE LA PRÉSENTE GARANTIE. CERTAINS ETATS N'AUTORISENT PAS LES LIMITATIONS, DE SORTE QUE LA LIMITATION ET L'EXCLUSION CI-DESSUS PEUVENT NE PAS S'APPLIQUER A VOTRE CAS.

7. Cette garantie vous donne des droits légaux spécifiques, et vous pouvez également avoir d'autres droits qui varient d'un état à l'autre.

SPÉCIFICATIONS TECHNIQUES

Dimensions: 19.61"L x 16.90"W x 6.09"H (Rond)
21.05"L x 16.90"W x 6.35"H (Allongé)

Poids: 9.9lbs

Alimentation électrique nominale: 120 VAC, 60Hz
Consommation électrique maximale nominale: 864 W
Longueur du cordon d'alimentation: 47.25"

Température maximale de l'eau: 107.6F
Température maximale du siège: 107.6F
Température maximale du séchoir: 131F



YOUR MAJESTY, YOUR
THRONE AWAITS

Rencontrez les TUSHY Poo-Rus

GÉNÉRALITÉS

Dites bonjour ! Des commentaires ! Compliments !

Jeux de mots sur les fesses !

hello@hellotushy.com

QUESTIONS SUR LE TUSHY

Vous avez des questions d'ordre général, par exemple sur les options d'expédition ou la disponibilité des produits:

questions@hellotushy.com

SUPPORT D'INSTALLATION

Besoin d'un branchement avec le branchement ? Aide à l'installation, pièces détachées et dépannage:

install@hellotushy.com

GESTION DES ABONNEMENTS

Changez d'adresse, modifiez la fréquence ou annulez en vous connectant sur hellotushy.com

RETOURS

Le renvoyer ? ! OK, je suppose:

hellotushy.com/returns

Nous nous plions en quatre pour vos arrières.

Envoyez un courriel à install@hellotushy.com pour obtenir de l'aide.



@hellotushy

