

Kitty Tower Playground

Get ready to spoil your feline friend with the ultimate playground that's designed for endless fun, comfort, and durability. Whether it's scaling the sisal pillars, lounging in the plush hammocks, or testing their agility on the rotating platforms, your cat will be entertained for hours. And when playtime's over, the cozy basket beds and private snug provide the purrfect spot to unwind.

Crafted with tough-wearing materials to handle even the most energetic cats, this tower is built to last.

BEST BITS:

- ✓ 2 x plush hammocks
- ✓ Hanging play rope
- ✓ Rotating outer platforms
- ✓ Snuggly plush basket bed
- ✓ Strong, top-quality sisal scratch posts
- ✓ Removable cushions for easy cleaning
- ✓ Sturdy frame built to last and handle tough play

MATERIAL

Furniture grade fabric and tough-wearing sisal.

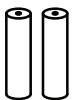
FINISHED SIZE:

Width: 60cm Depth: 80cm Height: 195cm



PARTS INCLUDED:

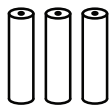
2 x 28cm posts



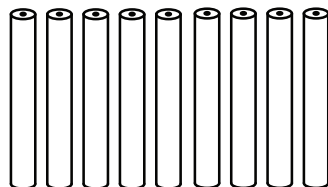
1 x 29cm post



3 x 30cm posts



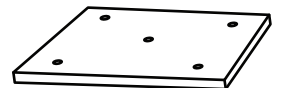
9 x 60cm posts

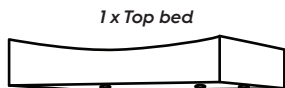
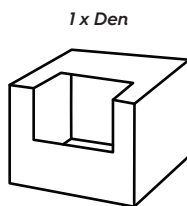
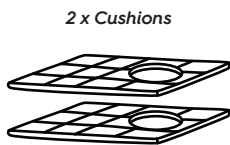
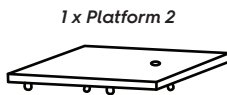
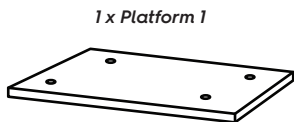


1 x Hanging play rope



1 x Base





Hardware included:

A 11 x Double-headed screws (+1 spare)



B 7 x 40cm Screws



C 8 x 60cm Screws



4 x Washer



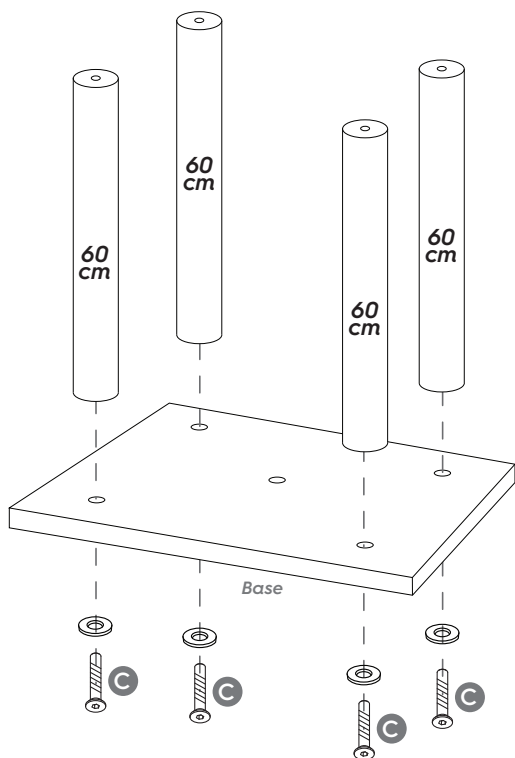
1 x Allen Key



Assembly Instructions

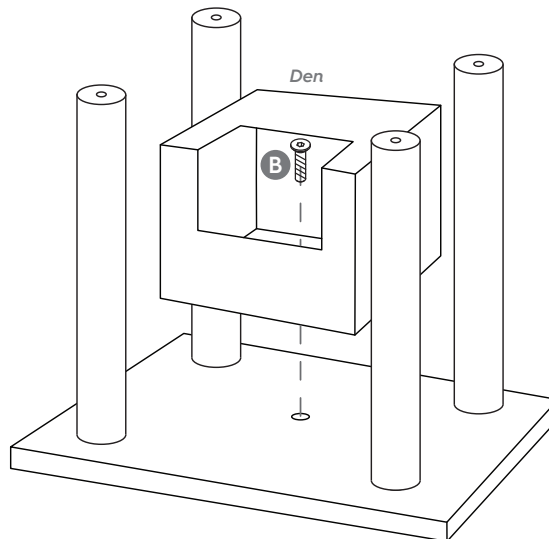
Step 1:

Tighten the 60cm posts to the base with washers and **C** screws as shown.



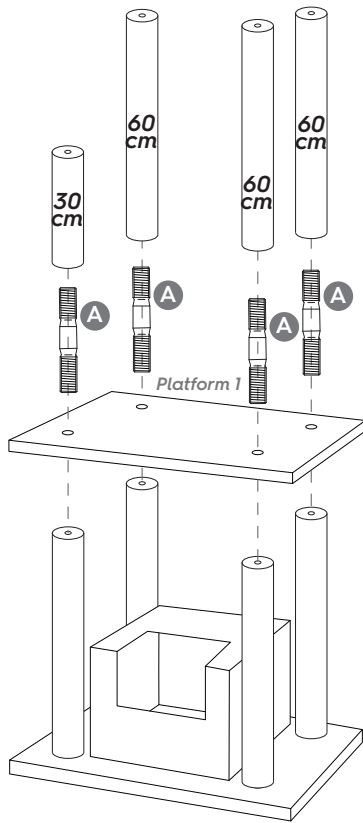
Step 2:

Secure the den to the base with a **B** screw.



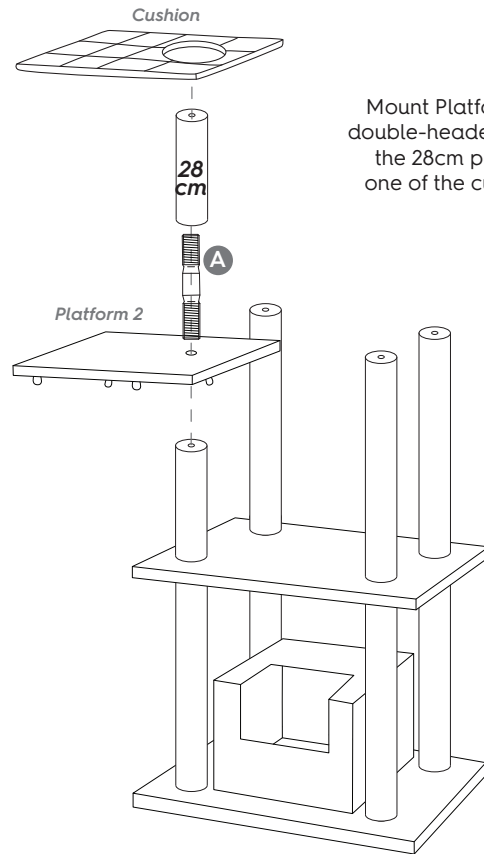
Step 3:

Mount Platform 1 by attaching the 30cm post and the 60cm posts with **A** double-headed screws.



Step 4:

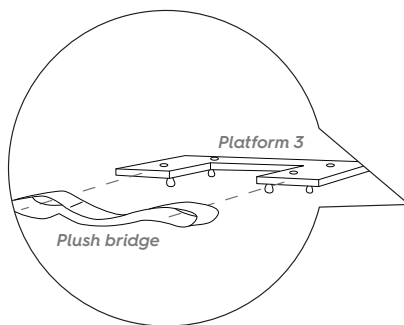
Mount Platform 2 using **A** double-headed screws and the 28cm post. Then, slide one of the cushions on top.



Step 5:

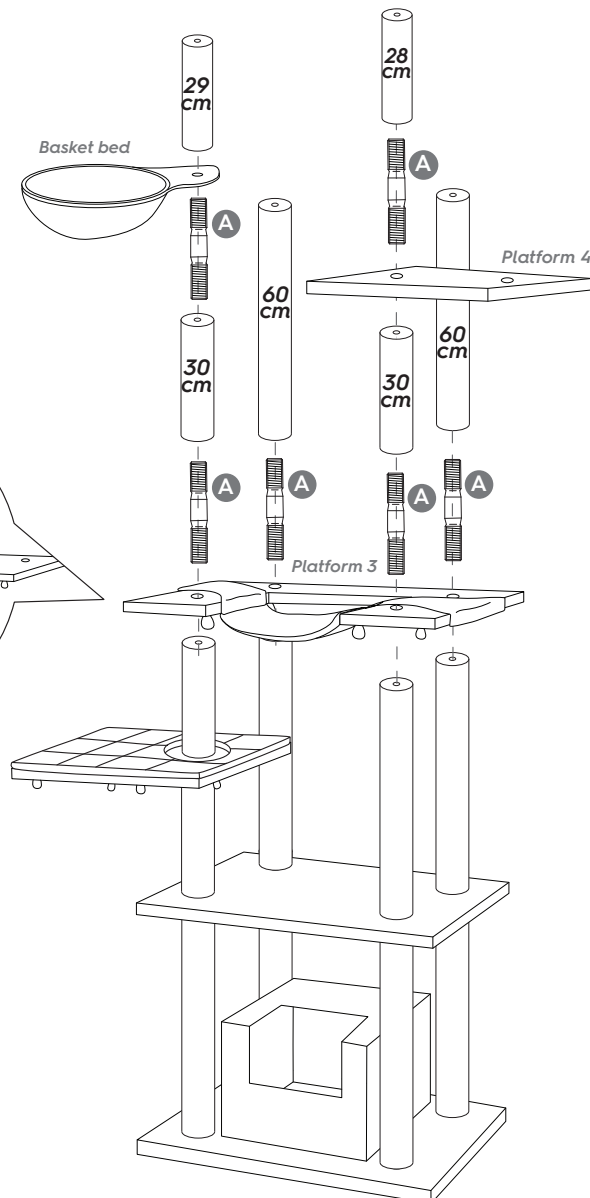
Slide the plush bridge onto Platform 3.

Then, mount Platform 3 by attaching the 30cm posts and the 60cm posts with **A** double-headed screws.



Step 6:

Secure Basket bed with the **A** double-headed screws.



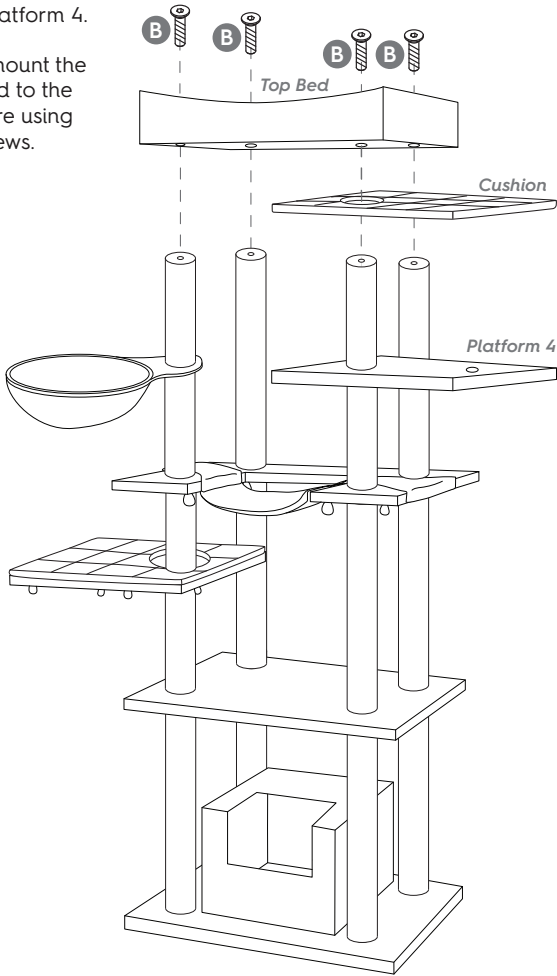
Step 7:

Attach Platform 4 with the **A** double-headed screw and the 28cm post.

Step 8:

Slide Cushion onto Platform 4.

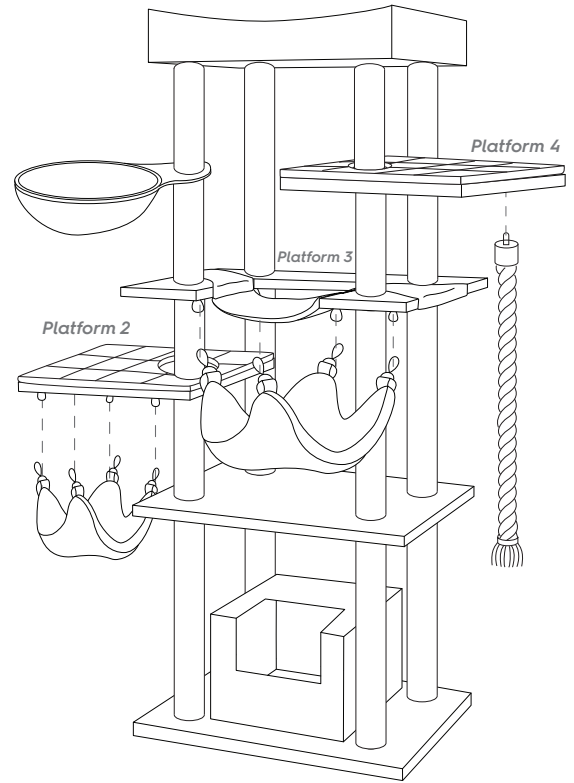
Then, mount the Top bed to the structure using **B** screws.



Step 9:

Screw the sisal rope underneath Platform 4.

Finish by attaching the small hammock to Platform 2 and the large hammock to Platform 3.



Watch our cat playground come to life!



Find out more
kazoo.com.au

Say hi!
@kazoopet

Share the Love
#kazoopet