

Making tails wag

Kitty Climb Playground

You've just secured the ultimate throne for your feline royalty. With six levels to climb, jump, and swing, plus a plush hammock and cosy sleeping den, your cat will be living like the king or queen they truly are. The sturdy sisal scratch posts aren't just for fun—they help keep claws sharp, muscles stretched, and territory properly marked.

Crafted from tough, high-quality materials, the Kitty Climb Playground is built to handle even the most active cats (perfect for big breeds like Maine Coons).

BEST BITS:

- ✓ Plush hammock
- ✓ Sleeping den
- ✓ 6 levels for climbing, jumping and swinging!
- ✓ Strong, top-quality sisal scratch posts
- ✓ Sturdy frame built to last and handle tough play
- ✓ Ideal for big cats and active cats like Maine Coons and Bengals
- ✓ Sleeping den for hiding and quiet time

MATERIAL

Furniture grade plush fabric. High quality, tough-wearing sisal.

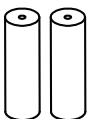
FINISHED SIZE:

Width: 70cm Depth: 60cm Height: 178cm

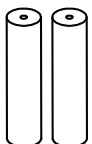


PARTS INCLUDED:

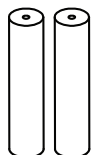
2 x 18cm Post



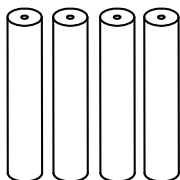
2 x 28cm Post



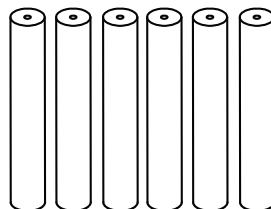
2 x 30cm Post



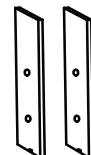
4 x 40cm Post



6 x 60cm Post

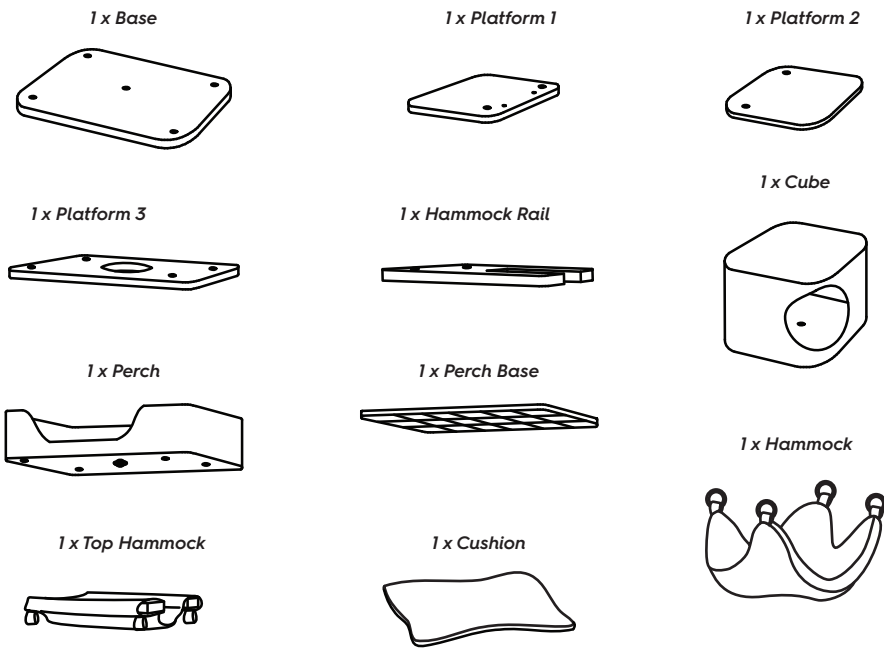


2 x Railing



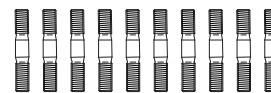
1 x Sisal Rope





Hardware included:

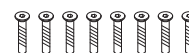
A 10 x Double-Headed Screws



B 7 x 40cm Screws



C 8 x 60cm Screws



4 x Washer



1 x Allen Key

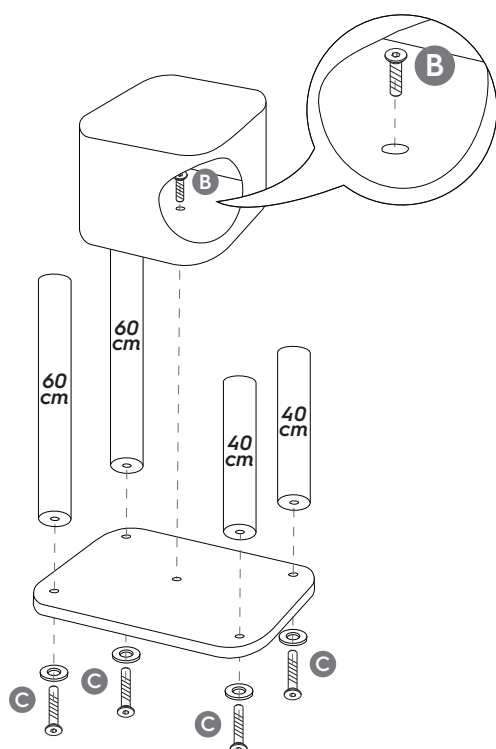


Assembly Instructions

Step 1:

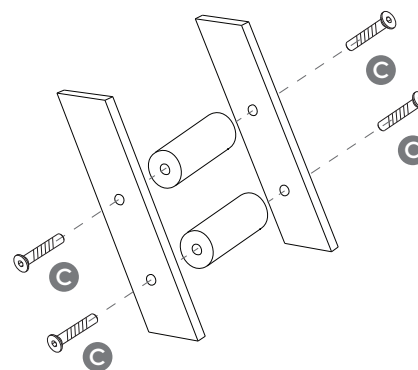
Attach the den to the base using a **B** screw.

Fix the 60cm and 40cm posts to the base with washers and **C** screws, as shown.



Step 2:

Build the ladder by anchoring the stair railings with the **C** screws.

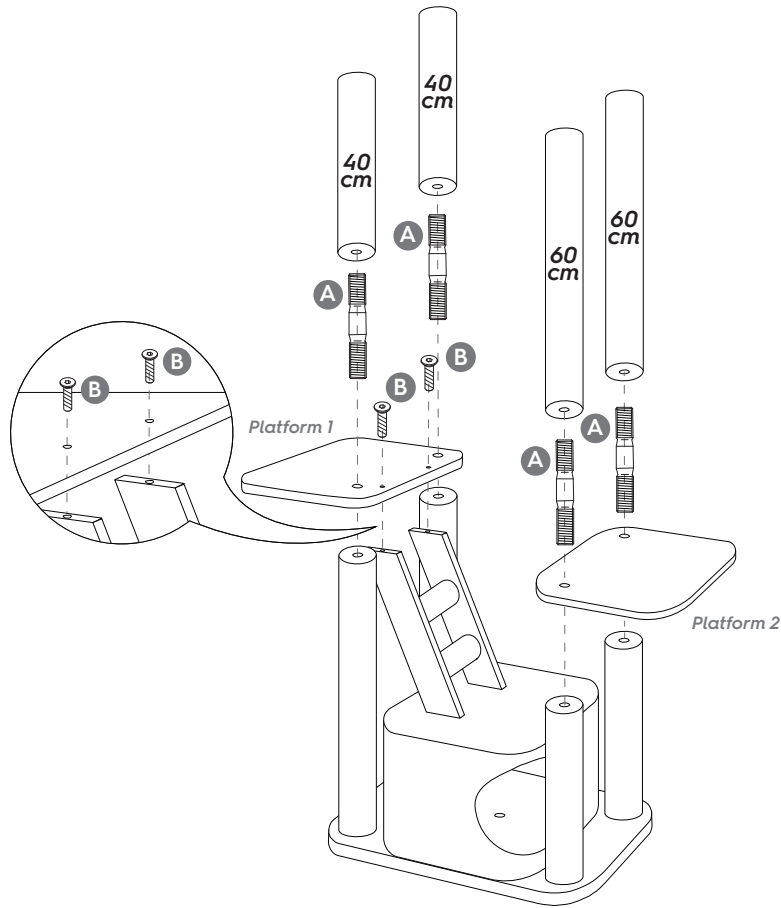


Assembly Instructions

Step 3:

Mount platform 1 to the structure with 40cm posts and **A** double-headed screws.

Then, use **B** screws to anchor the ladder underneath platform 1.

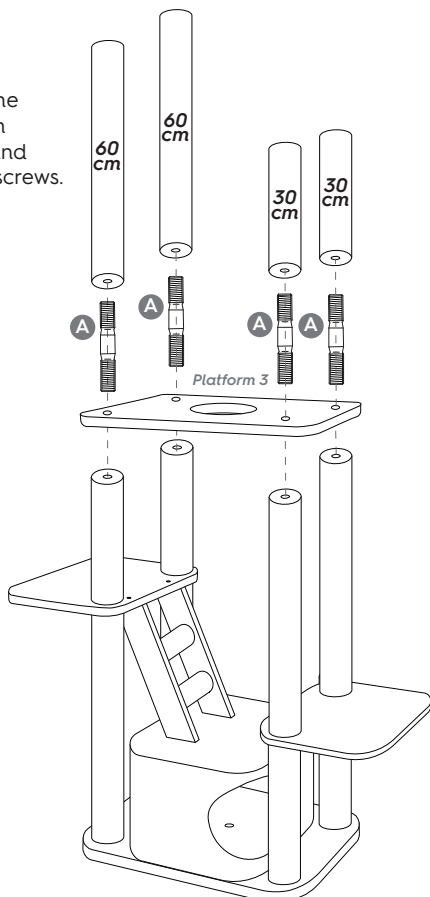


Step 4:

Mount platform 2 to the structure with the 60cm posts and **A** double-headed screws.

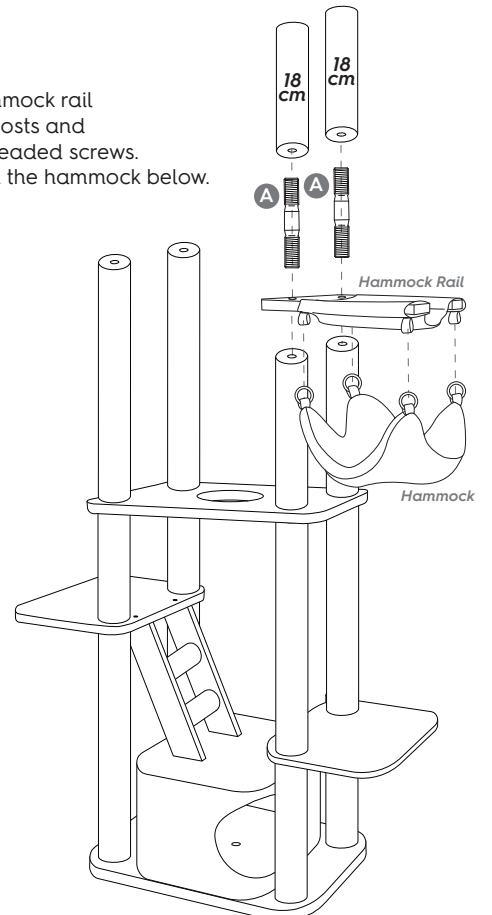
Step 5:

Lock platform 3 to the structure using 60cm posts, 30cm posts, and **A** double-headed screws.



Step 6:

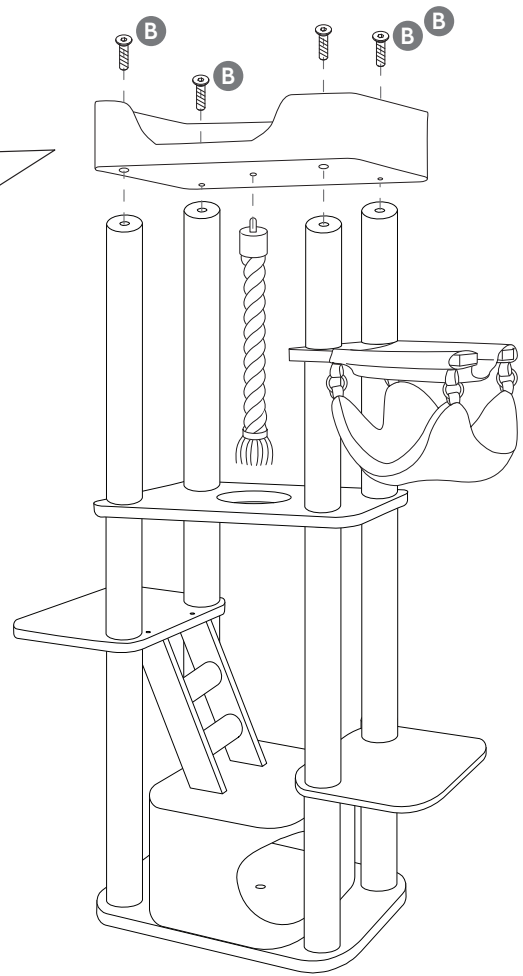
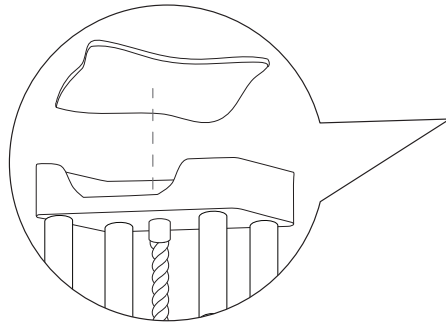
Position hammock rail using 18cm posts and **A** double-headed screws. Then, clip on the hammock below.



Step 7:

Screw in the sisal rope underneath the perch.

Attach the perch to the structure using **B** screws, then place the cushion on top.



Watch our cat
playground
come to life!



Find out more
kazoo.com.au

Say hi!
@kazoopet

Share the Love
#kazoopet