

## Kitty 7 Level Playground

Your cat has officially reached top-tier status with this deluxe 7-level wonderland. Packed with all the essentials for play and rest, it features a plush sleeping den, two comfy beds, sisal scratch posts, a hanging rope, and even a playful mouse on a stretch rope for endless entertainment. With seven levels to climb, jump, and explore, this playground offers non-stop fun for curious and active cats.

Built with high-quality materials, the Kitty 7 Level Playground is designed to keep your feline entertained and your furniture safe.

### BEST BITS:

- ✓ Plush sleeping den
- ✓ Play mouse on stretch rope
- ✓ 2 x snuggly plush beds
- ✓ Hanging woven rope for curious claws
- ✓ Sturdy frame built to last and handle tough play
- ✓ Strong, top-quality sisal scratch posts

### MATERIAL

Furniture grade plush fabric, high quality tough-wearing sisal.

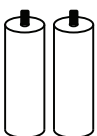
### FINISHED SIZE:

Width: 60cm Depth: 50cm Height: 158cm

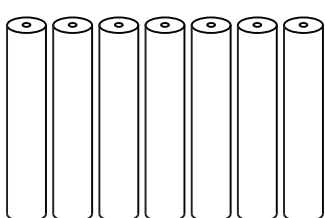
### PARTS INCLUDED:

.....

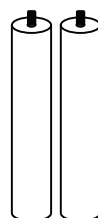
2 x 25cm post



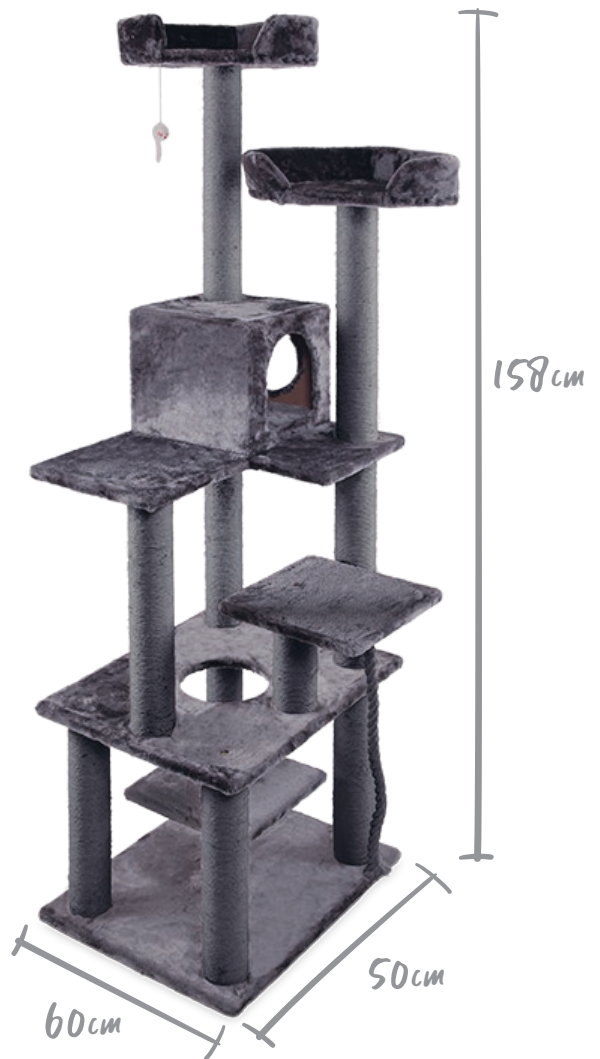
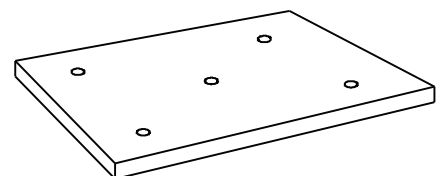
7 x 50cm post



2 x 50cm post with extrusion



1 x Base

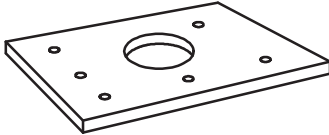


Hardware included:

1 x Platform 1



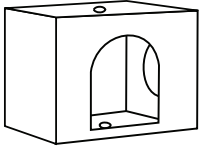
1 x Platform 2



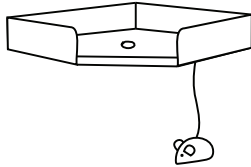
1 x Platform 3



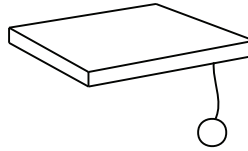
1 x Den



2 x Bed with mouse



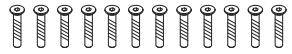
1 x Platform with playing ball



A 3 x Double-headed screw



B 11 x 40mm screws (+1 spare)



C 1 x 60mm screw



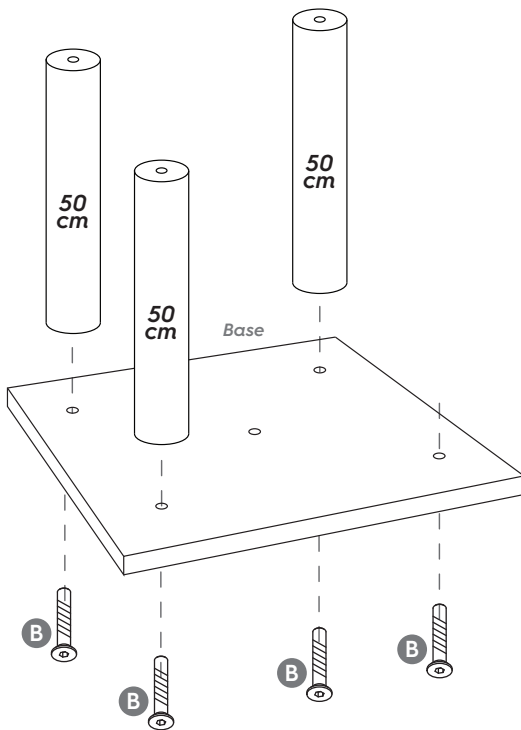
1 x Allen Key



## Assembly Instructions

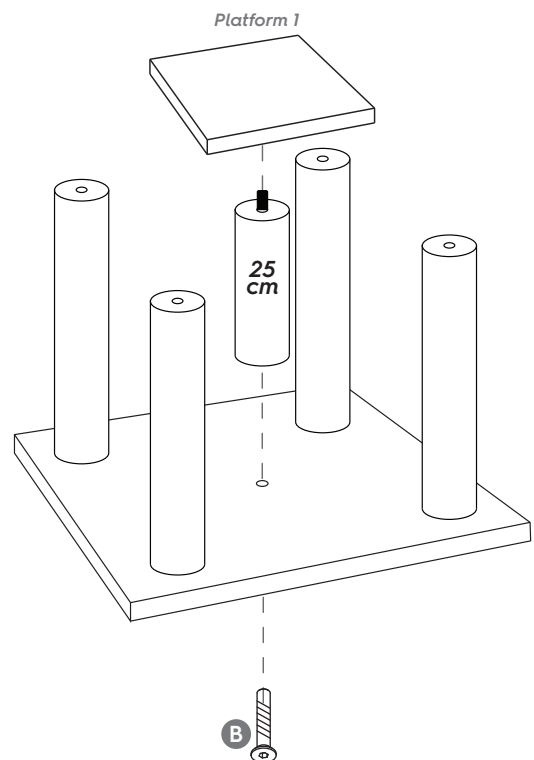
### Step 1:

Secure the base to the 50cm posts with **B** screws.



### Step 2:

Attach the 36cm posts and basket to the base with **A** double-headed screws.

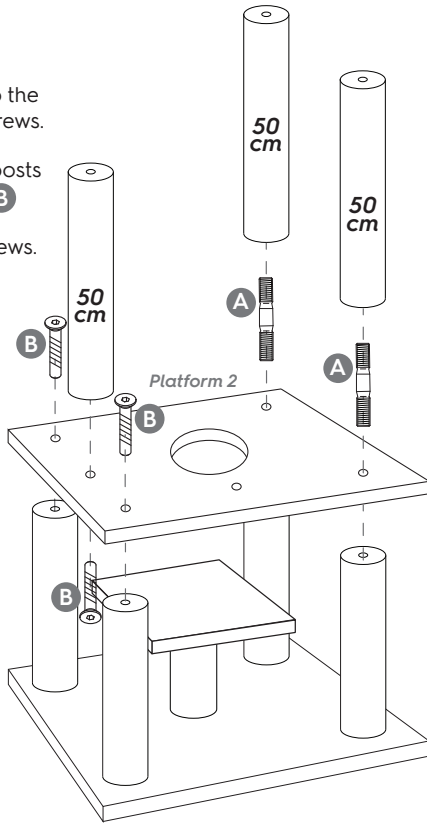


# Assembly Instructions

## Step 3:

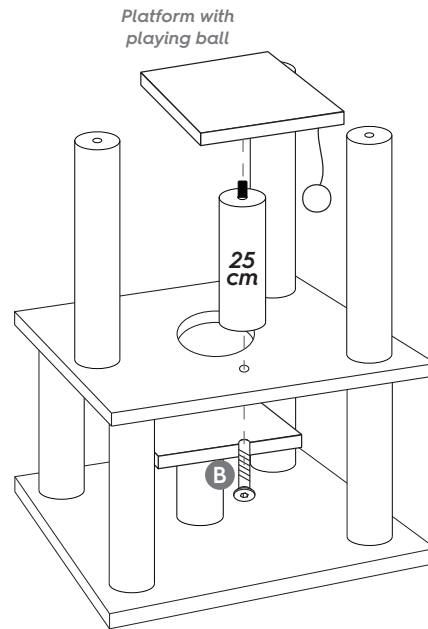
Mount platform 2 to the structure with **B** screws.

Then attach 50cm posts to platform 2 with **B** screws and **A** double-headed screws.



## Step 4:

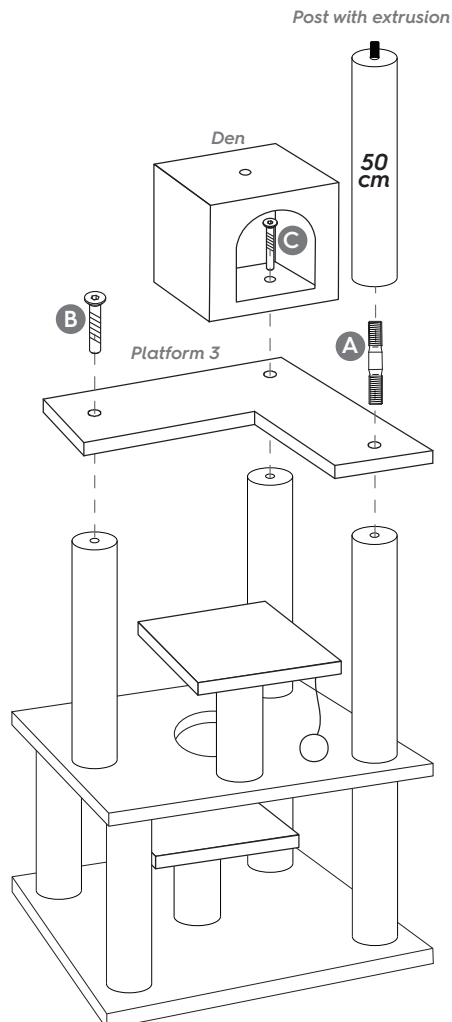
Anchor platform with playing ball to the structure using a 25cm posts and **B** screw.



## Step 5:

Mount platform 3 to the structure with a **B** screw, a 50cm post with extrusion and **A** double-headed screw.

Then, lock in the den on top with a **C** screw.



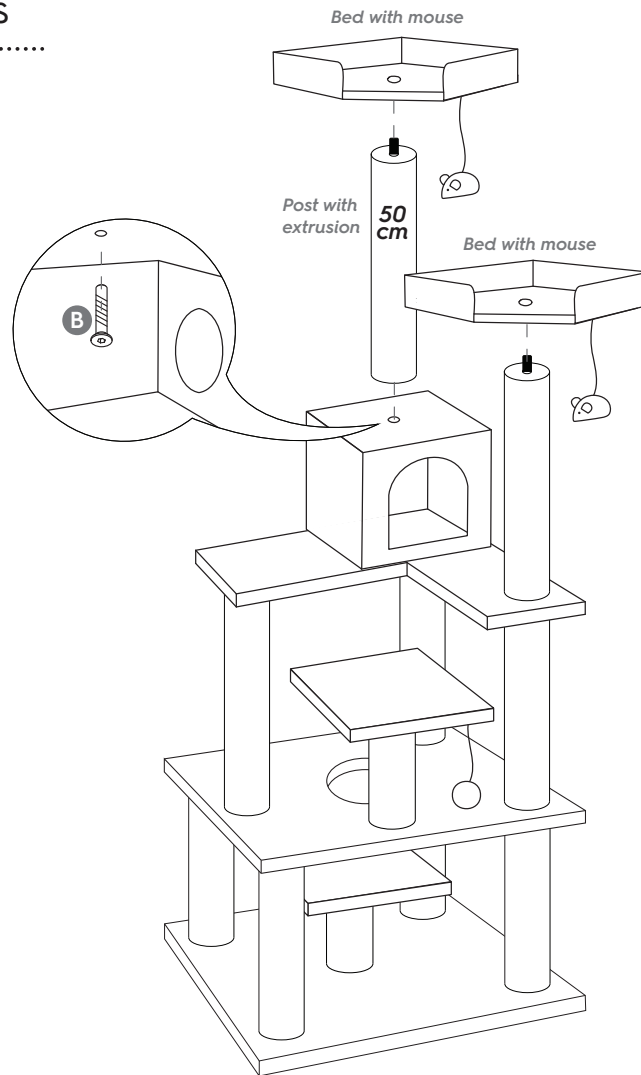
# Assembly Instructions

---

## Step 6:

Place 50cm post with extrusion on top of the den with a **B** screw.

To finish, screw in both beds with mouse on top of the structure.



Watch our cat playground come to life!



Find out more  
kazoo.com.au

Say hi!  
@kazoopet

Share the Love  
#kazoopet