

Making tails wag

Kitty Scratch & Sleep Post

Your cat's simple pleasures—scratching and snoozing—are about to reach new heights. With a sturdy sisal scratchboard and a playful hanging rope, they can keep their claws sharp and an active brain. When it's time to wind down, the plush pouch bed offers the ultimate spot for a cosy catnap.

Built with durable, high-quality materials, the Kitty Scratch & Sleep Post is designed to handle all the scratching, playing, and lounging your cat can throw at it.

BEST BITS:

- ✓ Plush pouch bed
- ✓ Hanging play rope
- ✓ Strong, top-quality sisal scratchboard and posts
- ✓ Removable cushion for easy wash
- ✓ Sturdy frame built to last & handle tough play

MATERIAL

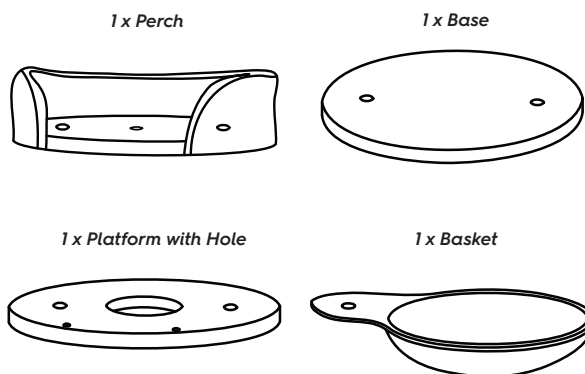
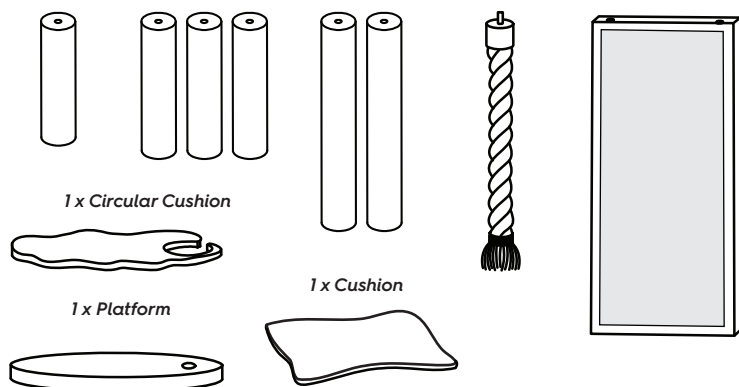
Furniture grade plush fabric. High quality, tough-wearing sisal

FINISHED SIZE:

Width: 60cm Depth: 60cm Height: 141cm

PARTS INCLUDED:

1 x 29cm Post 3 x 30cm Post 2 x 60cm Post 1 x Sisal Rope 1 x Scratching Ramp



Hardware included:

A 10 x Double-Headed Screws



B 2 x 35cm Screws



C 2 x 40cm Screws



D 2 x 60cm Screws



2 x Washer



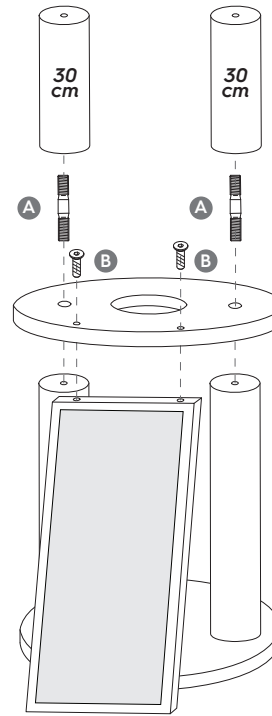
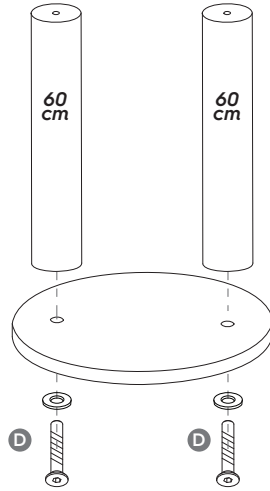
1 x Allen Key



Assembly Instructions

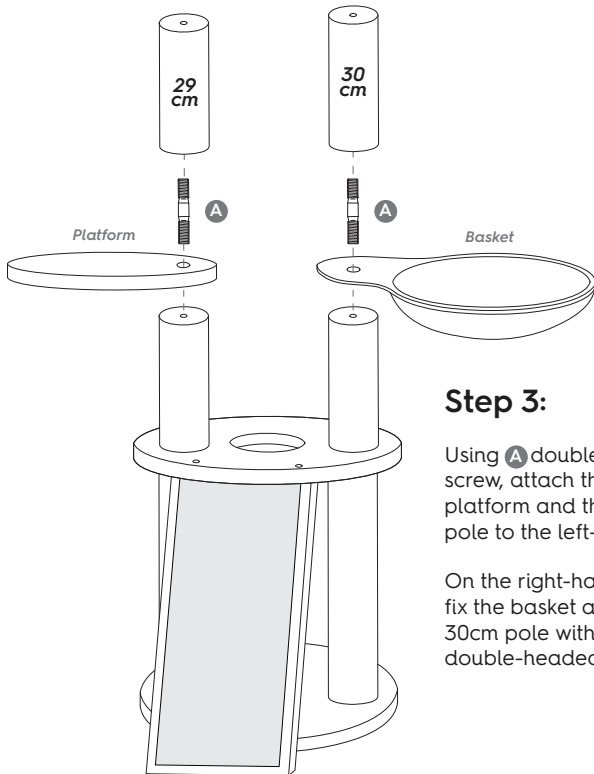
Step 1:

Attach 60cm poles to the base with **D** screws and washers.



Step 2:

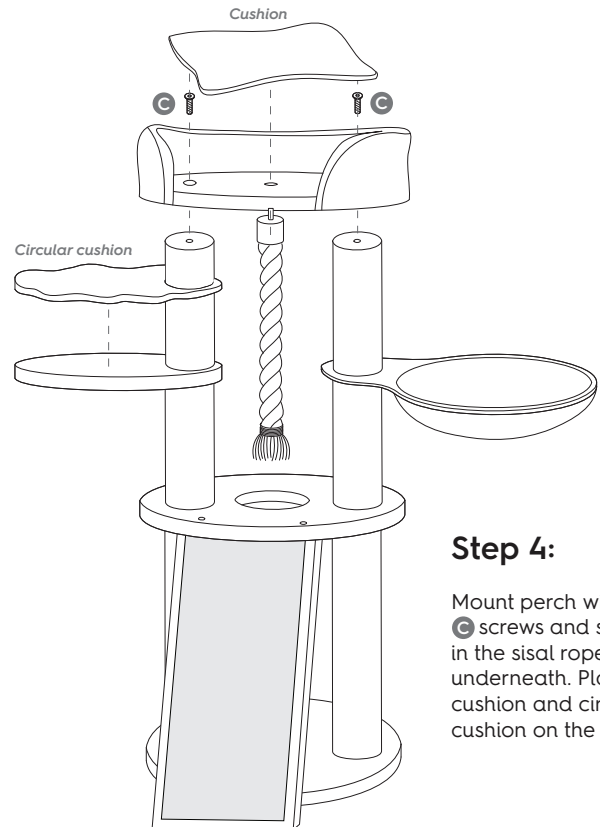
Anchor scratching ramp with **B** screws under the platform with hole. Secure 30cm poles on top with **A** double-headed screws



Step 3:

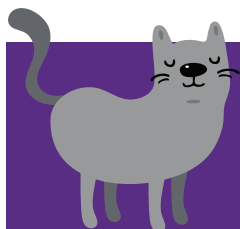
Using **A** double-headed screw, attach the platform and the 29cm pole to the left-hand side.

On the right-hand side, fix the basket and the 30cm pole with **A** double-headed screw.



Step 4:

Mount perch with the **C** screws and screw in the sisal rope underneath. Place cushion and circular cushion on the platform.



Watch our cat playground come to life!



Find out more - kazoo.com.au

Say hi! @kazooPET

Share the Love ♡ #kazooPET ♡