

## Corner 3 Level Playground

Your cat now has their own stylish, space-saving playground that's packed with everything they need to feel like royalty. With sturdy sisal scratch posts for claws-on fun and a plush cushion bed for regal catnaps, this compact design fits perfectly in the corner of your room without sacrificing playtime or comfort.

Built tough for active cats, the Corner 3 Level Playground is the perfect blend of practicality and feline luxury.

### BEST BITS:

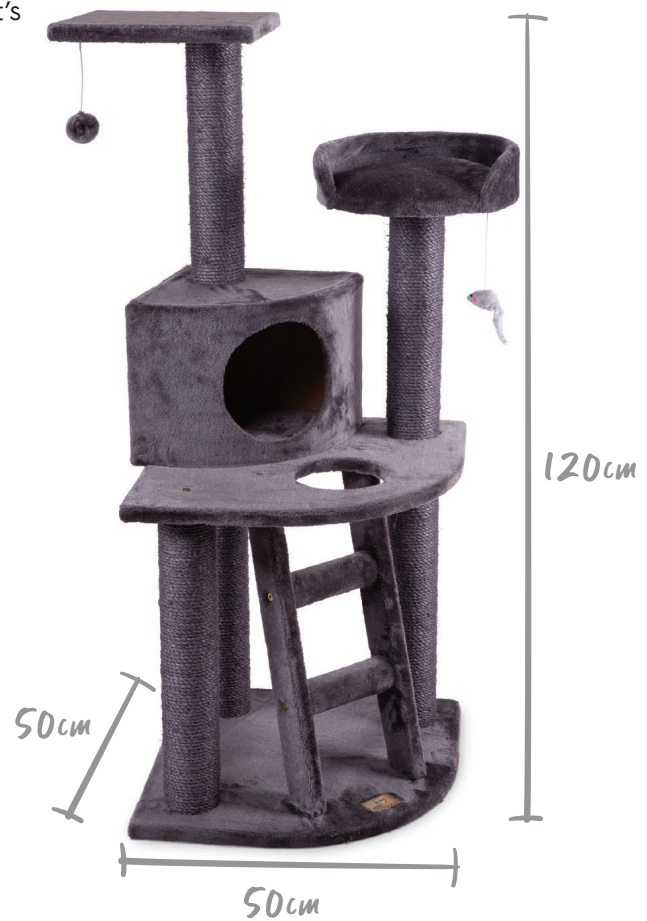
- ✓ Play mouse on stretch string
- ✓ Strong, top-quality sisal scratch posts
- ✓ Plush sleeping den
- ✓ Sturdy frame built to last and handle tough play

### MATERIAL

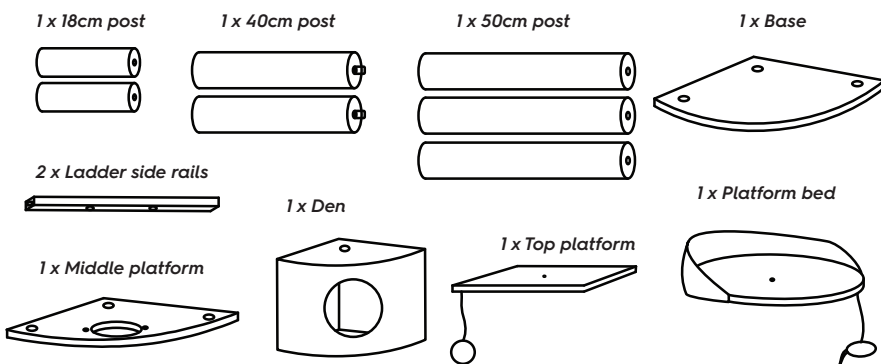
Furniture grade plush fabric, high quality tough-wearing sisal.

### FINISHED SIZE:

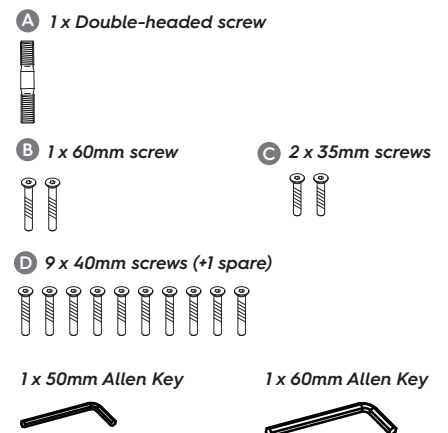
Width: 50cm Depth: 50cm Height: 120cm



### PARTS INCLUDED:



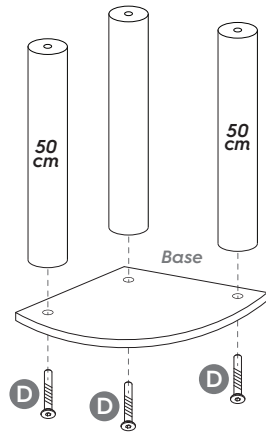
### Hardware included:



# Assembly Instructions

## Step 1:

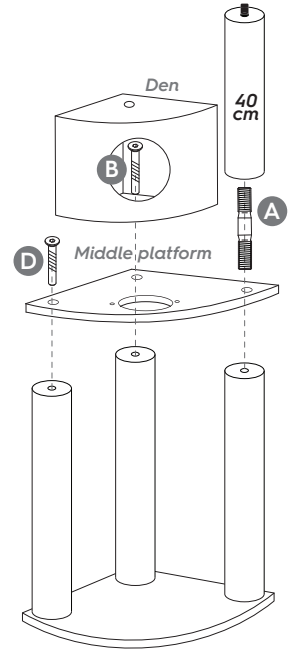
Secure the 50cm post to the base with the **D** screws.



## Step 2:

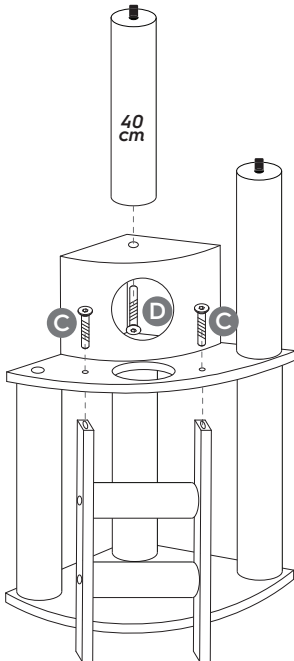
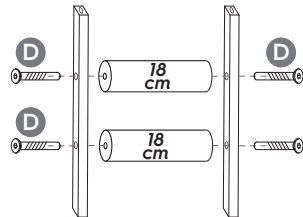
Attach the middle platform to the structure using a **D** screw, the 40cm post and an **A** double-headed screw.

Then mount the den on top with a **B** screw.



## Step 3:

Assemble the ladder by attaching the 18cm posts to the ladder side rails with 40mm screws.



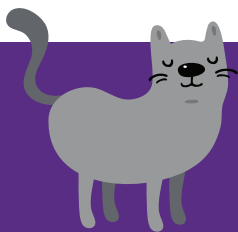
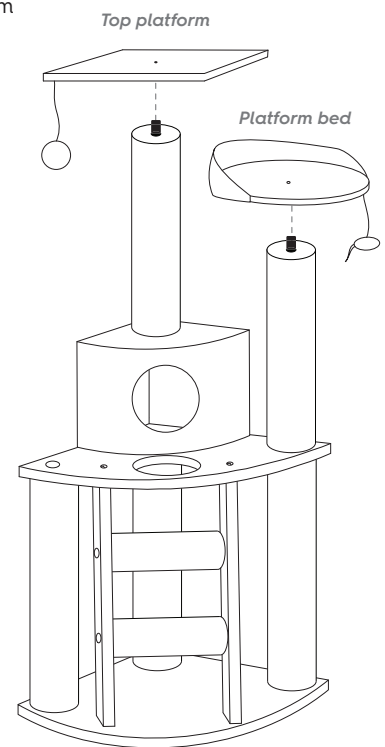
## Step 4:

Anchor the ladder with the **C** screws.

Then secure a 40cm post on top of the den with a **D** screw.

## Step 5:

Screw in the top platform and platform bed to the structure.



Watch our cat playground come to life!



Find out more  
kazoo.com.au

Say hi!  
@kazooPET

Share the Love  
#kazooPET